



US00D522049S

(12) **United States Design Patent**
Ishizawa et al.

(10) **Patent No.:** **US D522,049 S**

(45) **Date of Patent:** **** May 30, 2006**

- (54) **INK CARTRIDGE FOR PRINTER**
- (75) Inventors: **Taku Ishizawa**, Suwa (JP); **Tetsu Nakayama**, Suwa (JP); **Takeo Seino**, Suwa (JP); **Hitotoshi Kimura**, Suwa (JP)
- (73) Assignee: **Seiko Epson Corporation**, Tokyo (JP)
- (**) Term: **14 Years**
- (21) Appl. No.: **29/198,960**
- (22) Filed: **Feb. 6, 2004**
- (30) **Foreign Application Priority Data**
 Aug. 8, 2003 (JP) 2003-023182
- (51) **LOC (8) Cl.** **18-02**
- (52) **U.S. Cl.** **D18/56; 347/86**
- (58) **Field of Classification Search** D18/40,
 D18/43, 56; 347/86, 87
 See application file for complete search history.

- 5,666,146 A 9/1997 Mochizuki et al.
- D423,043 S 4/2000 Ishigami et al.
- 6,053,606 A 4/2000 Yamaguchi et al.
- 6,106,111 A 8/2000 Taneya et al.
- 6,106,112 A 8/2000 Okubo et al.
- D439,925 S 4/2001 Santhanam et al.
- D442,626 S 5/2001 Barouh et al.
- D442,990 S 5/2001 Barouh et al.
- D447,169 S 8/2001 Okubo et al.
- D464,672 S * 10/2002 Shinano et al. D18/56
- D466,925 S 12/2002 Ishizawa et al.
- D477,020 S 7/2003 Seino
- D489,757 S * 5/2004 Matsumoto D18/56
- D490,846 S * 6/2004 Suzuki et al. D18/56
- D492,962 S * 7/2004 Suzuki et al. D18/56

* cited by examiner

Primary Examiner—Cathy Anne MacCormac
(74) *Attorney, Agent, or Firm*—Stroock & Stroock & Lavan LLP

(57) **CLAIM**

The ornamental design for an ink cartridge for printer, as shown and described.

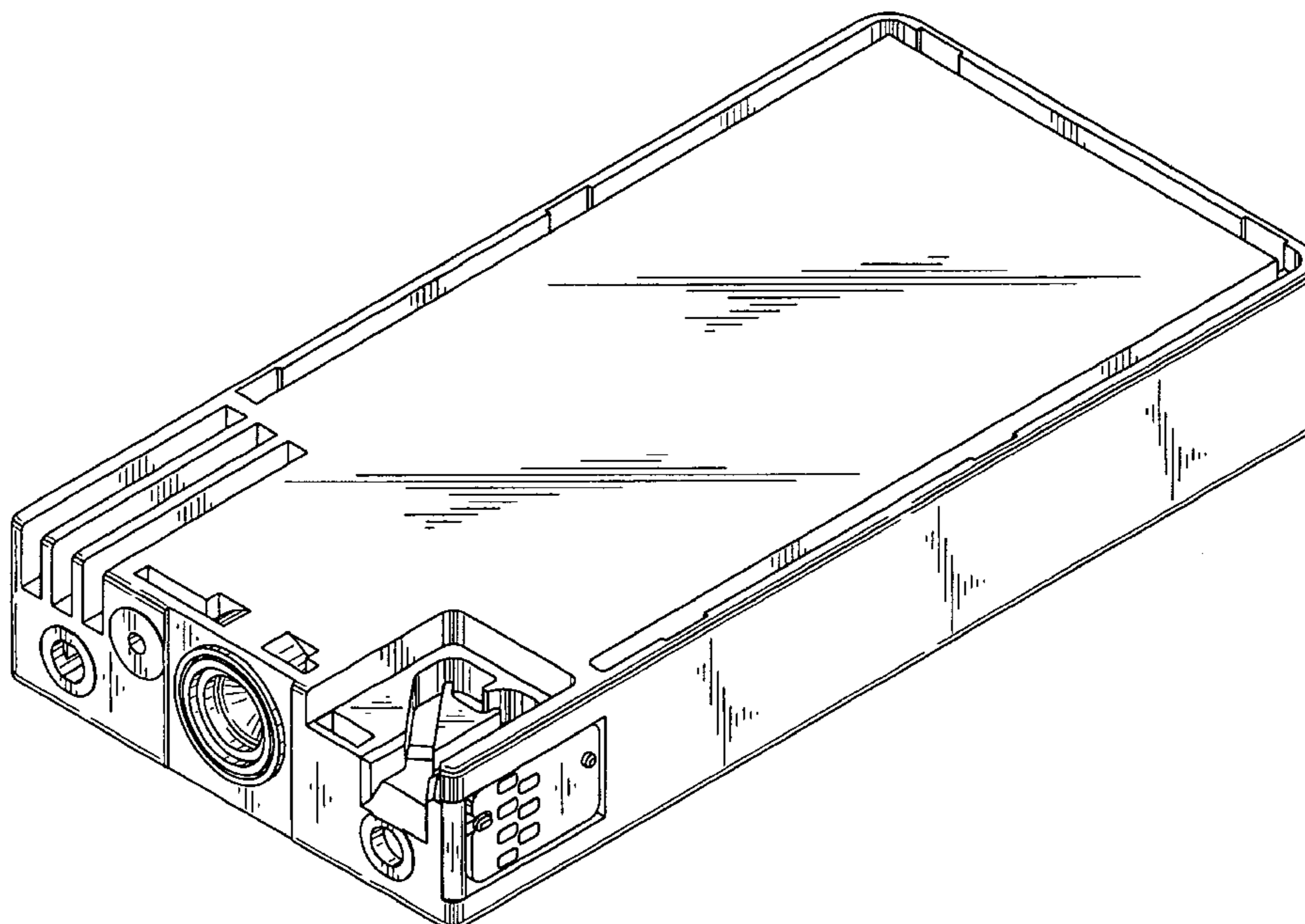
DESCRIPTION

FIG. 1 is a front, bottom and left side perspective view of an ink cartridge for printer showing our new design; FIG. 2 is a rear, bottom and left side perspective view thereof; FIG. 3 is a front elevational view thereof; FIG. 4 is a rear elevational view thereof; FIG. 5 is a top plan view thereof; FIG. 6 is a bottom view thereof; FIG. 7 is a left side view thereof; and, FIG. 8 is a right side view thereof.

1 Claim, 6 Drawing Sheets

(56) **References Cited**
U.S. PATENT DOCUMENTS

- 4,551,734 A 11/1985 Causley et al.
- 4,695,824 A 9/1987 Tazaki
- 4,935,751 A 6/1990 Hamlin
- 4,959,667 A 9/1990 Kaplinsky
- D313,812 S 1/1991 Yomo
- D321,900 S 11/1991 Kumagai
- D330,387 S 10/1992 Kawakami
- D331,939 S 12/1992 Ujita
- D334,403 S 3/1993 Kawakami
- D349,723 S 8/1994 Ujita
- 5,381,172 A 1/1995 Ujita et al.
- D357,274 S 4/1995 Sato
- 5,541,631 A 7/1996 Hashimoto



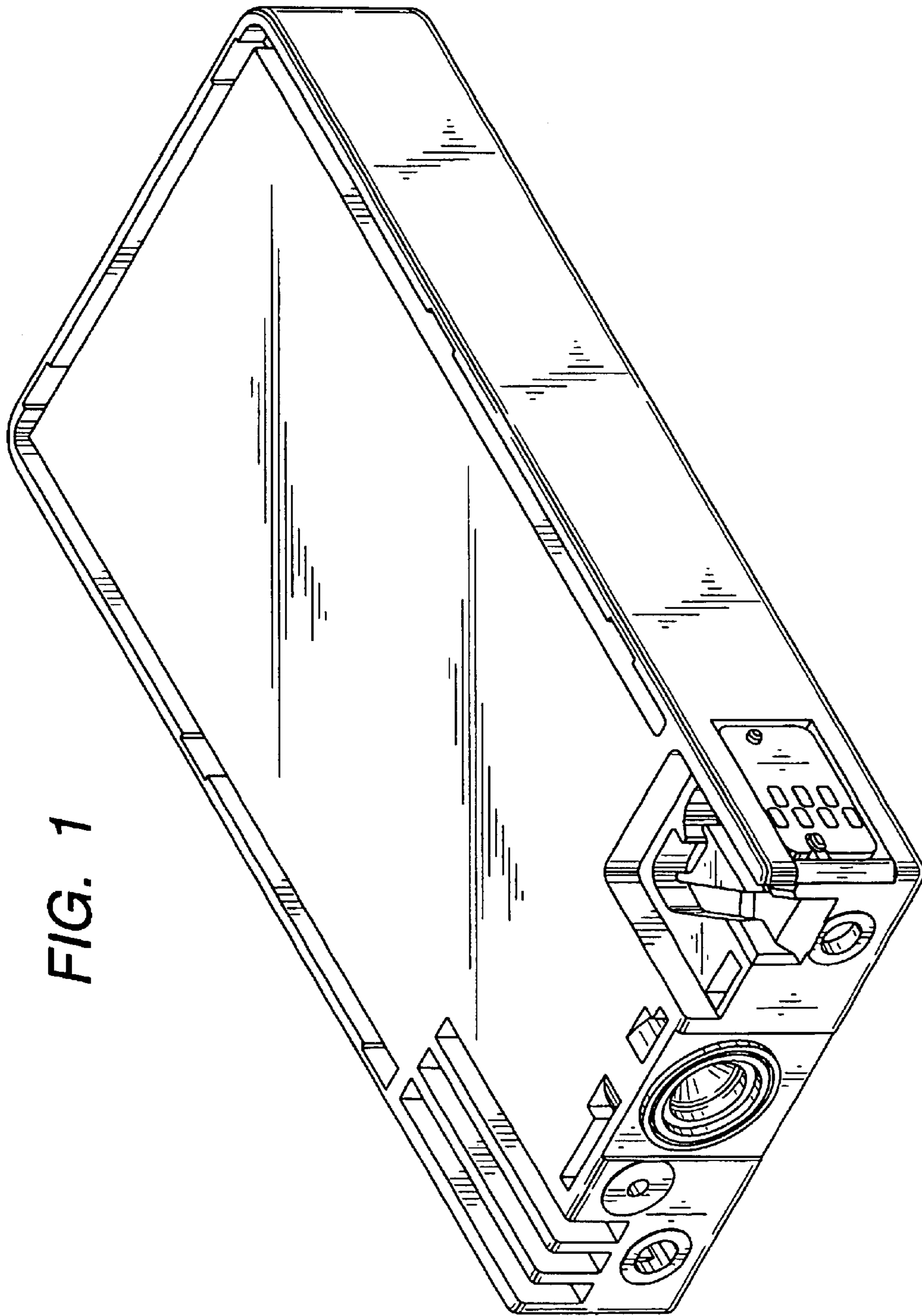


FIG. 1

FIG. 2

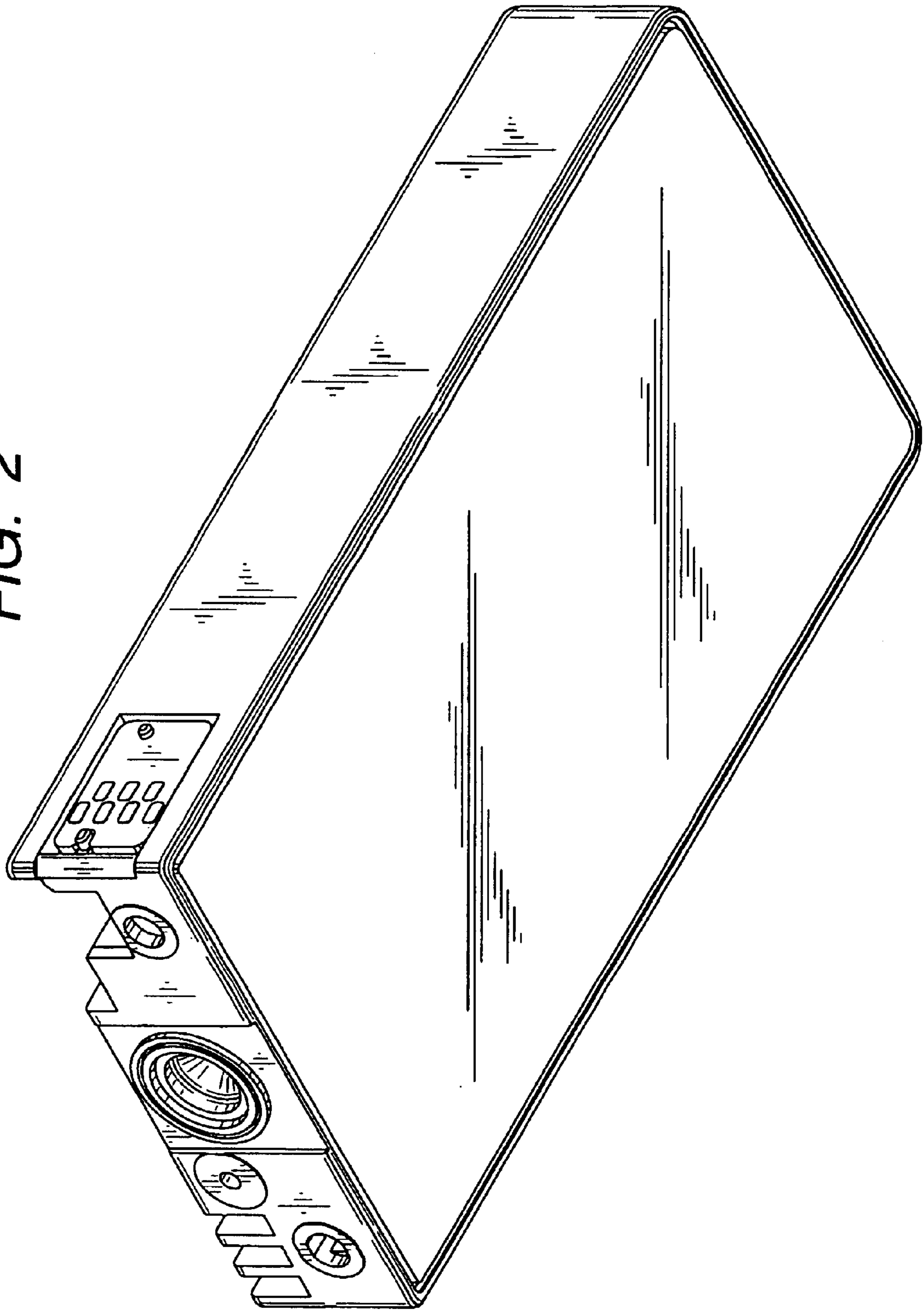


FIG. 3

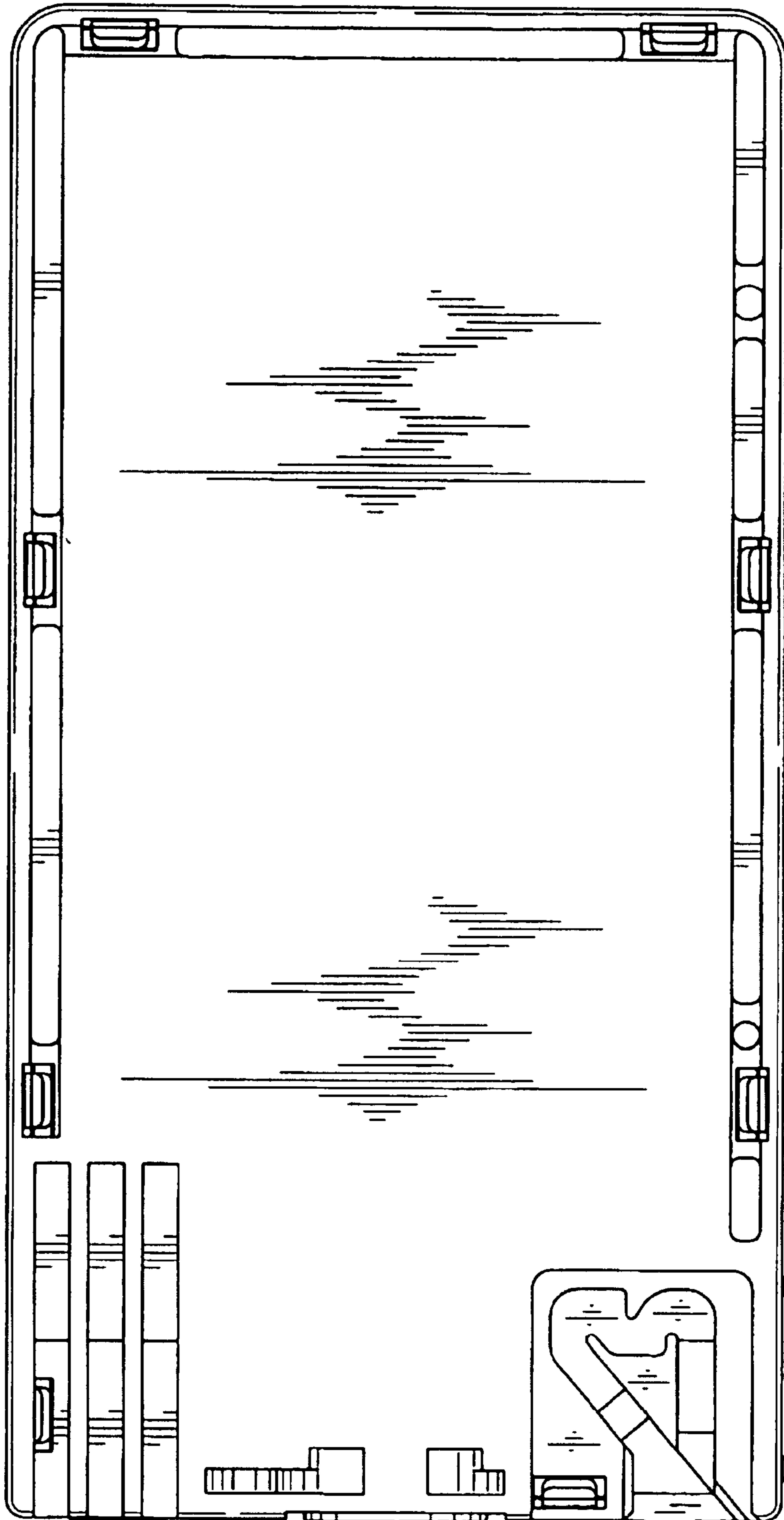


FIG. 4

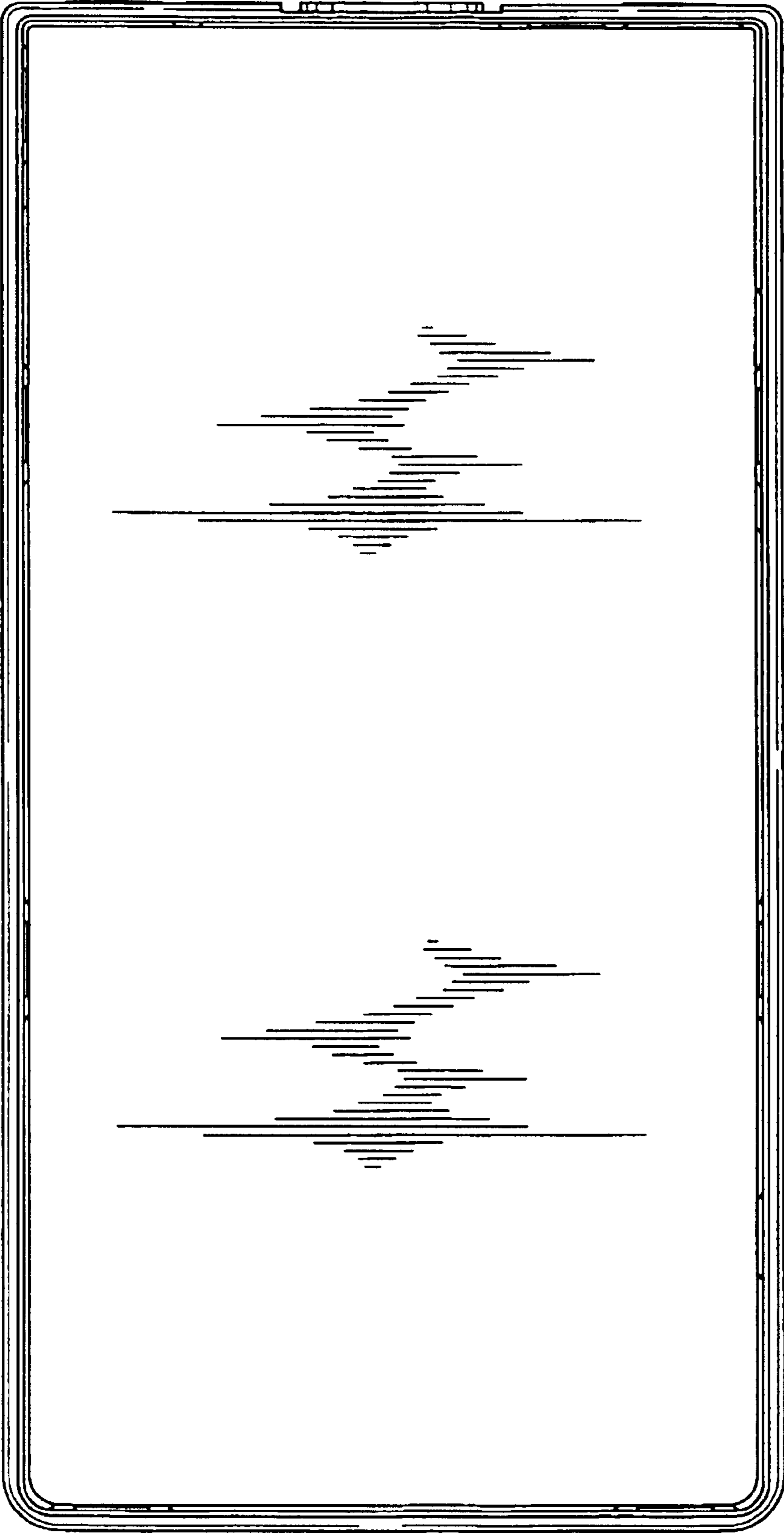


FIG. 5

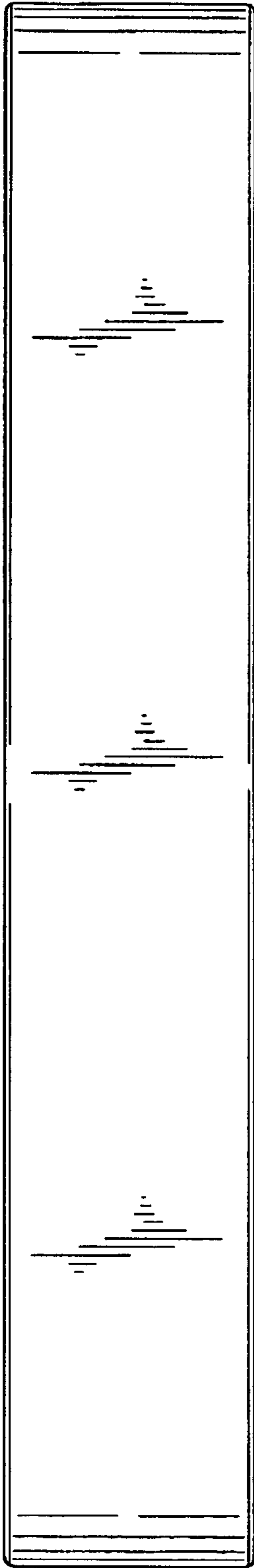


FIG. 6

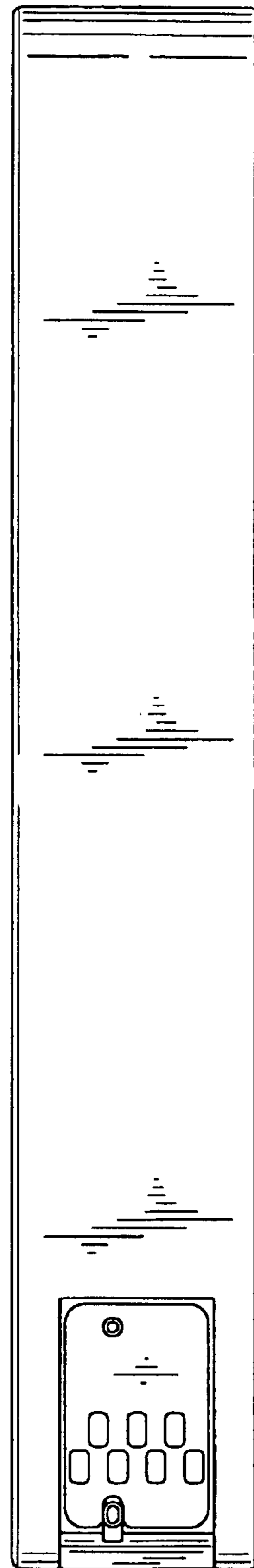


FIG. 7

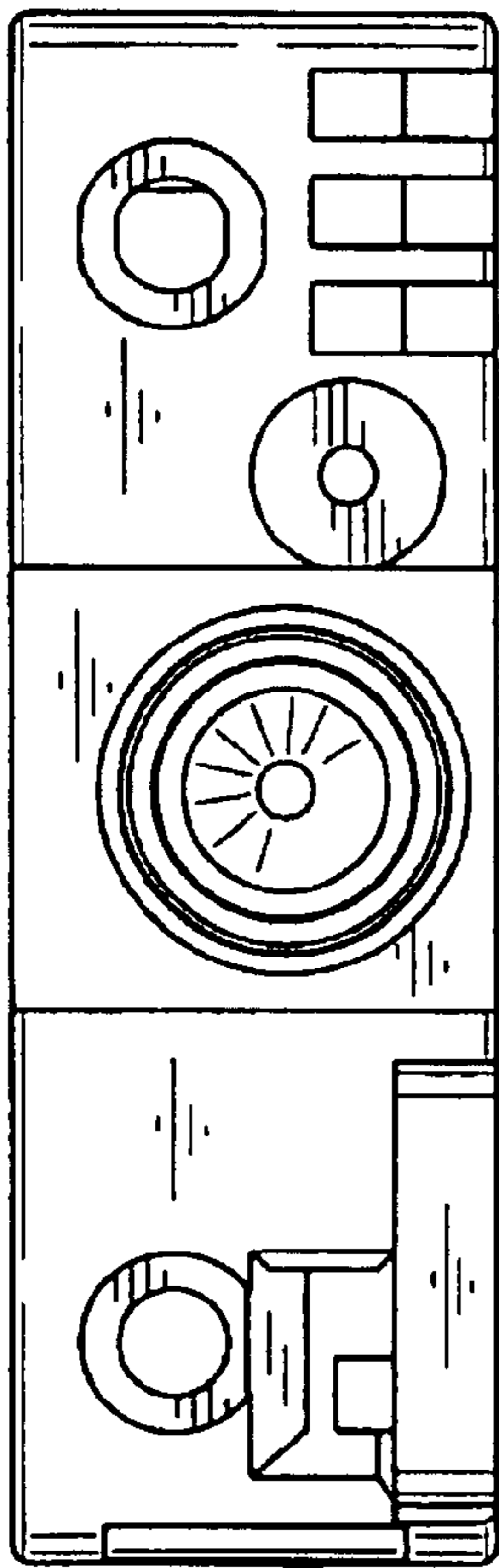


FIG. 8

