



US00D522046S

(12) **United States Design Patent**  
**Iritani et al.**

(10) **Patent No.:** **US D522,046 S**

(45) **Date of Patent:** **\*\* May 30, 2006**

(54) **PRINTER**

(75) Inventors: **Yu Iritani**, Chofu (JP); **Tomonari Asai**,  
Aichi-ken (JP); **Yoshitaka Isogai**,  
Machida (JP)

(73) Assignee: **Konica Minolta Business**  
**Technologies, Inc.**, Tokyo (JP)

(\*\*) Term: **14 Years**

(21) Appl. No.: **29/211,302**

(22) Filed: **Aug. 13, 2004**

(30) **Foreign Application Priority Data**

Feb. 13, 2004 (JP) ..... 2004-003745

(51) **LOC (8) Cl.** ..... **14-02**

(52) **U.S. Cl.** ..... **D18/55**

(58) **Field of Classification Search** ..... D18/36-39,  
D18/50, 54, 54.1, 55; D14/420-425, 462-470;  
400/613, 613.1-613.4, 690.1-690.4, 691-694  
See application file for complete search history.

(56) **References Cited**

**U.S. PATENT DOCUMENTS**

- D376,814 S \* 12/1996 Asai et al. .... D18/50
- D387,085 S \* 12/1997 Masujima et al. .... D18/54
- D389,861 S \* 1/1998 Kobayashi et al. .... D18/55

- D421,045 S \* 2/2000 Quijano ..... D18/55
- D438,895 S \* 3/2001 Pangburn ..... D18/55
- D441,394 S \* 5/2001 Kobayashi et al. .... D18/54
- D443,638 S \* 6/2001 Kobayashi et al. .... D18/54
- D444,170 S \* 6/2001 Ichi et al. .... D18/54
- D444,813 S \* 7/2001 Quijano ..... D18/55
- D449,851 S \* 10/2001 Katou et al. .... D18/36
- D450,756 S \* 11/2001 Fetherolf et al. .... D18/55
- D472,243 S \* 3/2003 Agata ..... D14/463
- D474,501 S \* 5/2003 Hayashi ..... D18/55
- D477,632 S \* 7/2003 Todd ..... D18/55

\* cited by examiner

*Primary Examiner*—Cathy Anne MacCormac

(74) *Attorney, Agent, or Firm*—Buchanan Ingersol PC

(57) **CLAIM**

The ornamental design for a printer, as shown and described.

**DESCRIPTION**

FIG. 1 is a front elevational view of a printer showing our new design;  
 FIG. 2 is a rear elevational view thereof;  
 FIG. 3 is a top plan view thereof;  
 FIG. 4 is a bottom plan view thereof;  
 FIG. 5 is a right side elevational view thereof;  
 FIG. 6 is a left side elevational view thereof;  
 FIG. 7 is a perspective view thereof; and,  
 FIG. 8 is a perspective view thereof in an alternate position.

**1 Claim, 8 Drawing Sheets**

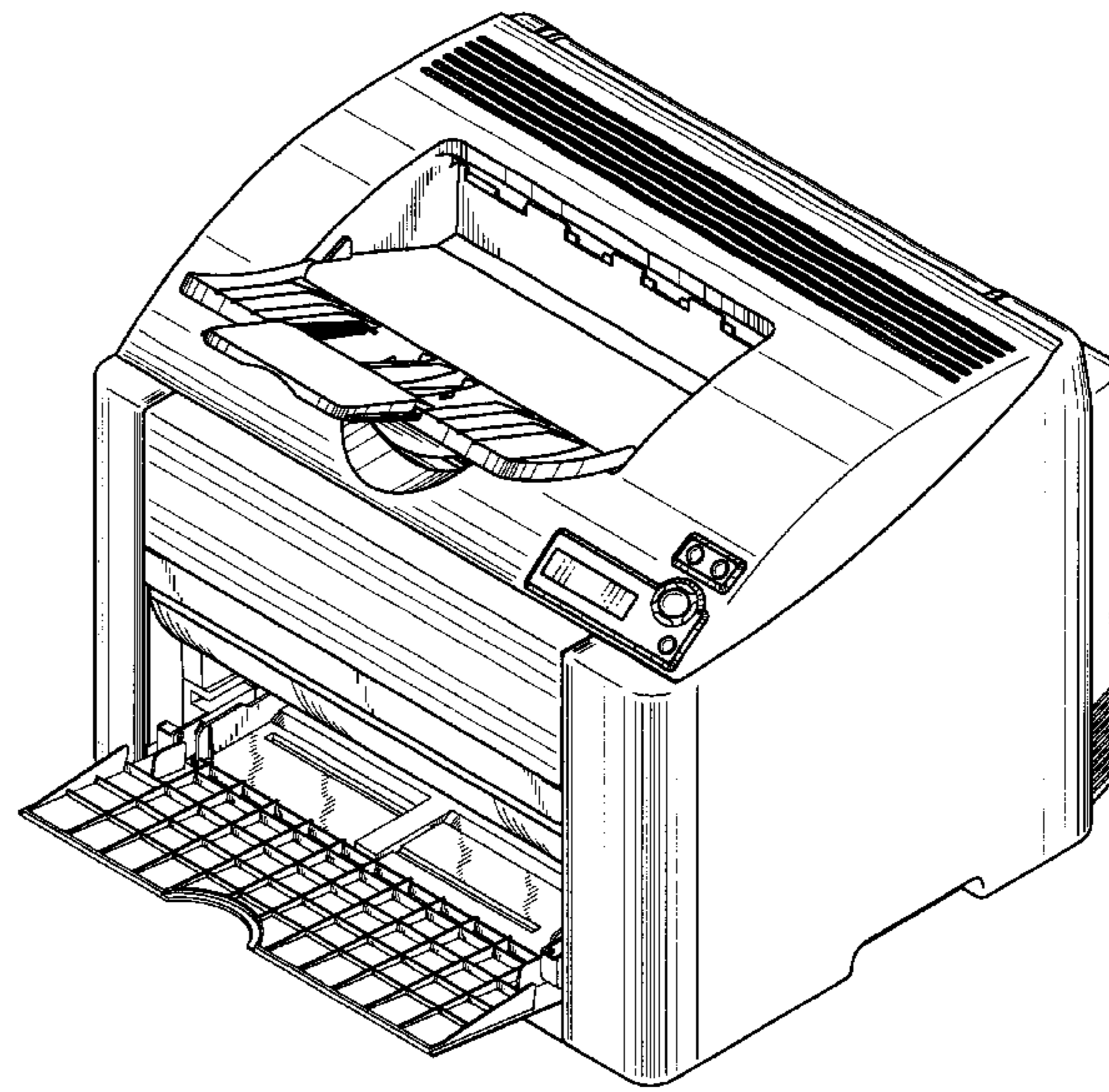
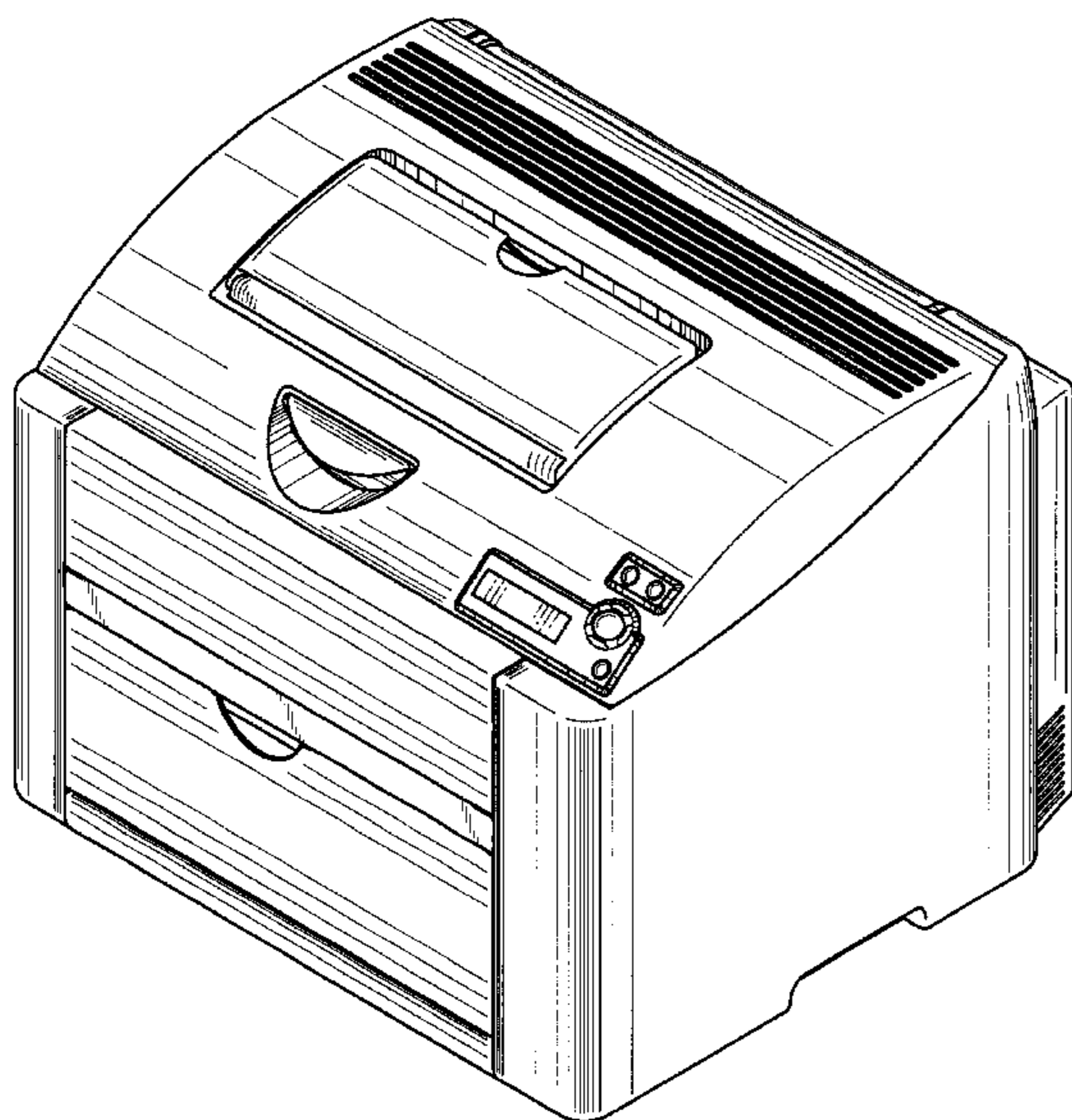


Fig. 1

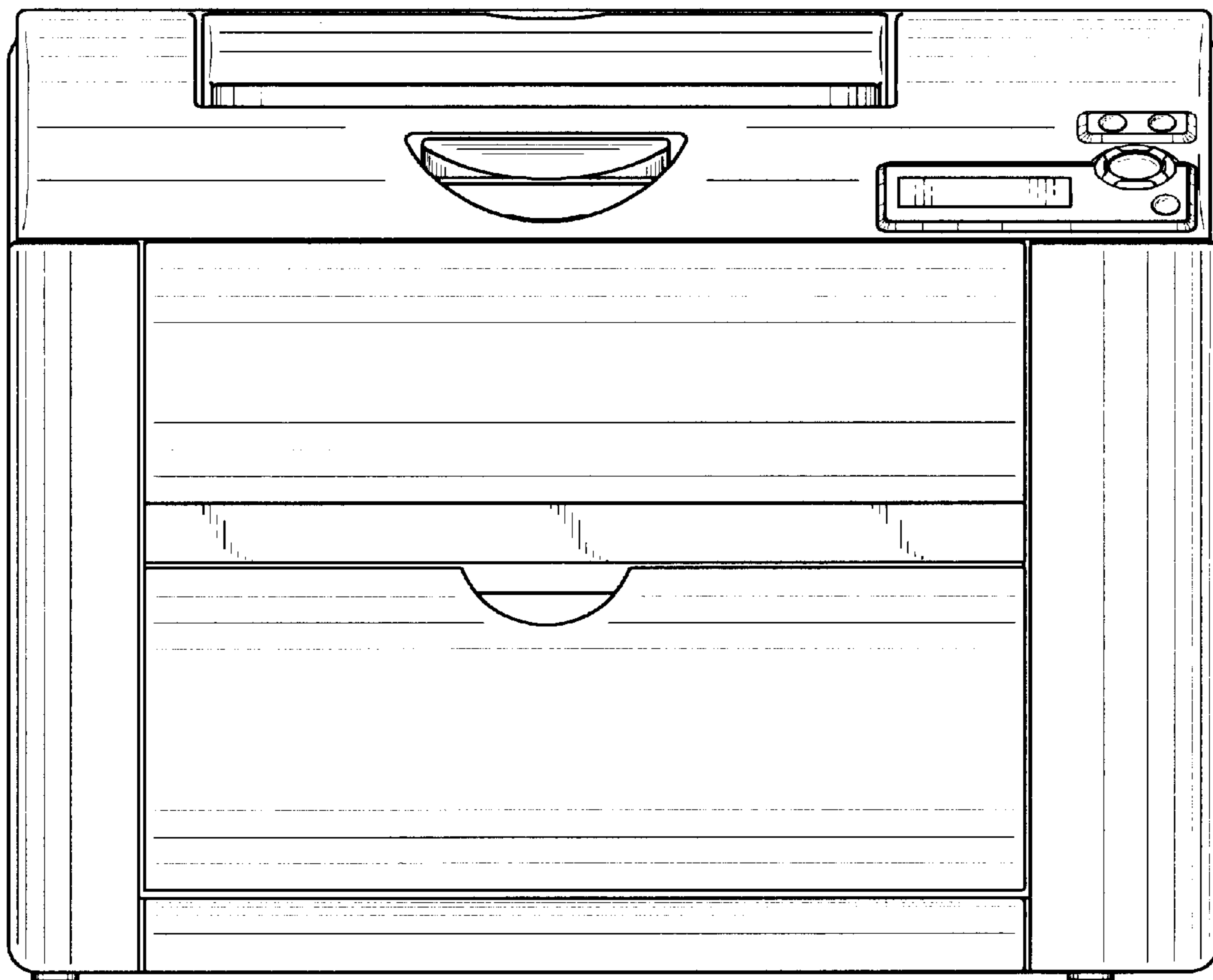


Fig. 2

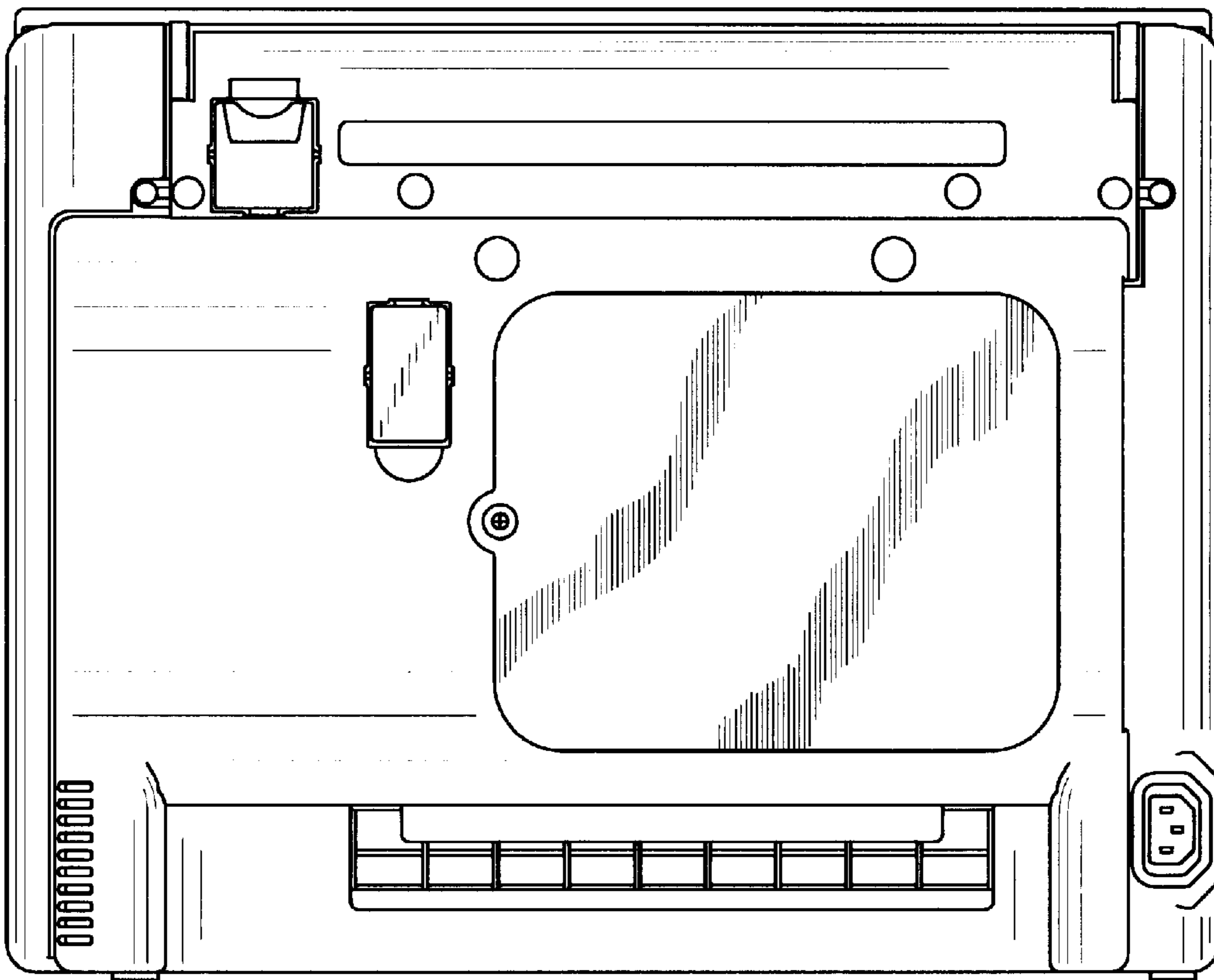


Fig. 3

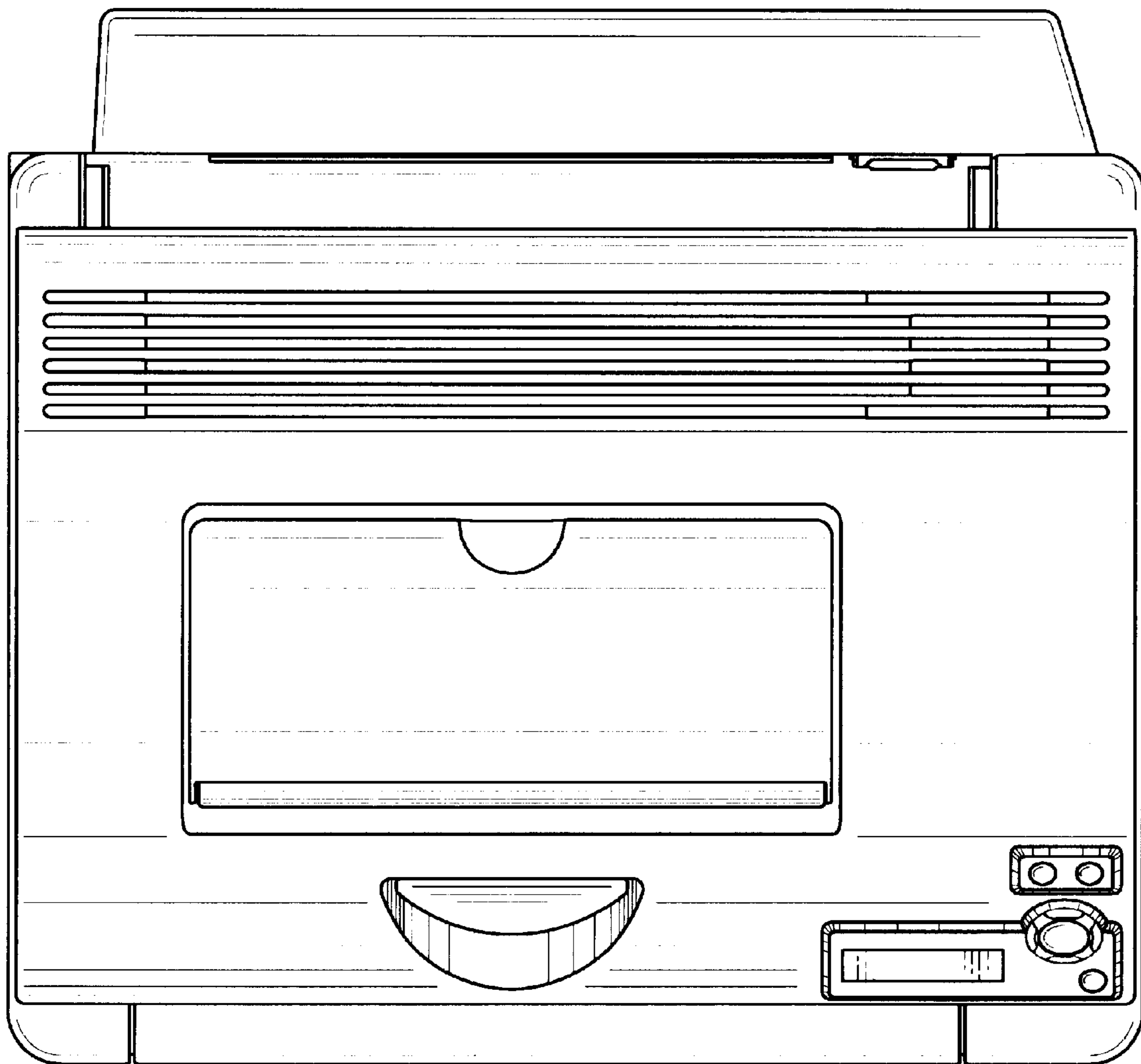


Fig. 4

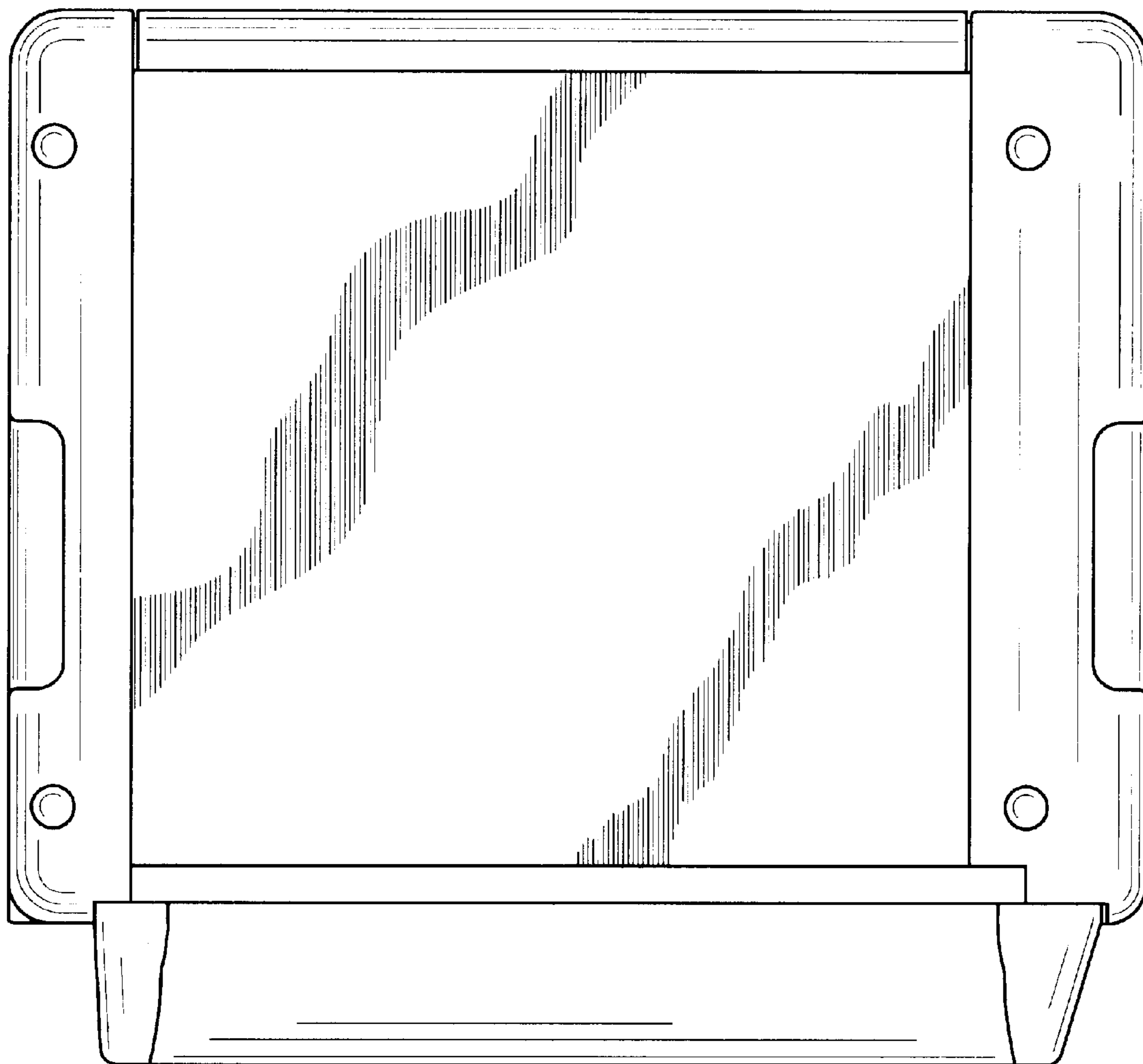


Fig. 5

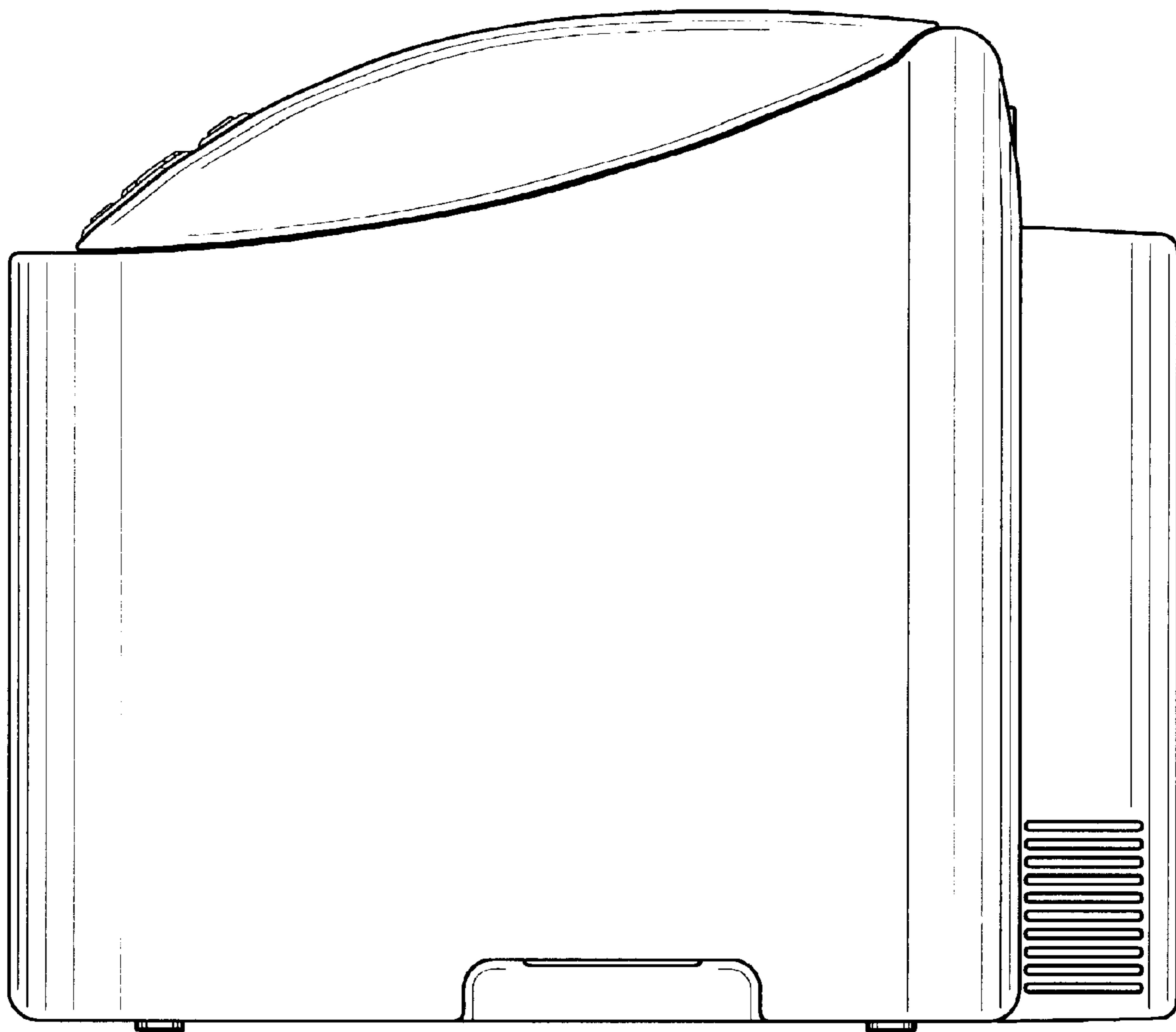




Fig. 6

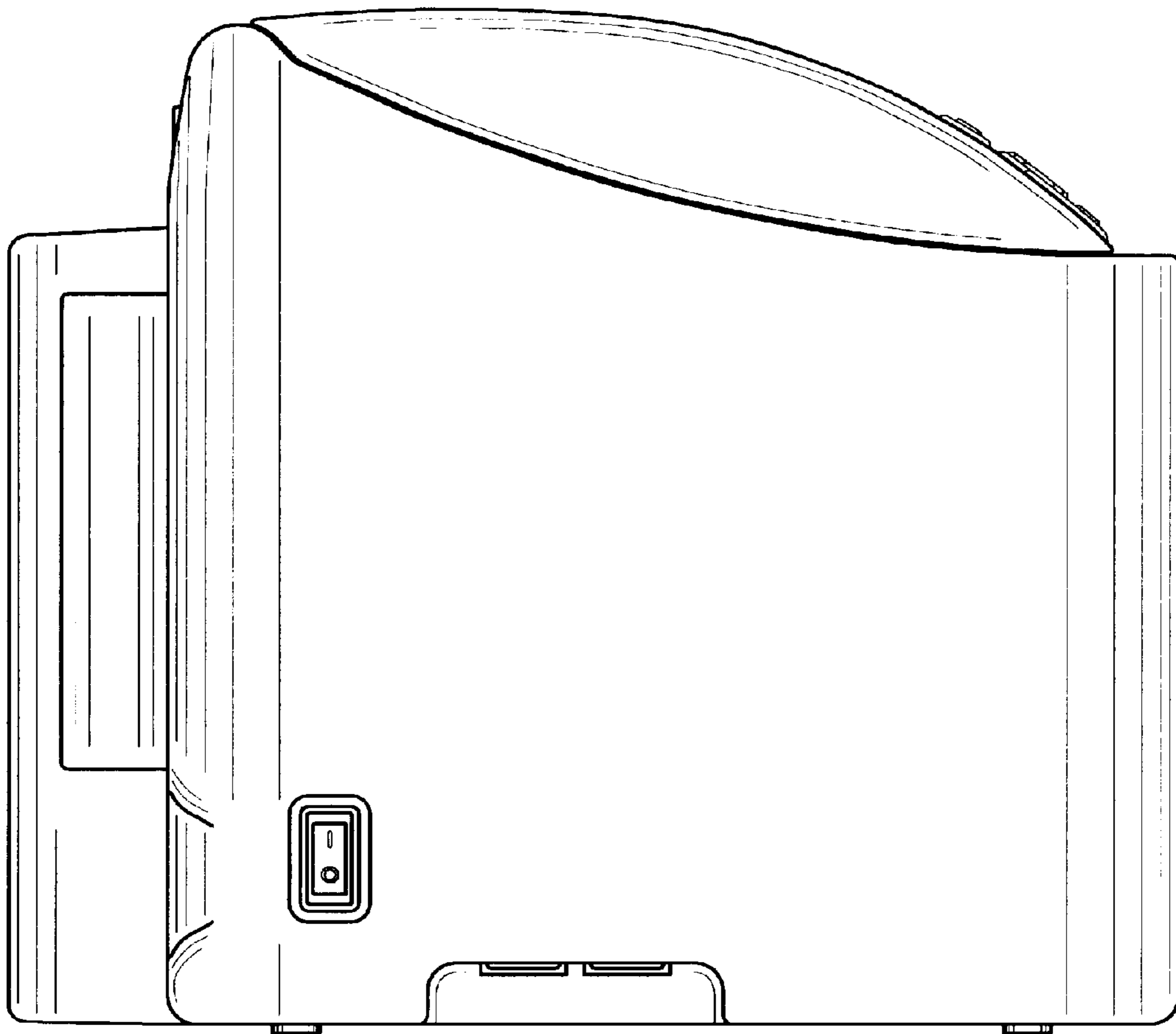


Fig. 7

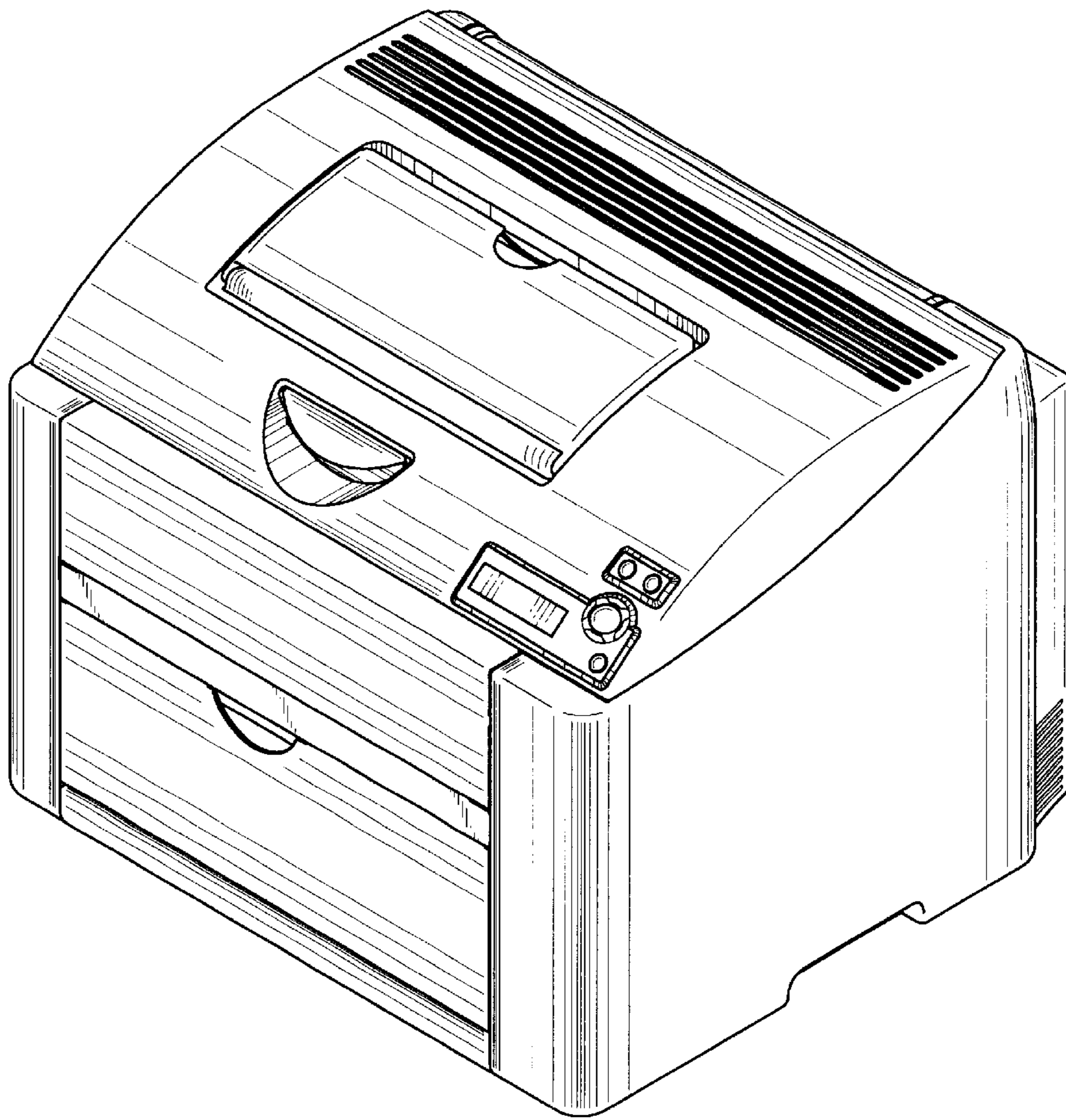




Fig. 8

