



US00D522044S

(12) **United States Design Patent**
Emmenegger et al.

(10) **Patent No.:** **US D522,044 S**

(45) **Date of Patent:** **** May 30, 2006**

(54) **MULTIFUNCTION PERIPHERAL**

(75) Inventors: **Stephen W. Emmenegger**, San Diego, CA (US); **Scott Gant**, San Diego, CA (US); **Thomas J. Roetker**, San Diego, CA (US)

(73) Assignee: **Hewlett-Packard Development Company, L.P.**, Houston, TX (US)

(**) Term: **14 Years**

(21) Appl. No.: **29/210,992**

(22) Filed: **Aug. 9, 2004**

(51) **LOC (8) Cl.** **14-02**

(52) **U.S. Cl.** **D18/50**

(58) **Field of Classification Search** D18/36-39, D18/46-49, 53-54, 54.1, 55, 14, 19, 50-51; D14/420-425, 462-470; 400/613, 613.1-613.4, 400/690.1-690.4, 691-694

See application file for complete search history.

(56) **References Cited**

U.S. PATENT DOCUMENTS

- D332,258 S * 1/1993 Urushihara et al. D14/464
- D393,870 S * 4/1998 Kobayashi et al. D18/55
- D437,877 S * 2/2001 Chen D18/36

- D448,403 S * 9/2001 Omuro et al. D14/425
- D449,851 S * 10/2001 Katou et al. D18/36
- D466,149 S * 11/2002 Takeuchi D18/36
- D466,921 S * 12/2002 Senshiki D18/54
- D491,219 S * 6/2004 Shimamura D18/50
- D501,503 S * 2/2005 Leong et al. D18/55
- D502,733 S * 3/2005 Miyauchi et al. D18/50

* cited by examiner

Primary Examiner—Cathy Anne MacCormac

(57) **CLAIM**

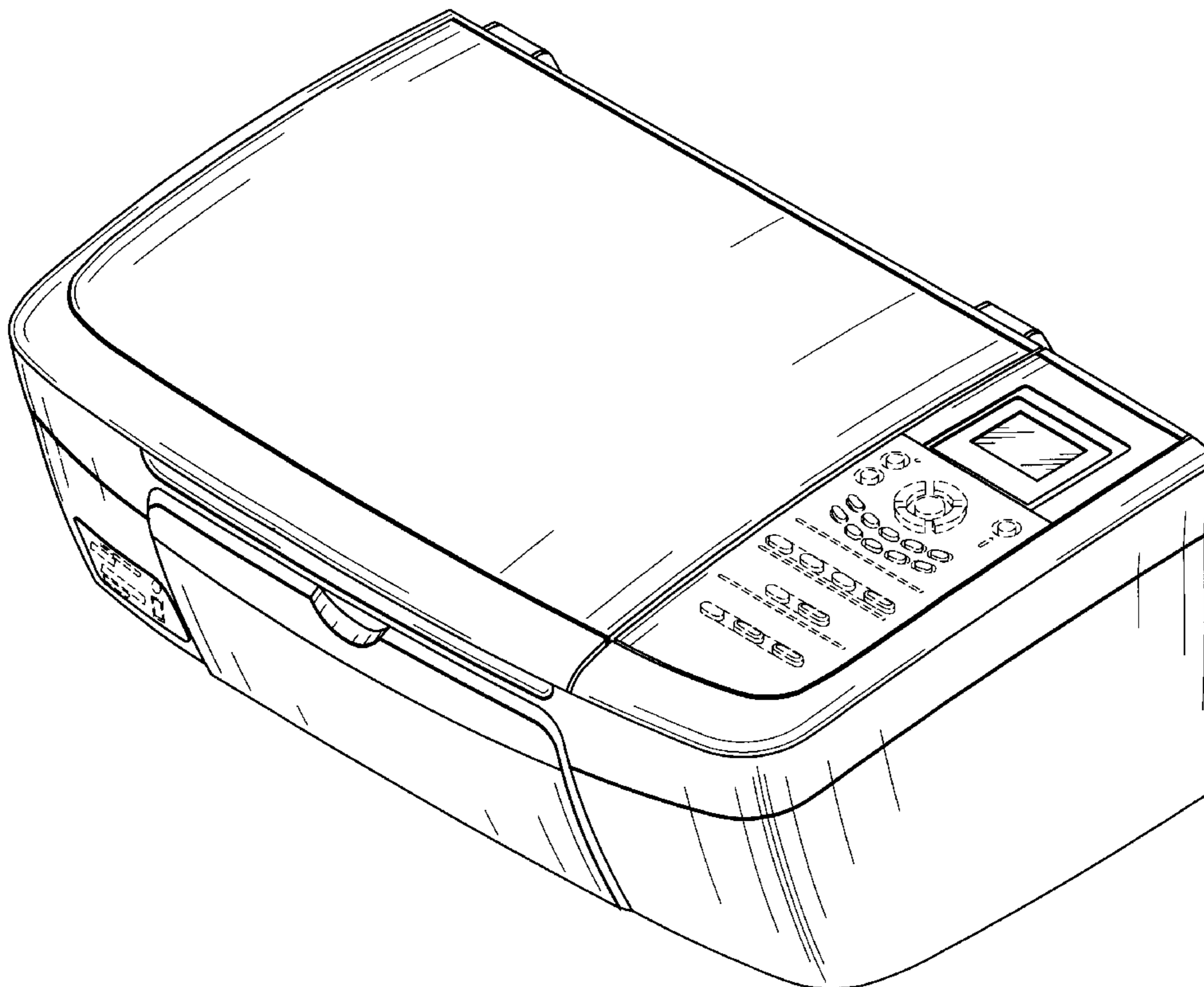
The ornamental design for a multifunction peripheral, as shown and described.

DESCRIPTION

FIG. 1 is a right-front perspective view of a multifunction peripheral showing the new design; FIG. 2 is a front view thereof; FIG. 3 is a top view thereof; FIG. 4 is a rear view thereof; FIG. 5 is a left side view thereof; and, FIG. 6 is a right side view thereof.

The bottom view is not shown as it is flat and devoid of surface ornamentation. The broken lines visible in FIGS. 1-3, 5 and 6 show environmental features and form no part of the claimed design.

1 Claim, 5 Drawing Sheets



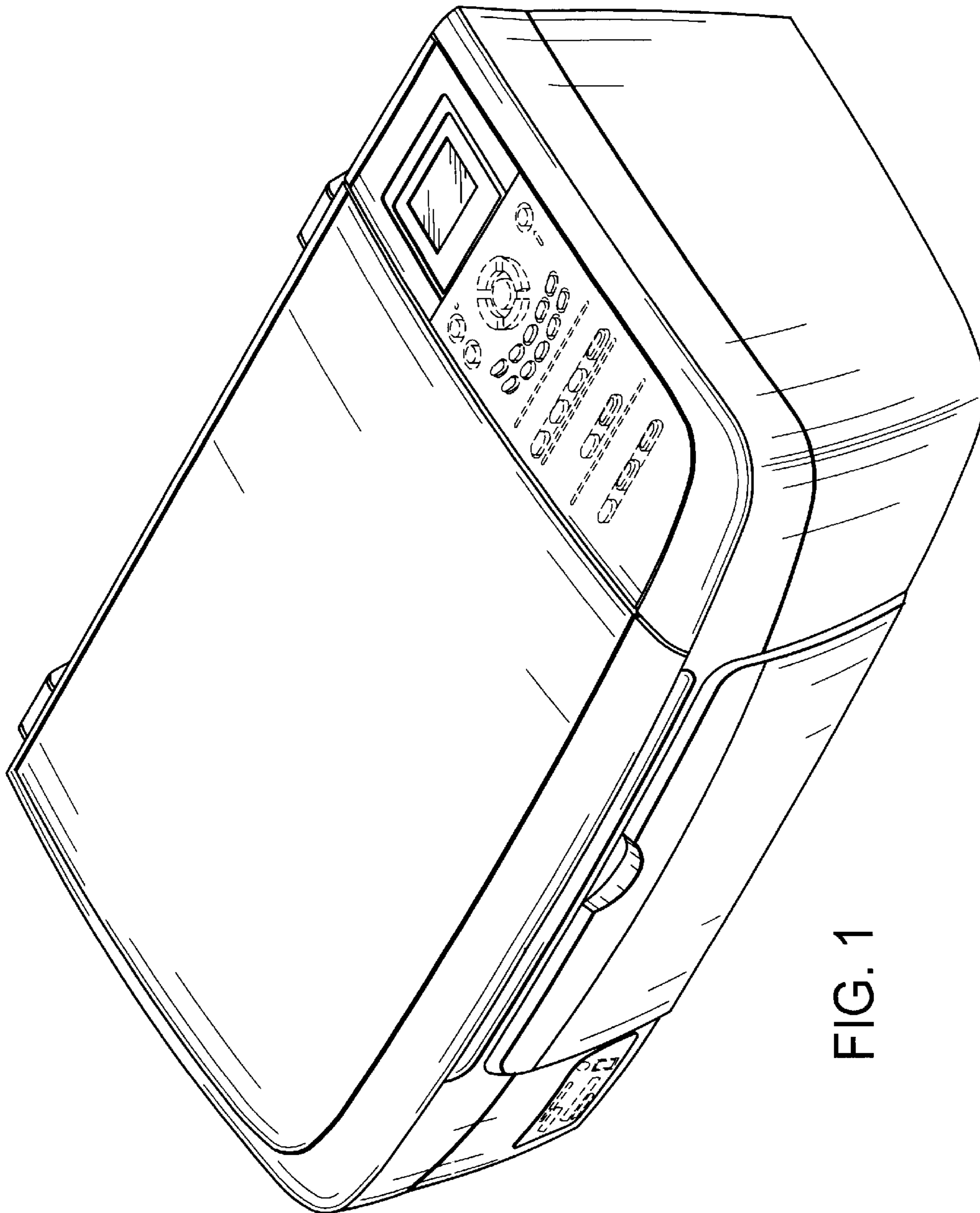


FIG. 1

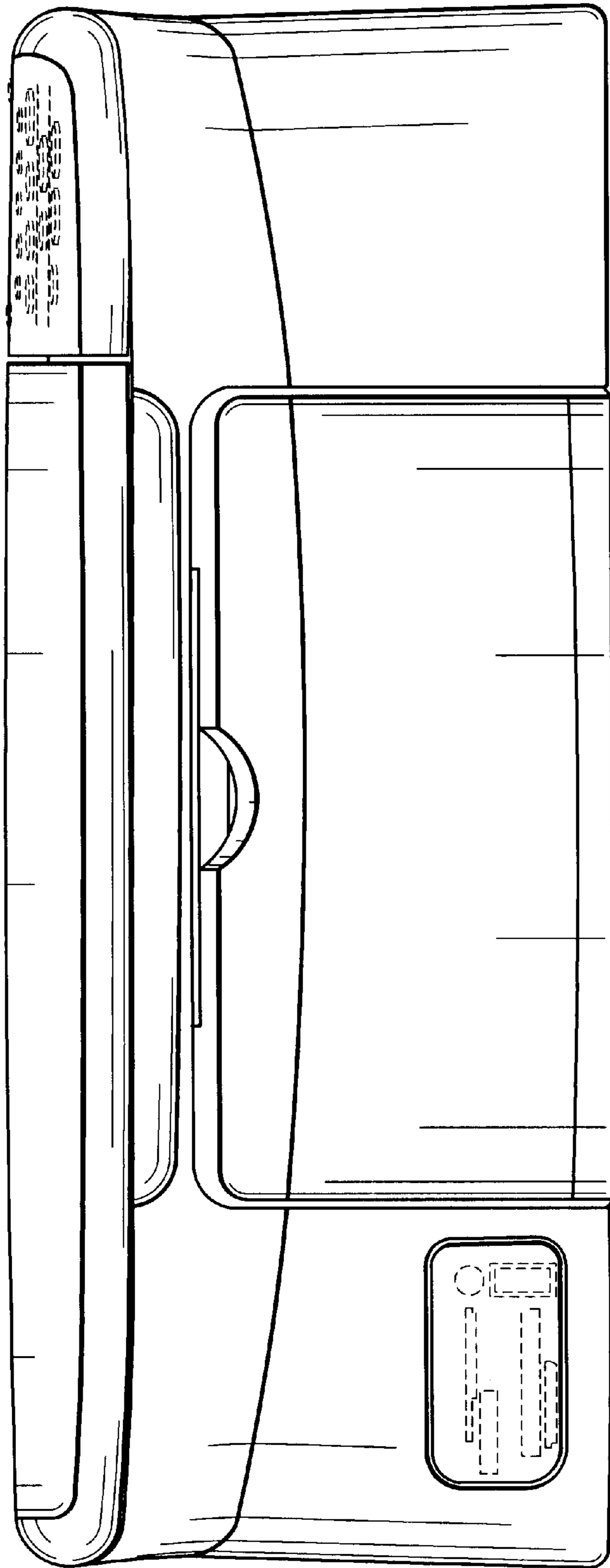


FIG. 2

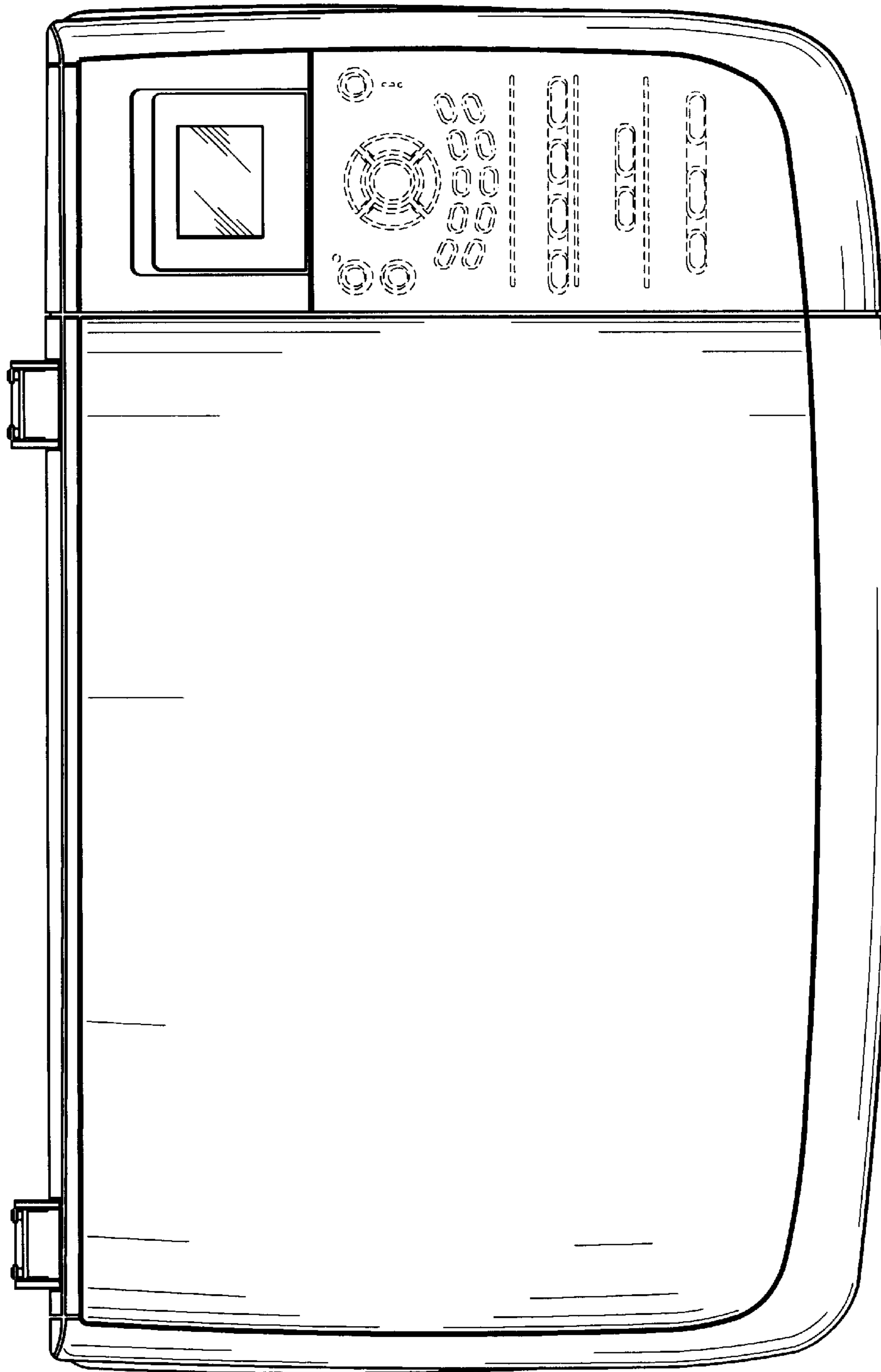


FIG. 3

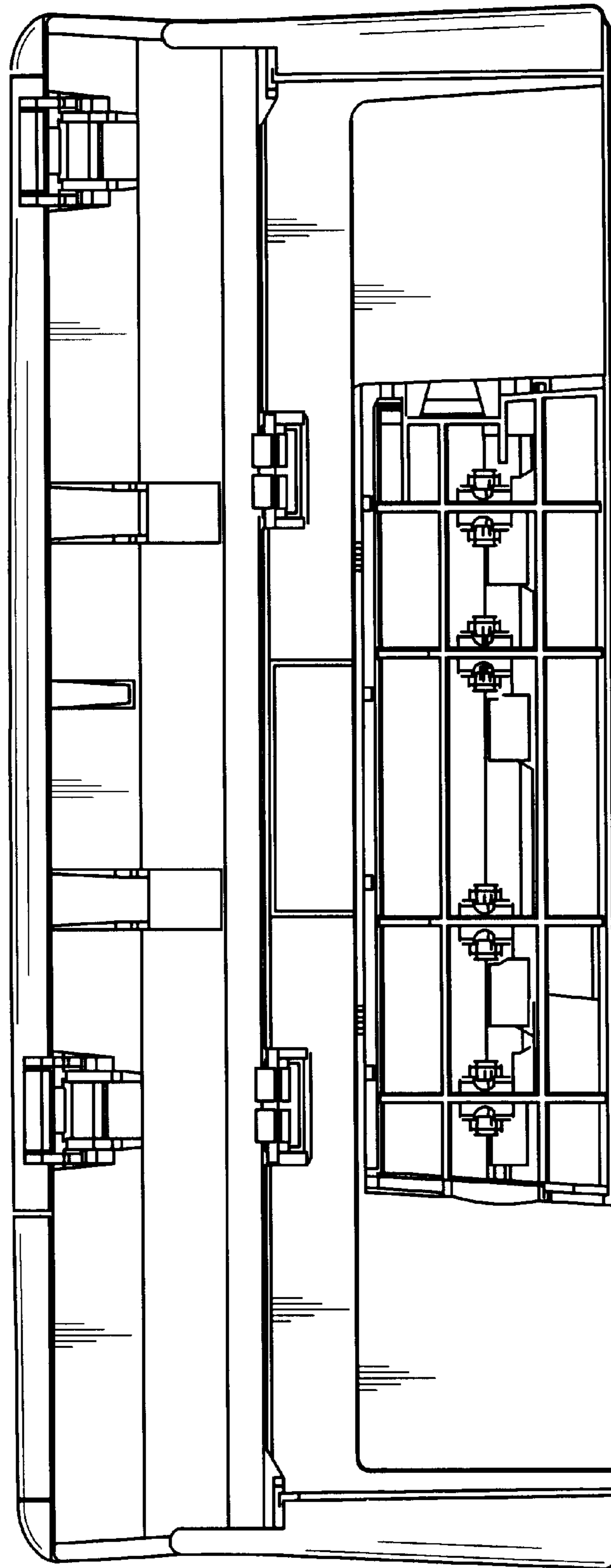


FIG. 4

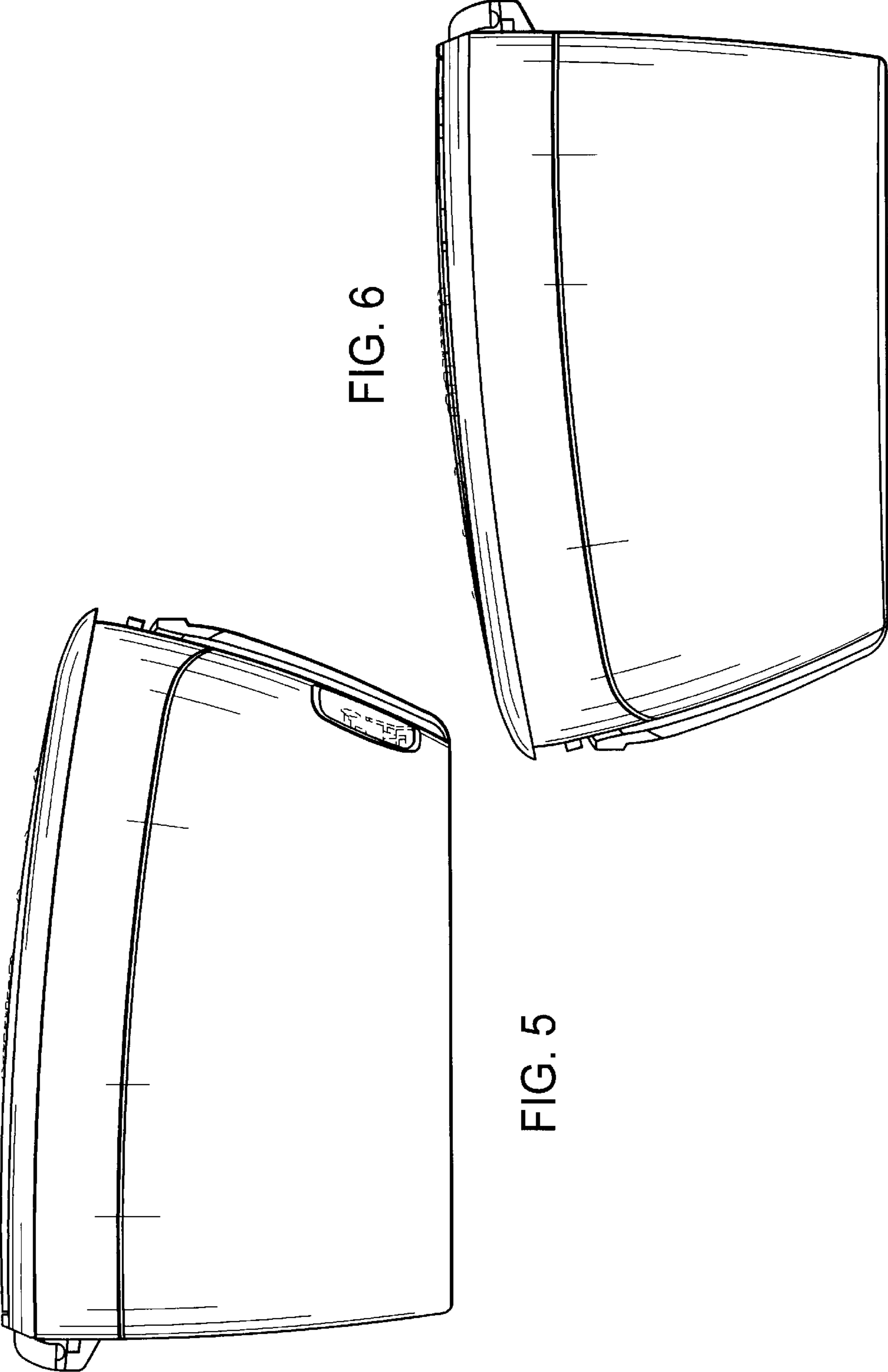


FIG. 6

FIG. 5