

US00D522038S

(12) **United States Design Patent**
Yamada et al.

(10) **Patent No.:** **US D522,038 S**

(45) **Date of Patent:** **** May 30, 2006**

(54) **PROJECTOR**

(75) Inventors: **Takahisa Yamada**, Tokyo (JP);
Shigenori Sakai, Tokyo (JP); **Tsunao**
Nagasaki, Tokyo (JP); **Naoto**
Fukasawa, Tokyo (JP)

(73) Assignee: **NEC Viewtechnology, Ltd.**, Tokyo (JP)

(**) **Term:** **14 Years**

(21) Appl. No.: **29/218,660**

(22) Filed: **Dec. 7, 2004**

(30) **Foreign Application Priority Data**

Jun. 8, 2004 (JP) 2004-017019

(51) **LOC (8) Cl.** **16-02**

(52) **U.S. Cl.** **D16/235; D16/230**

(58) **Field of Classification Search** D16/205,
D16/208, 221, 225, 229, 230, 231, 234, 235;
D21/514; 353/115, 119, 122

See application file for complete search history.

(56) **References Cited**

U.S. PATENT DOCUMENTS

D442,983 S * 5/2001 Goto et al. D16/230

D470,525 S * 2/2003 Nakayama et al. D16/231
D479,261 S * 9/2003 Kawasaki et al. D16/230
6,616,282 B1 * 9/2003 Ozawa 353/119
D498,490 S * 11/2004 Kawasaki et al. D16/231
D503,733 S * 4/2005 Kurokawa D16/230
D506,770 S * 6/2005 Saeki et al. D16/230

* cited by examiner

Primary Examiner—Adir Aronovich

(74) *Attorney, Agent, or Firm*—Sughrue Mion, PLLC

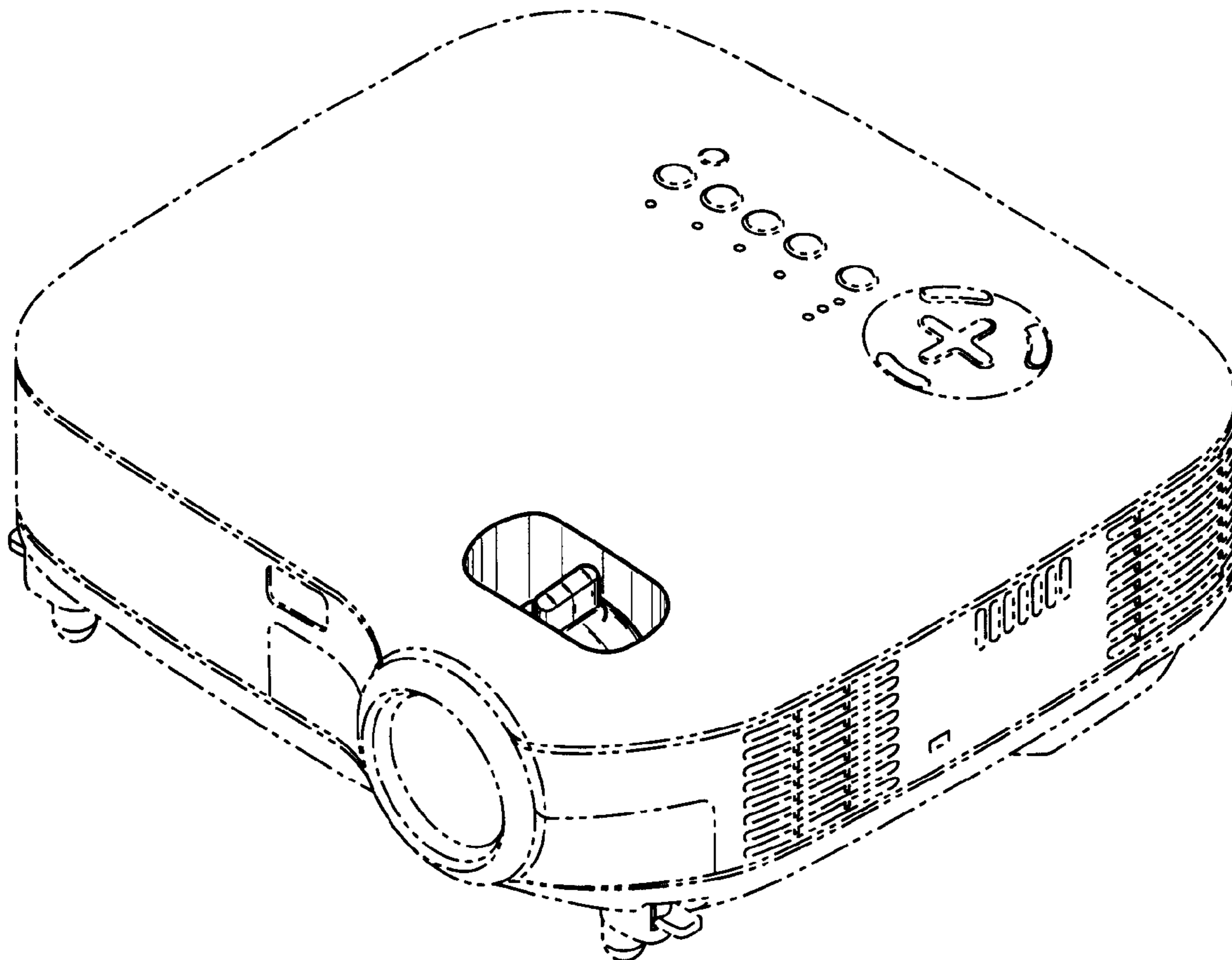
(57) **CLAIM**

The ornamental design for a projector, as shown and described.

DESCRIPTION

FIG. 1 is a perspective view of the top, front and right side of a projector showing our new design; FIG. 2 is a front elevational view thereof; FIG. 3 is a rear elevational view thereof; FIG. 4 is a left side elevational view thereof; FIG. 5 is a right side elevational view thereof; FIG. 6 is a top plan view thereof; and, FIG. 7 is a bottom plan view thereof. The elements shown in broken lines are for illustrative purposes only and form no part of the claimed design.

1 Claim, 4 Drawing Sheets



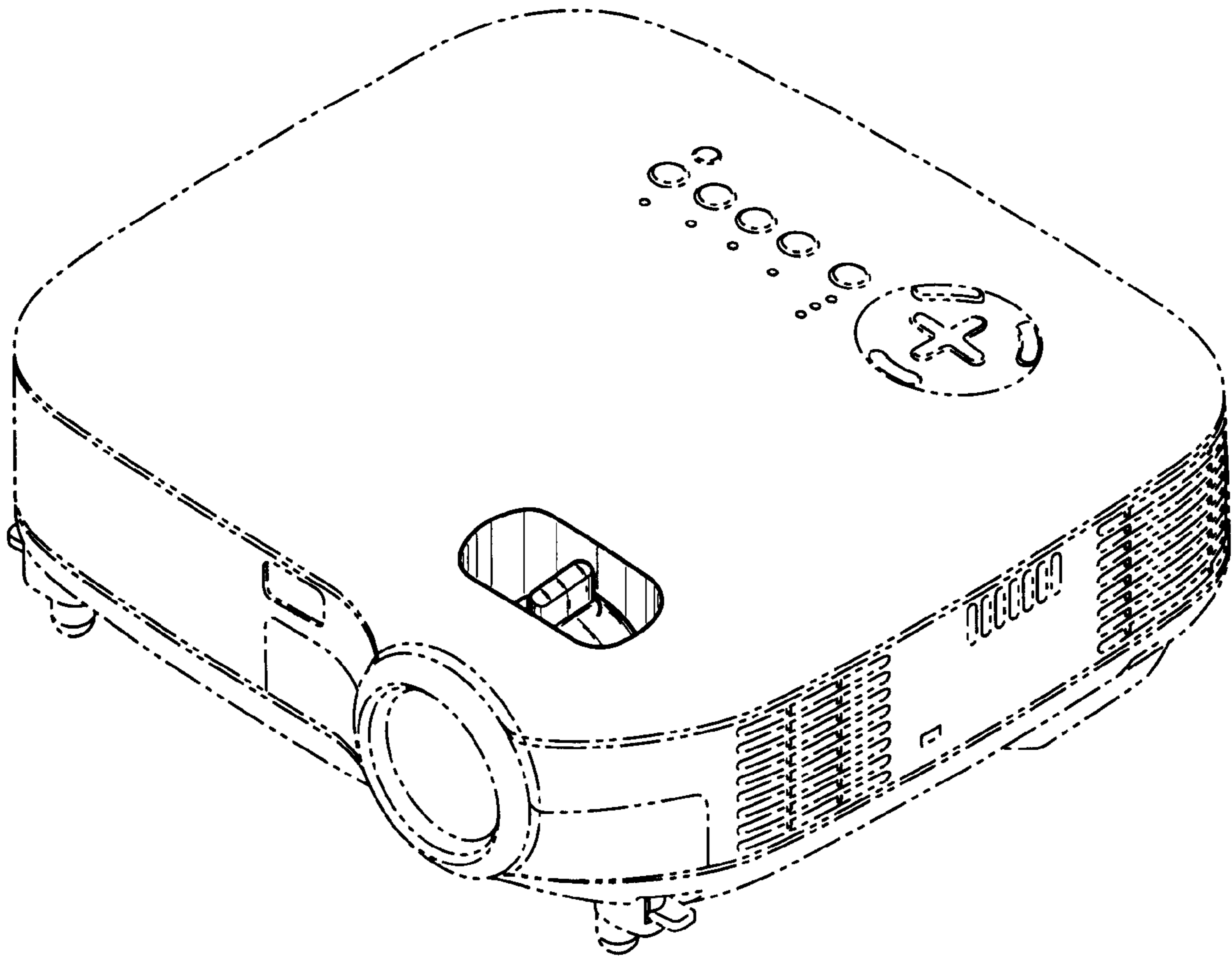


Fig. 1

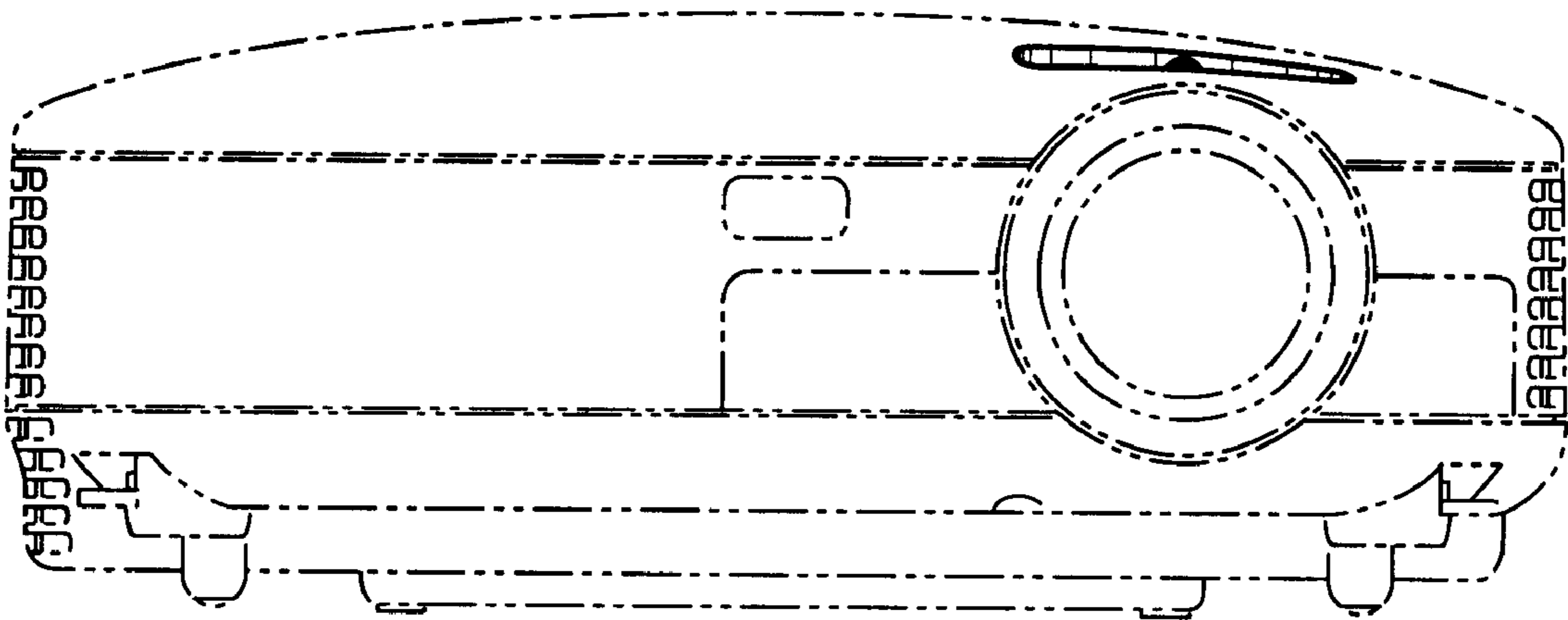


Fig. 2

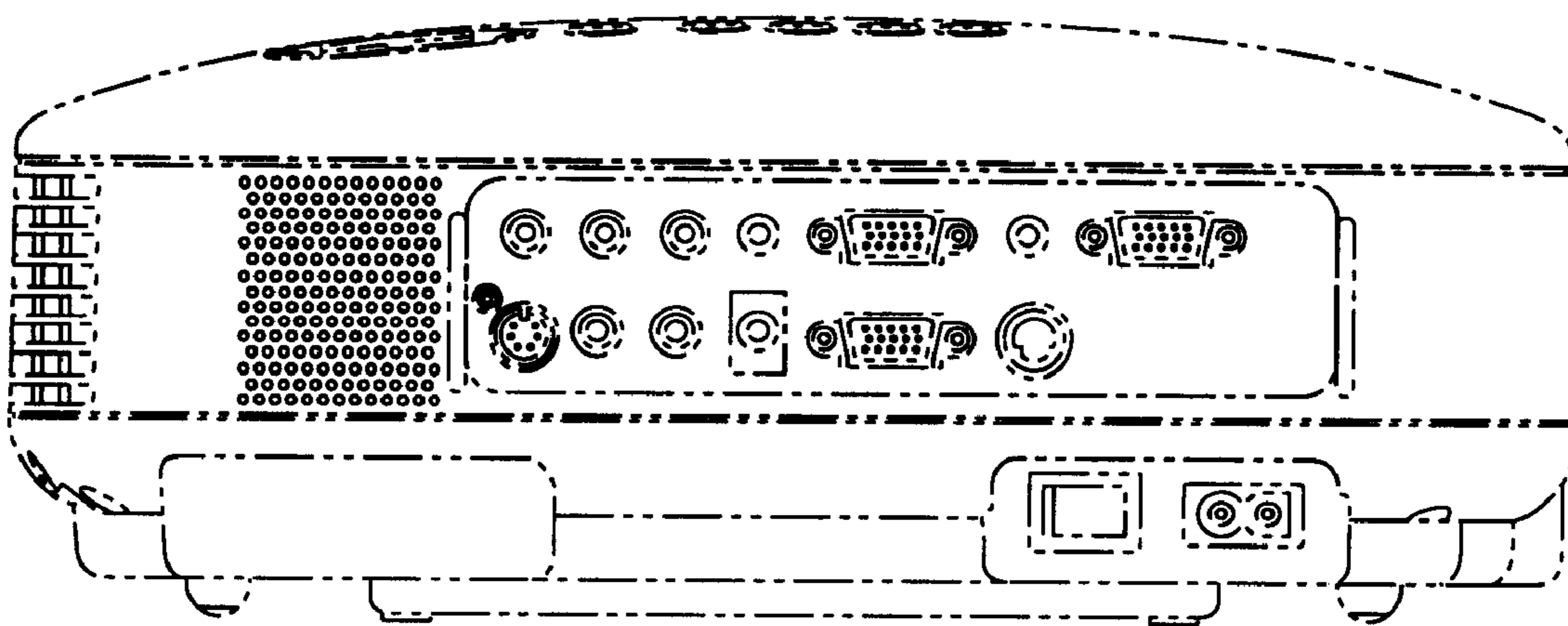


Fig. 3

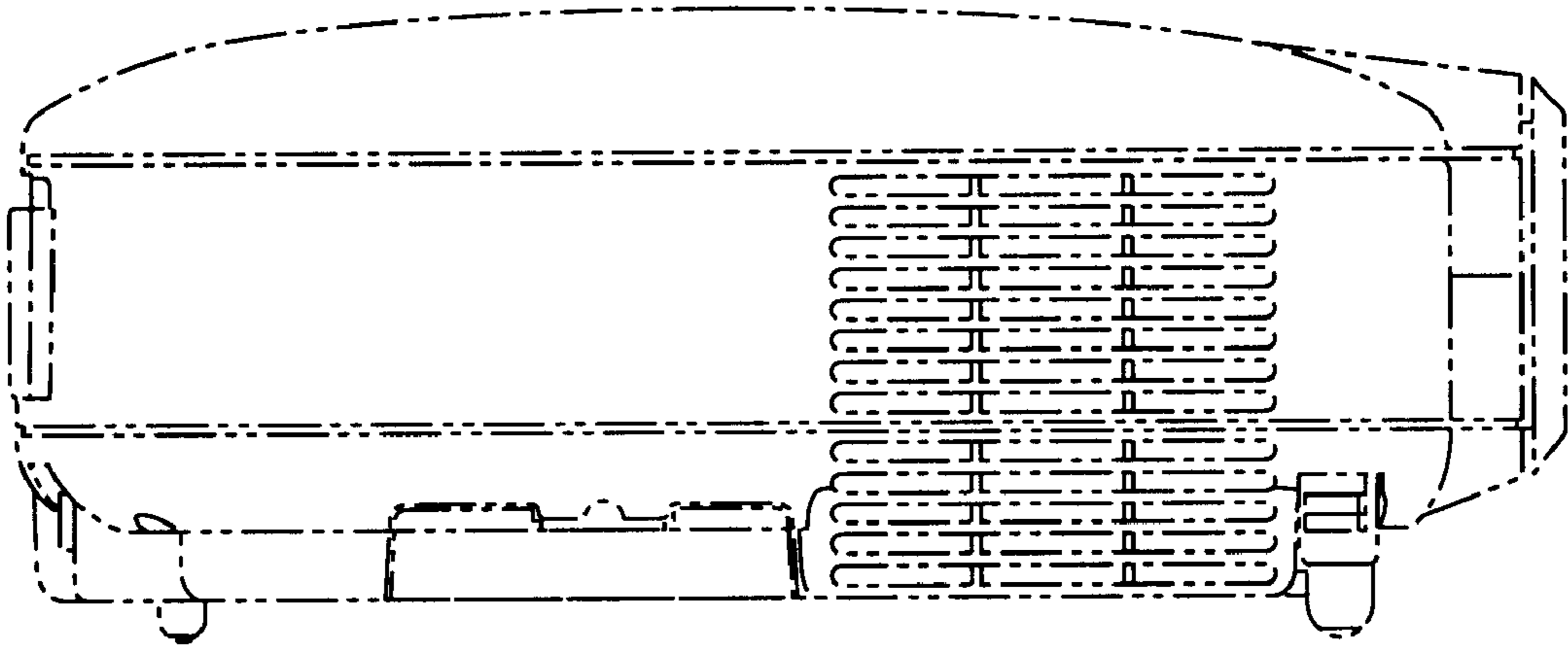


Fig. 4

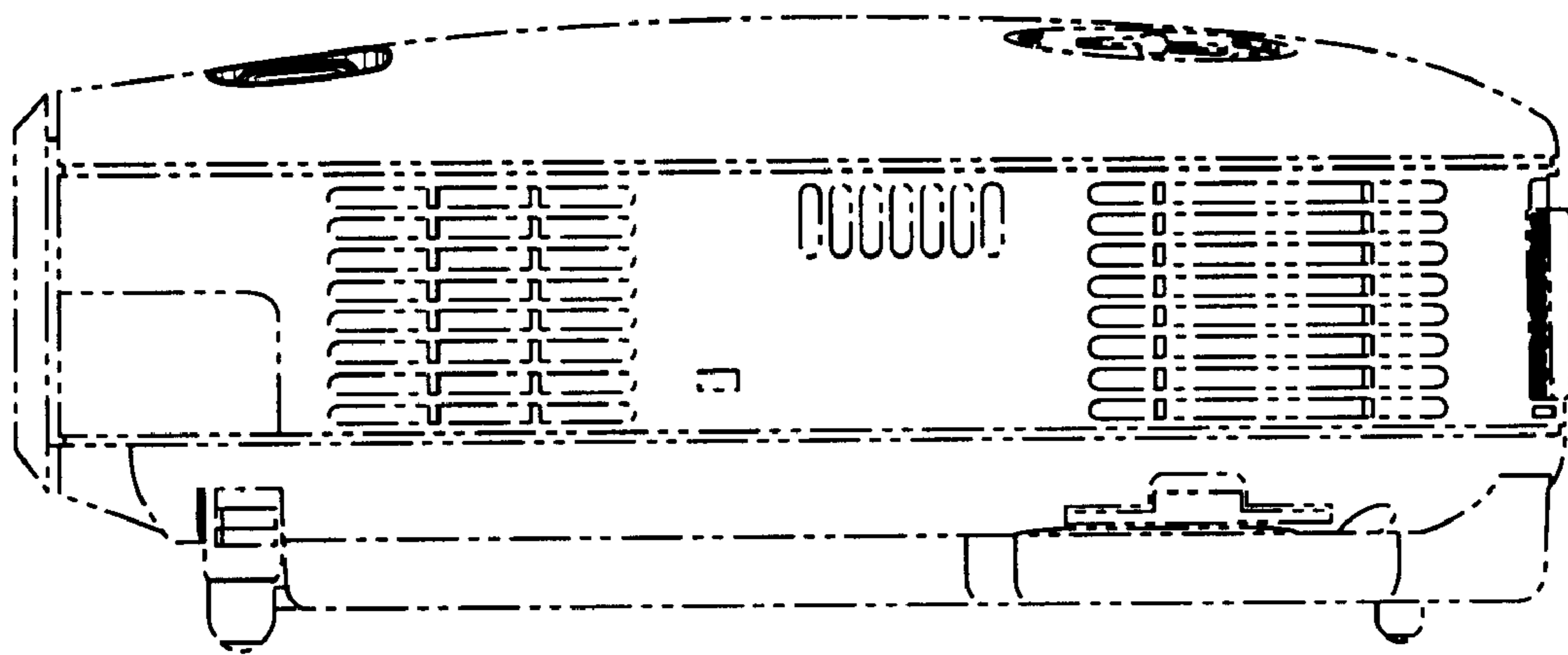


Fig. 5

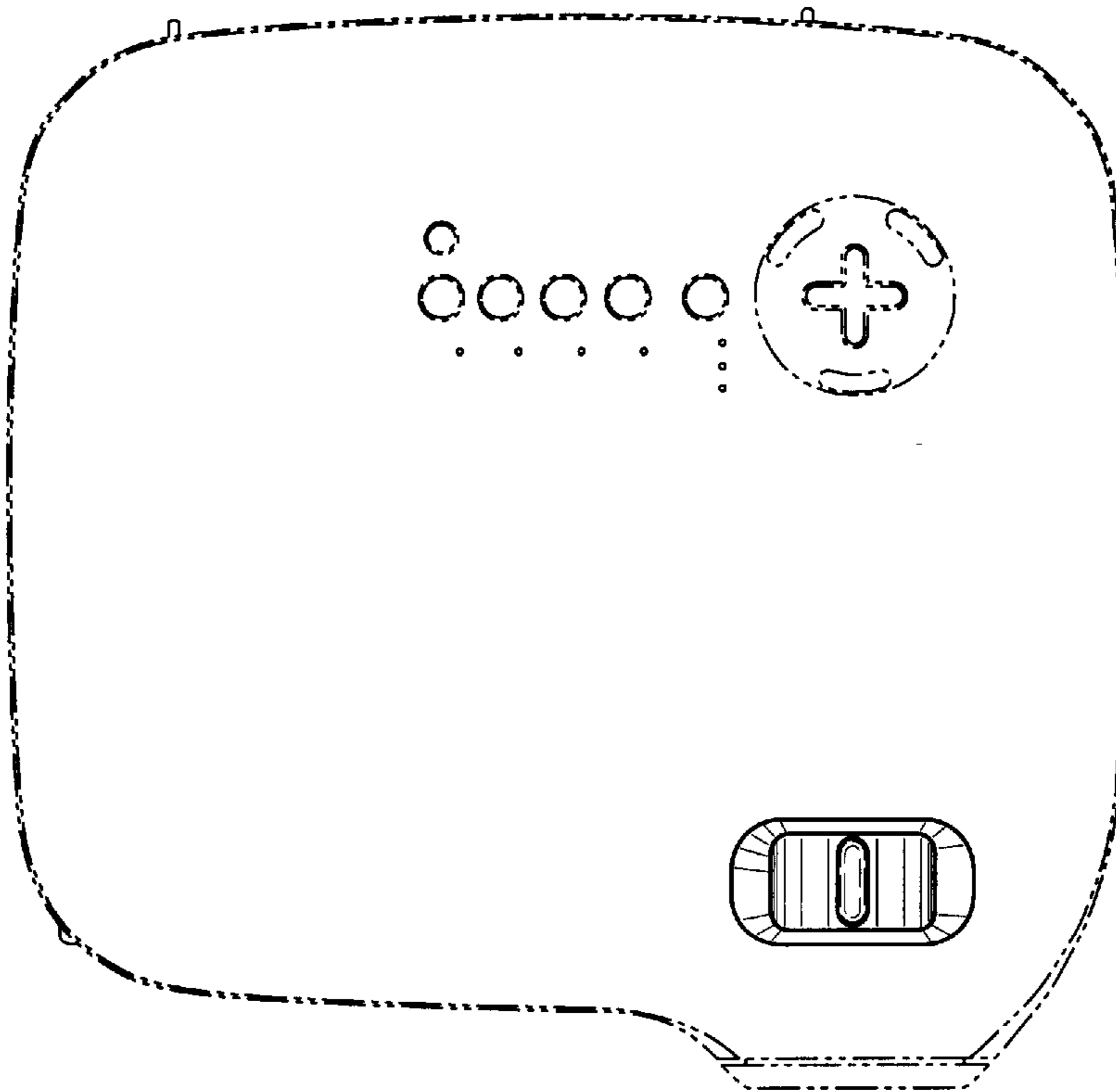


Fig. 6

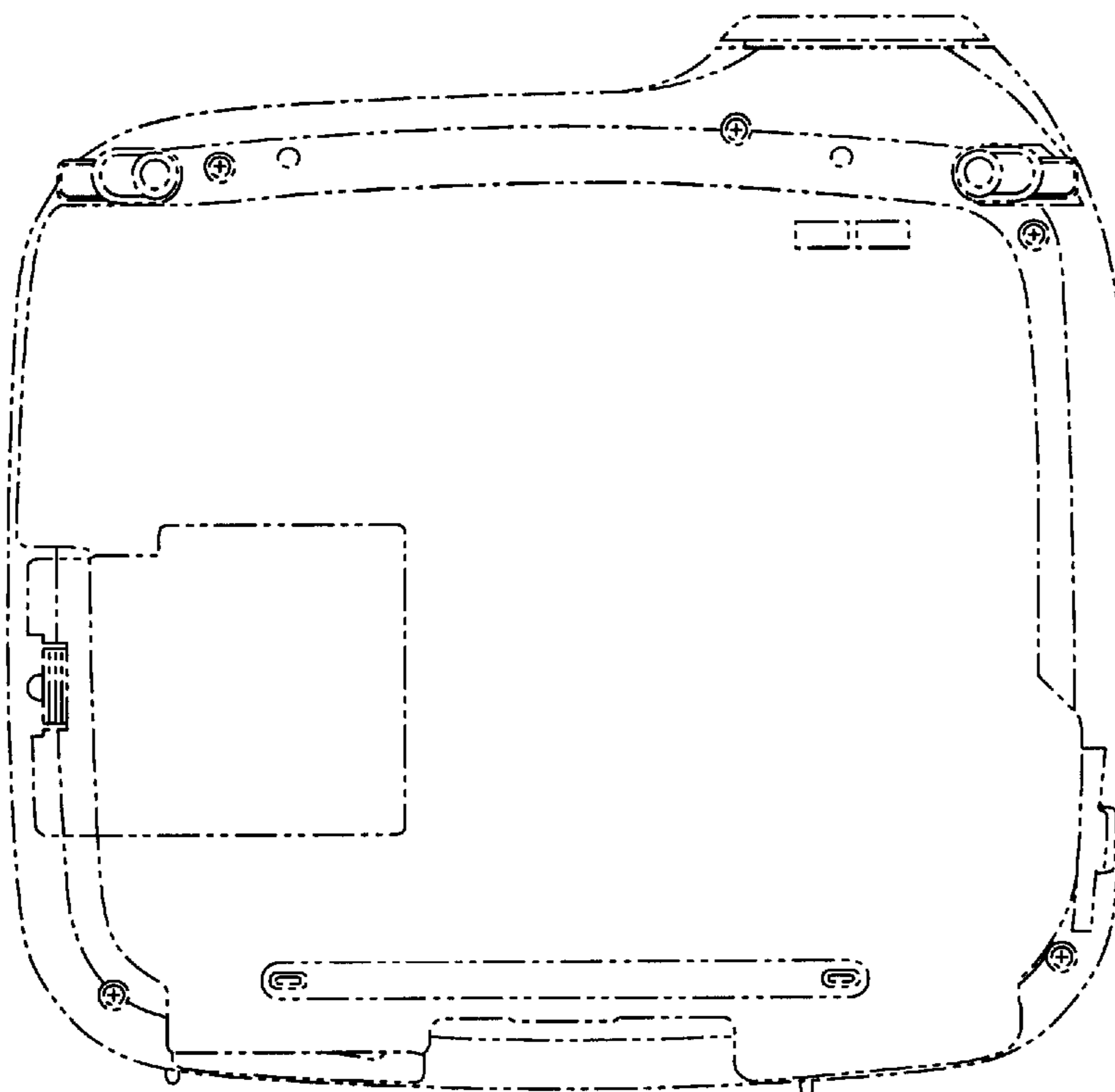


Fig. 7