



US00D522037S

(12) **United States Design Patent**  
**Inoue et al.**

(10) **Patent No.:** **US D522,037 S**

(45) **Date of Patent:** **\*\* May 30, 2006**

(54) **PROJECTOR**

(75) Inventors: **Shigeo Inoue**, Tokyo (JP); **Susumu Ogawa**, Tokyo (JP); **Masayuki Agaishi**, Tokyo (JP); **Junsi Lee**, Tokyo (JP); **Naoto Fukasawa**, Tokyo (JP); **Tsunao Nagasaki**, Tokyo (JP)

(73) Assignee: **NEC Viewtechnology, Ltd.**, Tokyo (JP)

(\*\*) Term: **14 Years**

(21) Appl. No.: **29/224,195**

(22) Filed: **Feb. 28, 2005**

(30) **Foreign Application Priority Data**

Sep. 1, 2004 (JP) ..... 2004-026368

(51) **LOC (8) Cl.** ..... **16-02**

(52) **U.S. Cl.** ..... **D16/230; D16/225**

(58) **Field of Classification Search** ..... D16/205, D16/208, 221, 225, 229, 230, 231, 234, 235; D21/514; 353/115, 119, 122

See application file for complete search history.

(56) **References Cited**

**U.S. PATENT DOCUMENTS**

D398,321 S \* 9/1998 Iida ..... D16/230

D479,551 S \* 9/2003 Min et al. .... D16/230  
D489,391 S \* 5/2004 Morishita et al. .... D16/225  
D492,339 S \* 6/2004 Niitsu ..... D16/230  
6,869,192 B1 \* 3/2005 Hamada ..... 353/119  
D510,098 S \* 9/2005 Ishikawa et al. .... D16/231

\* cited by examiner

*Primary Examiner*—Adir Aronovich

(74) *Attorney, Agent, or Firm*—Sughrue Mion, PLLC

(57) **CLAIM**

The ornamental design for a projector, as shown and described.

**DESCRIPTION**

FIG. 1 is a perspective view of the top, left side and front of a projector showing our new design;

FIG. 2 is a front elevation view thereof;

FIG. 3 is a back elevation view thereof;

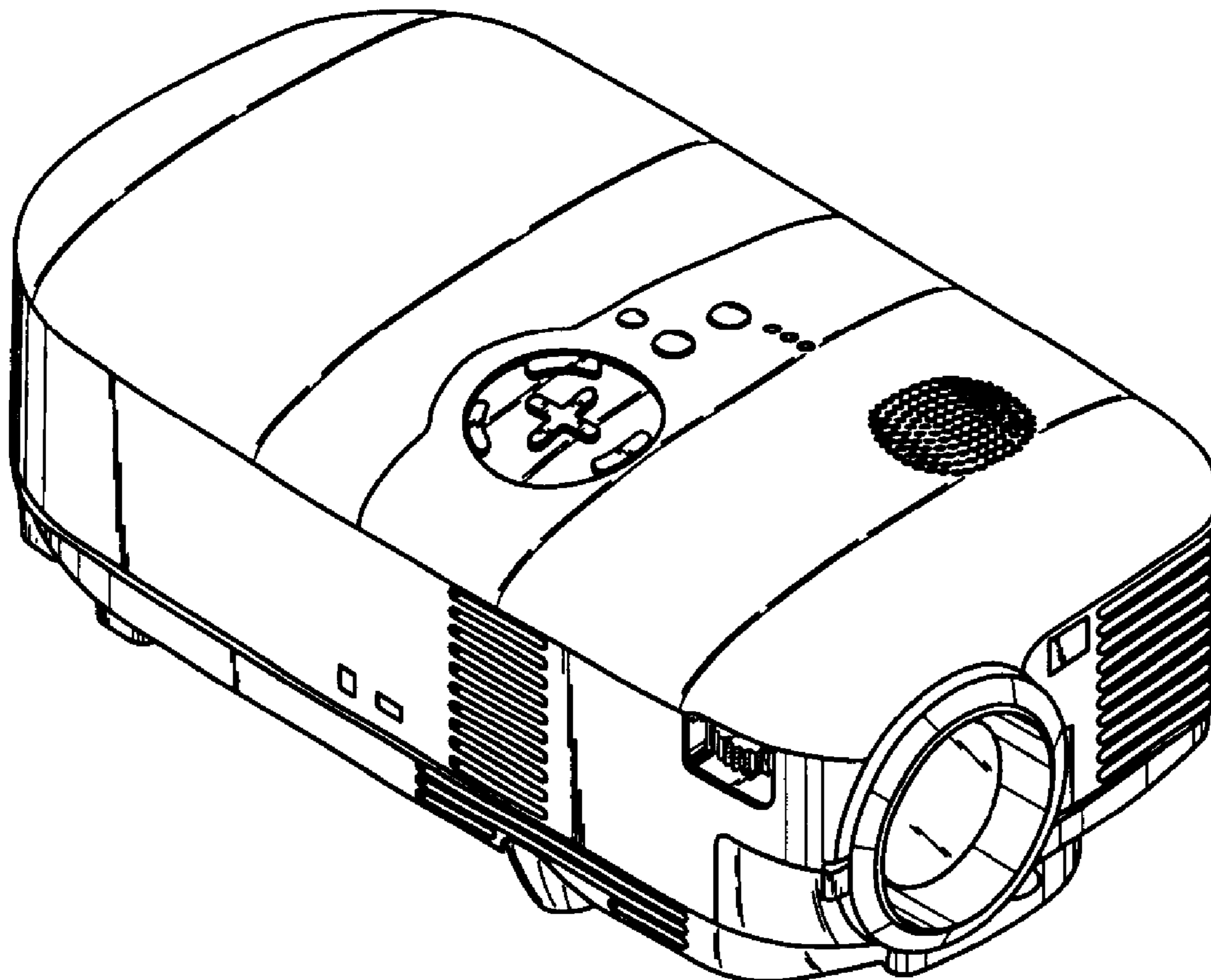
FIG. 4 is a left side elevation view thereof;

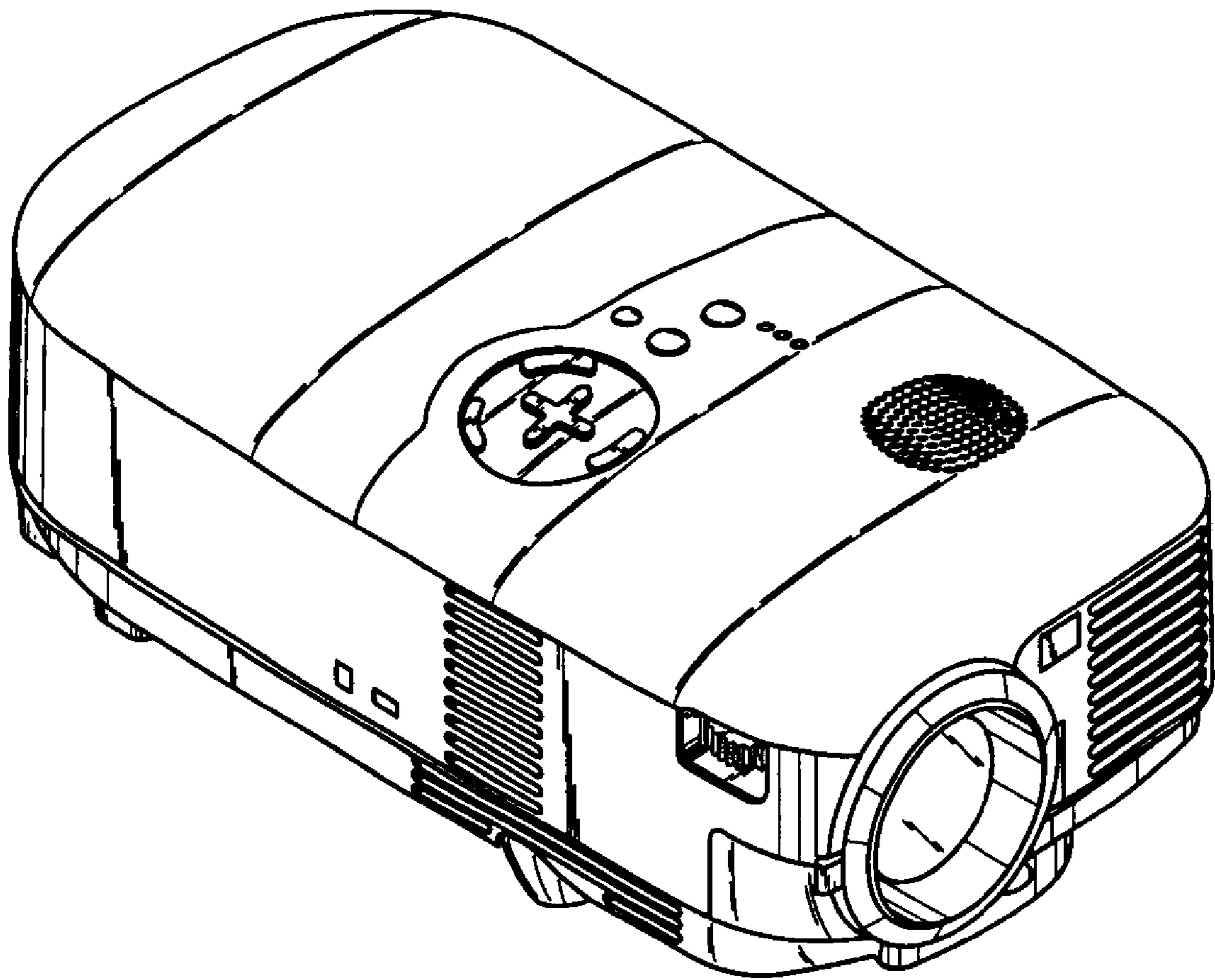
FIG. 5 is a right side elevation view thereof;

FIG. 6 is a top plan view thereof; and,

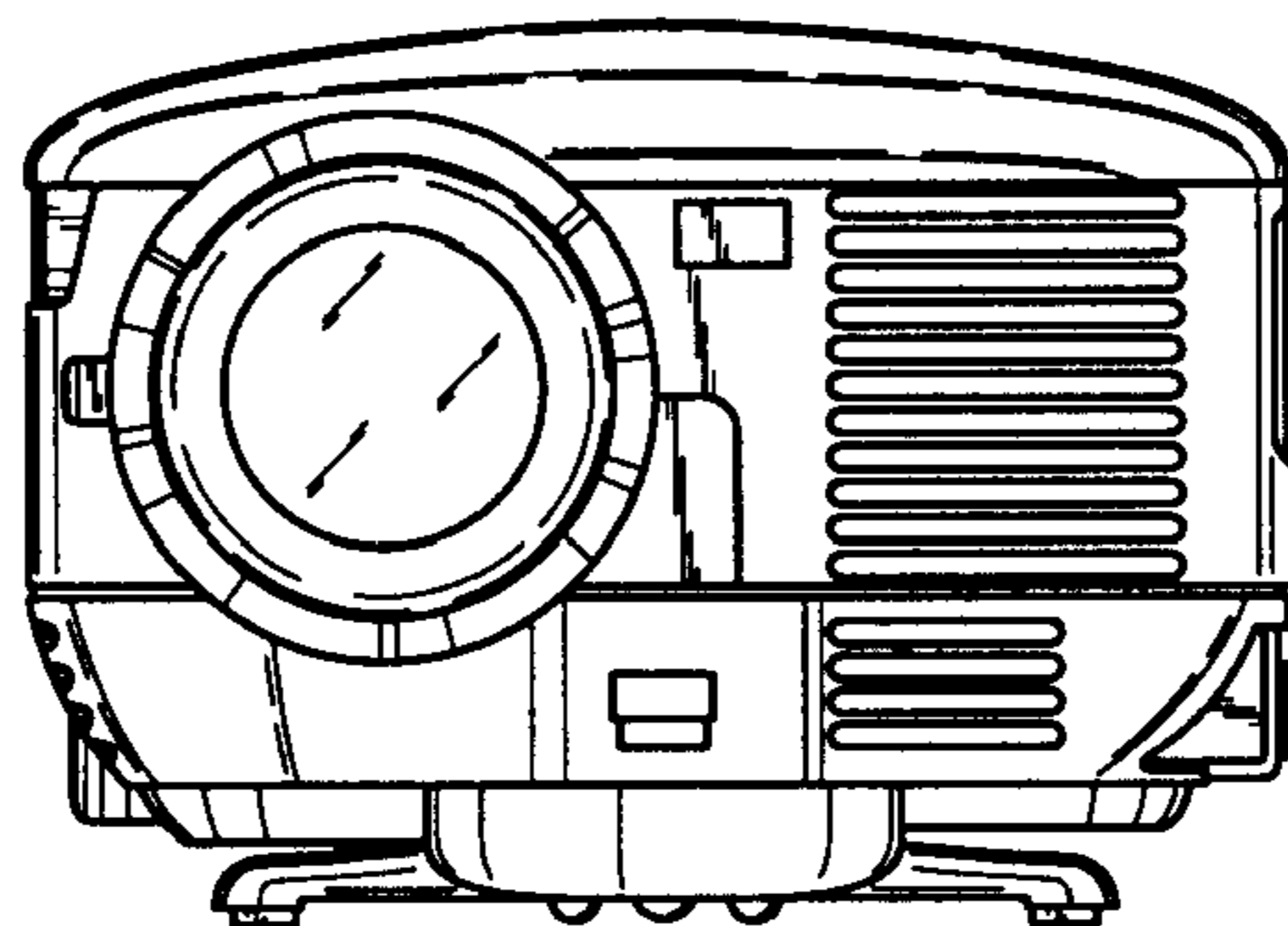
FIG. 7 is a bottom plan view thereof.

**1 Claim, 4 Drawing Sheets**

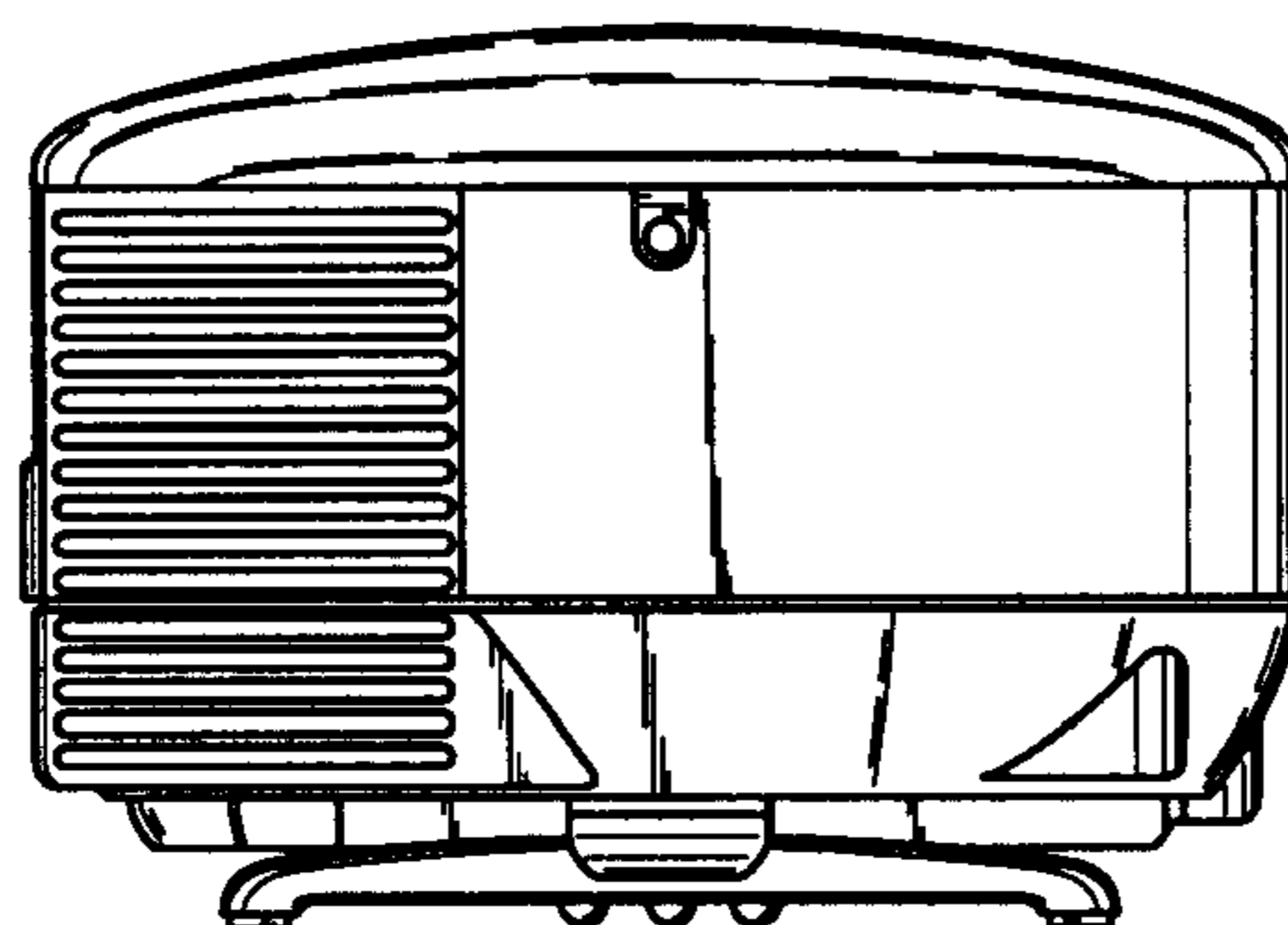




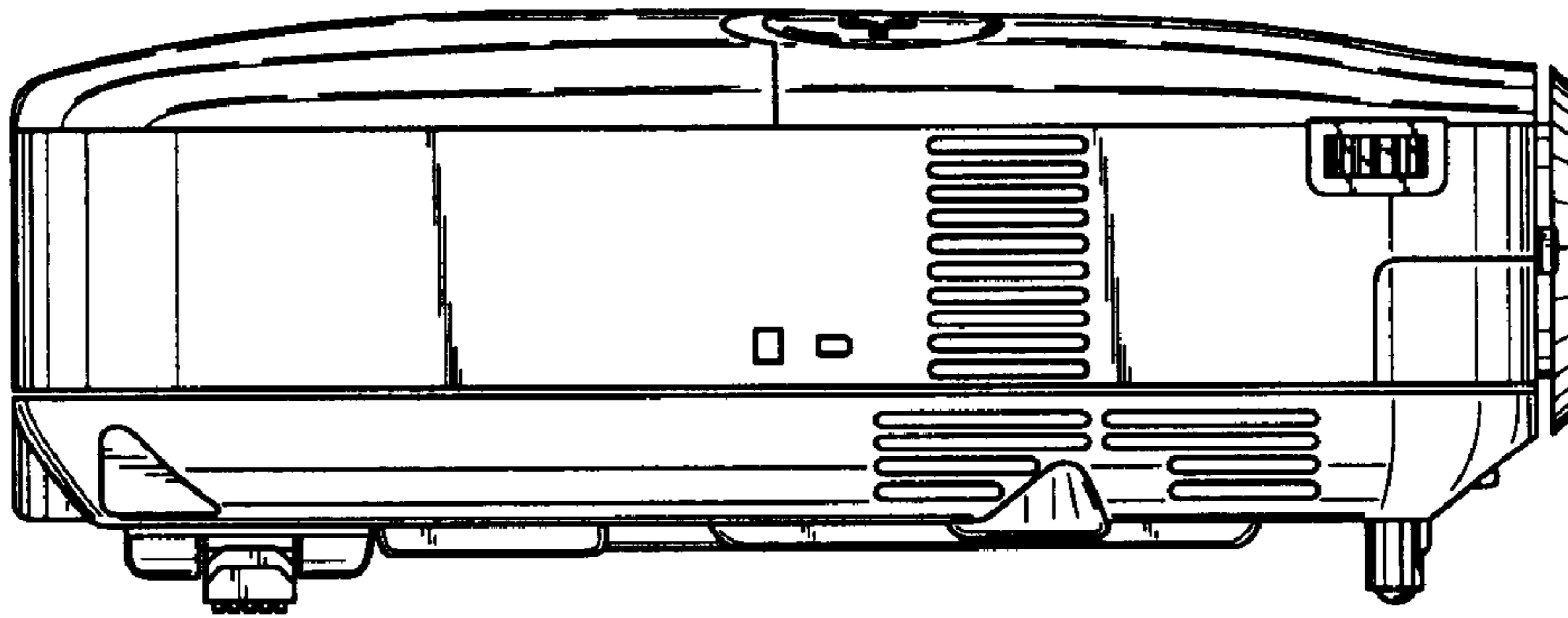
*Fig. 1*



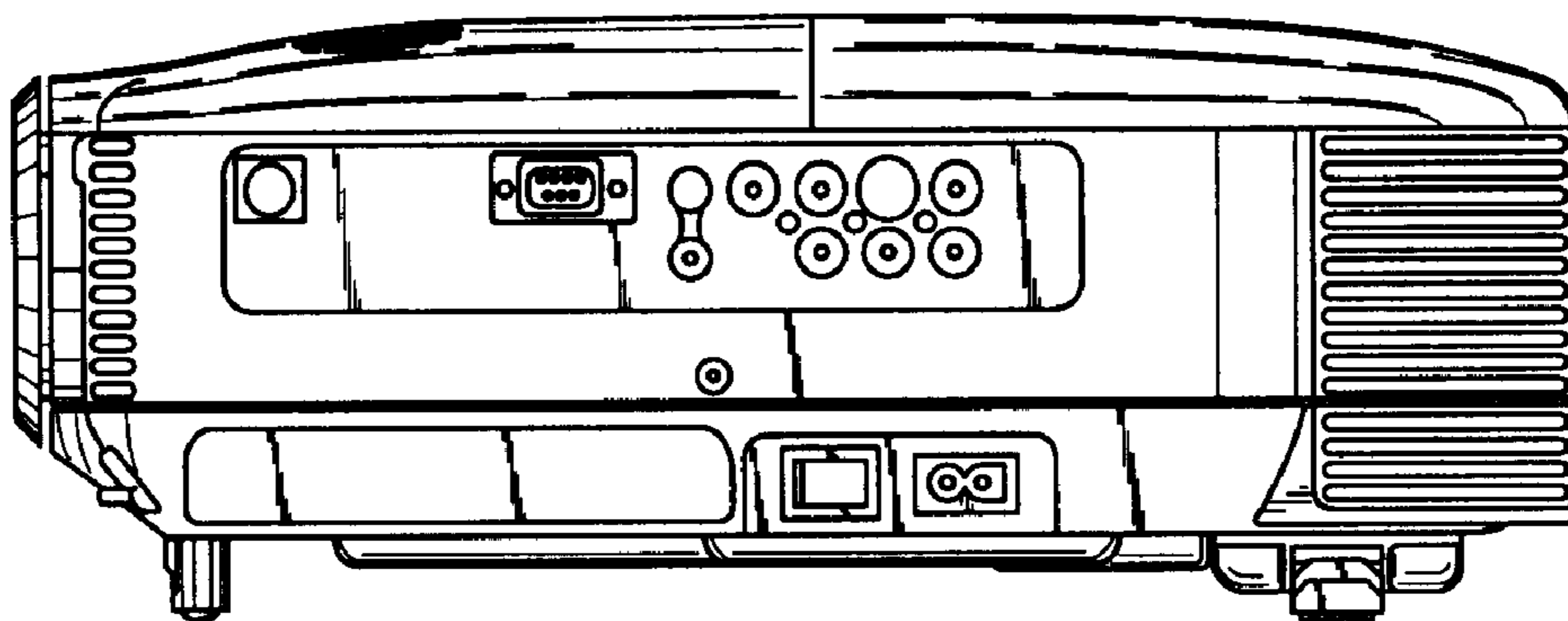
*Fig. 2*



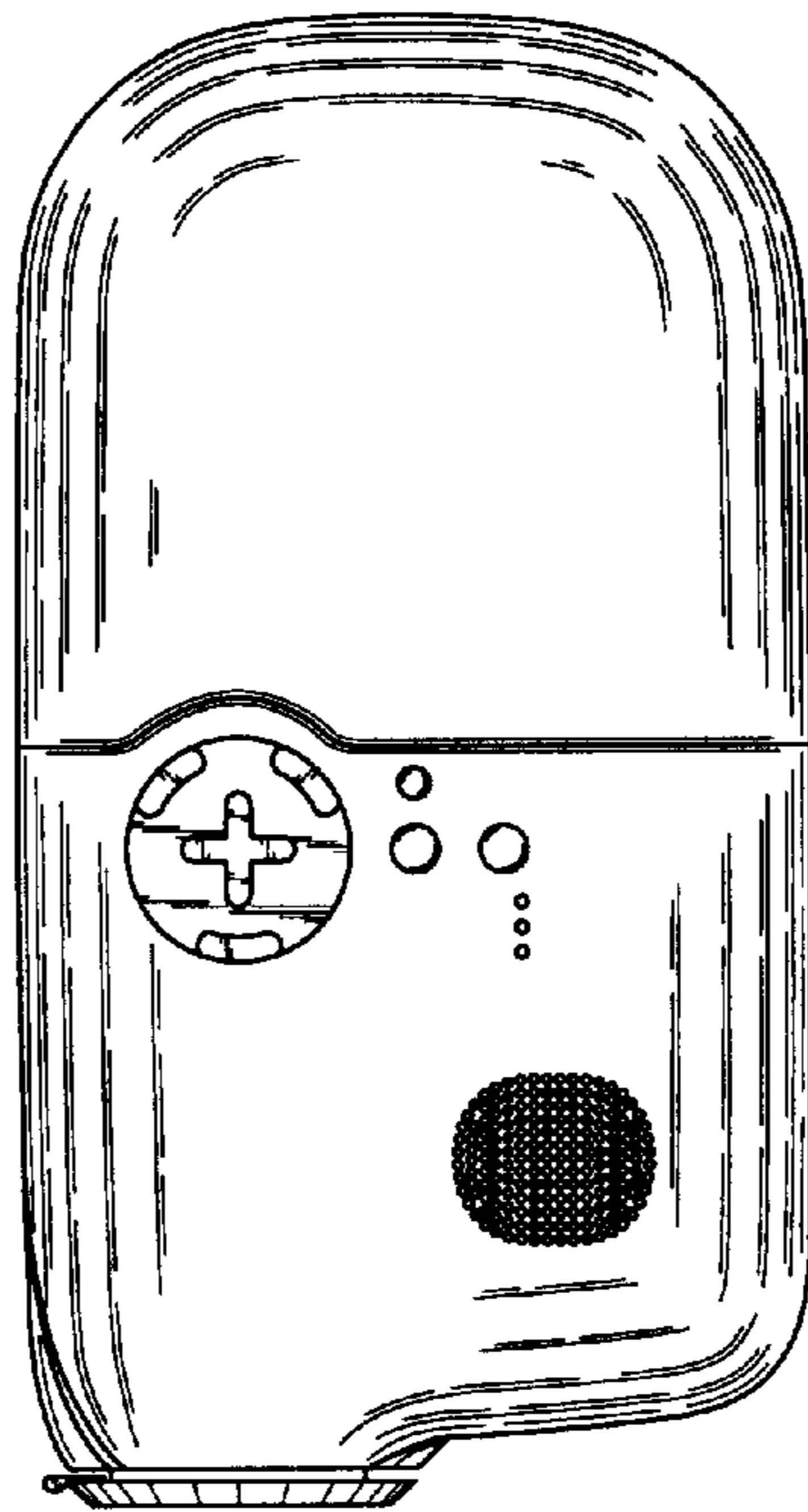
*Fig. 3*



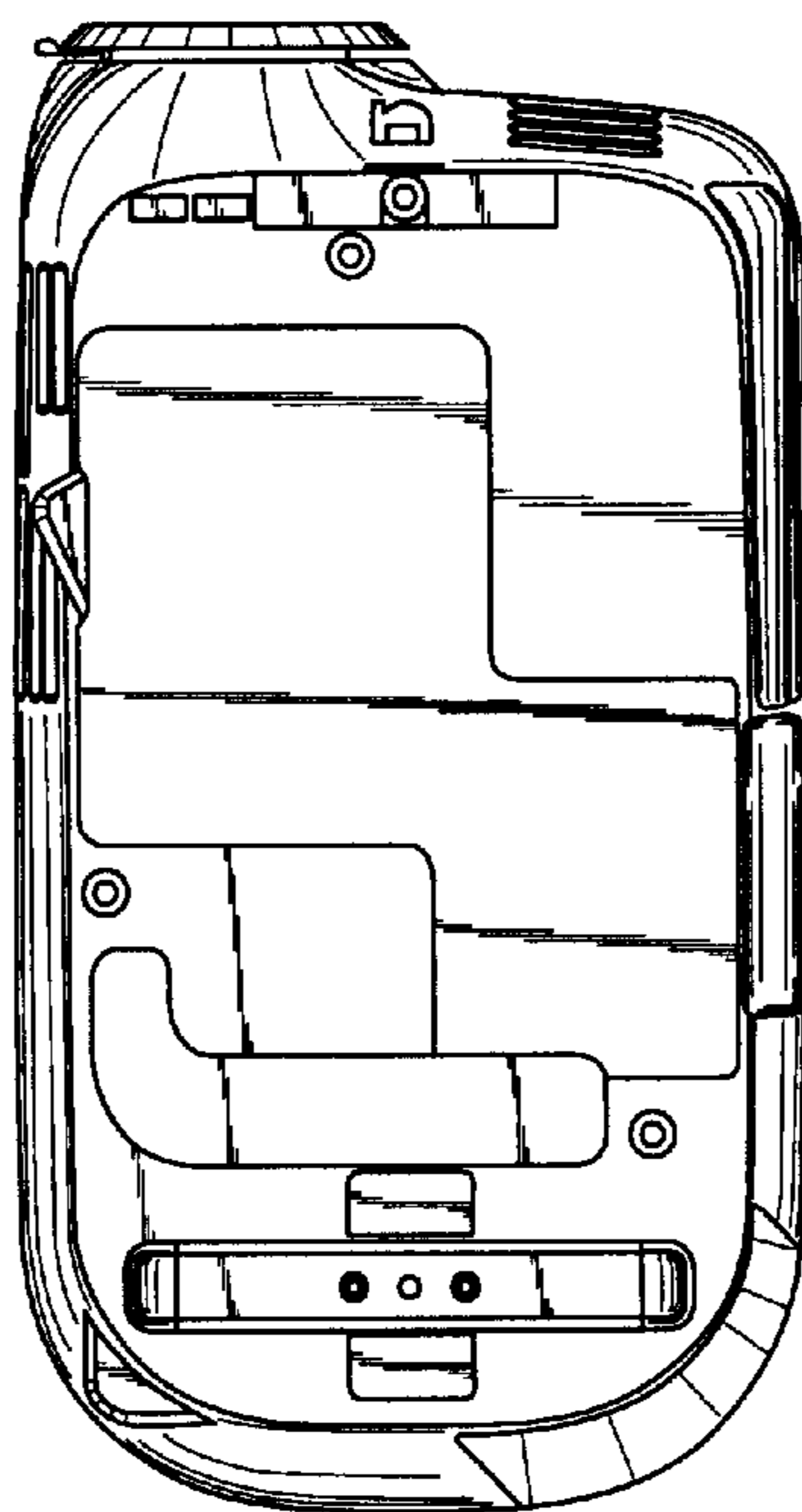
*Fig. 4*



*Fig. 5*



*Fig. 6*



*Fig. 7*