

US00D522036S

(12) **United States Design Patent**
Nagayama et al.

(10) **Patent No.:** **US D522,036 S**

(45) **Date of Patent:** **** May 30, 2006**

(54) **DIGITAL CAMERA**

(75) Inventors: **Yosuke Nagayama**, Tokyo (JP); **Naoya Nishizawa**, Tokyo (JP)

(73) Assignee: **Casio Keisanki Kabushiki Kaisha**, Tokyo (JP)

(**) Term: **14 Years**

(21) Appl. No.: **29/218,212**

(22) Filed: **Nov. 29, 2004**

(51) **LOC (8) Cl.** **16-01**

(52) **U.S. Cl.** **D16/219; D16/202**

(58) **Field of Classification Search** D16/200–205,
D16/208, 218, 219; 348/373–376; 358/909.1;
396/535–541

See application file for complete search history.

(56) **References Cited**

U.S. PATENT DOCUMENTS

- D469,795 S * 2/2003 Ito D16/219
- D495,352 S * 8/2004 Sakaguchi et al. D16/202
- D496,380 S * 9/2004 Isomoto D16/202
- D501,497 S * 2/2005 Hayamizu D16/202

- D502,479 S * 3/2005 Nishizawa et al. D16/202
- D502,480 S * 3/2005 Nagayama D16/202
- D502,485 S * 3/2005 Nagayama D16/219
- D502,723 S * 3/2005 Nagayama et al. D16/219

* cited by examiner

Primary Examiner—Adir Aronovich

(74) *Attorney, Agent, or Firm*—Frishauf, Holtz, Goodman & Chick, P.C.

(57) **CLAIM**

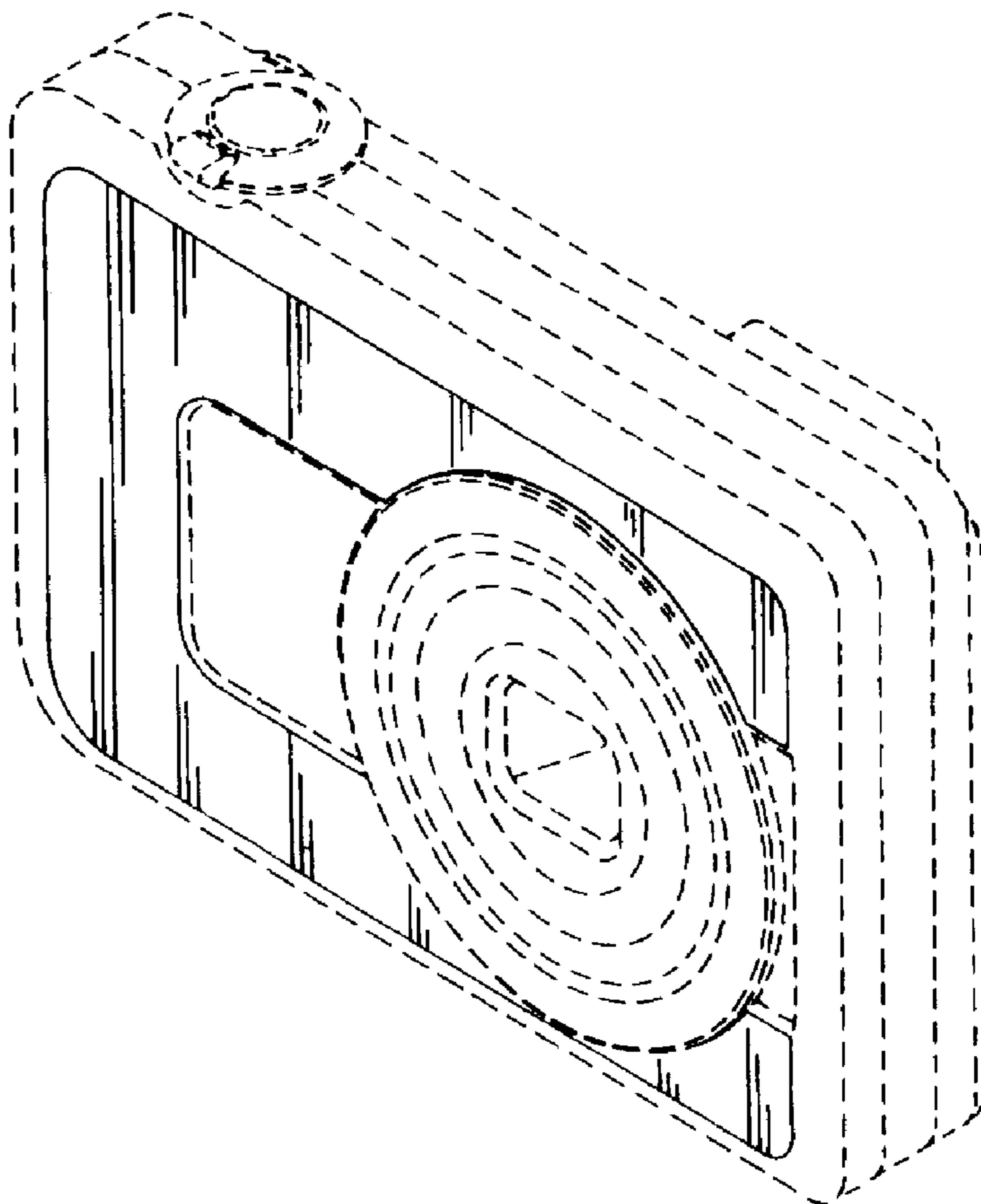
The ornamental design for digital camera, as shown and described.

DESCRIPTION

FIG. 1 is a reduced scale top, front, right side perspective view of a digital camera showing our new design; FIG. 2 is a front elevational view thereof; FIG. 3 is a rear elevational view thereof; FIG. 4 is a left side view thereof; FIG. 5 is a right side view thereof; FIG. 6 is a top plan view thereof; and, FIG. 7 is a bottom plan view thereof.

The broken line showing is for illustrative purposes only and forms no part of the claimed design.

1 Claim, 4 Drawing Sheets



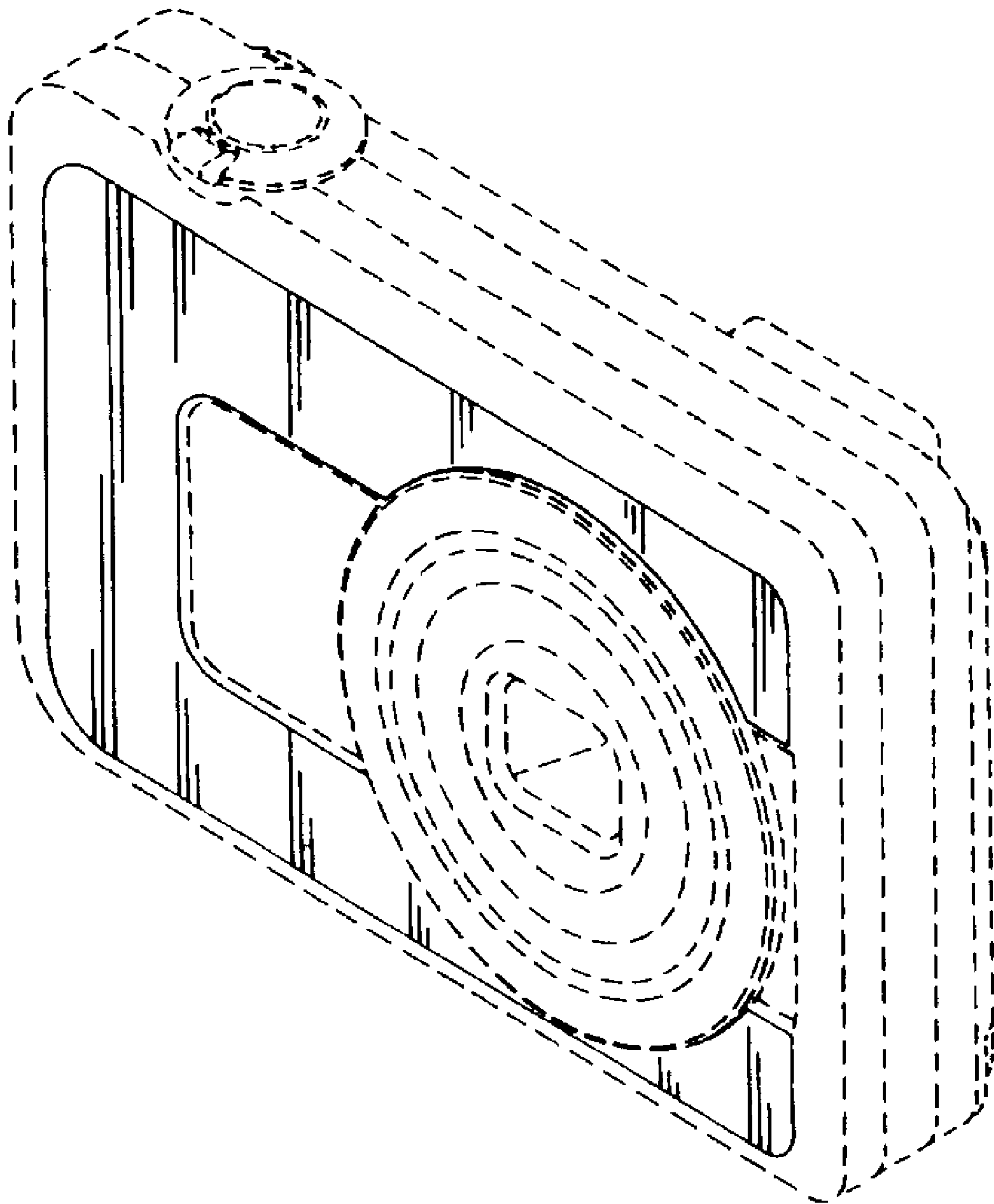


FIG. 1

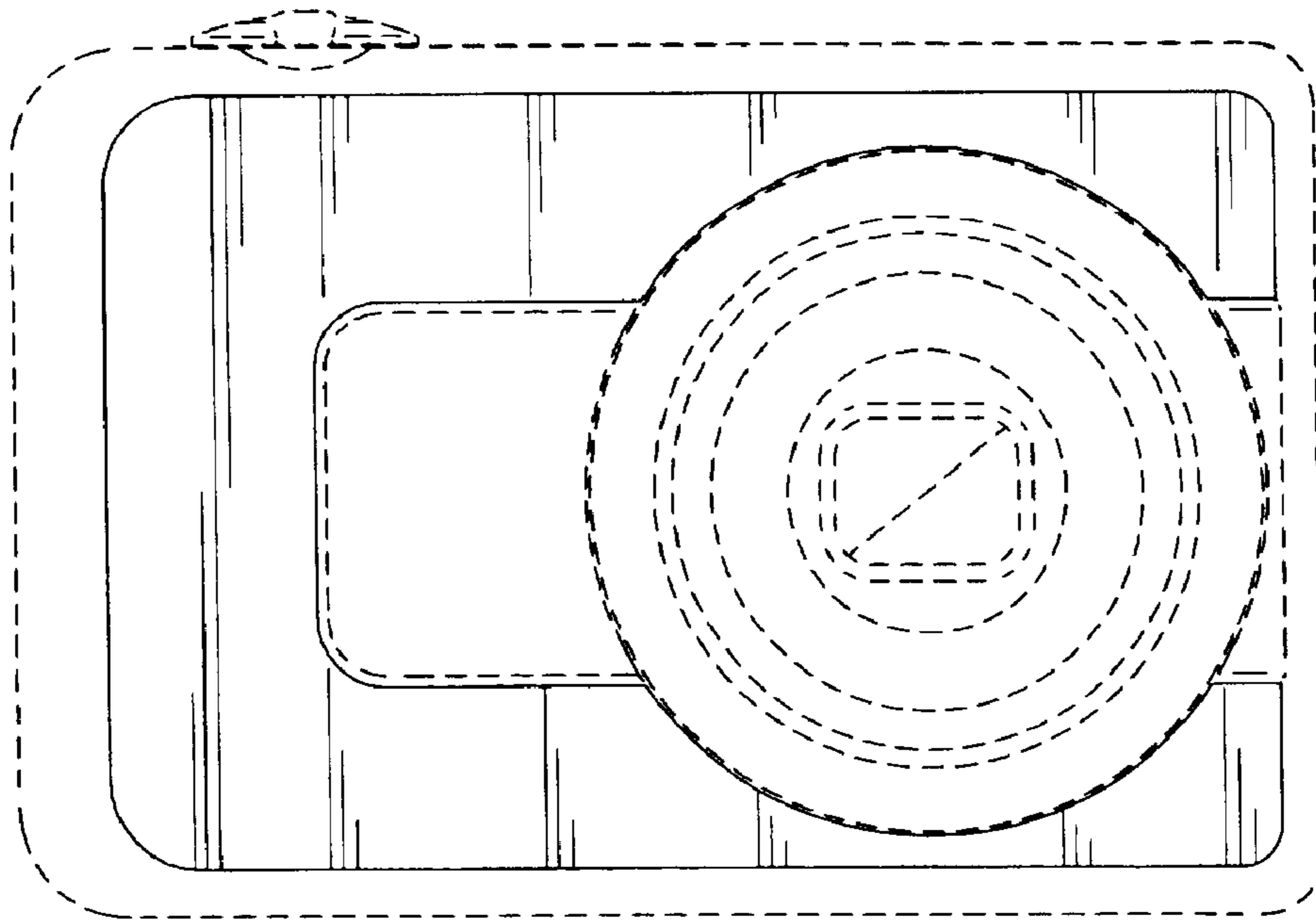


FIG. 2

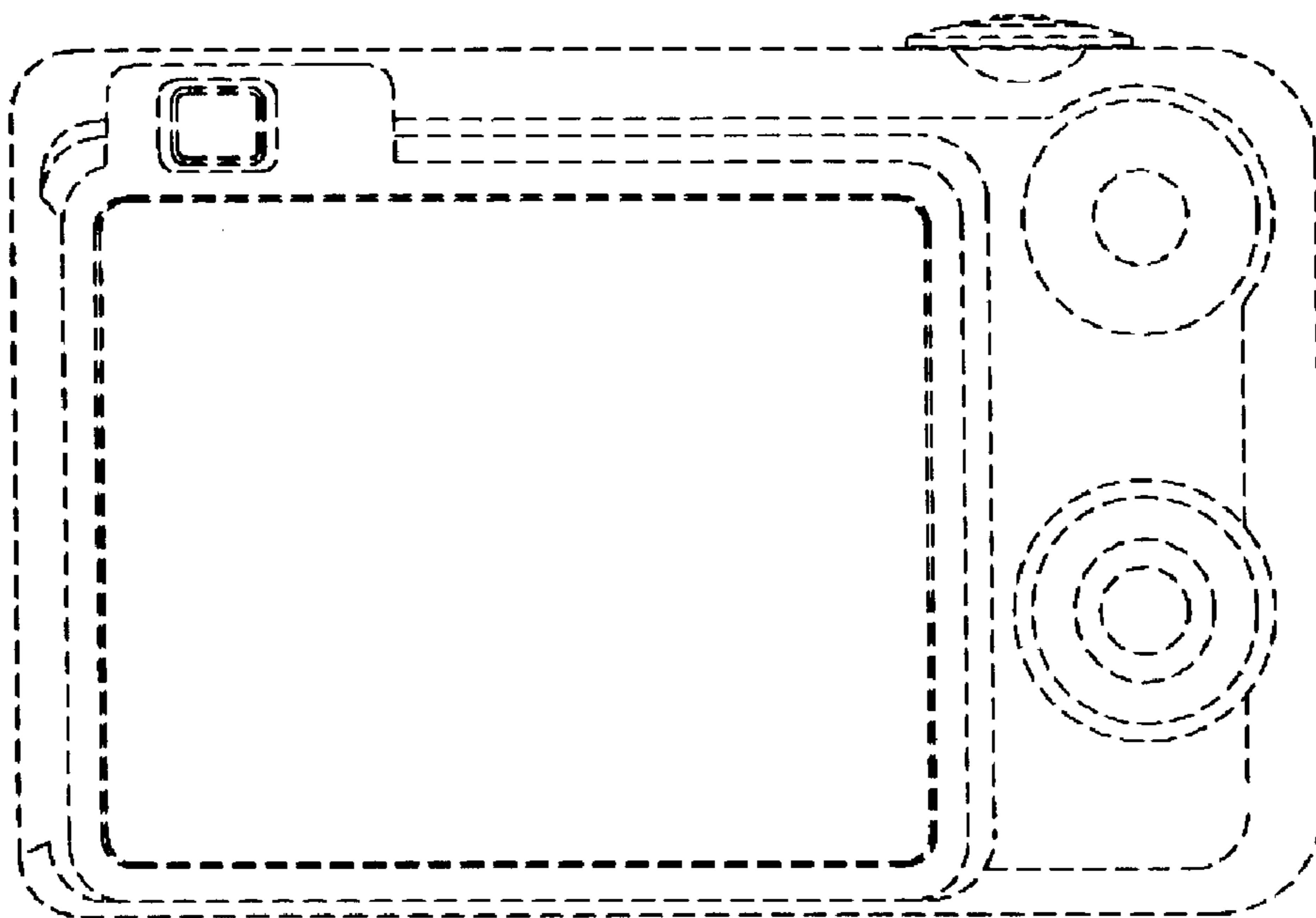


FIG. 3

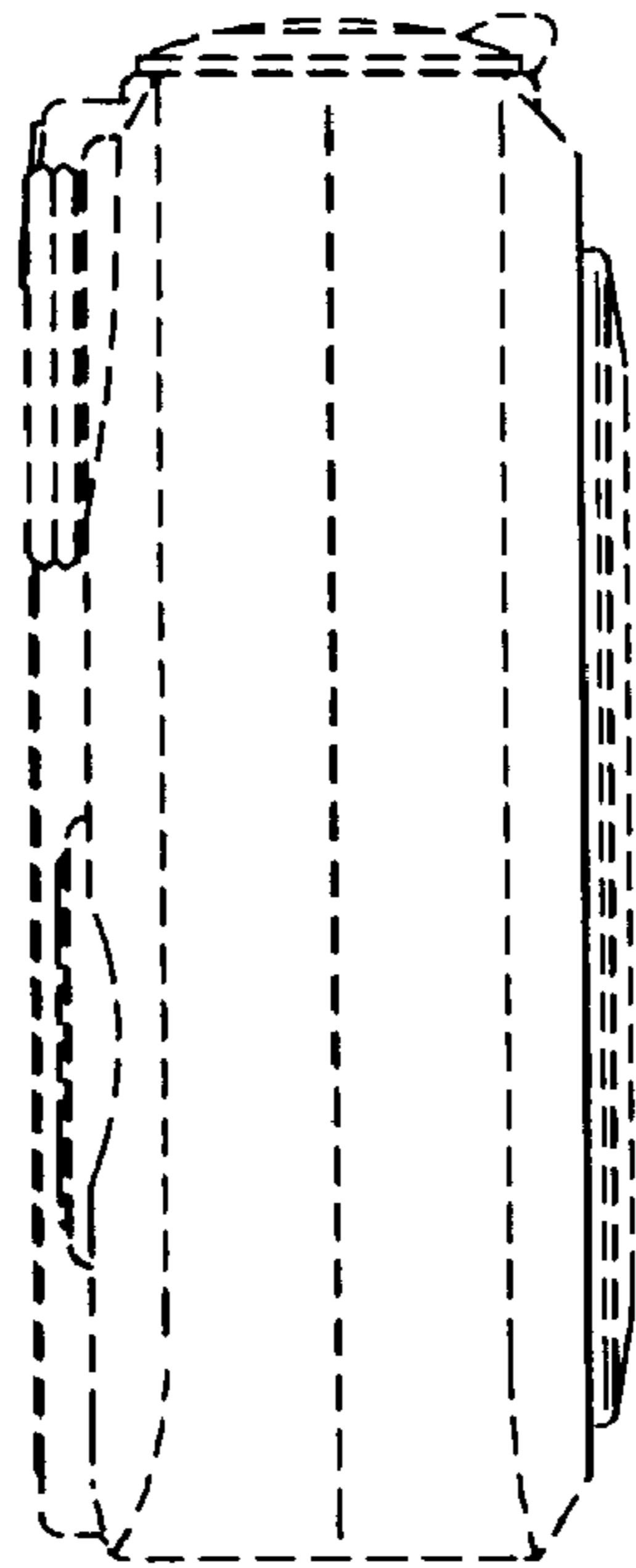


FIG. 4

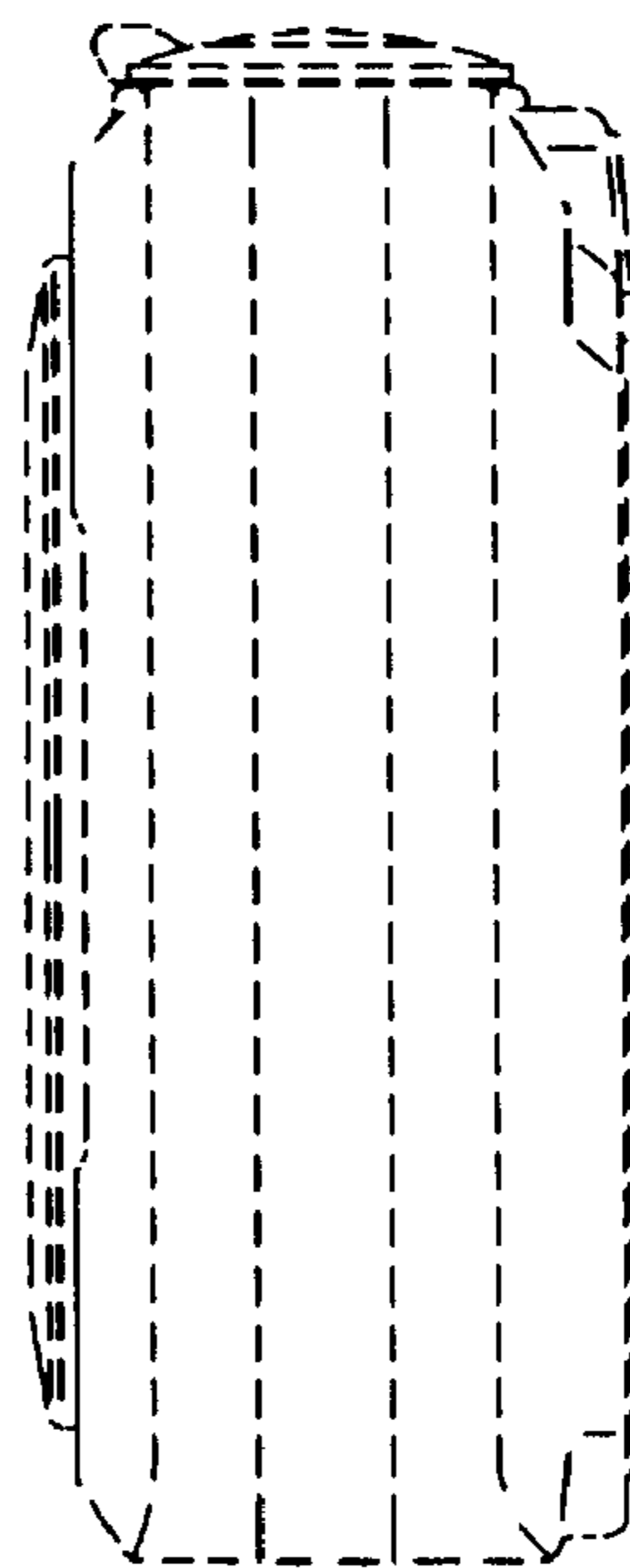


FIG. 5

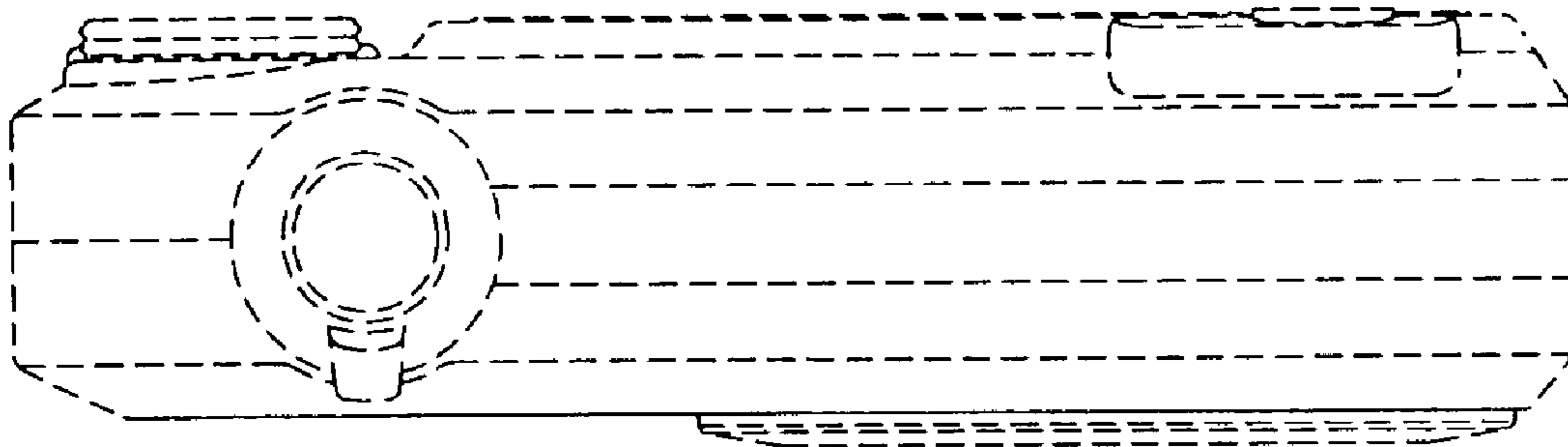


FIG. 6

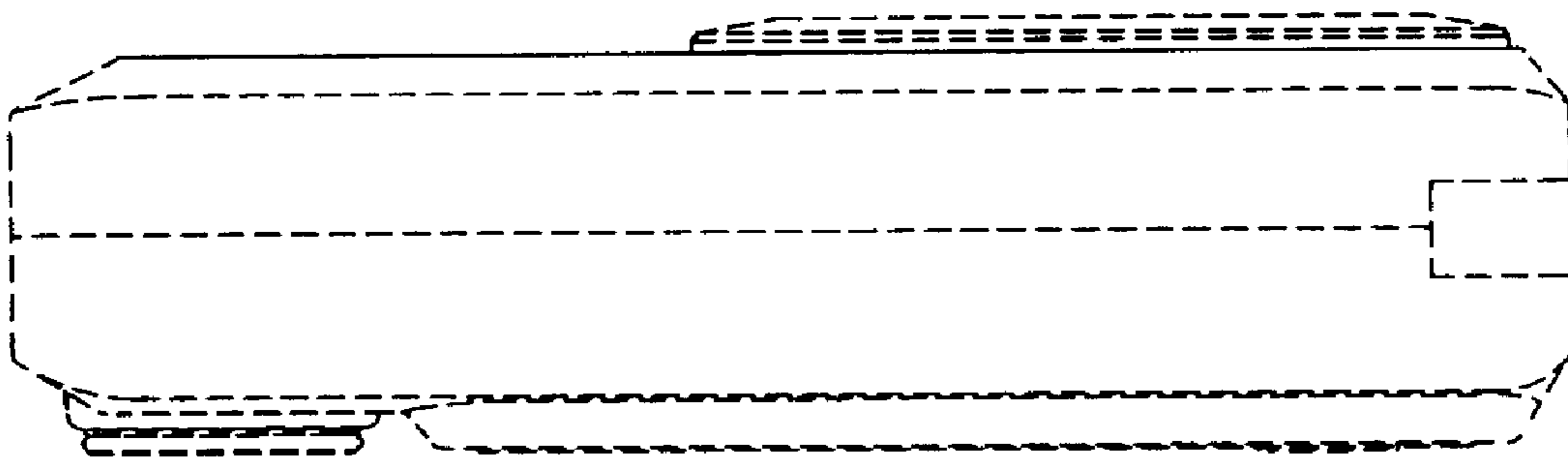


FIG. 7