



US00D522033S

(12) **United States Design Patent**
Kitera

(10) **Patent No.:** **US D522,033 S**

(45) **Date of Patent:** **** May 30, 2006**

(54) **BINOCULARS**

D430,586 S * 9/2000 Inaba D16/133
D502,718 S * 3/2005 Matsushita D16/133

(75) Inventor: **Jun Kitera**, Tokyo (JP)

FOREIGN PATENT DOCUMENTS

(73) Assignee: **PENTAX Corporation**, Tokyo (JP)

JP 1244139 S 6/2005

(**) Term: **14 Years**

OTHER PUBLICATIONS

(21) Appl. No.: **29/231,315**

U.S. Appl. No. 29/231, 309, filed Jun. 3, 2005, Jun Kitera.

(22) Filed: **Jun. 3, 2005**

* cited by examiner

(30) **Foreign Application Priority Data**

Primary Examiner—Paula A. Greene

Dec. 10, 2004 (JP) 2004-037768

(74) *Attorney, Agent, or Firm*—Sughrue Mion, PLLC

(51) **LOC (8) Cl.** **16-06**

(57) **CLAIM**

(52) **U.S. Cl.** **D16/133**

The ornamental design for binoculars, as shown.

(58) **Field of Classification Search** D16/130,
D16/133; 359/407, 408, 409, 410, 411, 412,
359/413, 414, 415, 416, 417, 418, 480, 481,
359/482

DESCRIPTION

See application file for complete search history.

FIG. 1 is a perspective view of the top, front and right side of binoculars showing my new design;

FIG. 2 is a perspective view of the bottom, rear and left side thereof;

FIG. 3 is a front elevational view thereof;

FIG. 4 is a rear elevational view thereof;

FIG. 5 is a right side elevational view thereof, the left side being a mirror image;

FIG. 6 is a top plan view thereof; and,

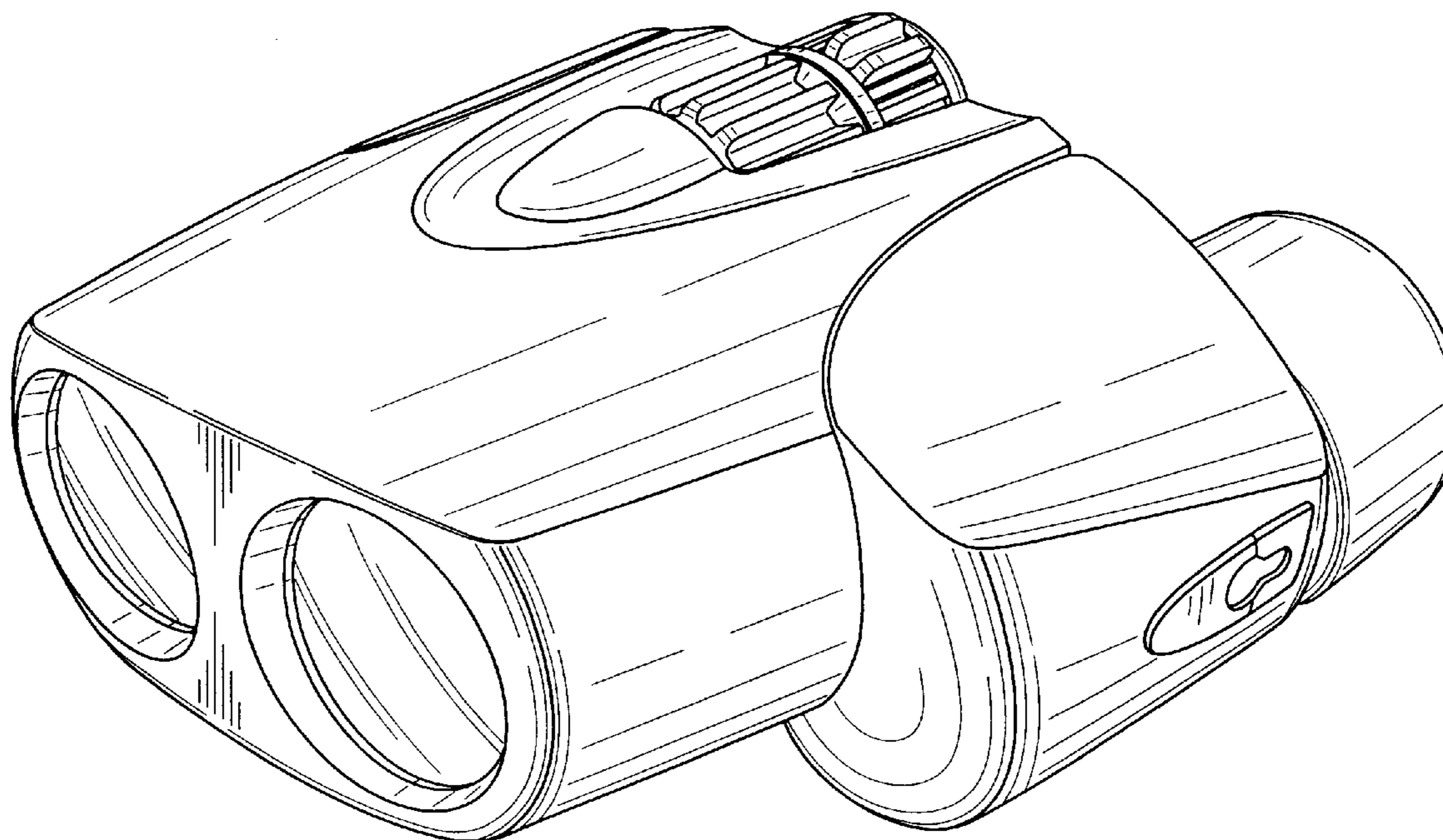
FIG. 7 is a bottom plan view thereof.

(56) **References Cited**

U.S. PATENT DOCUMENTS

D306,606 S * 3/1990 Yamanaka et al. D16/133
D360,215 S * 7/1995 Moro et al. D16/133
D364,631 S * 11/1995 Hamamura D16/133
D375,106 S * 10/1996 Matsuda et al. D16/133
D376,167 S * 12/1996 Hayamizu D16/133

1 Claim, 5 Drawing Sheets



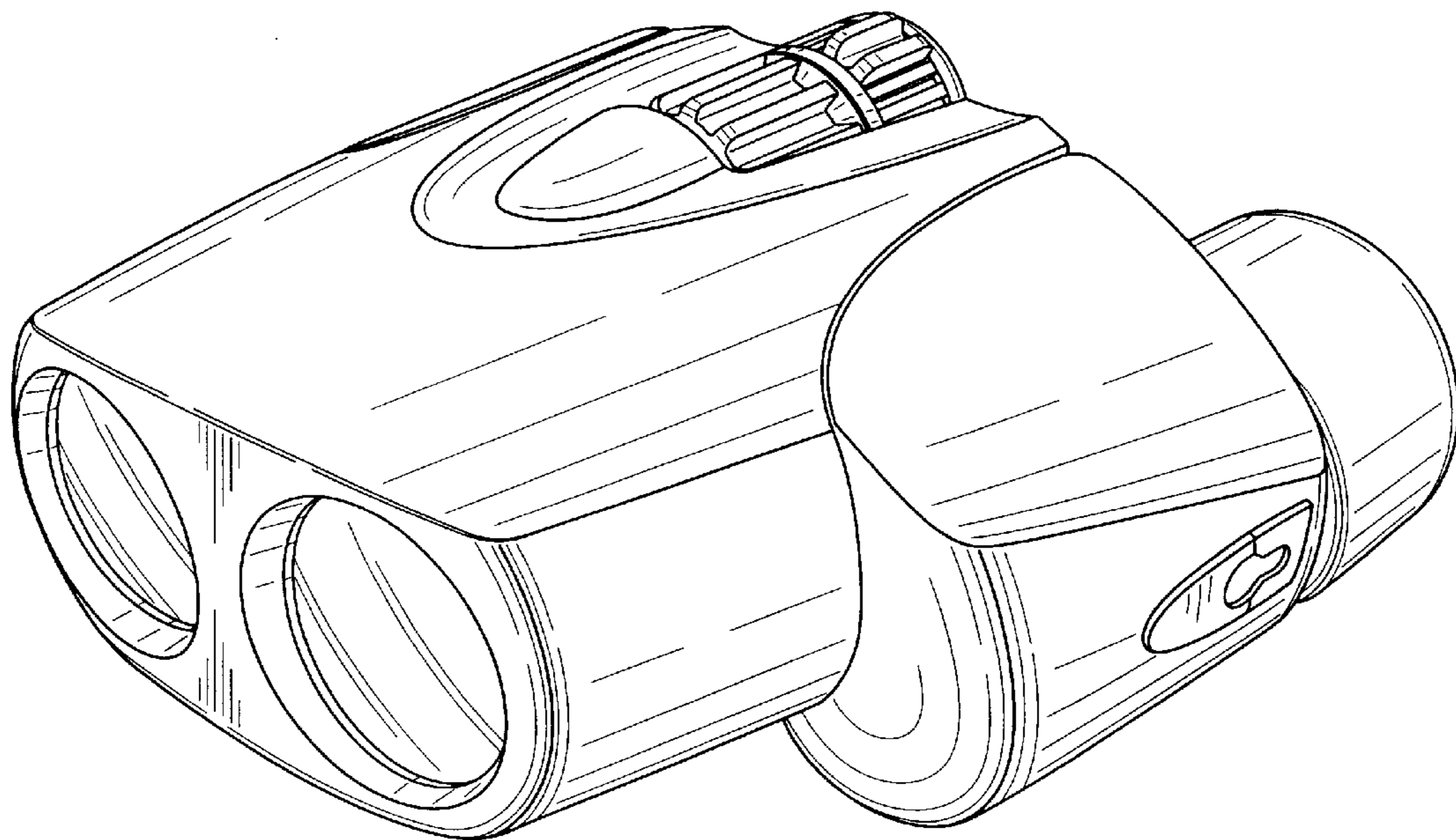


FIG. 1

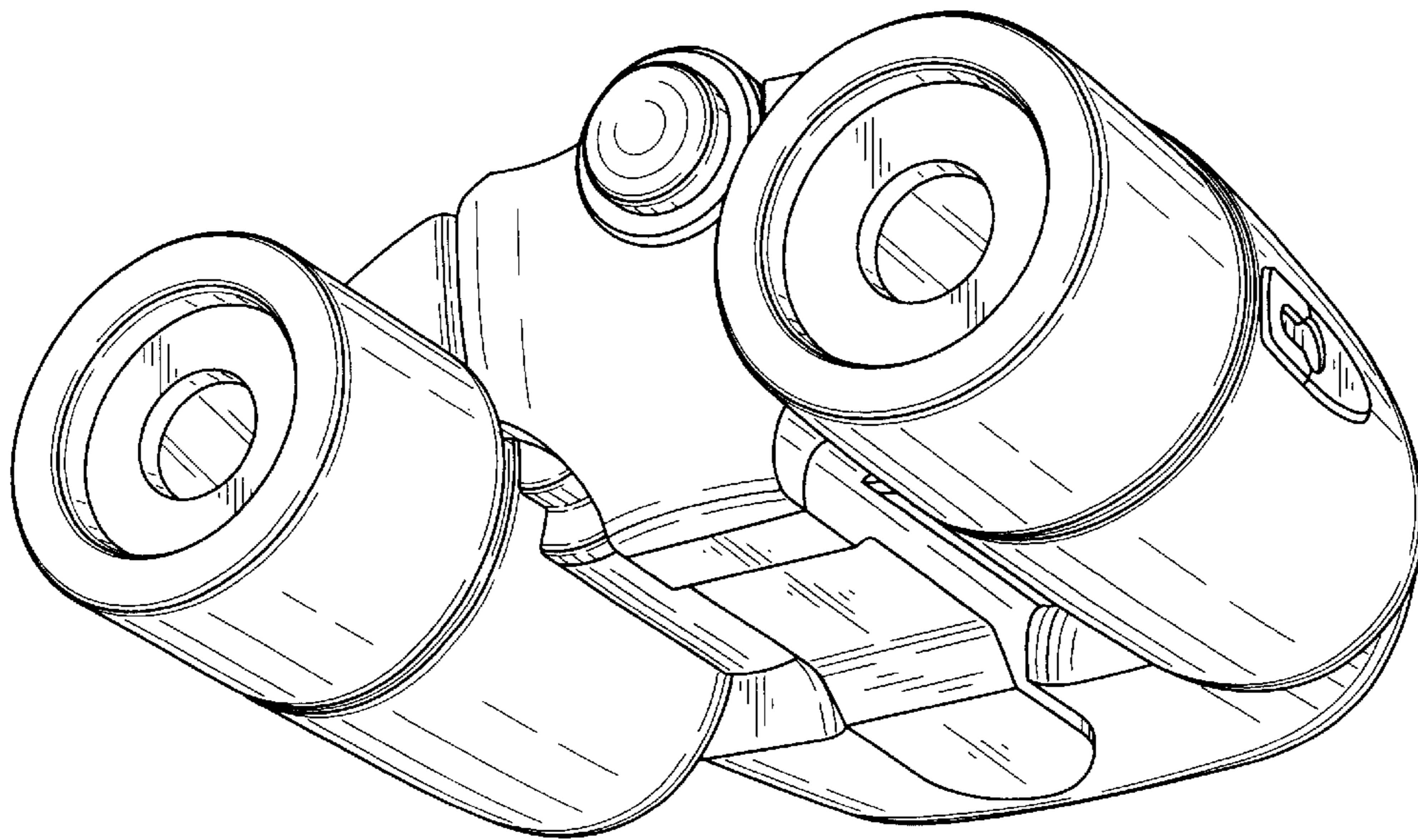


FIG. 2

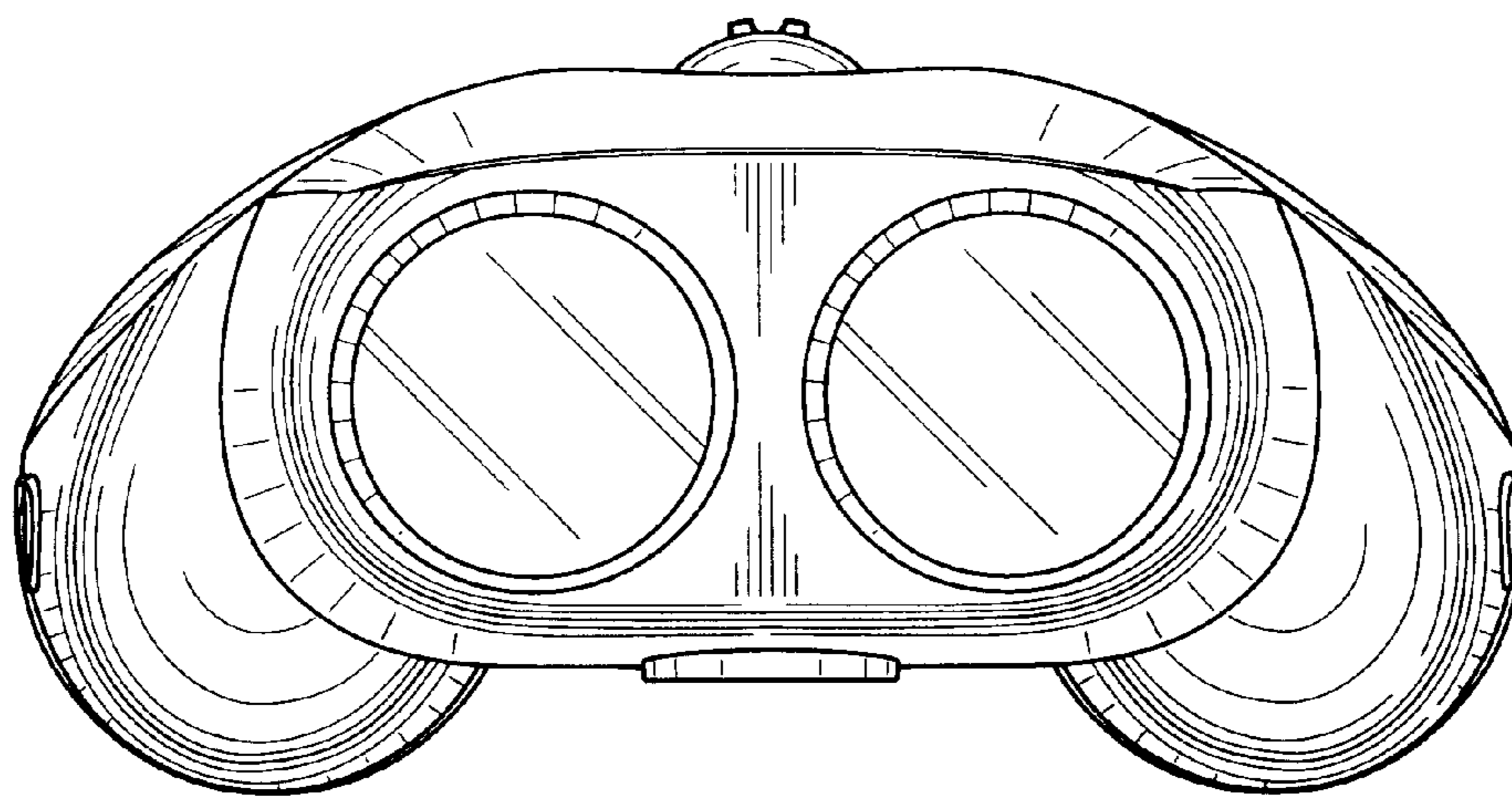


FIG. 3

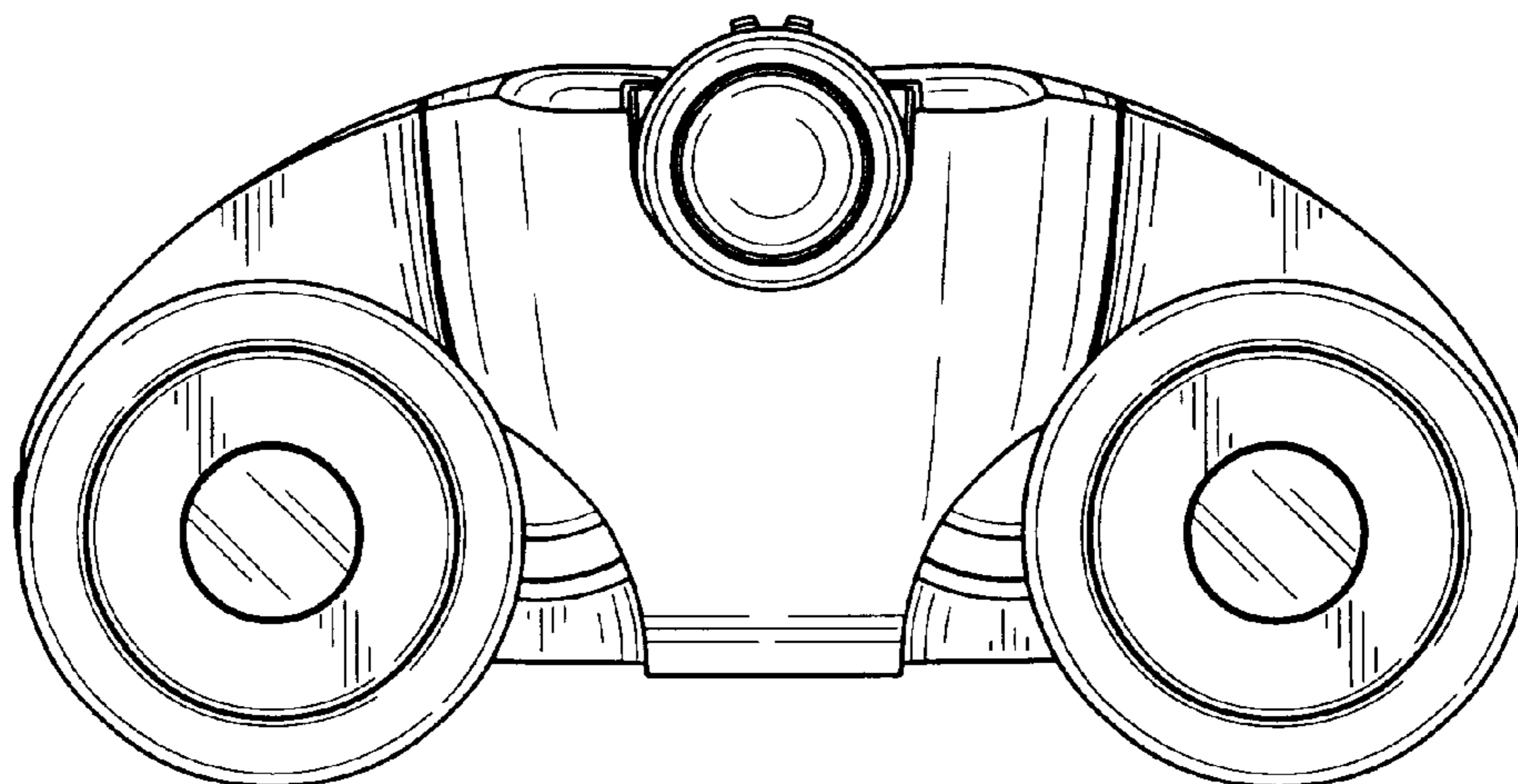


FIG. 4

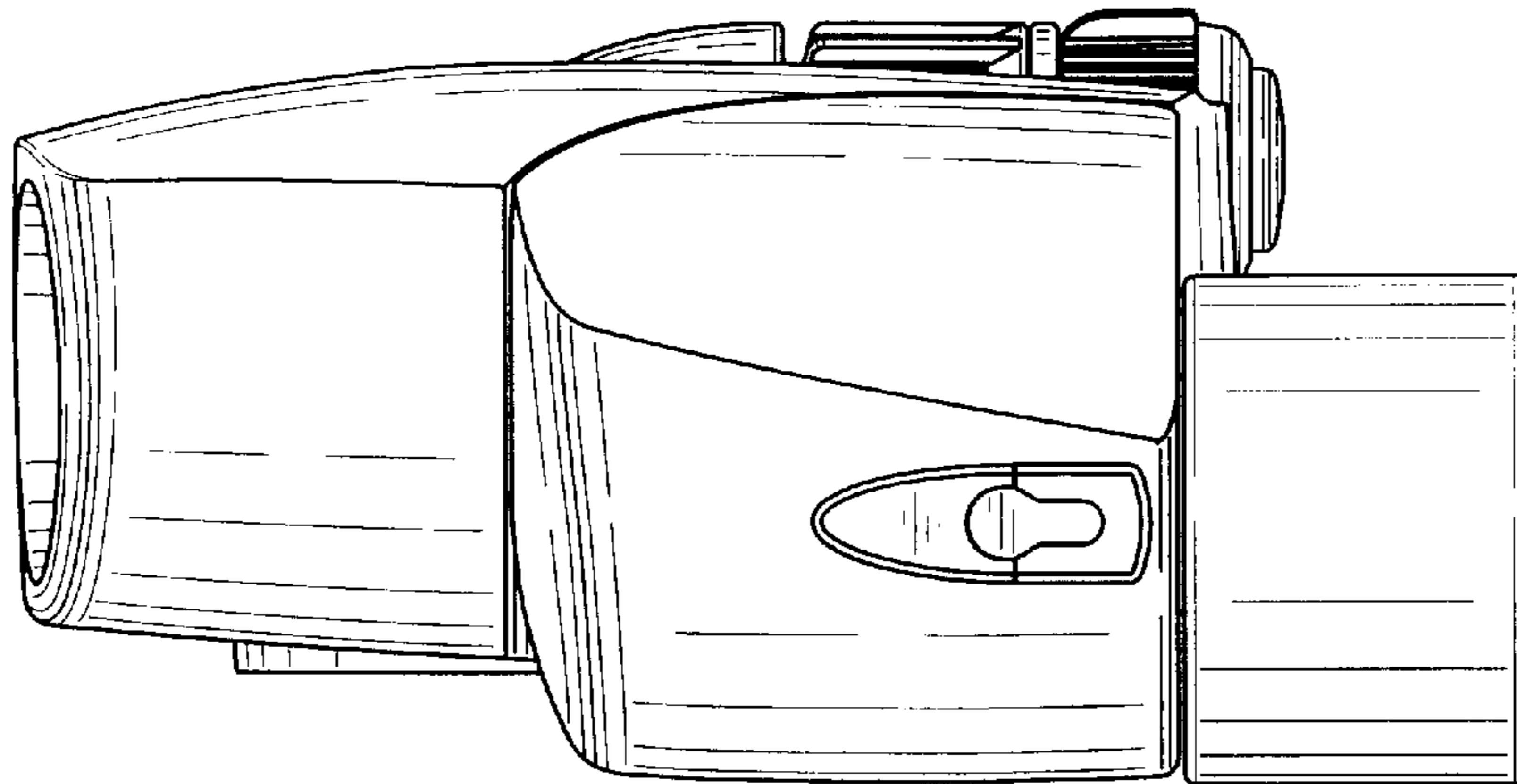


FIG. 5

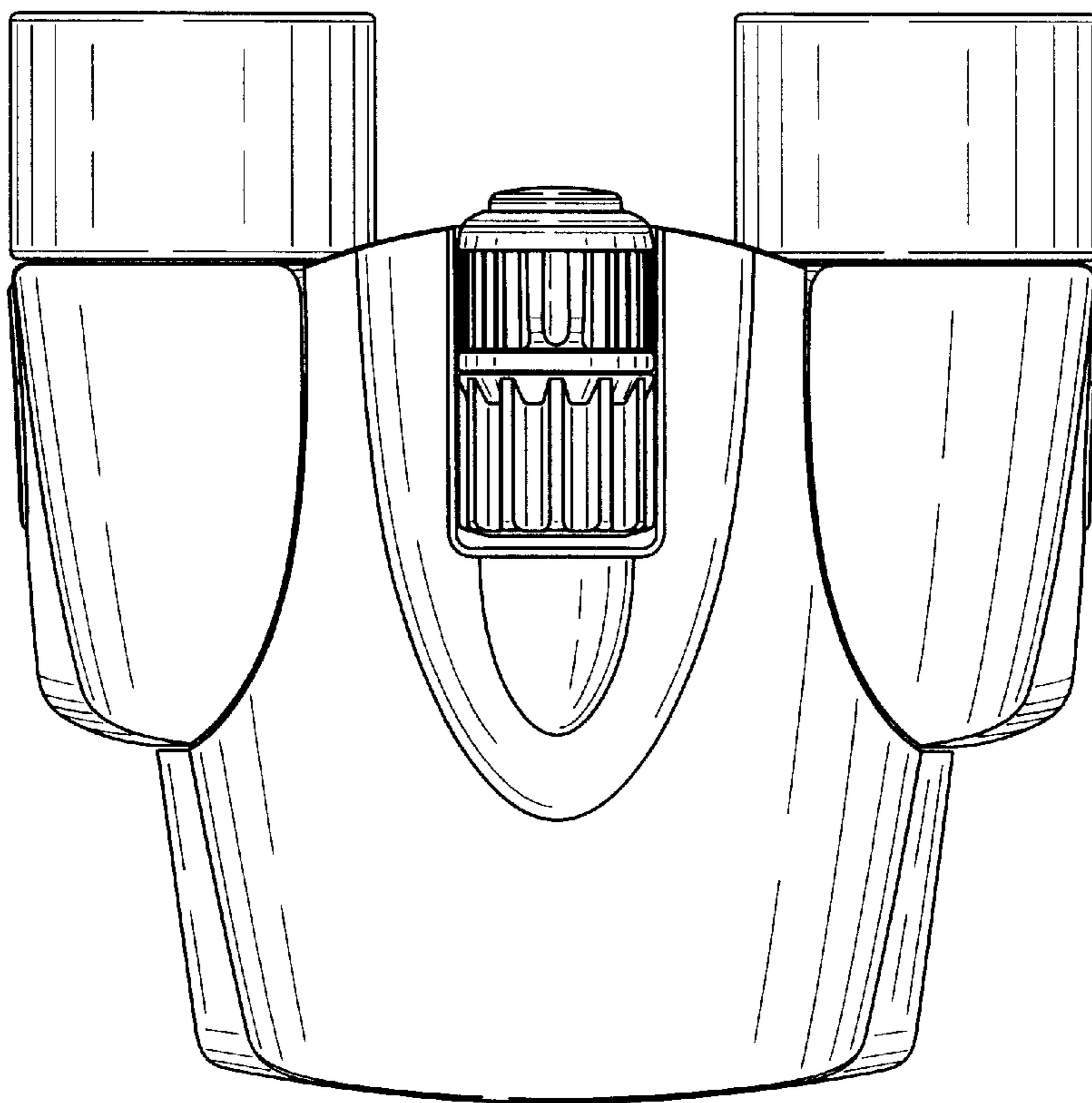


FIG. 6

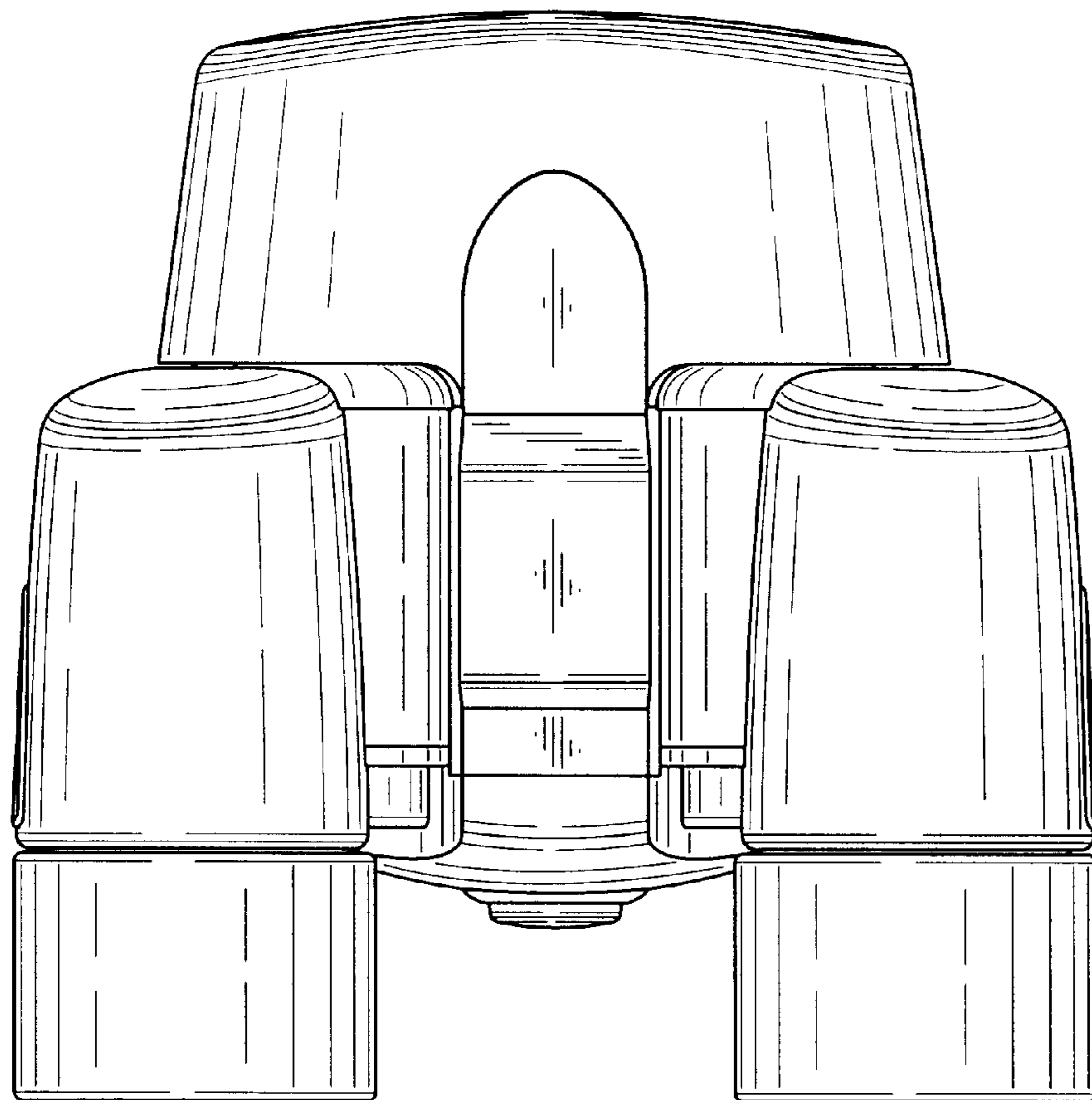


FIG. 7