



US00D522031S

(12) **United States Design Patent** (10) **Patent No.:** **US D522,031 S**
Siu (45) **Date of Patent:** **** May 30, 2006**

(54) **MONOCULAR**

(75) Inventor: **Cavan Siu**, Bedford, NH (US)
(73) Assignee: **Insight Technology, Inc.**, Londonderry, NH (US)
(**) Term: **14 Years**

(21) Appl. No.: **29/227,315**

(22) Filed: **Apr. 8, 2005**

(51) **LOC (8) Cl.** **16-06**

(52) **U.S. Cl.** **D16/132**

(58) **Field of Classification Search** D16/130-136,
D16/202; 359/409, 411, 631, 809, 815; 250/330,
250/214 VT

See application file for complete search history.

(56) **References Cited**

U.S. PATENT DOCUMENTS

D312,089 S	*	11/1990	Jorlov	D16/132
D351,397 S	*	10/1994	Dor	D16/130
5,396,069 A	*	3/1995	Craig et al.	250/330
D369,613 S	*	5/1996	Palmer	D16/132
5,535,053 A	*	7/1996	Baril et al.	359/409
D380,222 S	*	6/1997	Bryant	D16/132
5,703,354 A	*	12/1997	Wannagot et al.	250/214 VT
D413,130 S	*	8/1999	Bryant et al.	D16/132
5,943,174 A		8/1999	Bryant		
6,081,094 A		6/2000	Crehshaw		
6,219,250 B1		4/2001	Palmer		
6,288,386 B1		9/2001	Bowen		
6,456,497 B1		9/2002	Palmer		
6,462,867 B1		10/2002	Choinere		
6,462,894 B1		10/2002	Moody		
6,469,828 B1		10/2002	Plotsker		
6,493,137 B1		12/2002	Solinsky		
6,560,029 B1		5/2003	Dobbie		
6,662,370 B1		12/2003	Buchanan		
6,687,053 B1		2/2004	Holmes		
6,788,459 B1		9/2004	Holmes		

OTHER PUBLICATIONS

ITT Industries, Binocular Night Vision Goggle, Ground Gen 3, AN/PVS-23 (F5050). 2 Pages. Copyright 2004.
Northrop Grumman, Submersible Binocular Night Vision System (BVNS) AN/PVS-15. 2 Pages.
Northrop Grumman, Submersible Monocular Night Vision System, AN/PVS-18. 2 Pages.
ITT Industries, Monocular Night Vision Device (MNVD) Generation 3, F6015 Series. 2 Pages, Copyright 2003.
Northrop Grumman, Monocular Night Vision Device AN/PVS-14 2 Pages.
Nightvisionweb.com, Compact Night Vision Goggles ANVS-3103 2 Pages. Copyright 2000-2004 Printed Jul. 14, 2005.
Nightvisionweb.com, PRO Series Night Vision Goggles ANVS-3105 2 Pages. Copyright 2000-2004 Printed Jul. 14, 2005.

(Continued)

Primary Examiner—Paula A. Greene

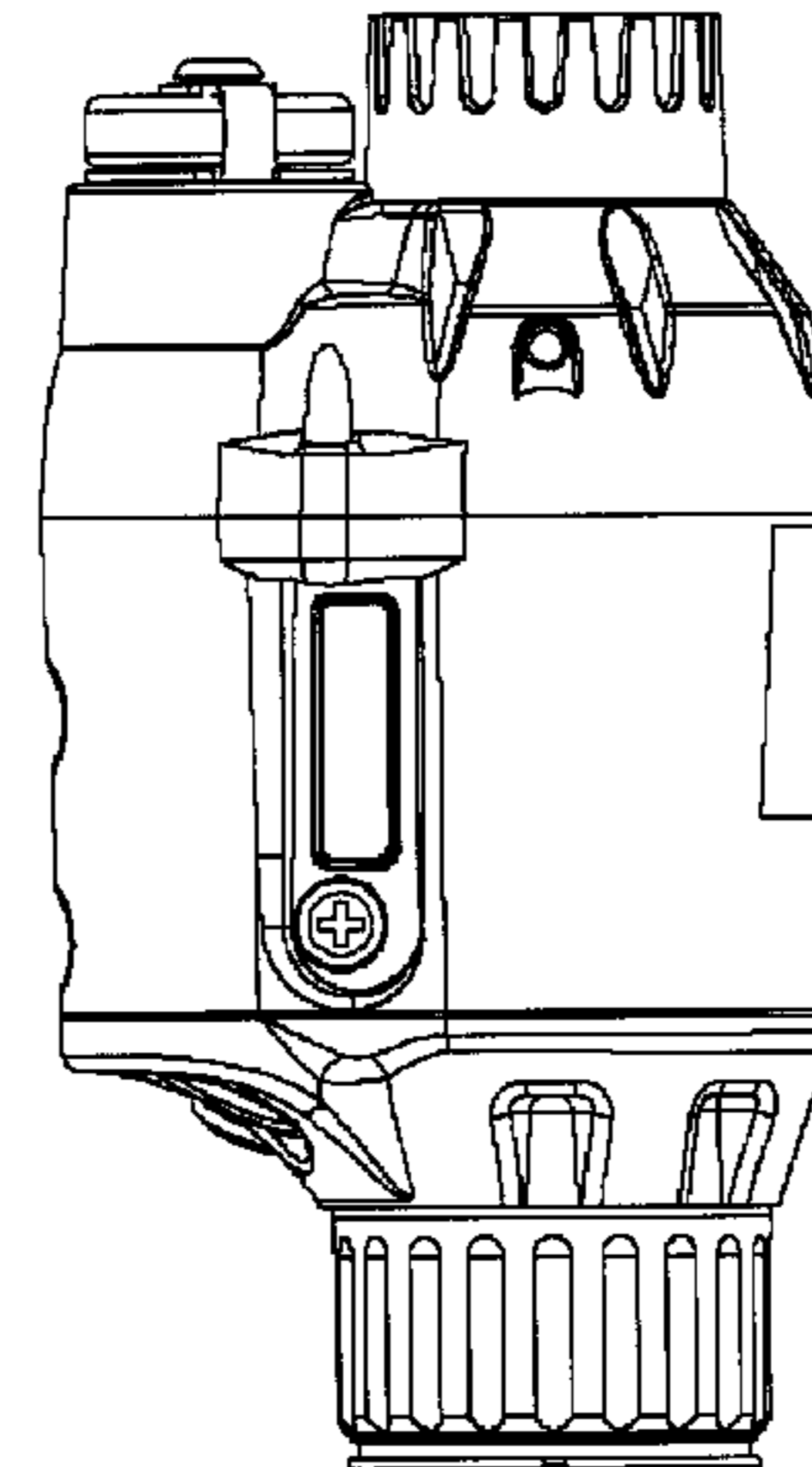
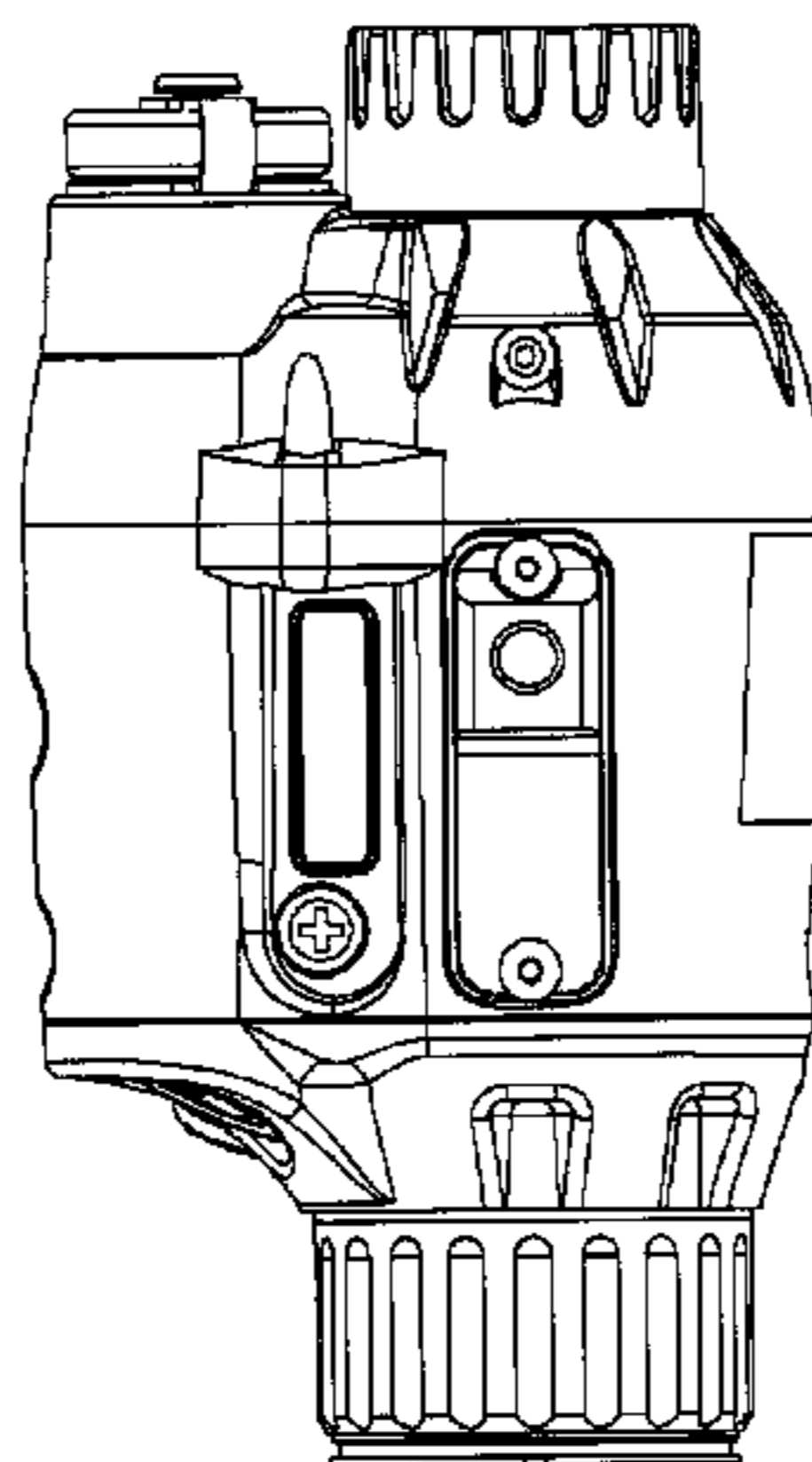
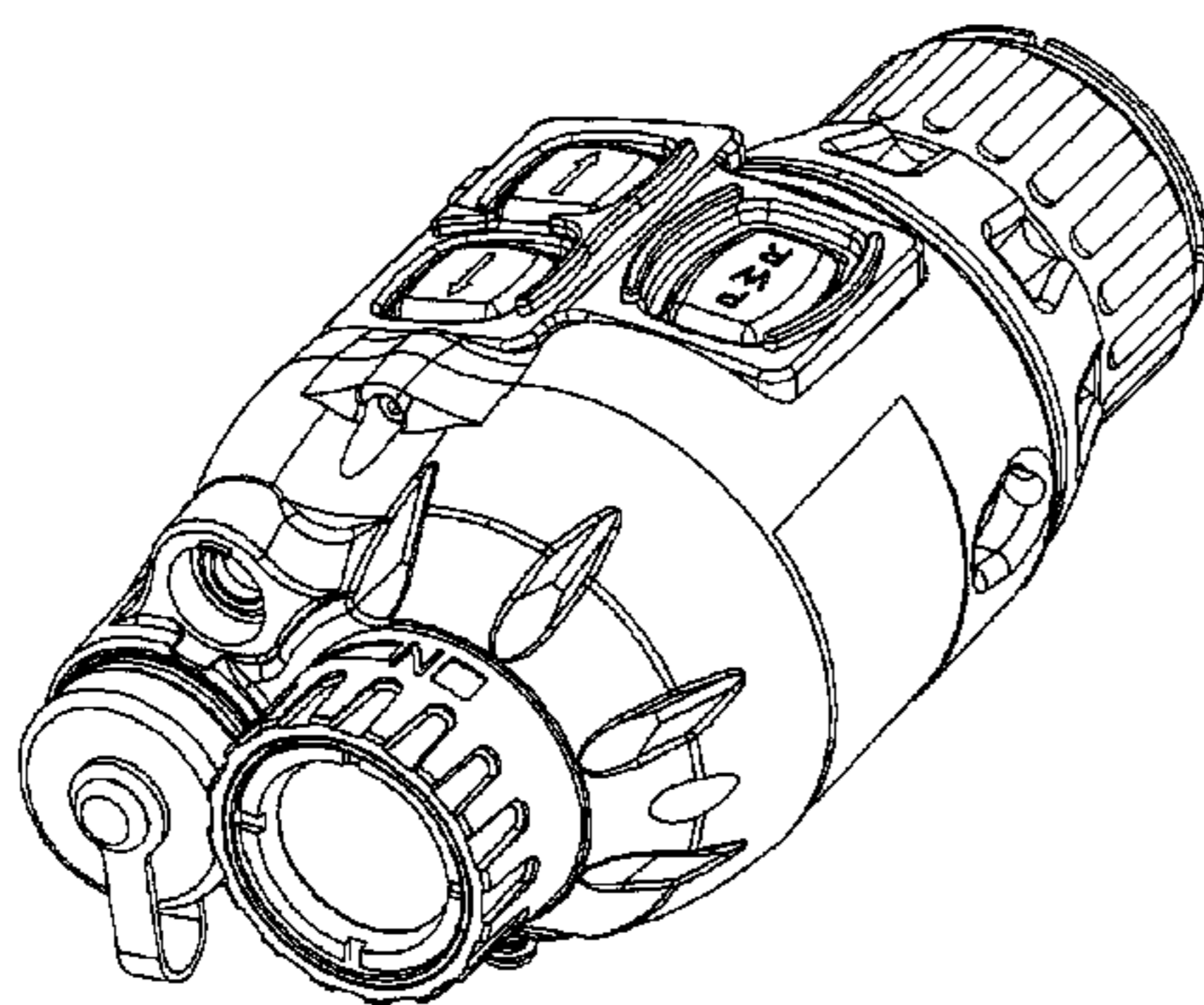
(57) **CLAIM**

The original design for a monocular, as shown and described.

DESCRIPTION

FIG. 1 is a perspective view of a first monocular of the present invention;
FIG. 2 is a front view of the monocular of FIG. 1;
FIG. 3 is a rear view of the monocular of FIG. 1;
FIG. 4 is a right side view of the monocular of FIG. 1;
FIG. 5 is a left side view of the monocular of FIG. 1;
FIG. 6 is a top view of the monocular of FIG. 1;
FIG. 7 is a bottom view of the monocular of FIG. 1;
FIG. 8 is a perspective view of a second monocular of the present invention;
FIG. 9 is a front view of the monocular of FIG. 8;
FIG. 10 is a rear view of the monocular of FIG. 8;
FIG. 11 is a right side view of the monocular of FIG. 8;
FIG. 12 is a left side view of the monocular of FIG. 8;
FIG. 13 is a top view of the monocular of FIG. 8; and,
FIG. 14 is a bottom view of the monocular of FIG. 8.

1 Claim, 8 Drawing Sheets



OTHER PUBLICATIONS

- Nightvisionweb.com, Deluxe Night Vision Goggles ANVS-3107 2 Pages. Copyright 2000-2004 Printed Jul. 14, 2005.
- Nightvisionweb.com, Night Vision Goggles Night Cougar 1 Page. Copyright 2000-2005 Printed Jul. 14, 2005.
- Nightvisionweb.com, Night Vision Goggles Viper 2 Pages. Copyright 2000-2005 Printed Jul. 14, 2005.
- Nightvisionweb.com, Night Vision Goggles Argus w/IR Illuminator 2 Pages. Copyright 2000-2004 Printed Jul. 14, 2005.
- Nightvisionweb.com, Night Vision Mono Goggles Argus-M w/IR Illuminator, 2 Pages. Copyright 2000-2005 Printed Jul. 14, 2005.
- Nightvisionweb.com, PVS-7 Night Vision Goggles 2 Pages. Copyright 2000-2005 Printed Jul. 14, 2005.
- Nightvisionweb.com, Night Quest 5001 2 Pages. Copyright 2000-2005 Printed Jul. 14, 2005.
- Nightvisionweb.com, NVG7-2/3 Night Vision Goggle 2 Pages. Copyright 2000-2005 Printed Jul. 14, 2005.
- Nightvisionweb.com, Gen 2+ /3 Night Vision Goggles D-221G/321G 2 Pages. Copyright 2000-2005 Printed Jul. 14, 2005.
- Nightvisionweb.com, NVG7-2/3 Night Vision Goggle 2 Pages. Copyright 2000-2005 Printed Jul. 14, 2005.
- Nightvisionweb.com, Aurora, high grade compact Night Vision Scope w/IR. 1 Page. Copyright 2000-2005 Printed Jul. 14, 2005.
- Nightvisionweb.com, Budget Night Vision Scope NZT-1 1 Page. Copyright 2000-2005 Printed Jul. 14, 2005.
- Nightvisionweb.com, Helios 101, high grade Night Vision Scope w/IR 1 Page. Copyright 2000-2005 Printed Jul. 14, 2005.
- Nightvisionweb.com, Multitask Night Vision Scope, Model NVMT 2x24. 2 Pages. Copyright 2000-2005 Printed Jul. 14, 2005.
- Nightvisionweb.com, PRO Night Vision monocular Dipol-111 w/IR Illuminator 2 Pages. Copyright 2000-2005 Printed Jul. 14, 2005.
- Nightvisionweb.com, Multitask Night Vision Scope, Model NVMT 3x42. 2 Pages. Copyright 2000-2005 Printed Jul. 14, 2005.
- Nightvisionweb.com, Helios 112, waterproof Night Vision Scope w/IR 1 Page. Copyright 2000-2005 Printed Jul. 14, 2005.
- Nightvisionweb.com, Long Range Night Vision monocular Argus-M4 w/IR Illum. 2 Pages. Copyright 2000-2005 Printed Jul. 14, 2005.
- Nightvisionweb.com, Night Storm, Waterproof Night Vision Scope 2 Pages. Copyright 2000-2005 Printed Jul. 14, 2005.
- Nightvisionweb.com, High Grade Night Vision Scope MO2-1 2 Pages. Copyright 2000-2005 Printed Jul. 14, 2005.
- Nightvisionweb.com, Multitask Gen 2+ Night Vision Scope Model NVMT 2x24 G2 2 Pages. Copyright 2000-2005 Printed Jul. 14, 2005.
- Nightvisionweb.com, Night Vision Monocular PS-14 2 Pages. Copyright 2000-2005 Printed Jul. 14, 2005.
- Nightvisionweb.com, Night Quest 6010, Night Quest 6015, Night Quest PVS-14 2 Pages. Copyright 2000-2005 Printed Jul. 14, 2005.
- Nightvisionweb.com, Tactical Night Vision Scope ANVS-1344/Mini Monocular 2 Pages. Copyright 2000-2005 Printed Jul. 14, 2005.
- Nightvisionweb.com, Night Storm, Waterproof Night Vision Scope 2 Pages. Copyright 2000-2005 Printed Jul. 14, 2005.
- Nightvisionweb.com, MO-4X series Night Vision Scopes 2 Pages. Copyright 2000-2005 Printed Jul. 14, 2005.
- Nightvisionweb.com, Night Vision Monocular ANVS-1330 2 Pages. Copyright 2000-2005 Printed Jul. 14, 2005.
- Insight Technology, Inc. U.S. Military AN/PVS-7D Night Vision Goggles. Copyright 2002.
- Insight Technology, Inc. U.S. Military TS-4348/UV, Night Vision Device Test Set. Copyright 1998.
- Insight Technology, Inc. Multi-use Mini-Monocular. Copyright 2002.
- Insight Technology, Inc. Thermal Goggle System TGS-1000. Copyright 1998.
- Insight Technology, Inc. Close-Quarter Battle Sight Short Range CQB-001C. Copyright 2004.
- Photograph of Insight Technology, Inc. product CNVD.
- Photograph of Insight Technology, Inc. product OFG.
- Photograph of Insight Technology, Inc. product PNVG.
- Website www.atncorp.com/ProfessionalMilitaryNightVision printed May 16, 2005.
- Insight Technology, Inc. Laser Aiming Module (LAM) AN/PEQ-6. Copyright 1997.
- Insight Technology, Inc. M3X Tactical Illuminator Copyright 2003.
- Insight Technology, Inc. U.S. Military M30 Boresighting Equipment NSN:4933-01-394-7781. Copyright 1998.
- Photograph of Insight Technology, Inc. product ENVG, Phase 2.
- Insight Technology, Inc. AN/TVS-5 Advanced Crew-served Weapon Sight (ACSWS). Copyright 2000.
- Insight Technology, Inc. AN/PSQ-18A M203 Day Night Sight NSN 1010-01-516-0953. Copyright 2003.
- Insight Technology, Inc. Medium Powered Laser Illuminator (MPLI) High Powered laser Illuminator (HPLI) AN/PEQ-4. Copyright 1998.
- Insight Technology, Inc. U.S. Military AN/PEQ-5 Carbine Visible Laser (CVL). Copyright 1997.
- Insight Technology, Inc. U.S. Military AN/PEM-1 Laser Borelight System. Copyright 1999.
- Insight Technology, Inc. U.S. Military AN/PEQ-2 & 2A Infrared Target Pointer/Illuminator/Aiming Laser. NSN: 5855-01-422-5253 & NSN: 5855-01-447-8992. Copyright 1998.
- Photograph of Insight Technology, Inc. product ENVG, Phase 1.

* cited by examiner

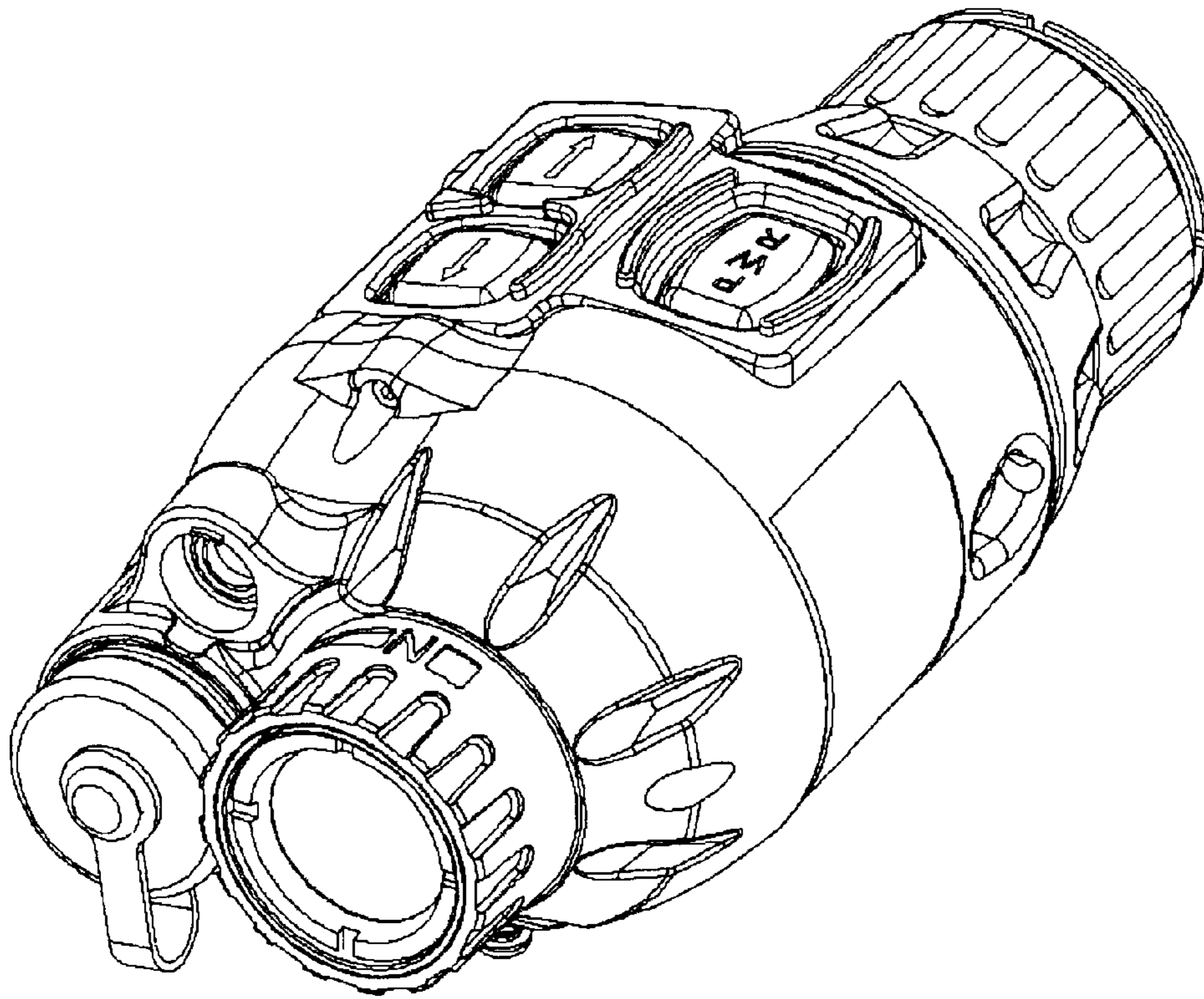


FIGURE 1

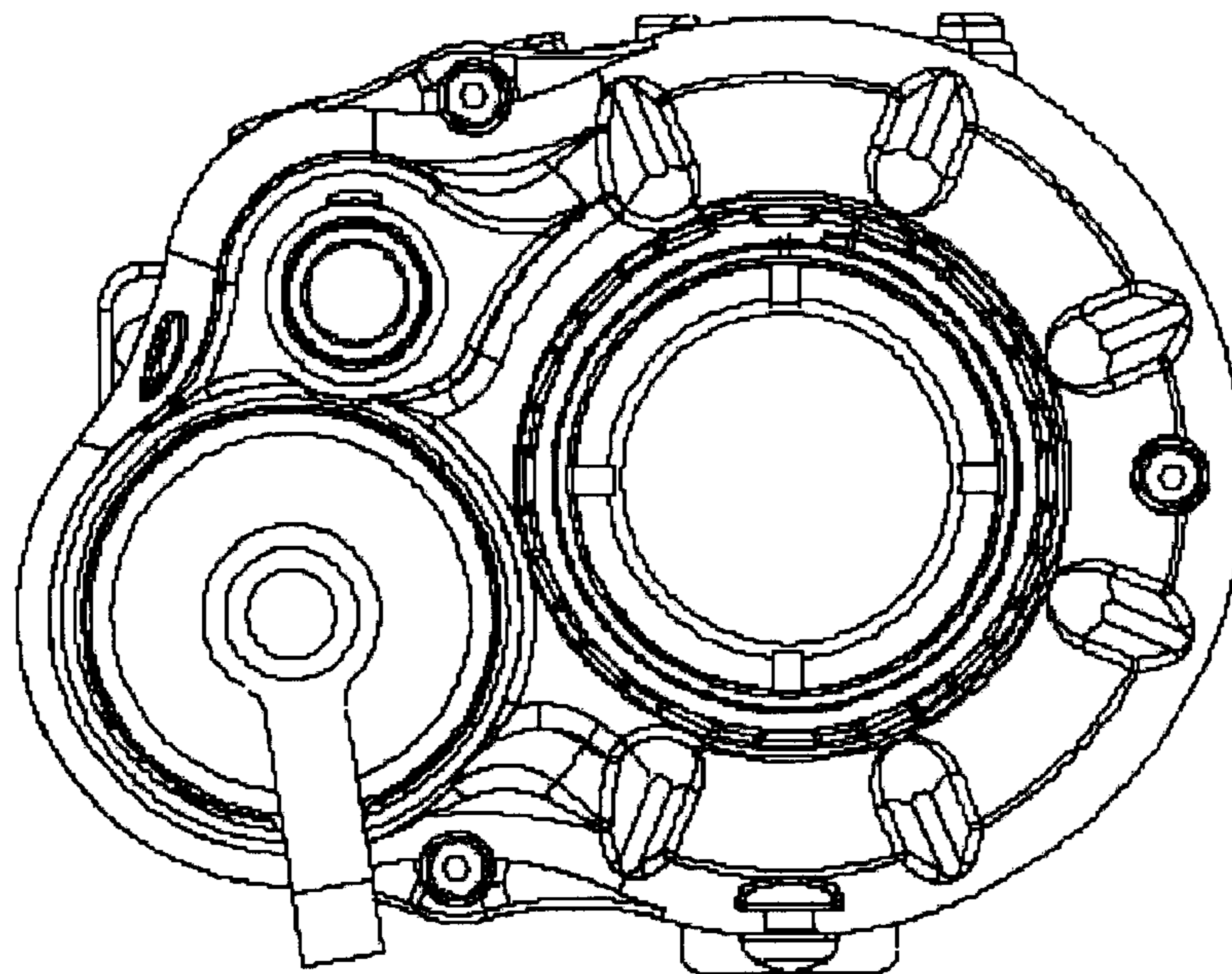


FIGURE 2

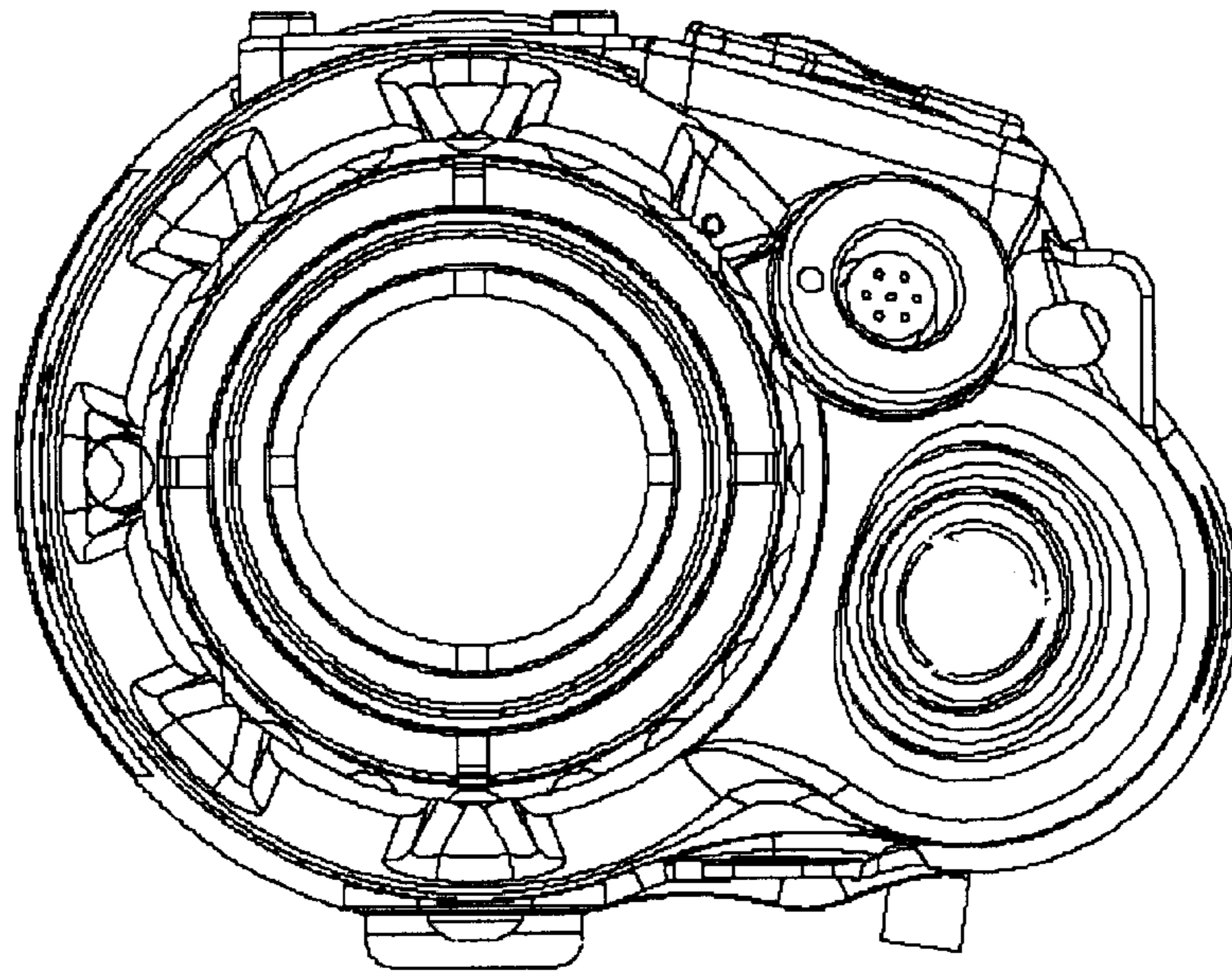


FIGURE 3

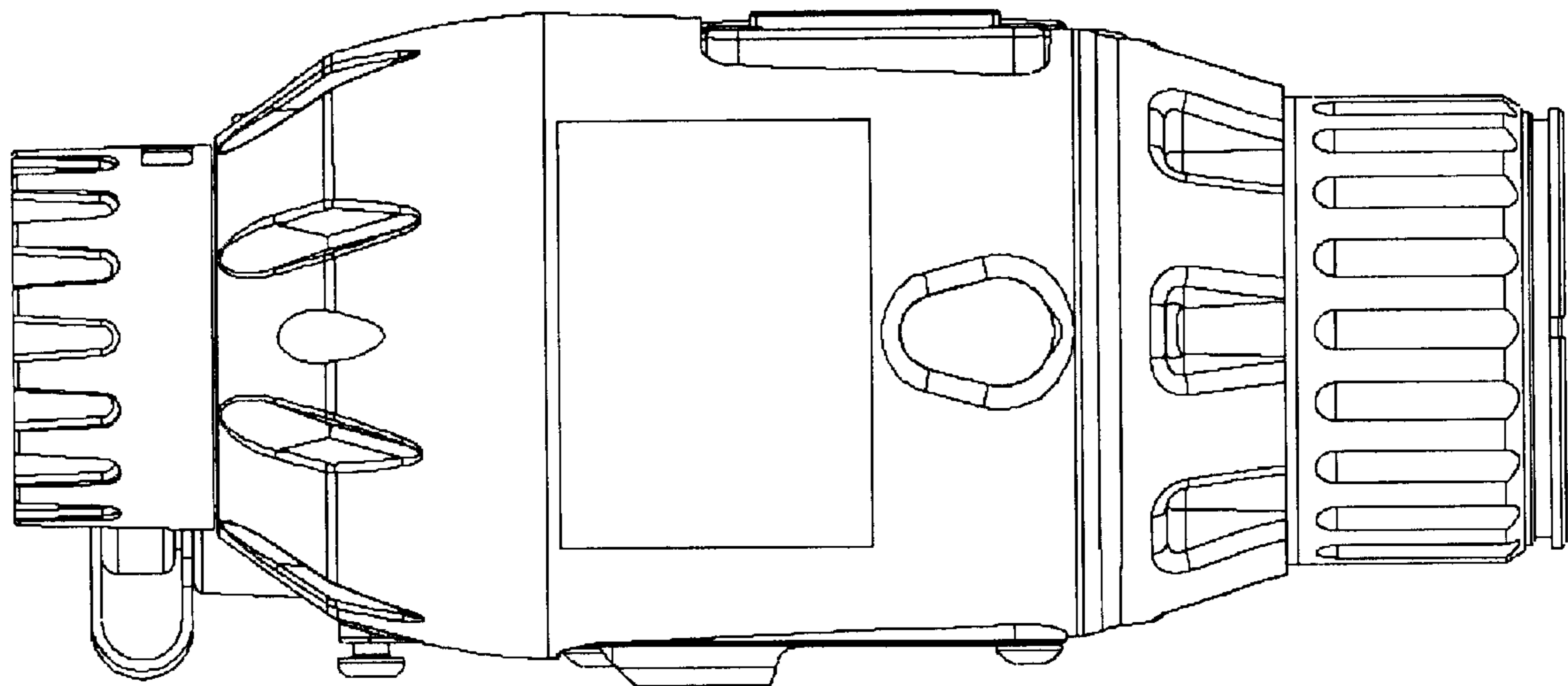


FIGURE 4

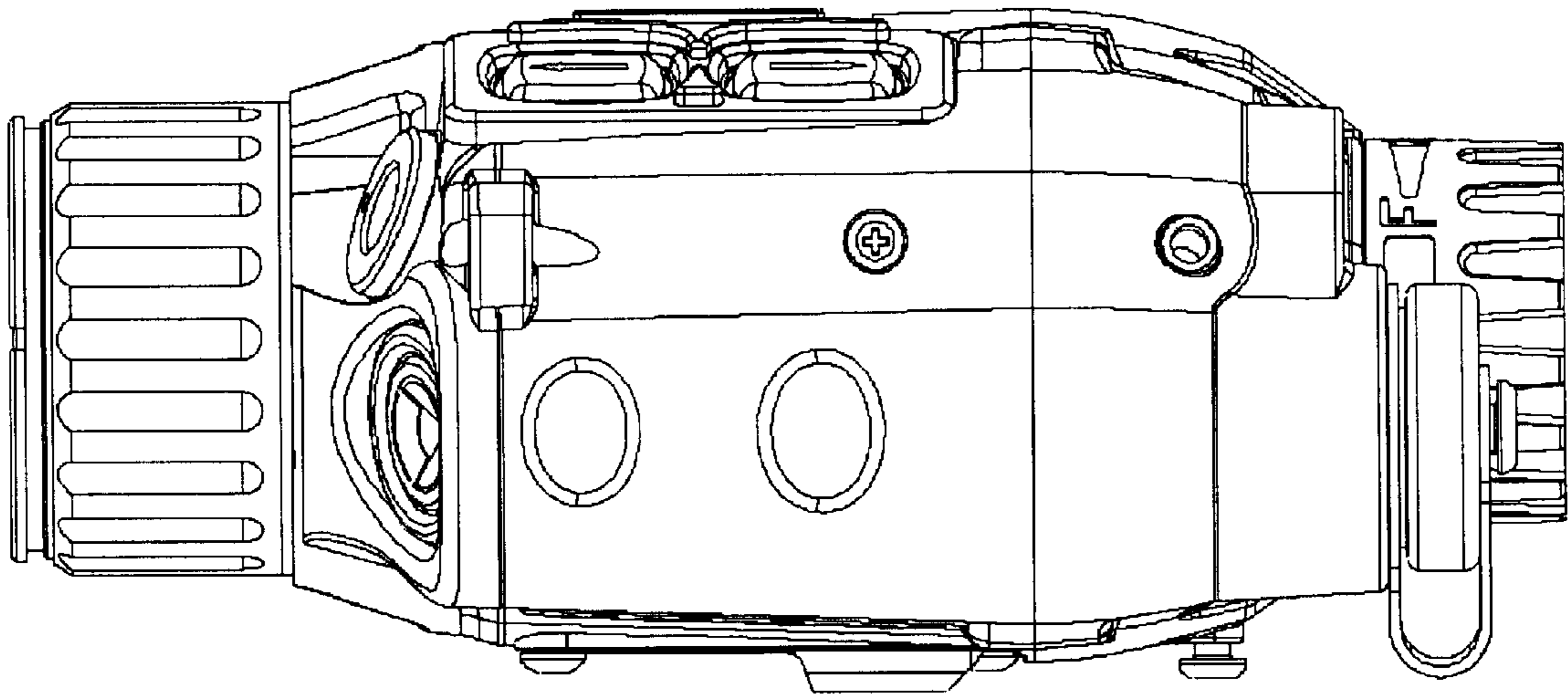


FIGURE 5

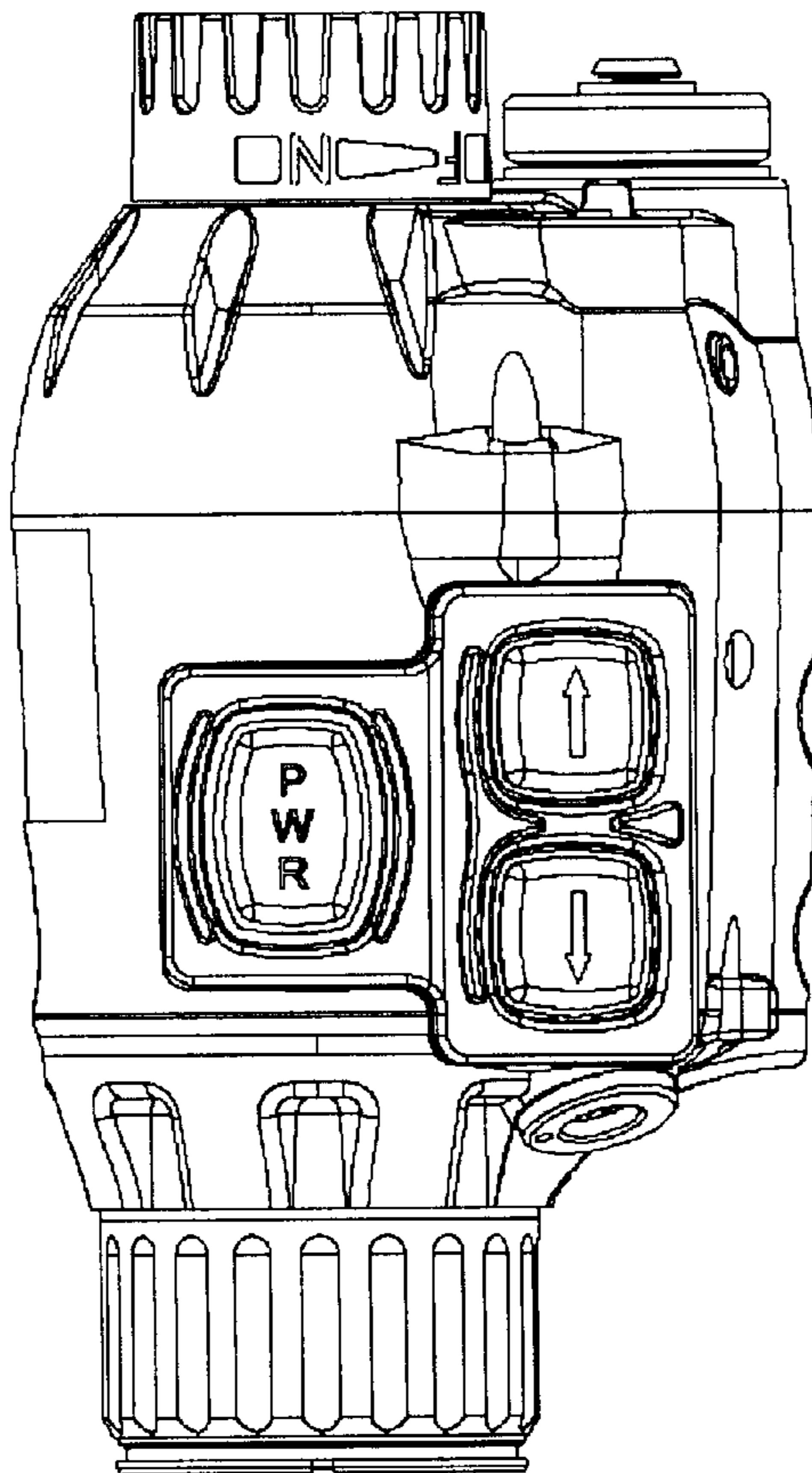


FIGURE 6

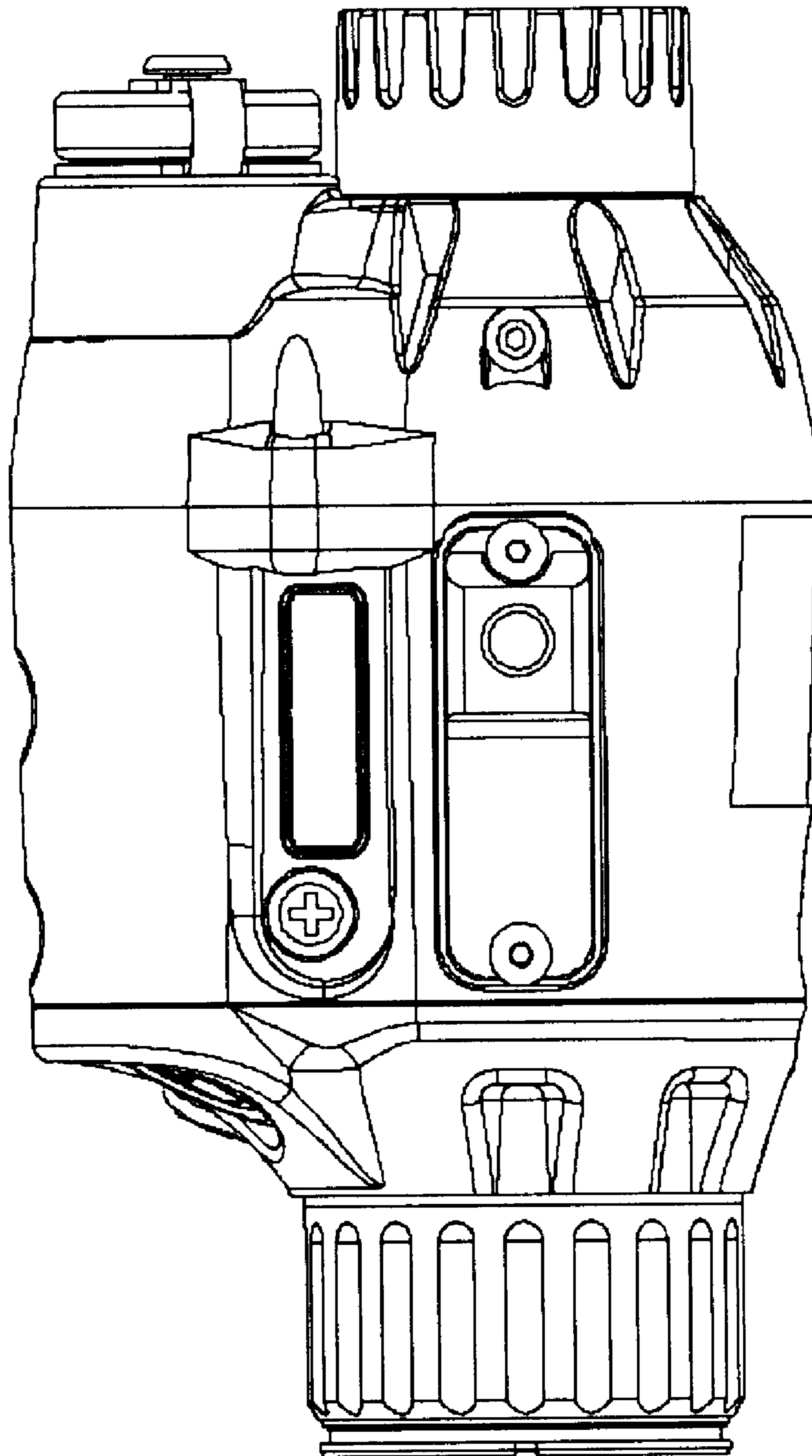


FIGURE 7

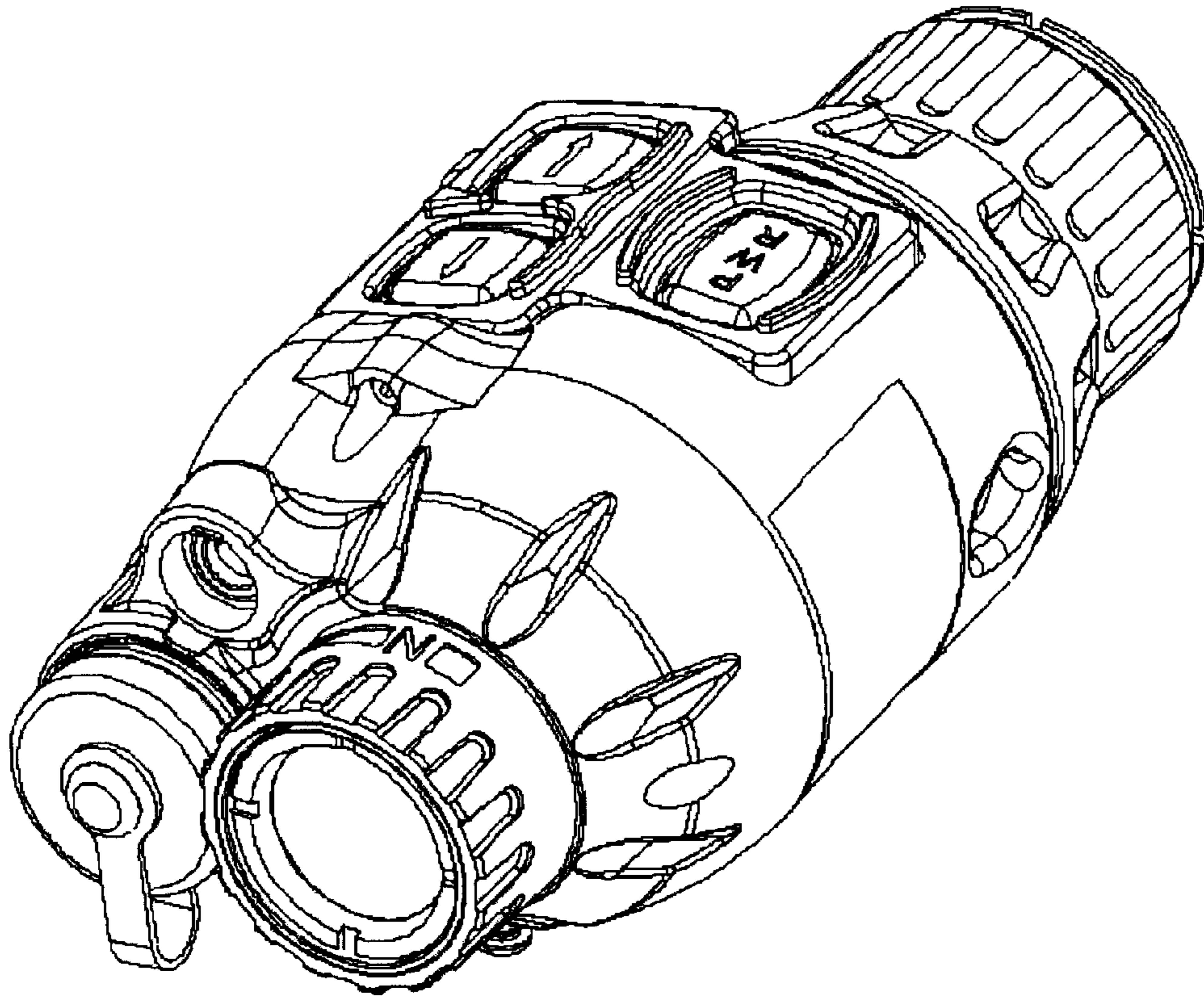


FIGURE 8

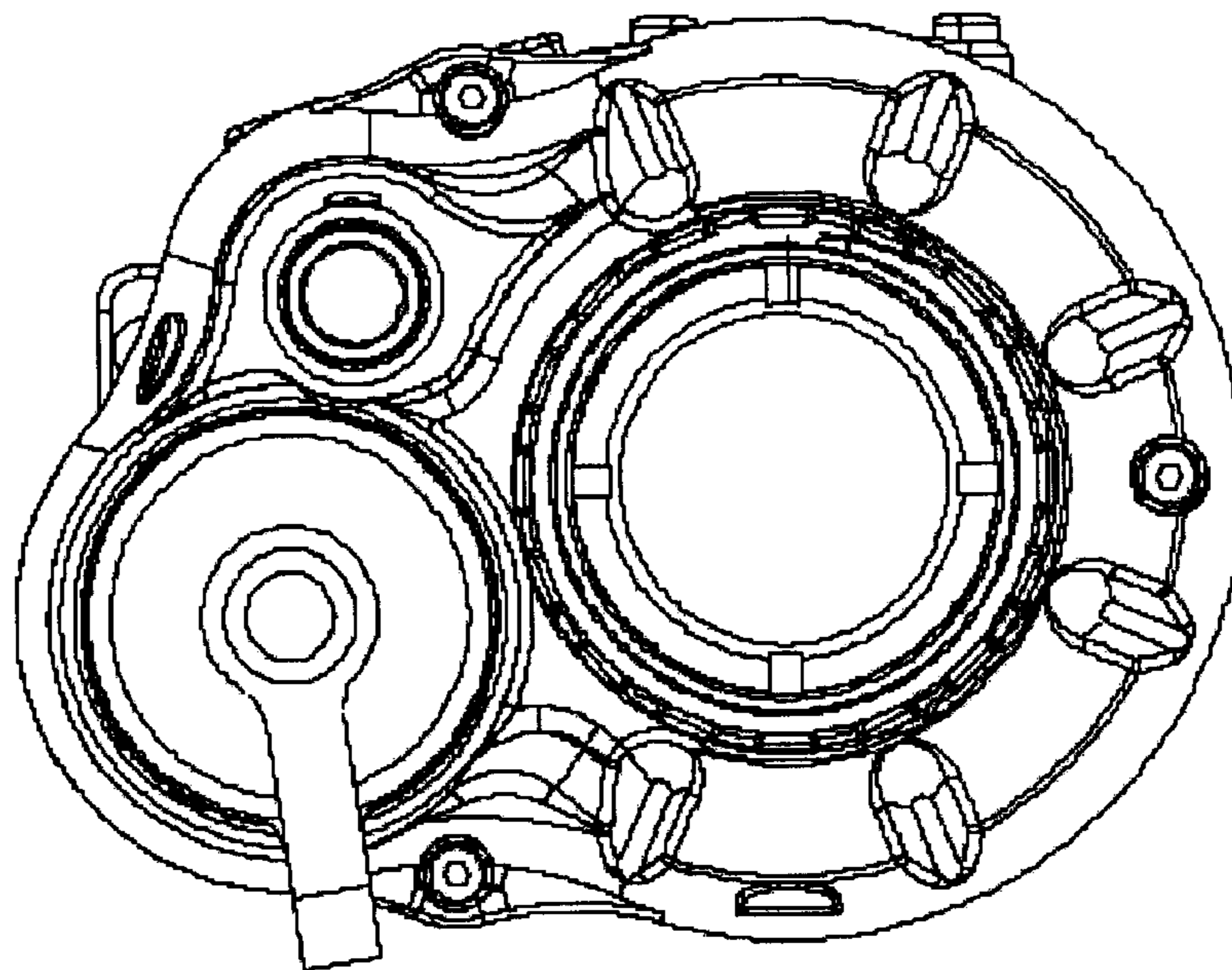


FIGURE 9

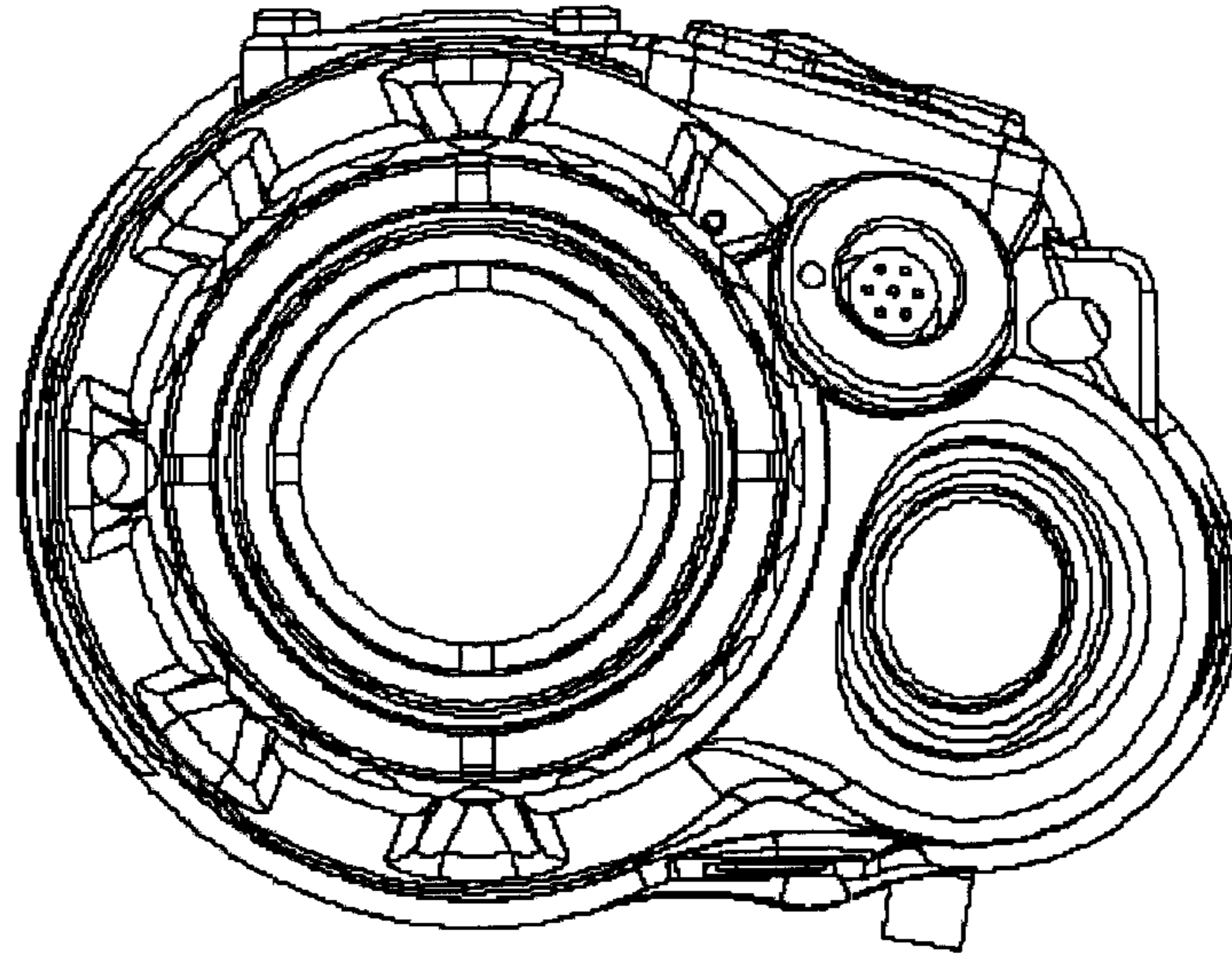
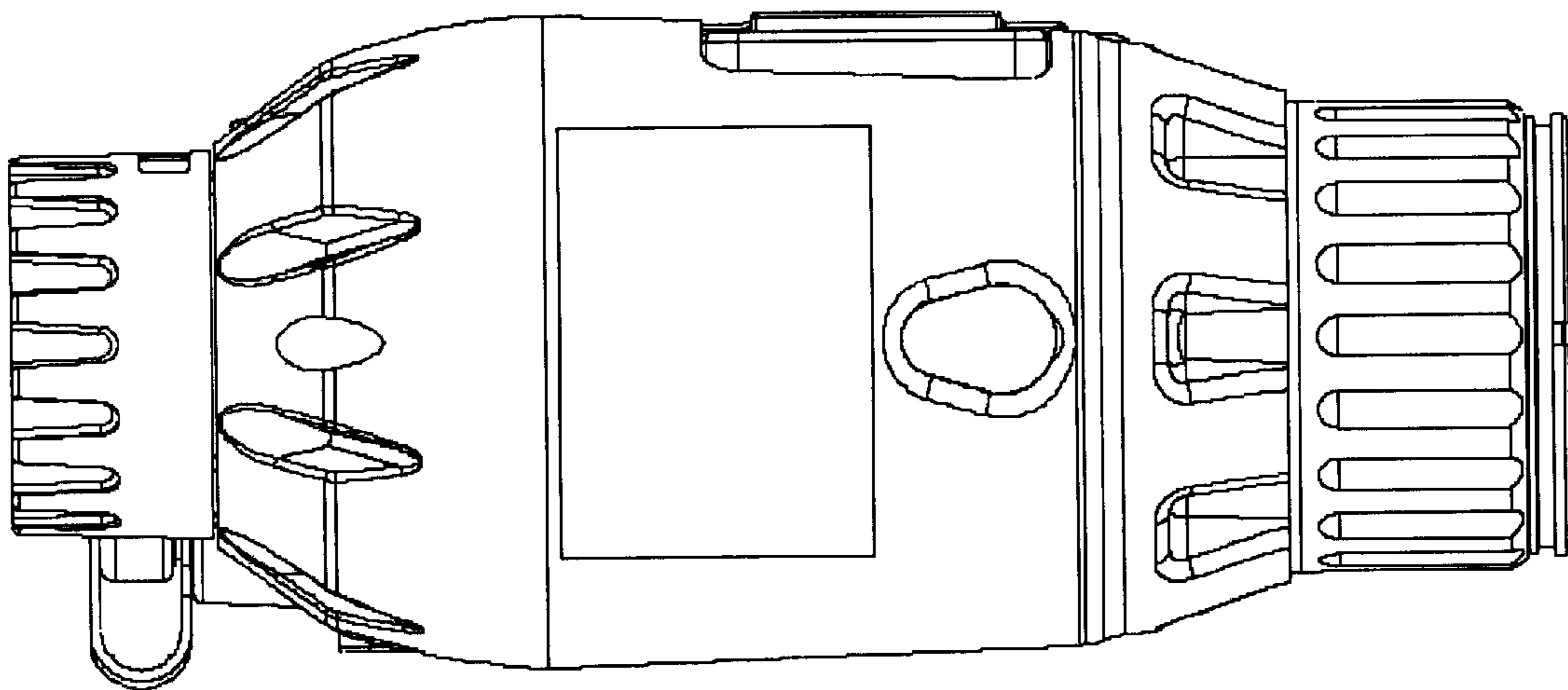


FIGURE 10

FIGURE 11



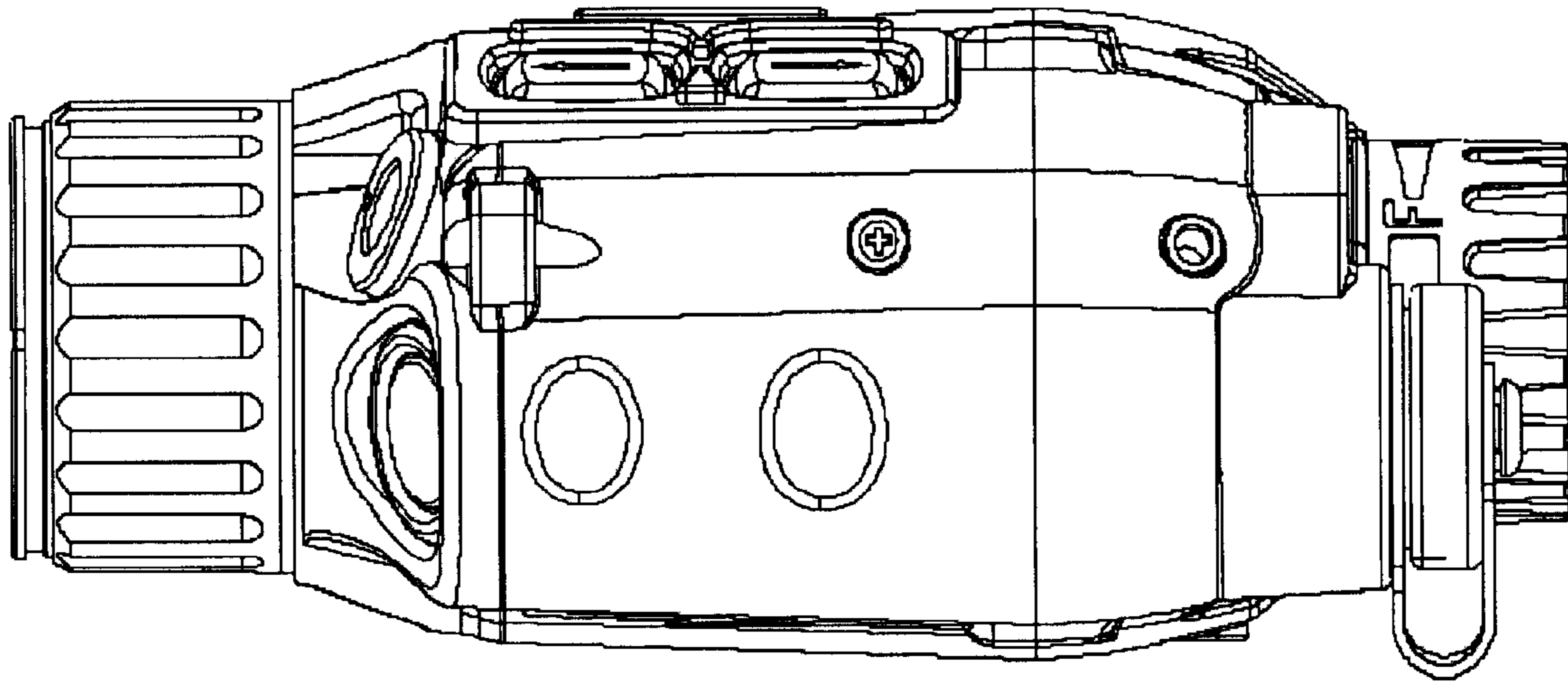


FIGURE 12

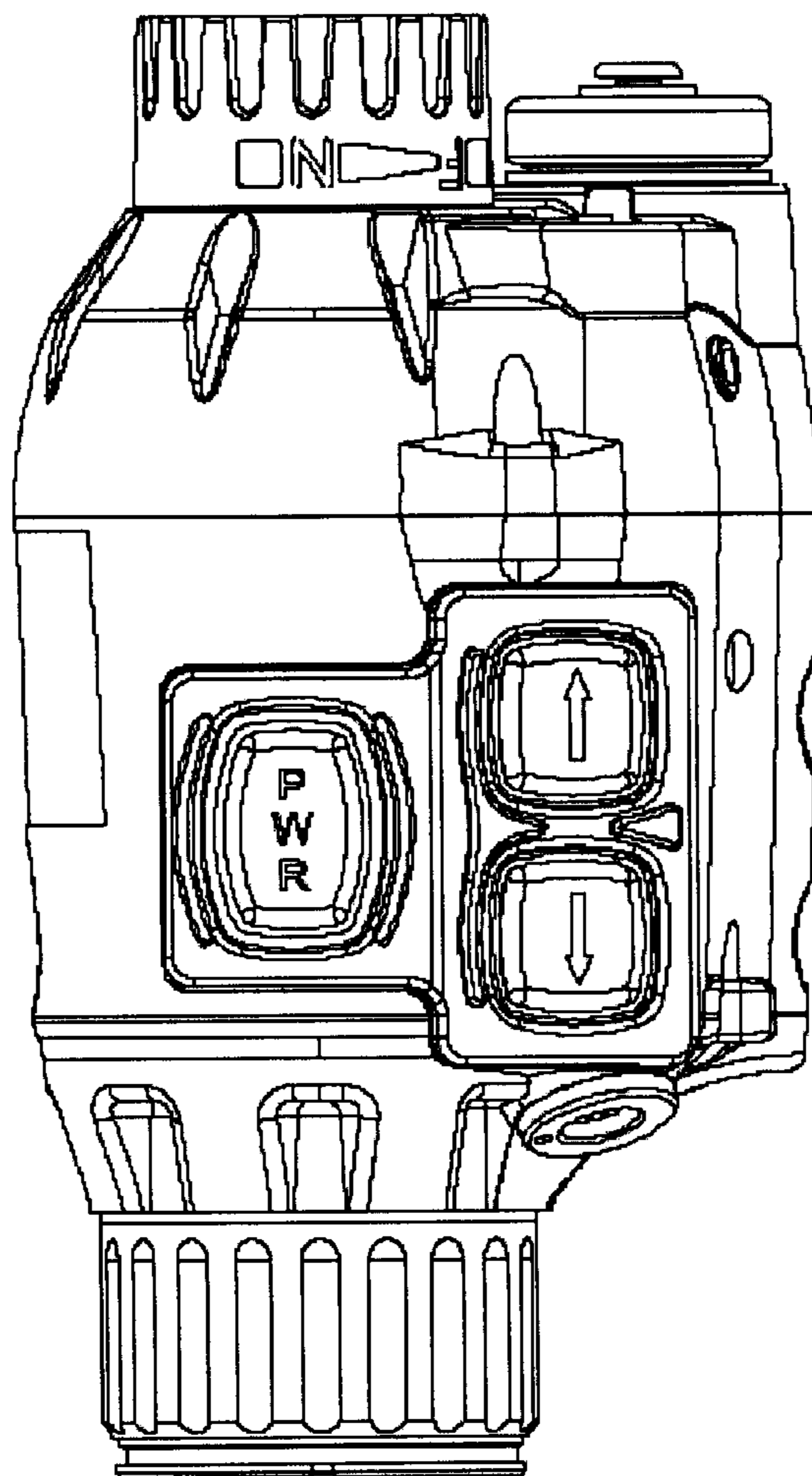


FIGURE 13

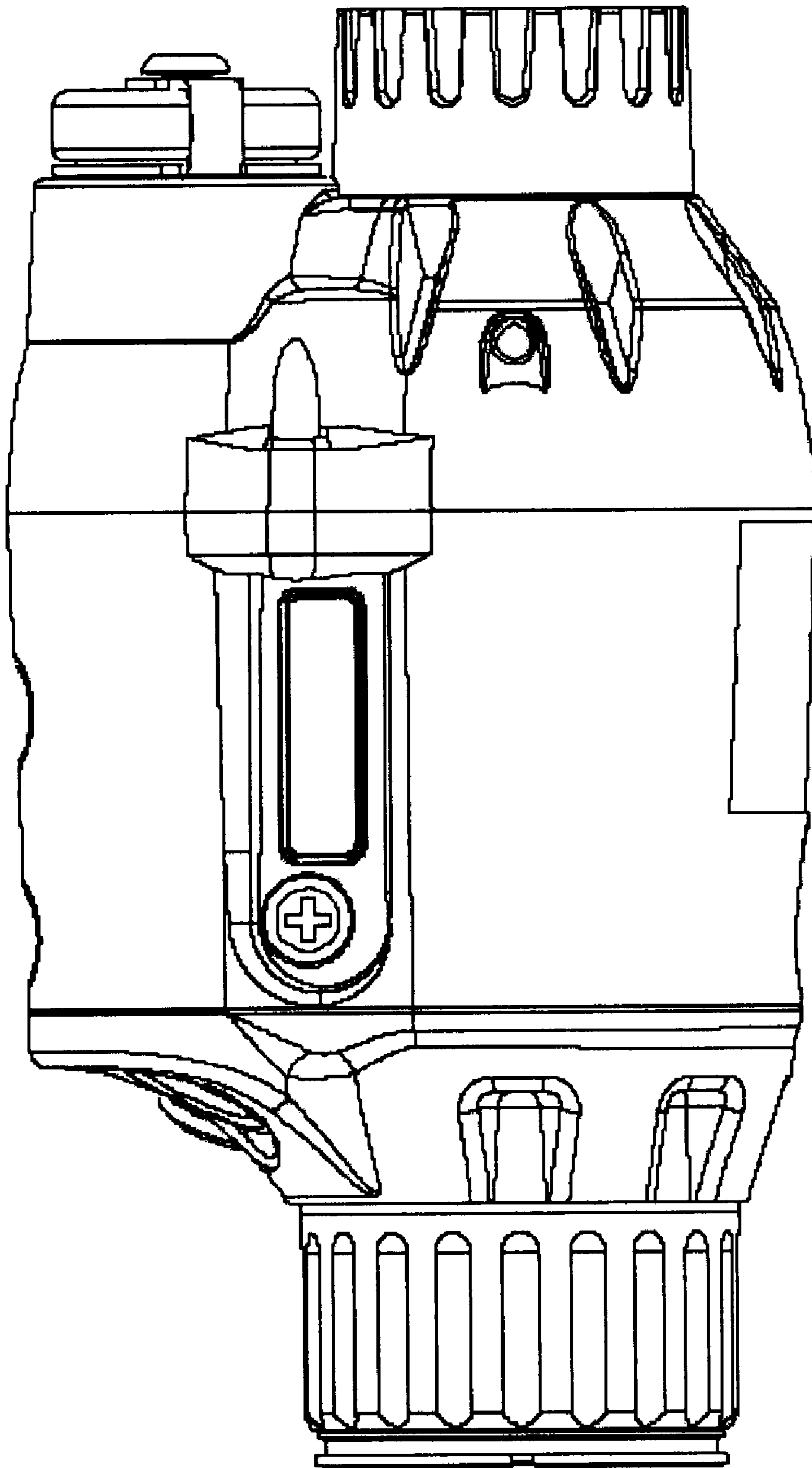


FIGURE 14