

US00D522030S

(12) **United States Design Patent**
Jenkinson

(10) **Patent No.:** **US D522,030 S**

(45) **Date of Patent:** **** May 30, 2006**

(54) **RETICLE AND GRATICULE**

(75) **Inventor:** **Nick George Jenkinson, Paignton (GB)**

(73) **Assignee:** **Deben Group Industries Limited, Suffolk (GB)**

(**) **Term:** **14 Years**

(21) **Appl. No.:** **29/230,616**

(22) **Filed:** **May 24, 2005**

(30) **Foreign Application Priority Data**

Dec. 3, 2004 (EM) 000262795

(51) **LOC (8) Cl.** **16-06**

(52) **U.S. Cl.** **D16/130; D16/136**

(58) **Field of Classification Search** D16/130,
D16/136; 33/245, 246, 247, 250, 277, 297,
33/507, 228; 451/460; 356/159; 359/422,
359/424, 428, 813; 42/101, 120, 122, 130;
8/471, 506; 351/159

See application file for complete search history.

(56) **References Cited**

U.S. PATENT DOCUMENTS

- 1,127,230 A * 2/1915 Grauheding 42/122
- 1,520,445 A * 12/1924 Rushmer 351/159
- 3,492,733 A * 2/1970 Leatherwood 42/122
- 4,257,692 A * 3/1981 Le Naour-Sene 351/159
- 4,263,719 A * 4/1981 Murdoch 33/297
- D306,173 S * 2/1990 Reese D16/130
- 4,912,853 A * 4/1990 McDonnell et al. 33/228
- D397,704 S * 9/1998 Reese D16/130
- D403,686 S * 1/1999 Reese D16/130

- 5,920,995 A * 7/1999 Sammut 42/122
- 6,032,374 A * 3/2000 Sammut 42/122
- 6,681,512 B1 * 1/2004 Sammut 42/122

* cited by examiner

Primary Examiner—Paula A. Greene

(74) *Attorney, Agent, or Firm*—McGarry Bair PC

(57) **CLAIM**

I claim the ornamental design and shape for a reticle and graticule, as shown and described.

DESCRIPTION

FIG. 1 is a front view, the rear view corresponding to FIG. 1;

FIG. 2 is a side view, the views from the other side, top and bottom all corresponding to FIG. 2 as the reticle and graticule is of circular shape;

FIG. 3 is a front view, the rear view corresponding to FIG. 3;

FIG. 4 is a side view, the views from the other side, top and bottom all corresponding to FIG. 4 as the reticle and graticule is of circular shape;

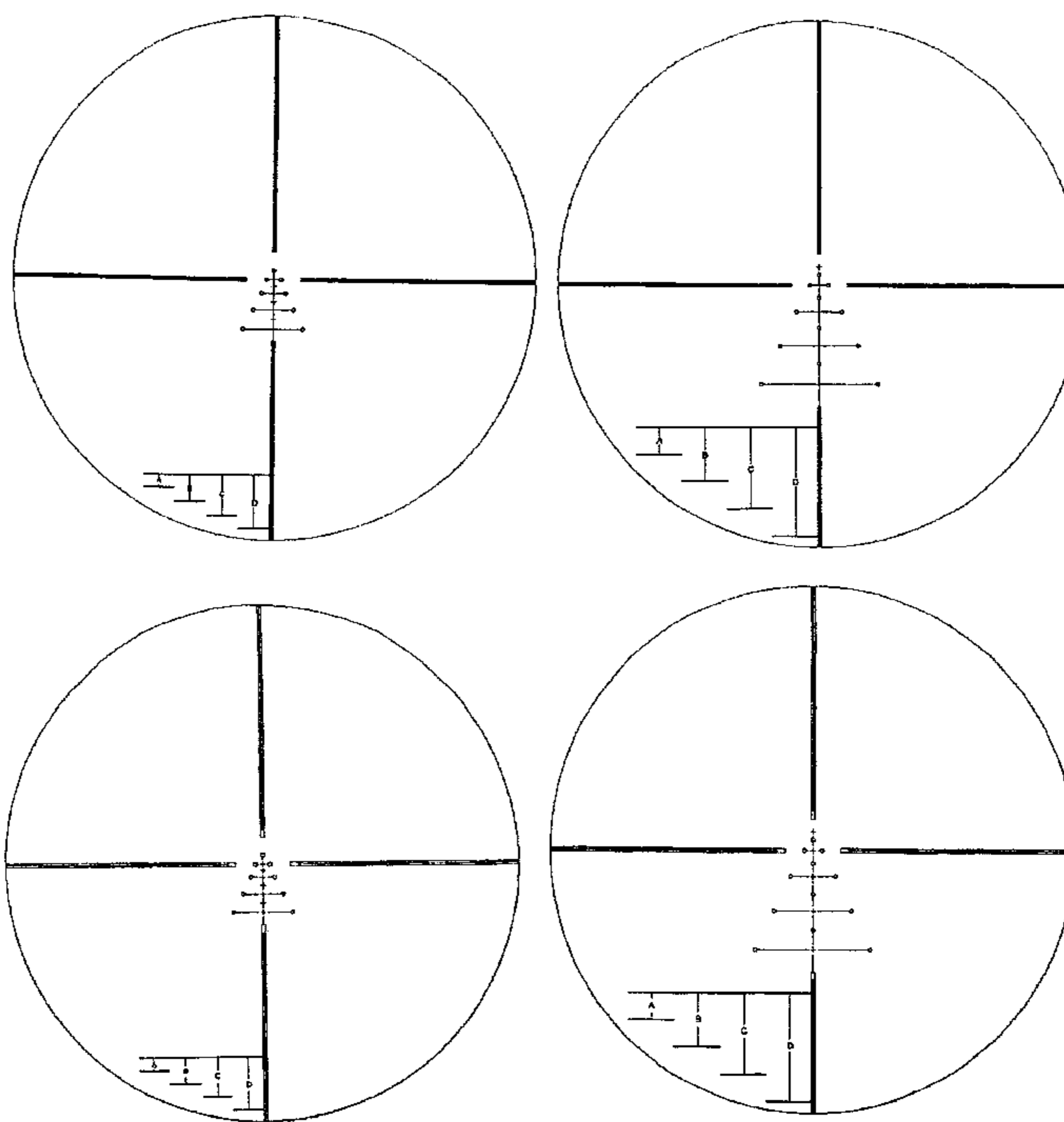
FIG. 5 is a front view, the rear view corresponding to FIG. 5;

FIG. 6 is a side view, the views from the other side, top and bottom all corresponding to FIG. 6 as the reticle and graticule is of circular shape;

FIG. 7 is a front view, the rear view corresponding to FIG. 7; and,

FIG. 8 is a side view, the views from the other side, top and bottom all corresponding to FIG. 8 as the reticle and graticule is of circular shape.

1 Claim, 4 Drawing Sheets



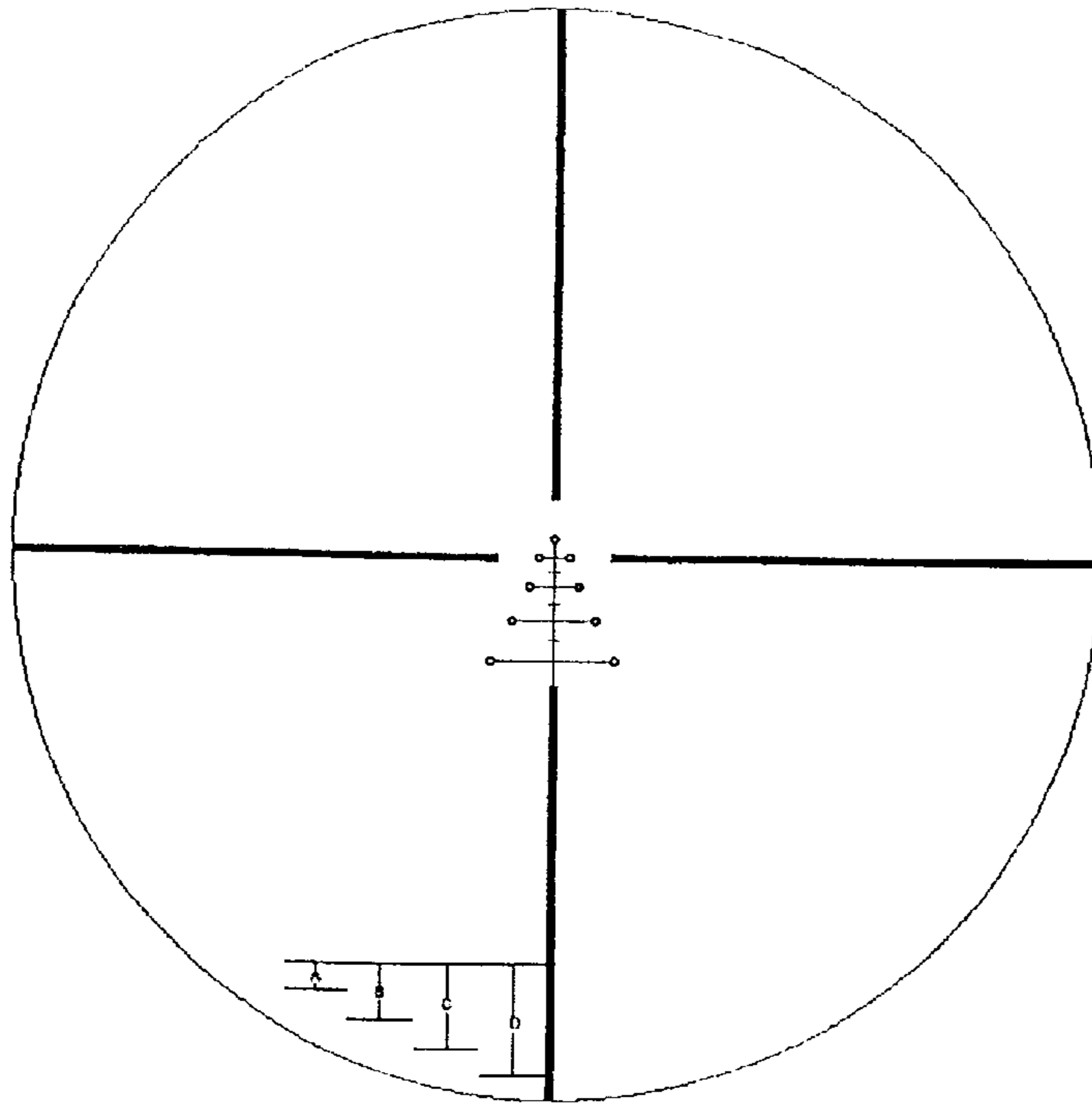


Figure 1

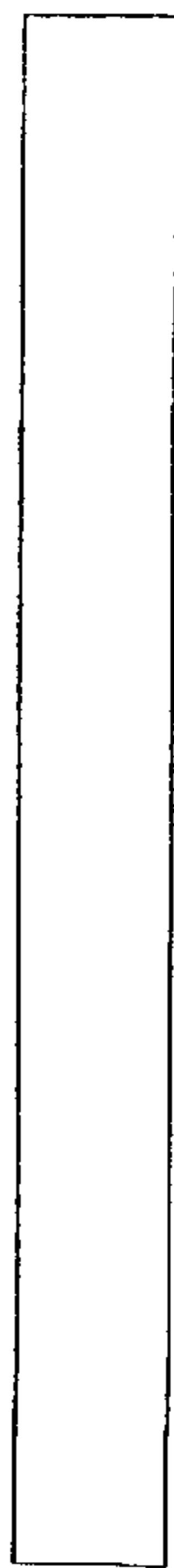


Figure 2

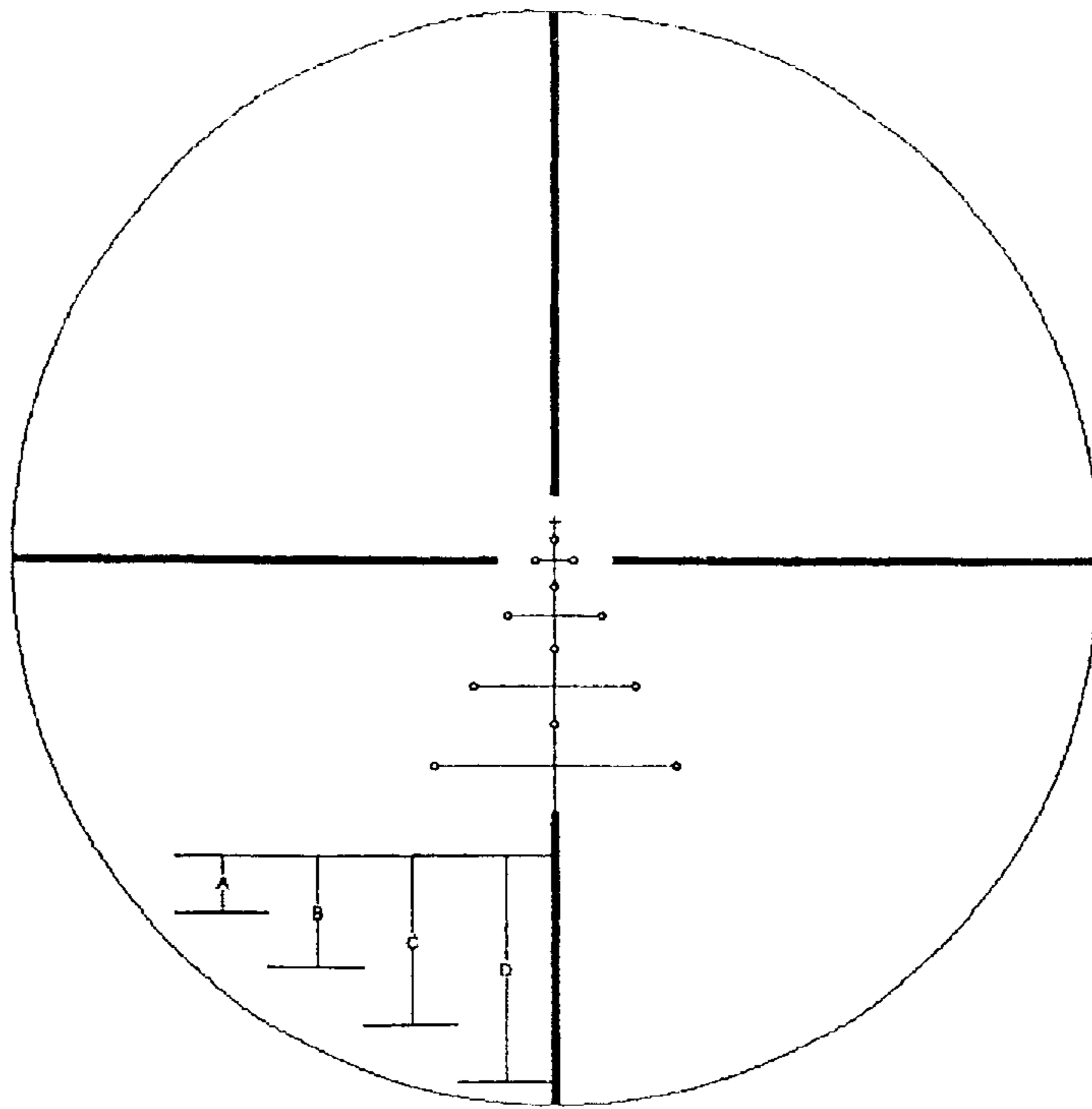


Figure 3

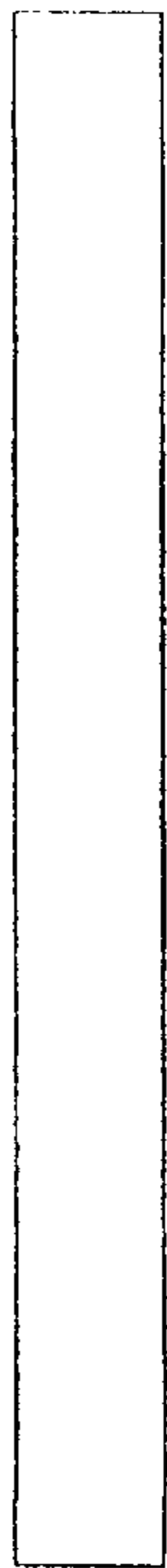


Figure 4

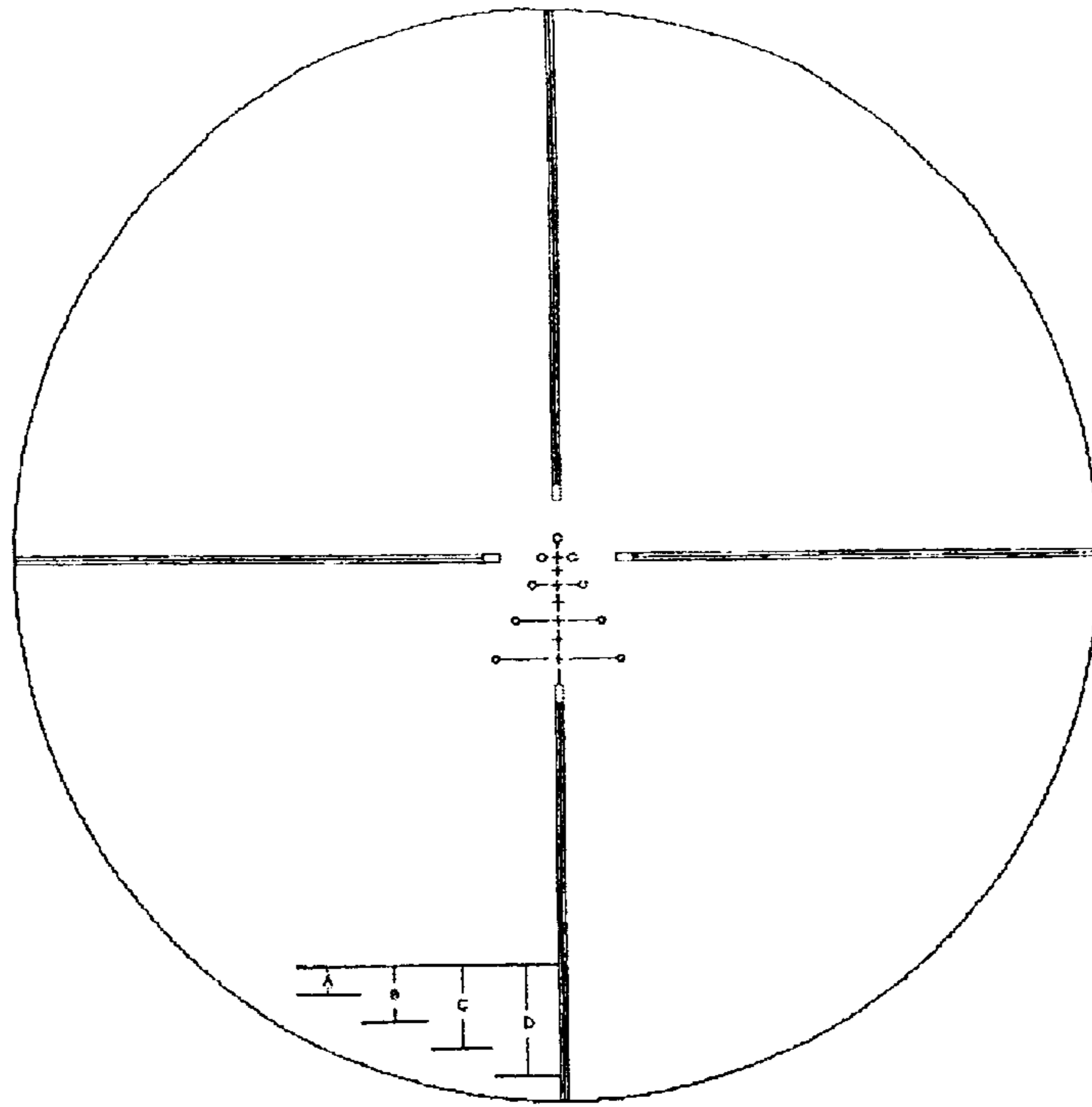


Figure 5



Figure 6

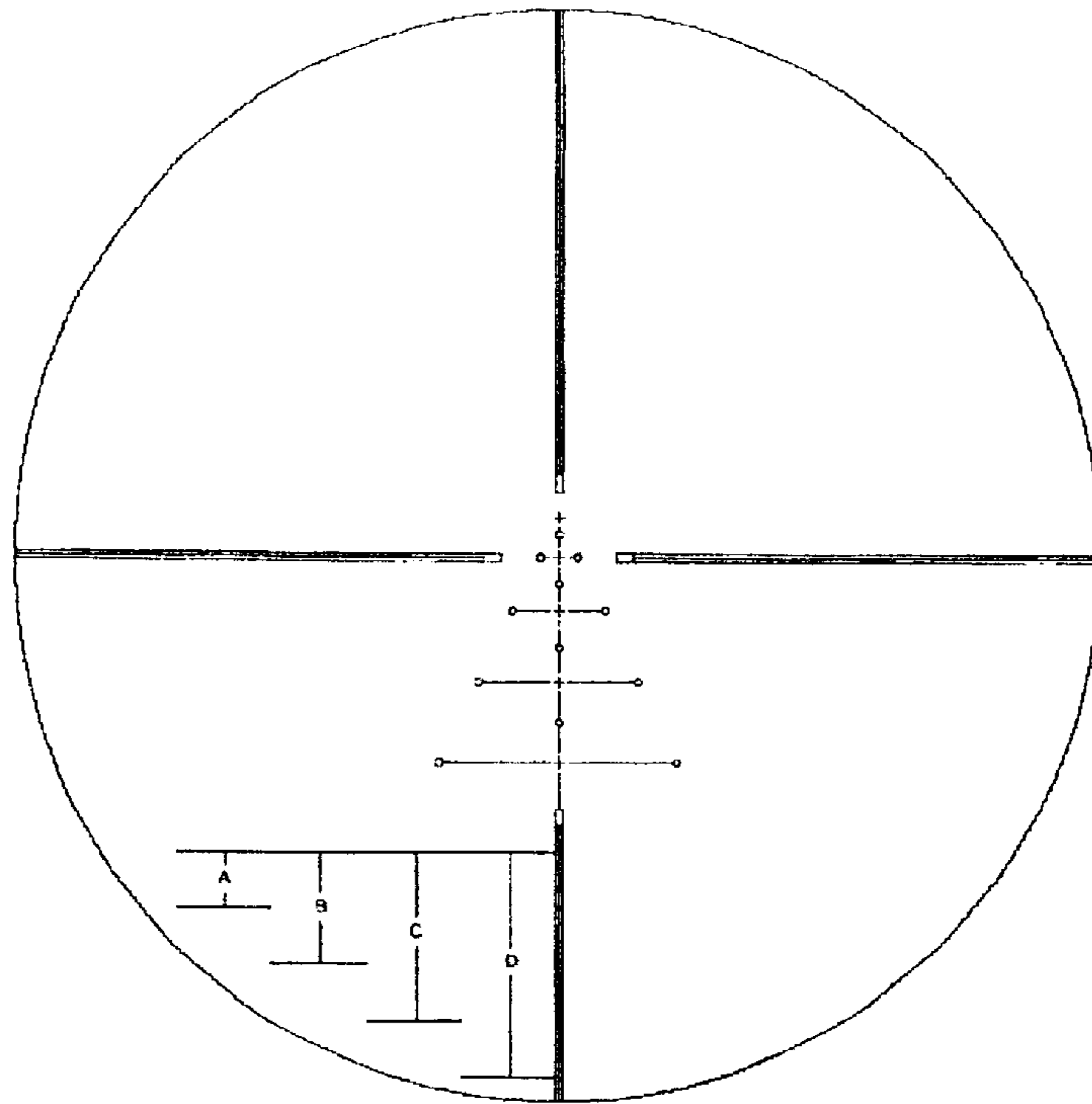


Figure 7



Figure 8