



US00D522029S

(12) **United States Design Patent**  
**Moune et al.**

(10) **Patent No.:** **US D522,029 S**  
(45) **Date of Patent:** **\*\* May 30, 2006**

(54) **COMPONENT OF A FLAT HARMONIC DRIVE ACTUATOR**

4,715,247 A \* 12/1987 Honda et al. .... 74/640  
5,937,710 A \* 8/1999 Gould et al. .... 74/640  
6,786,112 B1 \* 9/2004 Ruttor ..... 74/640

(75) Inventors: **Stéphanie Moune**, Nagano-ken (JP);  
**Keiji Ueura**, Nagano-ken (JP); **Noboru Takizawa**, Nagano-ken (JP)

\* cited by examiner

(73) Assignee: **Harmonic Drive Systems, Inc.**, Tokyo (JP)

*Primary Examiner*—Antoine D. Davis  
*Assistant Examiner*—Patricia Palasik  
(74) *Attorney, Agent, or Firm*—Buchanan Ingersoll PC

(\*\*) Term: **14 Years**

(57) **CLAIM**

(21) Appl. No.: **29/215,869**

The ornamental design for a component of a flat harmonic drive actuator, as shown and described.

(22) Filed: **Oct. 27, 2004**

**DESCRIPTION**

(30) **Foreign Application Priority Data**

Oct. 27, 2004 (JP) ..... 2004-012698

(51) **LOC (8) Cl.** ..... **15-09**

(52) **U.S. Cl.** ..... **D15/199**

(58) **Field of Classification Search** ..... D15/148,  
D15/149, 199; 74/640; 310/83

See application file for complete search history.

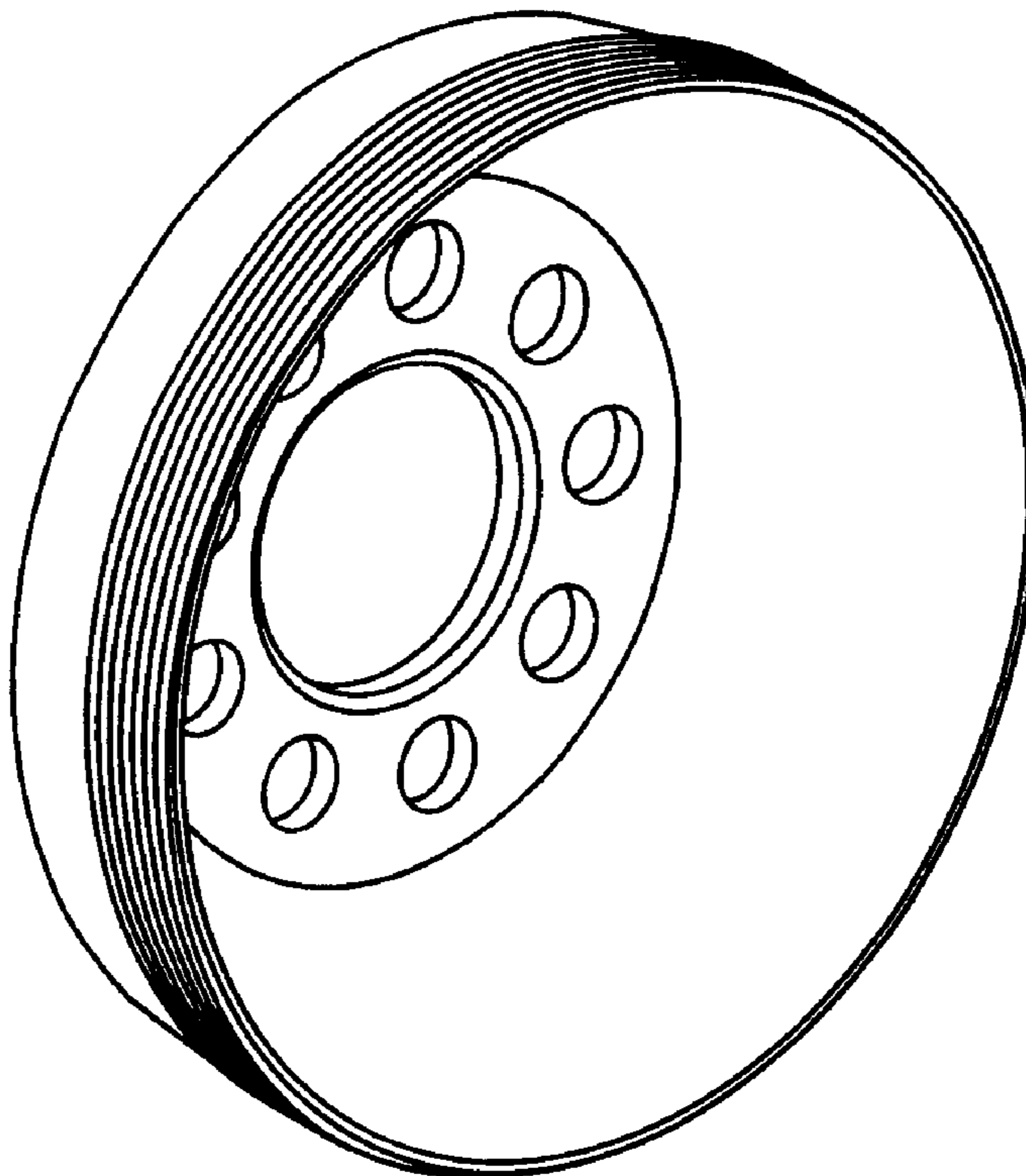
FIG. 1 is a front, side perspective view of a component of a flat harmonic drive actuator showing our new design.  
FIG. 2 is a rear, side perspective view thereof.  
FIG. 3 is a front elevational view thereof  
FIG. 4 is a rear elevational view thereof.  
FIG. 5 is a left side elevational view thereof; the right side being a mirror image thereof.  
FIG. 6 is a top plan view thereof the bottom plan being a mirror image thereof; and,  
FIG. 7 is a cross-sectional view taken generally along the line 7—7 of FIG. 3.

(56) **References Cited**

**U.S. PATENT DOCUMENTS**

3,039,324 A \* 6/1962 Waterfield ..... 74/640

**1 Claim, 7 Drawing Sheets**



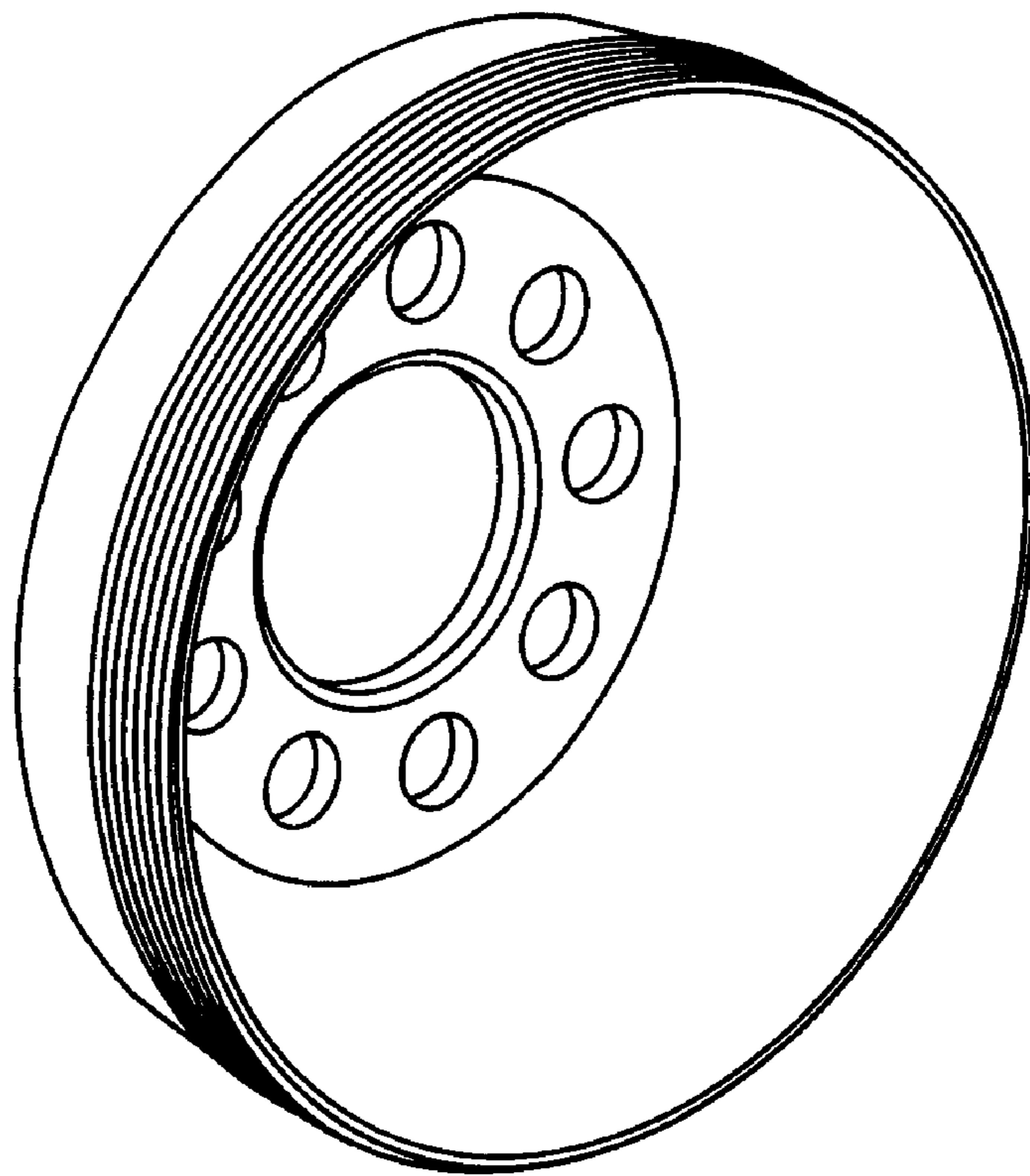


FIG. 1

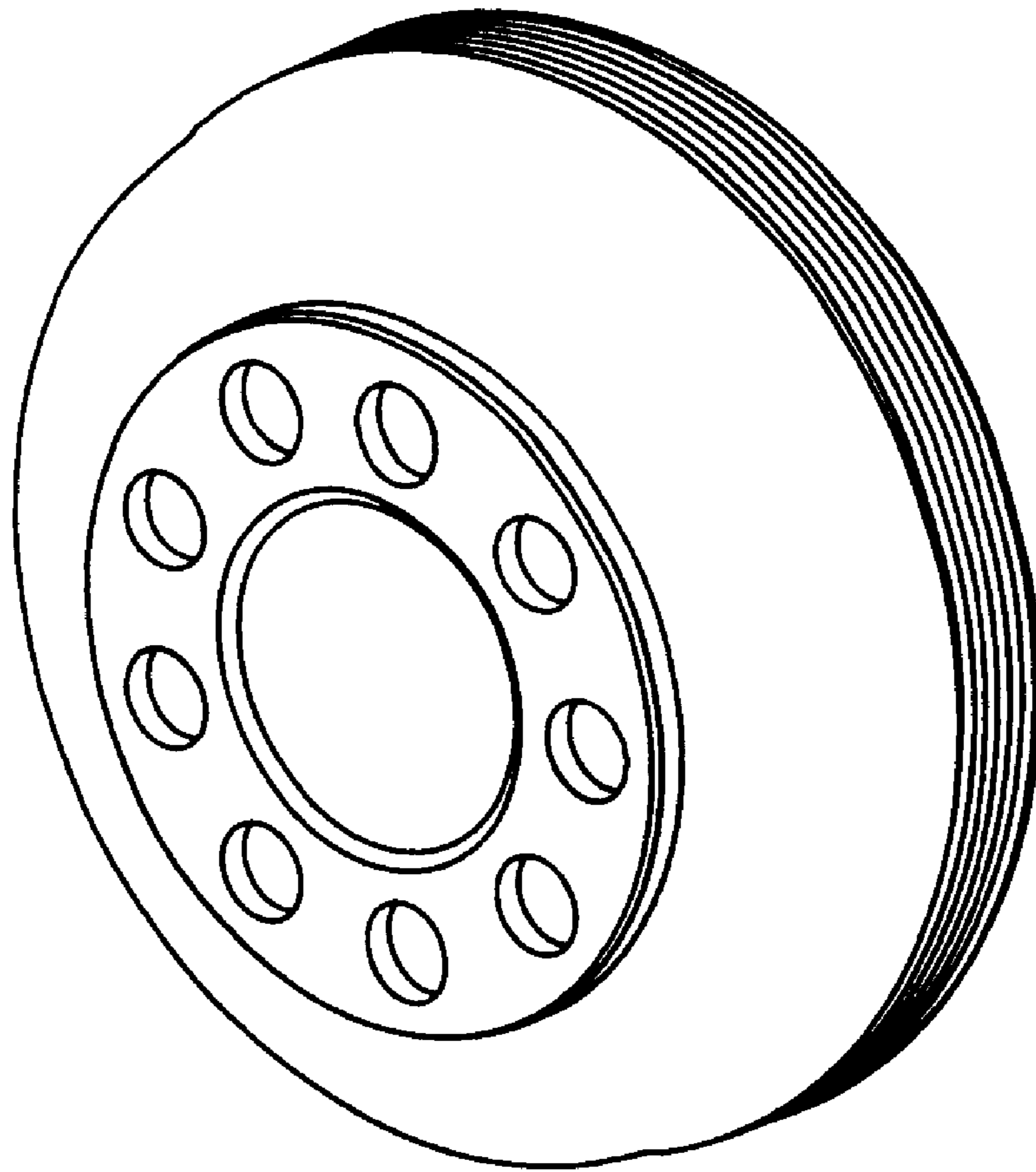


FIG. 2

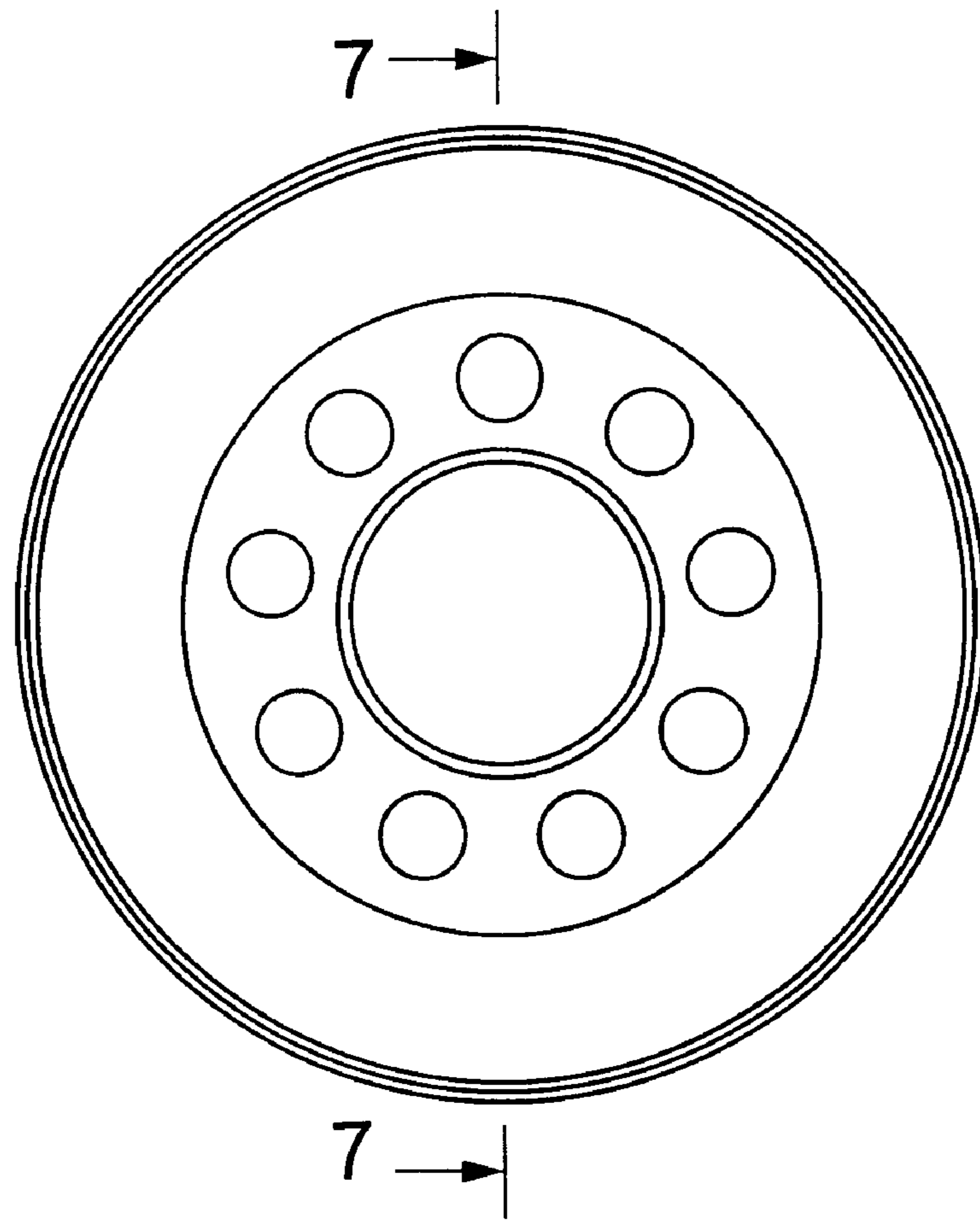


FIG. 3

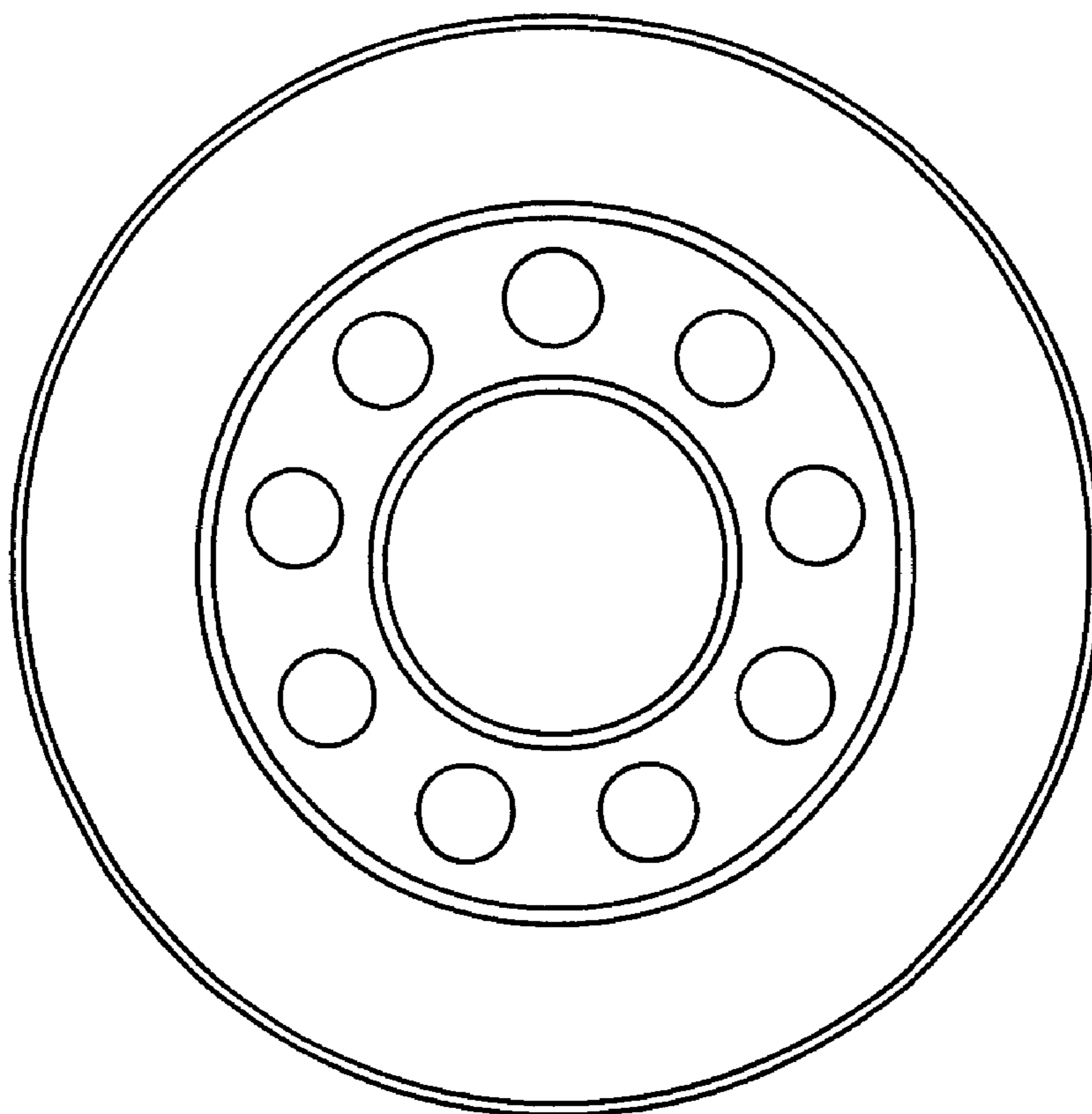


FIG. 4

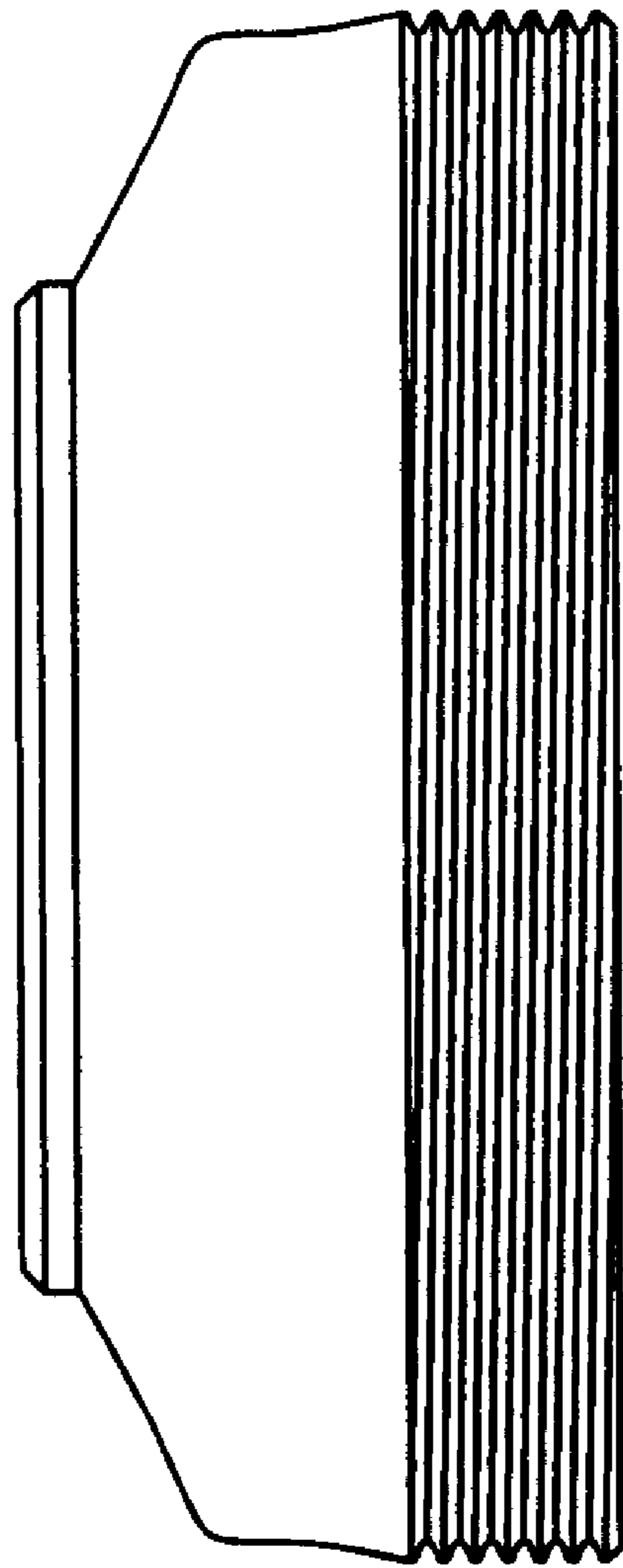


FIG. 5

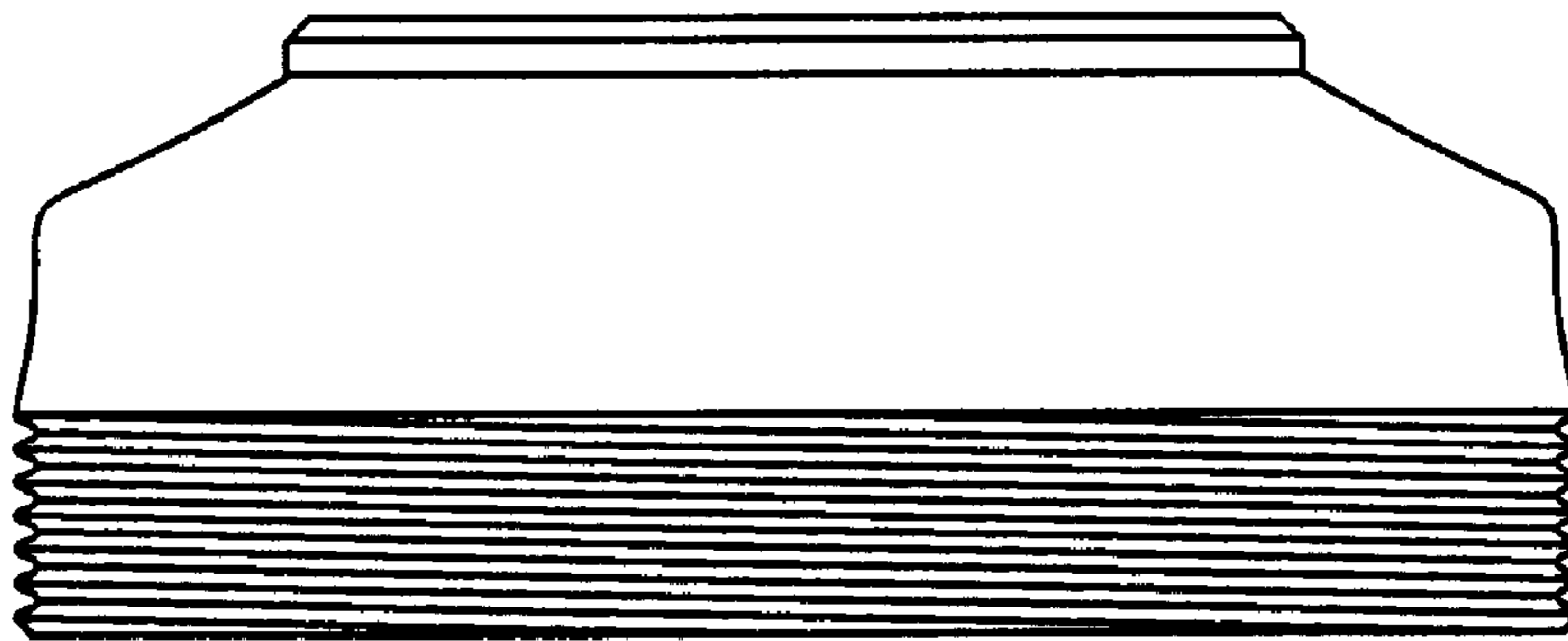


FIG. 6

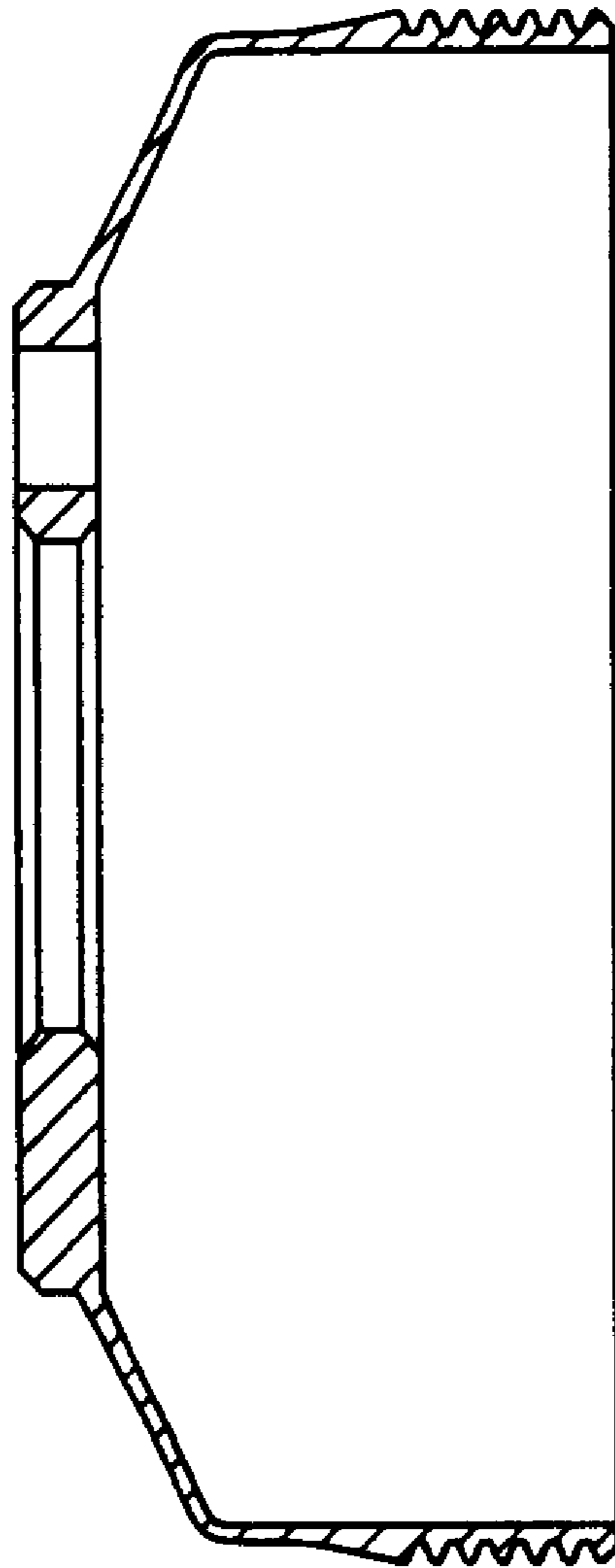


FIG. 7