



US00D522028S

(12) **United States Design Patent**
Beadle et al.

(10) **Patent No.:** **US D522,028 S**

(45) **Date of Patent:** **** May 30, 2006**

(54) **LINEAR ACTUATOR**

(75) Inventors: **Darryl Beadle**, Tallahassee, FL (US);
Hung Nguyen, Tallahassee, FL (US)

(73) Assignee: **GTO, Inc.**, Tallahassee, FL (US)

(**) Term: **14 Years**

(21) Appl. No.: **29/223,775**

(22) Filed: **Feb. 18, 2005**

(51) **LOC (8) Cl.** **15-09**

(52) **U.S. Cl.** **D15/148; D15/143**

(58) **Field of Classification Search** D15/143,
D15/148, 199; 74/89.15, 490.9, 411.5; 310/20,
310/80; 297/14, 325, 327
See application file for complete search history.

(56) **References Cited**

U.S. PATENT DOCUMENTS

6,344,718 B1 * 2/2002 Nagai et al. 318/14
D487,902 S * 3/2004 Nielsen et al. D15/143

* cited by examiner

Primary Examiner—Antoine D. Davis

Assistant Examiner—Patricia Palasik

(74) *Attorney, Agent, or Firm*—William H. Holliman

(57) **CLAIM**

The ornamental design for a linear actuator, as shown and described.

DESCRIPTION

FIG. 1 is a perspective view of the linear actuator of the present invention;

FIG. 2 is a top plan view of the linear actuator of the present invention;

FIG. 3 is a bottom plan view of the linear actuator of the present invention;

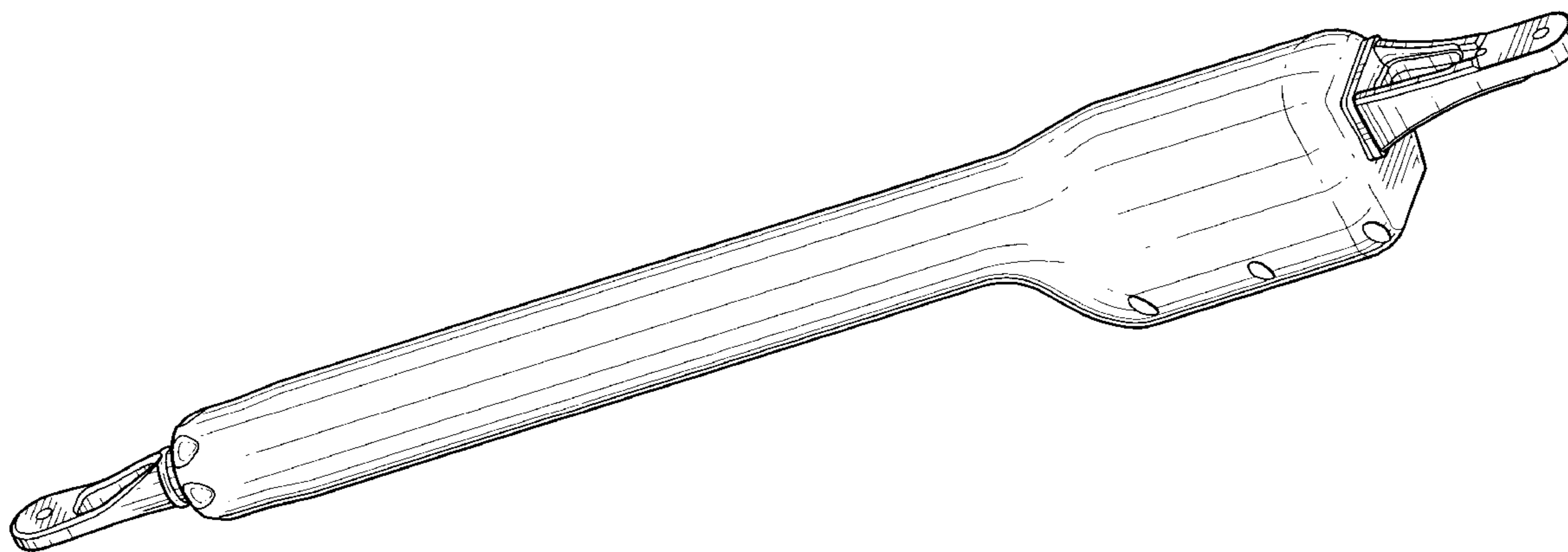
FIG. 4 is a left side view of the linear actuator of the present invention;

FIG. 5 is a right side view of the linear actuator of the present invention;

FIG. 6; is a front end view of the linear actuator of the present invention; and,

FIG. 7 is a rear end view of the linear actuator of the present invention.

1 Claim, 4 Drawing Sheets



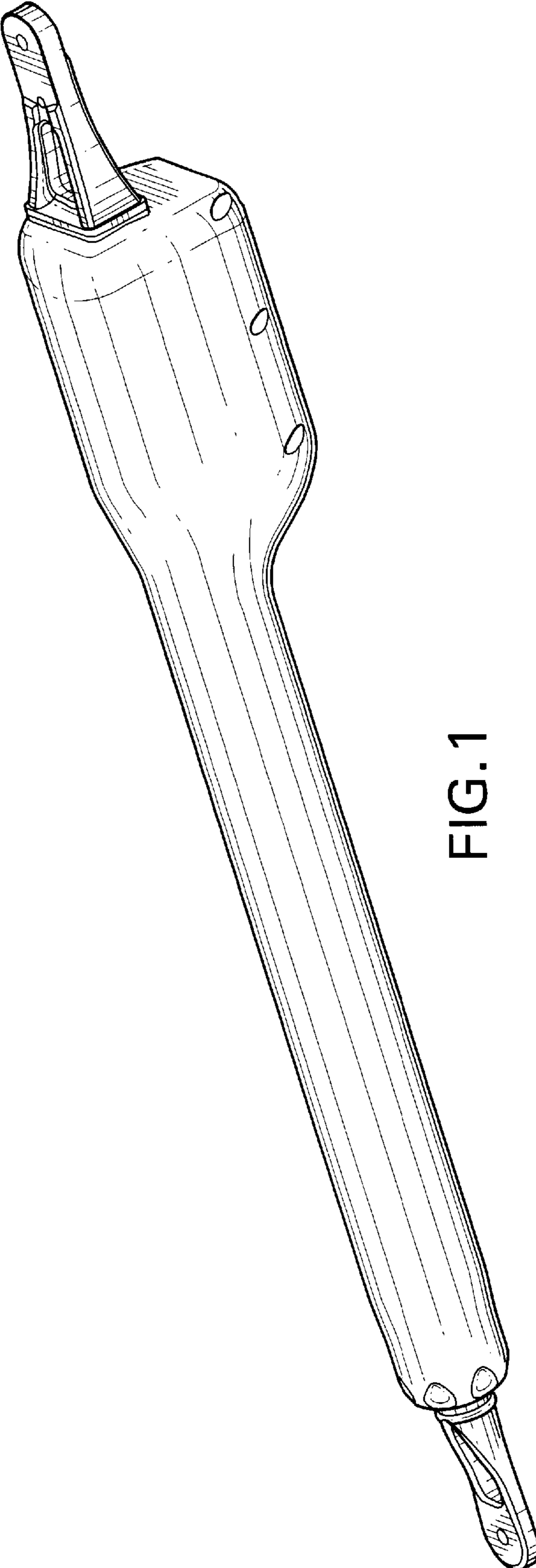


FIG. 1

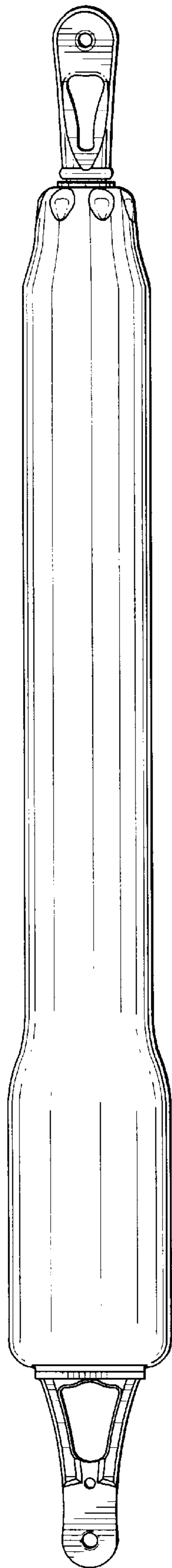


FIG. 2

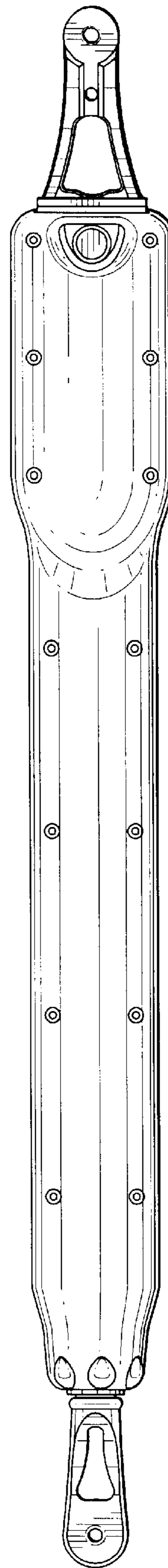


FIG. 3

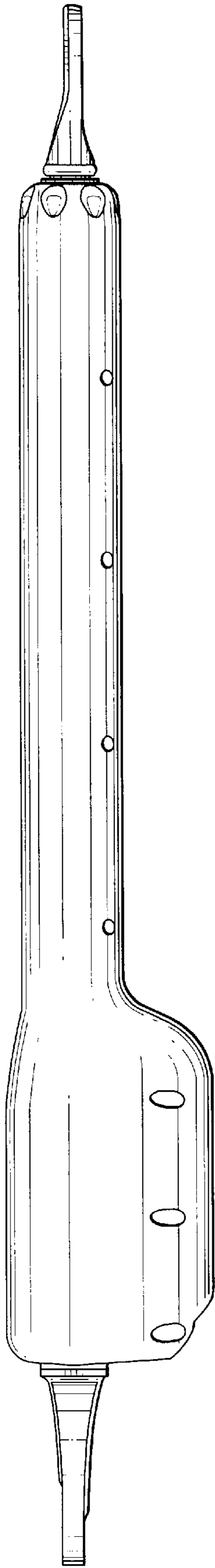


FIG. 4

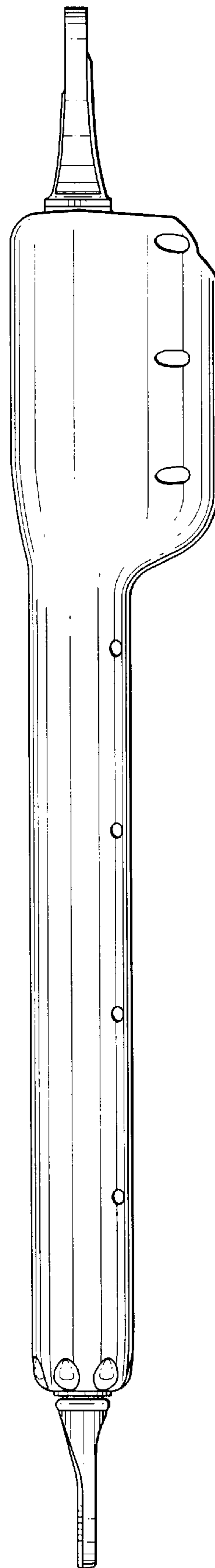


FIG. 5

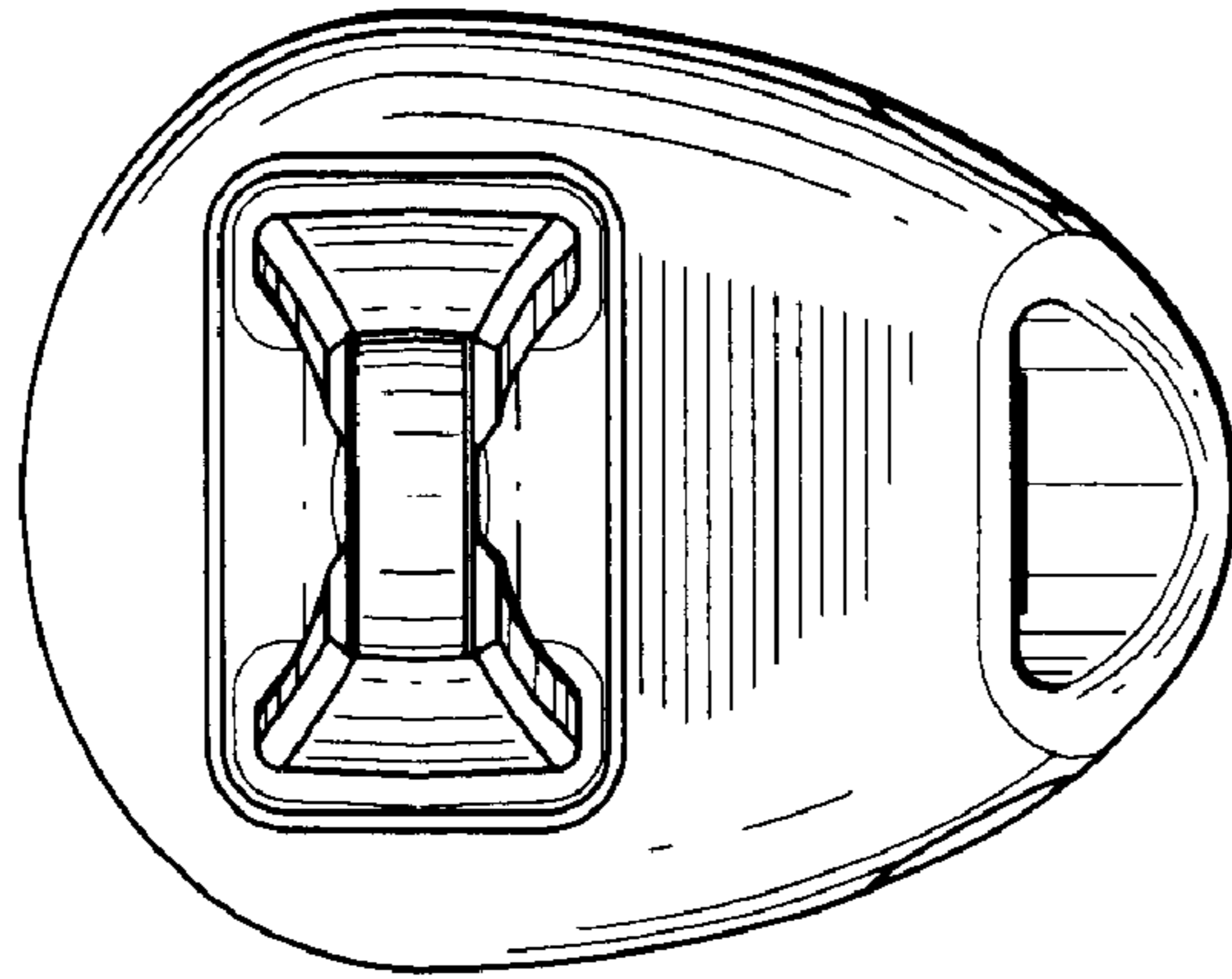


FIG. 7

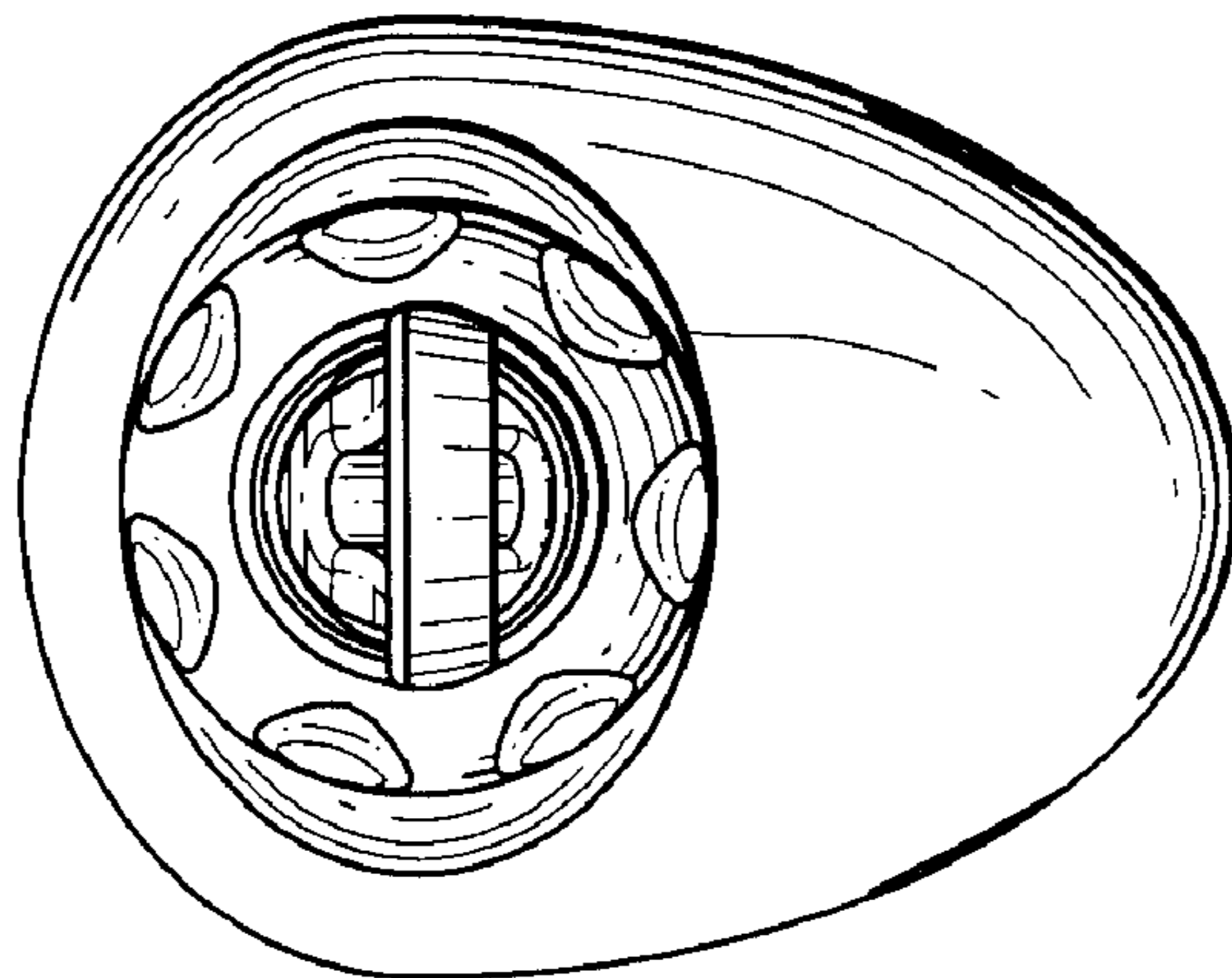


FIG. 6