



US00D522027S

(12) **United States Design Patent**  
**Saito**

(10) **Patent No.:** **US D522,027 S**

(45) **Date of Patent:** **\*\* May 30, 2006**

(54) **ACTUATOR FOR DRIVE SWITCHING UNIT**

5,884,526 A \* 3/1999 Fogelberg ..... 74/335  
6,889,571 B1 \* 5/2005 Kalsi et al. .... 70/264

(75) Inventor: **Yasutaka Saito**, Yokohama (JP)

\* cited by examiner

(73) Assignee: **Jidosha Denki Kogyo Co., Ltd.**,  
Yokohama (JP)

*Primary Examiner*—Antoine D. Davis

*Assistant Examiner*—Patricia Palasik

(\*\*) Term: **14 Years**

(74) *Attorney, Agent, or Firm*—Sughrue Mion, PLLC

(21) Appl. No.: **29/212,891**

(57) **CLAIM**

(22) Filed: **Sep. 10, 2004**

The ornamental design for an actuator for drive switching unit, as shown.

(30) **Foreign Application Priority Data**

Apr. 26, 2004 (JP) ..... 2004-015517

**DESCRIPTION**

(51) **LOC (8) Cl.** ..... **15-09**

FIG. 1 is a perspective view of the top, front and left side of an actuator for drive switching unit showing my new design; FIG. 2 is a perspective view of the bottom, rear and right side thereof;

(52) **U.S. Cl.** ..... **D15/148**

(58) **Field of Classification Search** ..... D15/148,  
D15/149; 70/264, 279.1; 180/247, 248; 192/69.82;  
292/DIG. 23; 400/120.01, 625, 629; 475/230,  
475/295

FIG. 3 is a front elevational view thereof;

FIG. 4 is a rear elevational view thereof;

See application file for complete search history.

FIG. 5 is a top plan view thereof;

FIG. 6 is a bottom plan view thereof;

(56) **References Cited**

**U.S. PATENT DOCUMENTS**

2,707,375 A \* 5/1955 Hammond ..... 60/467

FIG. 7 is a right side elevational view thereof; and,

FIG. 8 is a left side elevational view thereof.

**1 Claim, 7 Drawing Sheets**

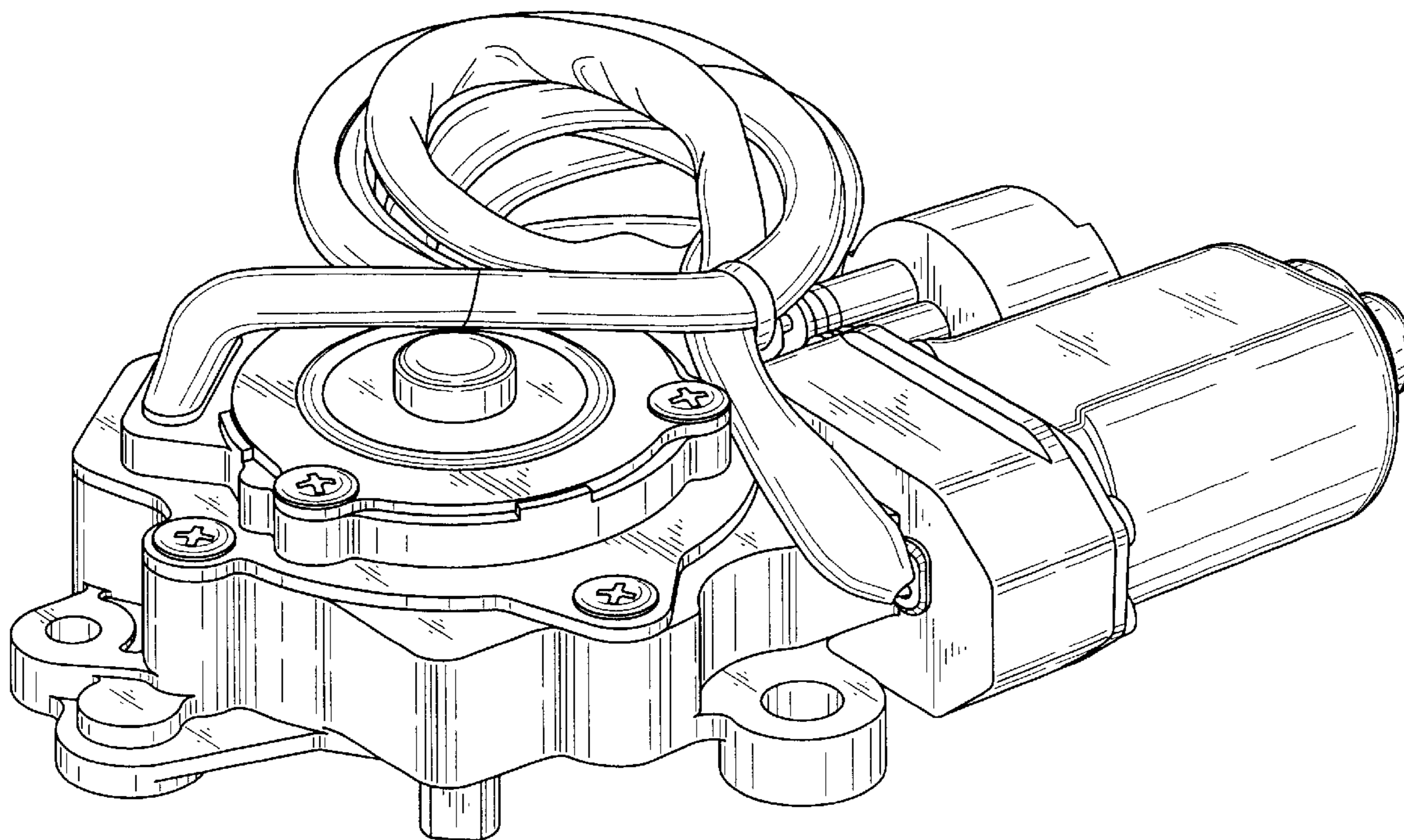


FIG. 1

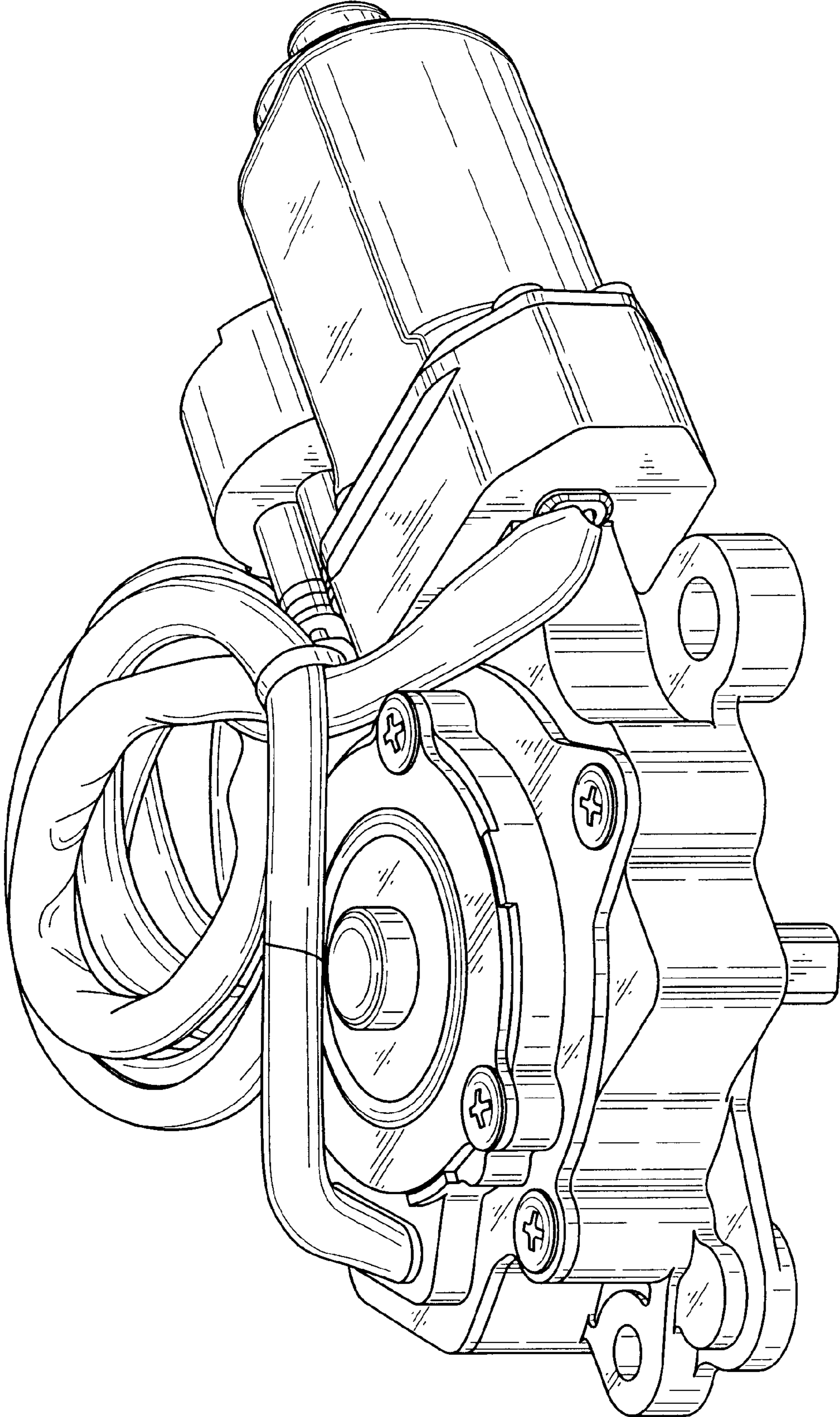




FIG. 2

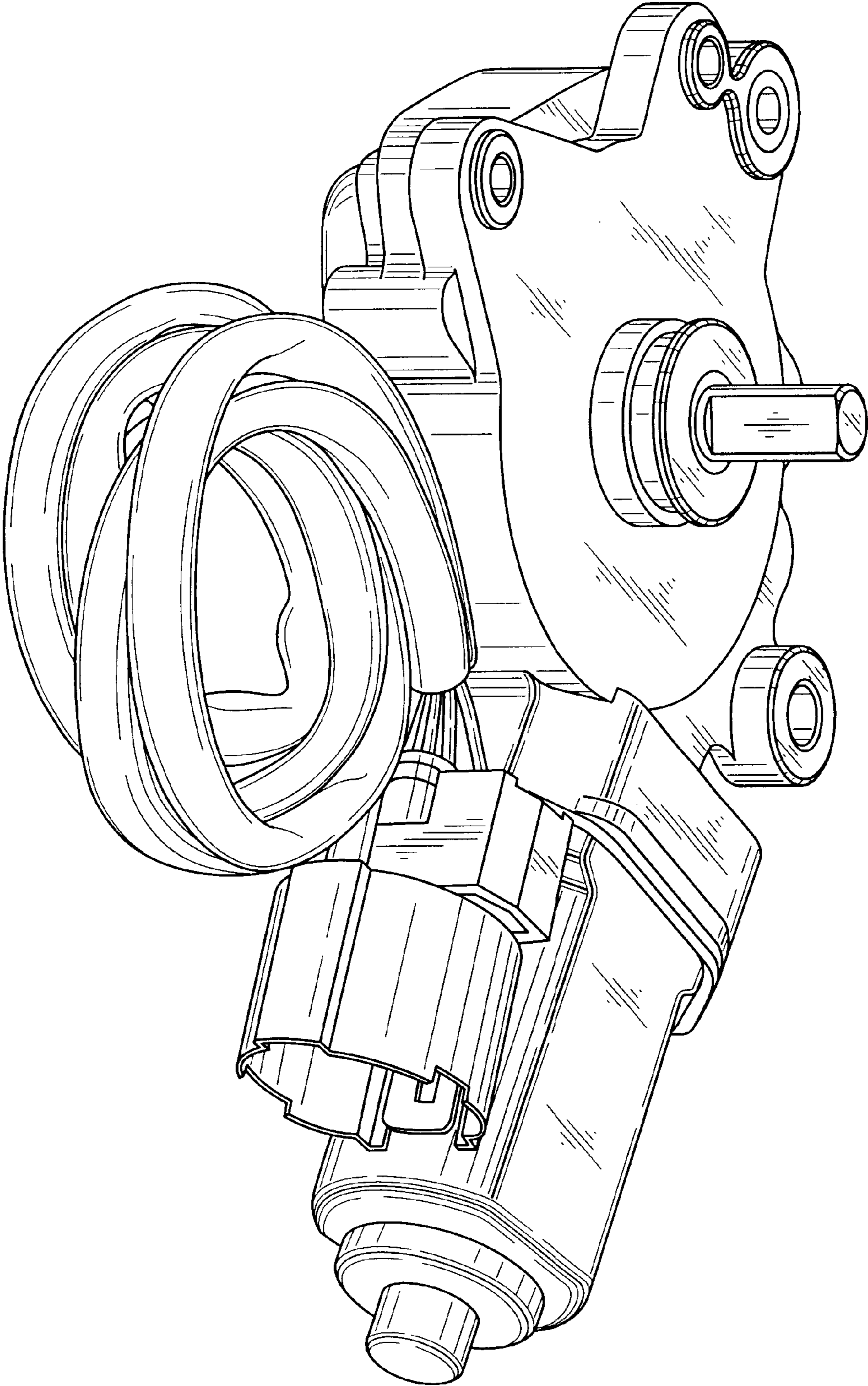


FIG. 3

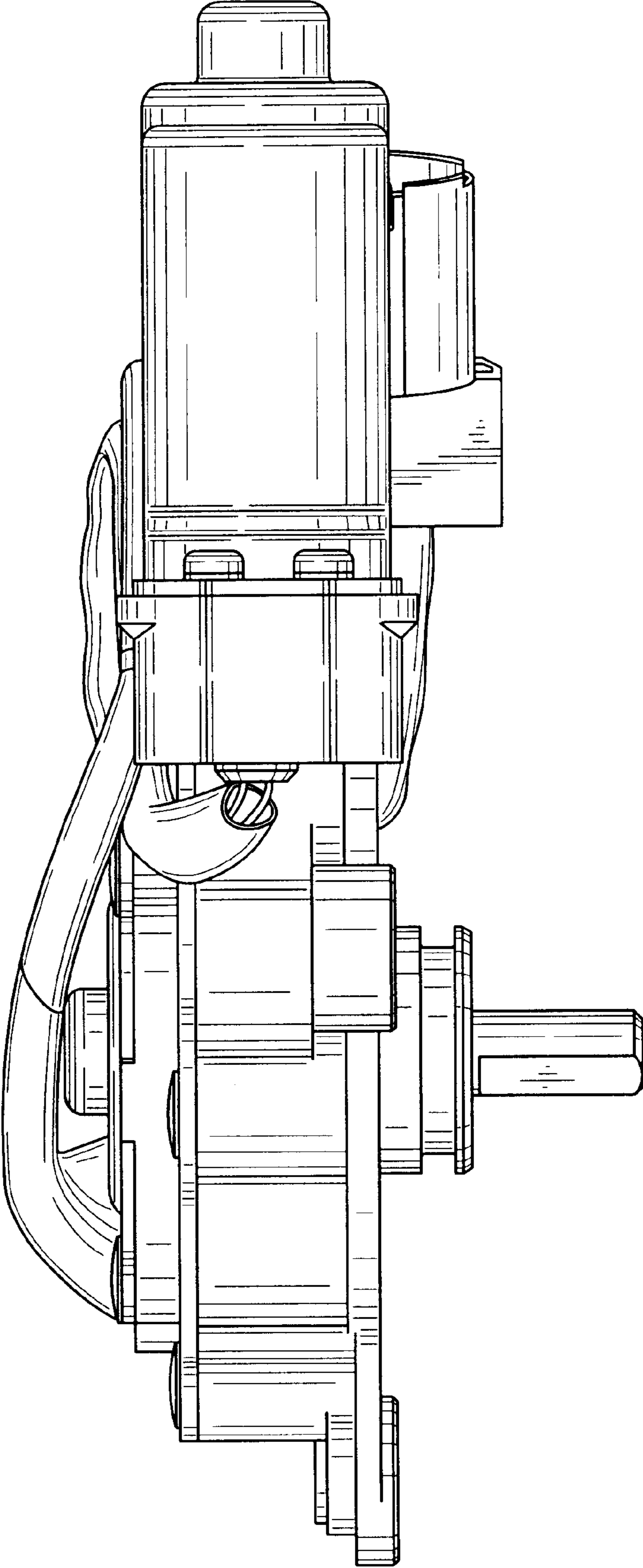
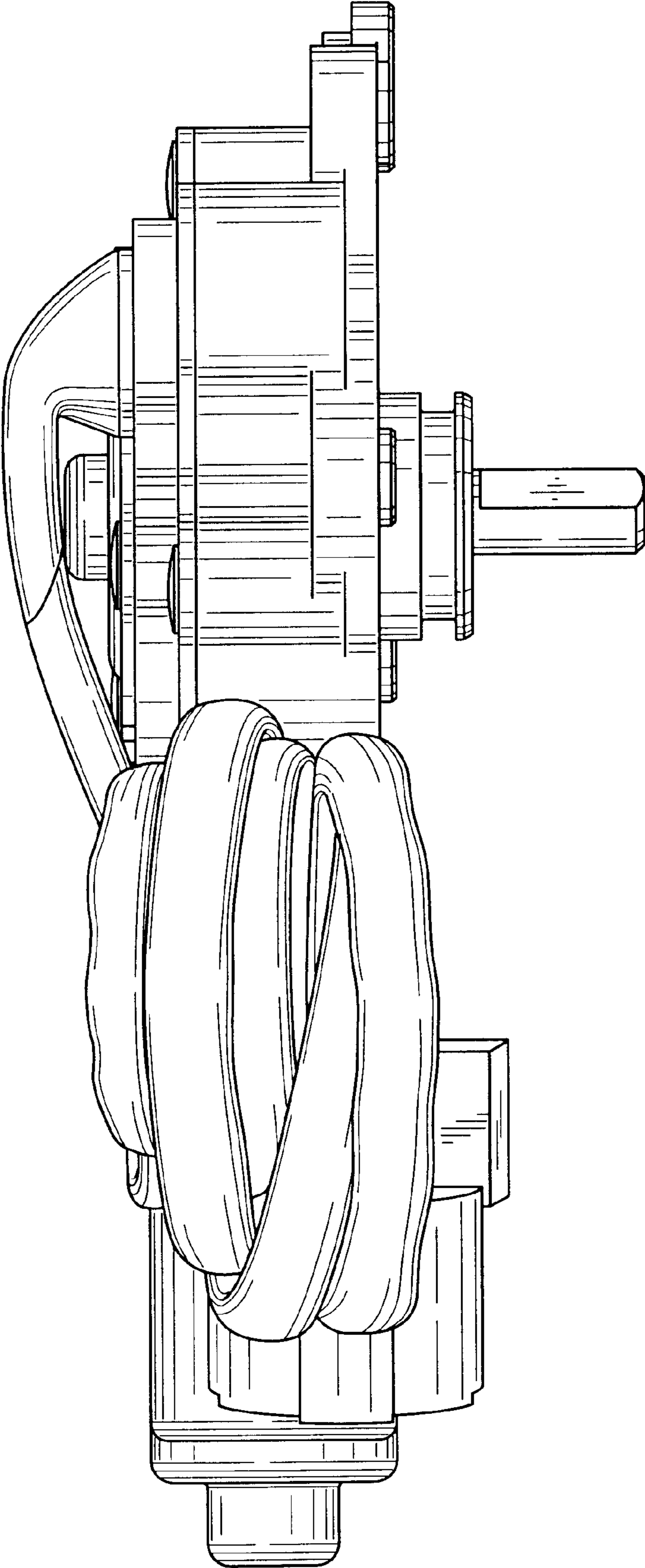


FIG. 4



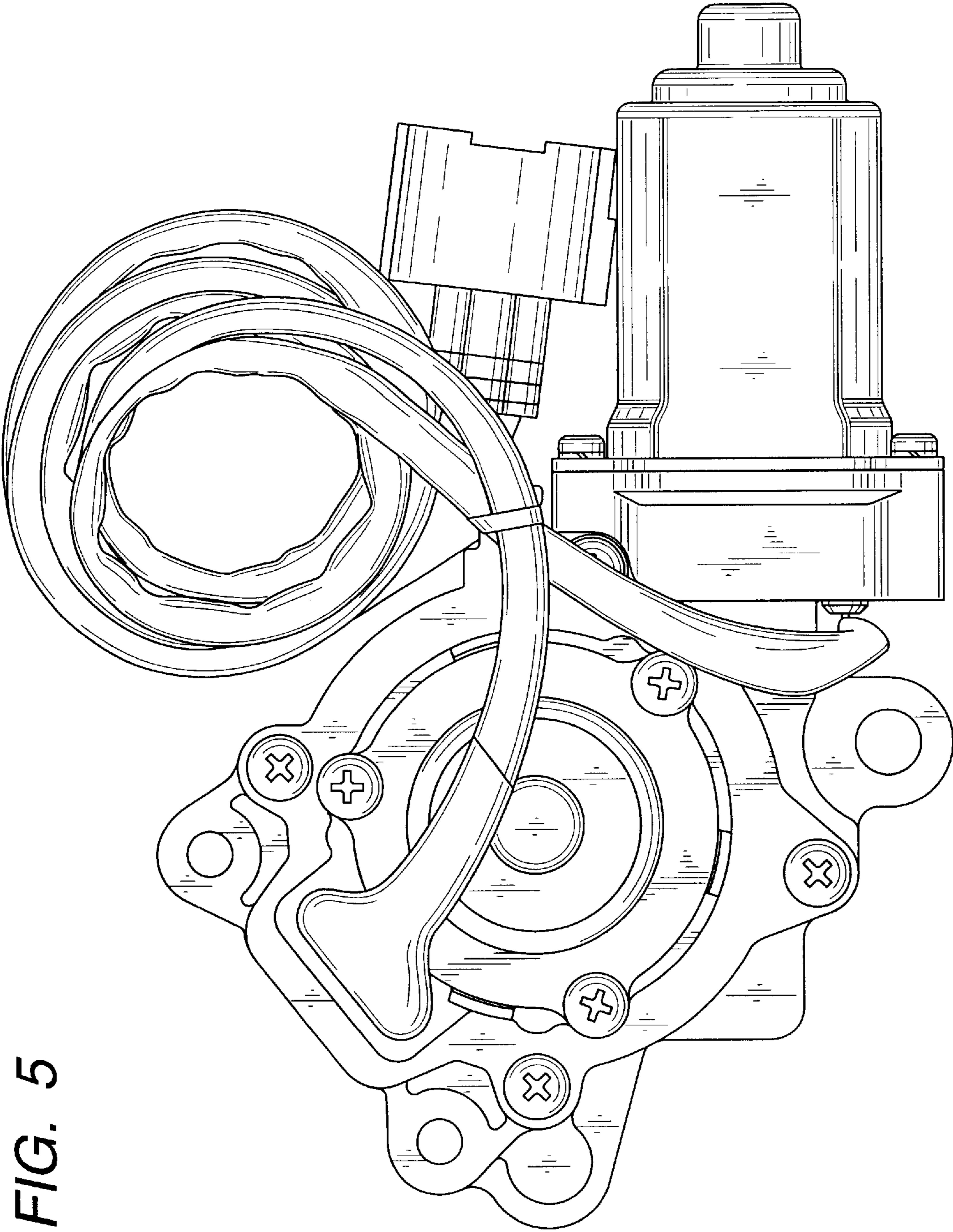


FIG. 5



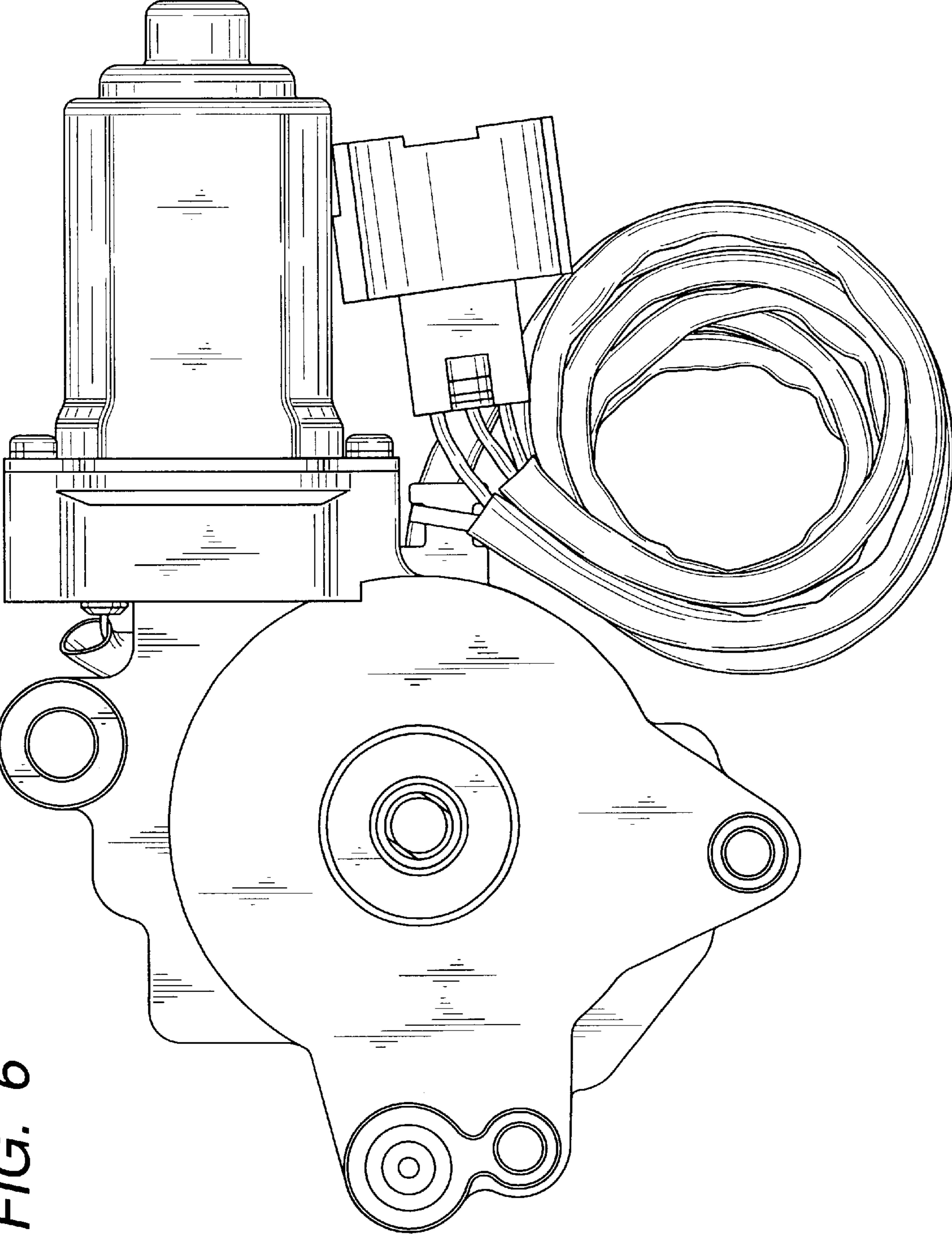
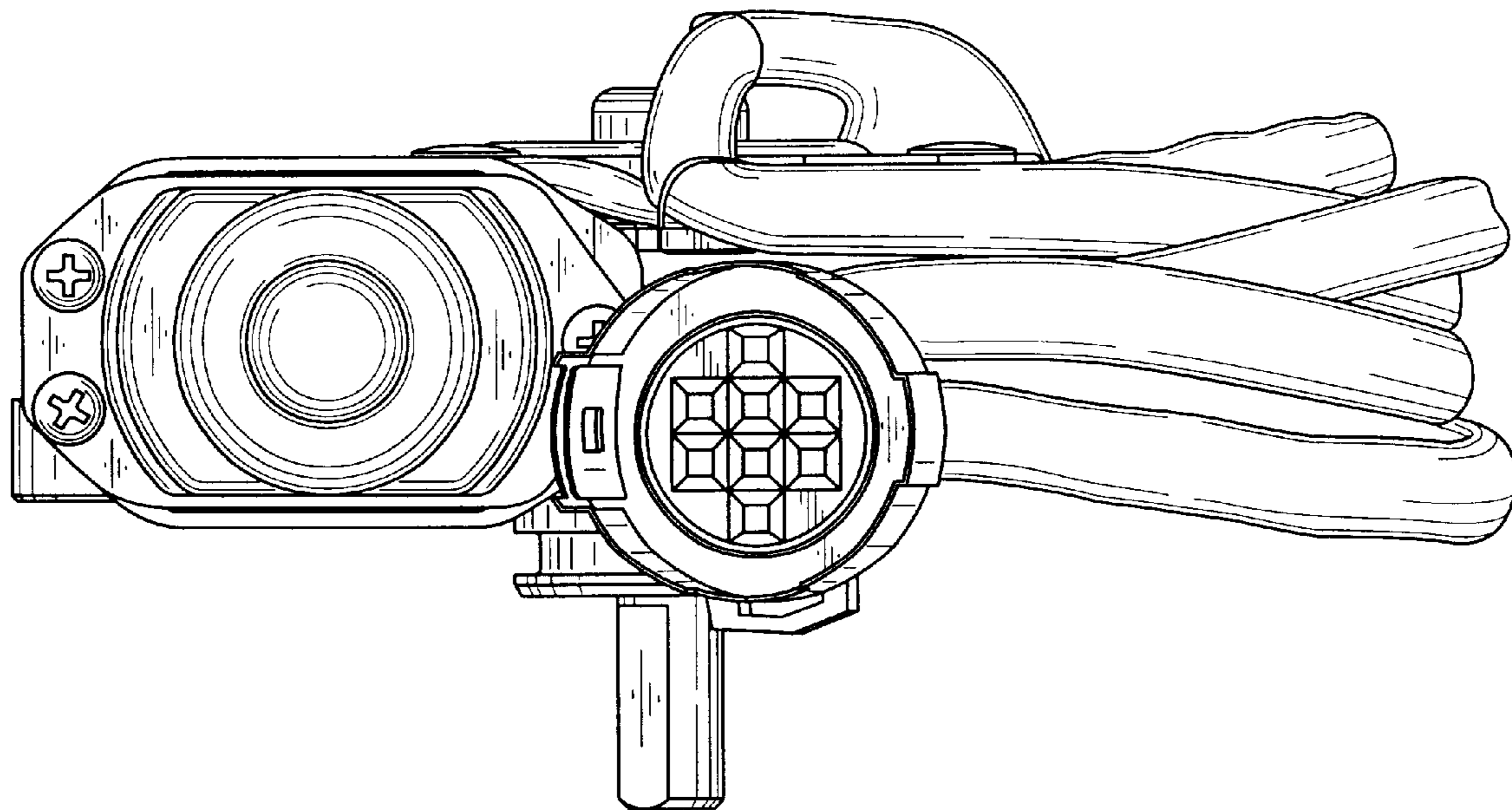


FIG. 6

*FIG. 7*



*FIG. 8*

