

US00D522026S

(12) **United States Design Patent**  
**Colson, Jr.**

(10) **Patent No.:** **US D522,026 S**

(45) **Date of Patent:** **\*\* May 30, 2006**

(54) **ELECTRODE FOR A PLASMA ARC TORCH**

5,767,472 A \* 6/1998 Walters ..... 219/121.59  
5,893,985 A 4/1999 Luo et al.

(75) Inventor: **Dana F. Colson, Jr.**, Sharon, VT (US)

\* cited by examiner

(73) Assignee: **Tatras, Inc.**, Claremont, NH (US)

*Primary Examiner*—Antoine D Davis

(\*\*) Term: **14 Years**

*Assistant Examiner*—Patricia Palasik

(21) Appl. No.: **29/207,354**

(74) *Attorney, Agent, or Firm*—Warner Norcross & Judd

(22) Filed: **Jun. 12, 2004**

(57) **CLAIM**

The ornamental designs for electrode for a plasma arc torch, as shown and described.

**Related U.S. Application Data**

**DESCRIPTION**

(63) Continuation-in-part of application No. 29/189,693, filed on Sep. 9, 2003, now Pat. No. Des. 496,376.

FIG. 1 is a perspective view of an electrode for a plasma arc torch showing my new design;

(51) **LOC (8) Cl.** ..... **15-09**

FIG. 2 is a front elevation view thereof;

(52) **U.S. Cl.** ..... **D15/144**

FIG. 3 is a top plan view thereof;

(58) **Field of Classification Search** ..... D15/144,

FIG. 4 is a left end elevation view thereof;

D15/144.1, 144.2; 219/121.44, 121.5

FIG. 5 is a right end elevation view thereof;

See application file for complete search history.

FIG. 6 is a bottom plan view thereof; and,

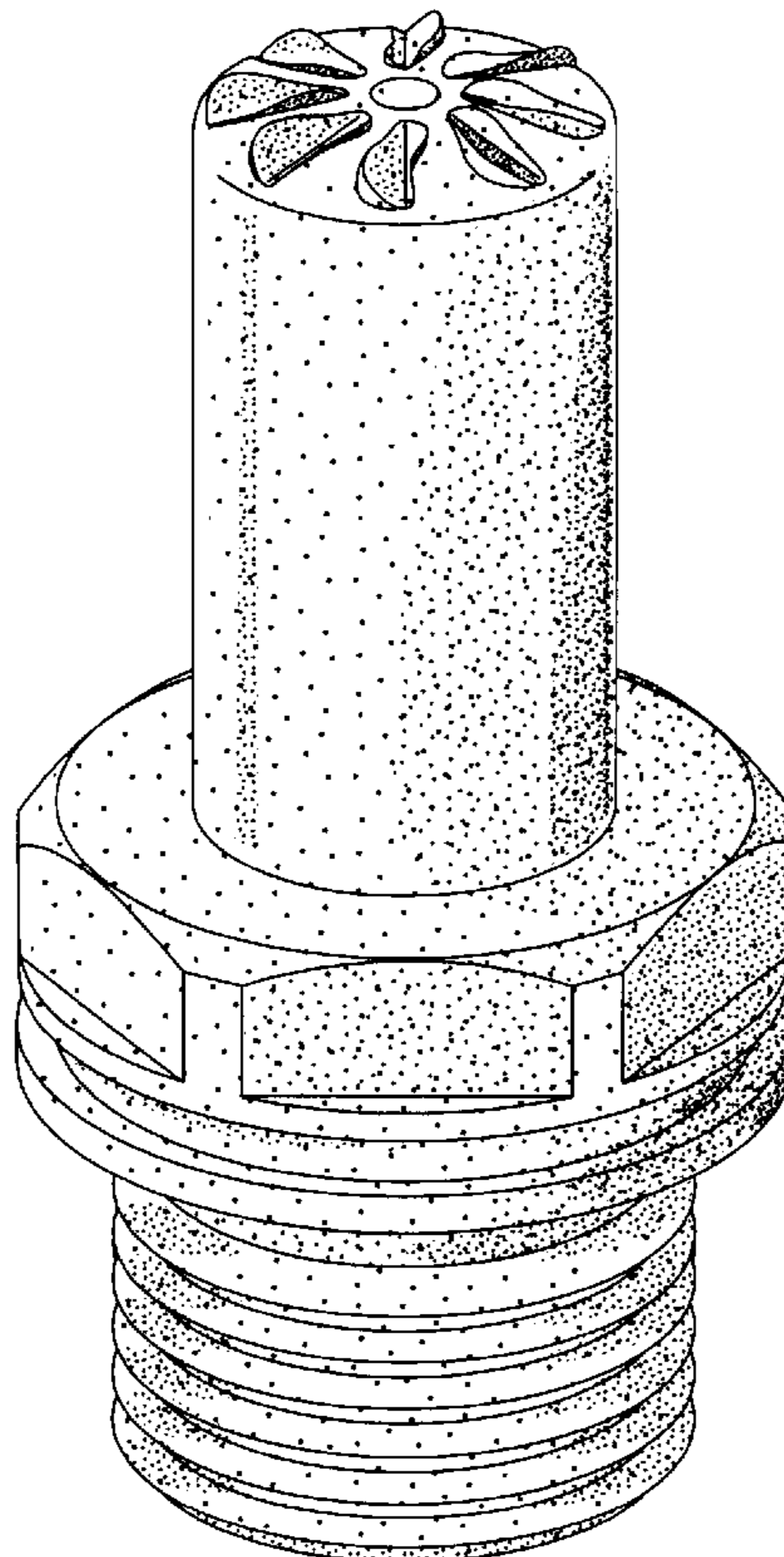
FIG. 7 is a rear elevation view thereof.

(56) **References Cited**

**U.S. PATENT DOCUMENTS**

4,782,210 A 11/1988 Nelson et al.

**1 Claim, 2 Drawing Sheets**



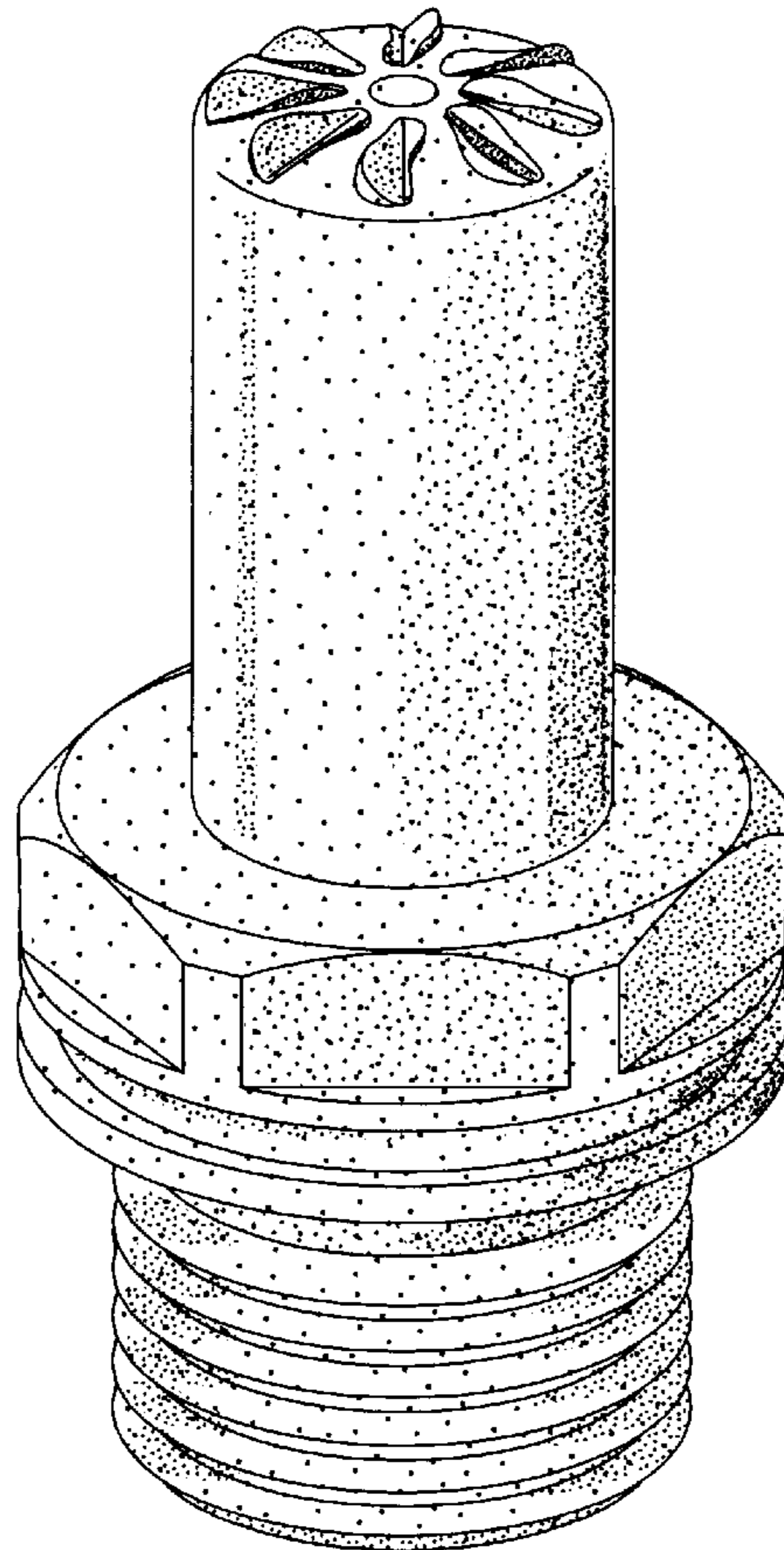


Fig. 1

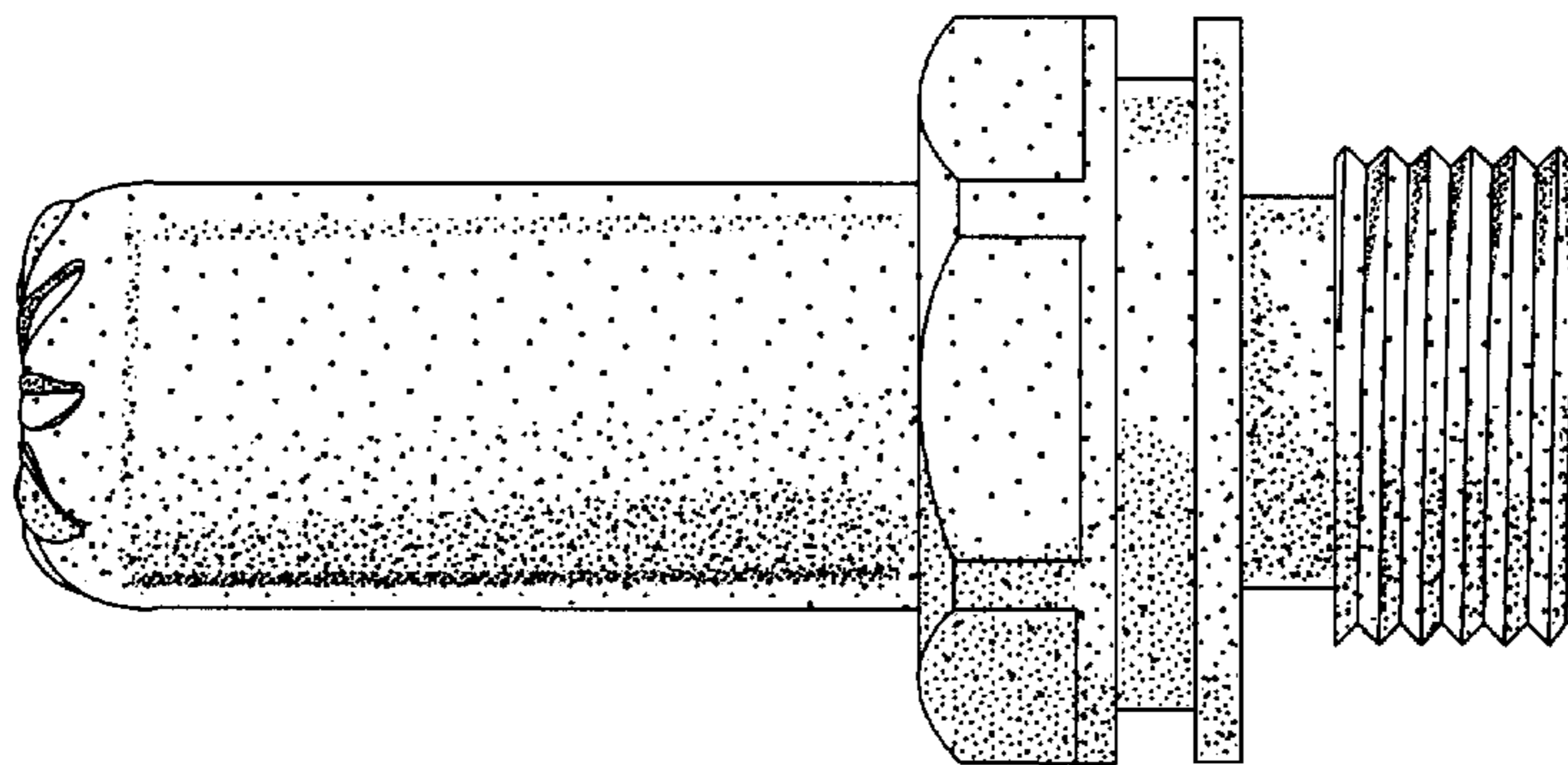


Fig. 2

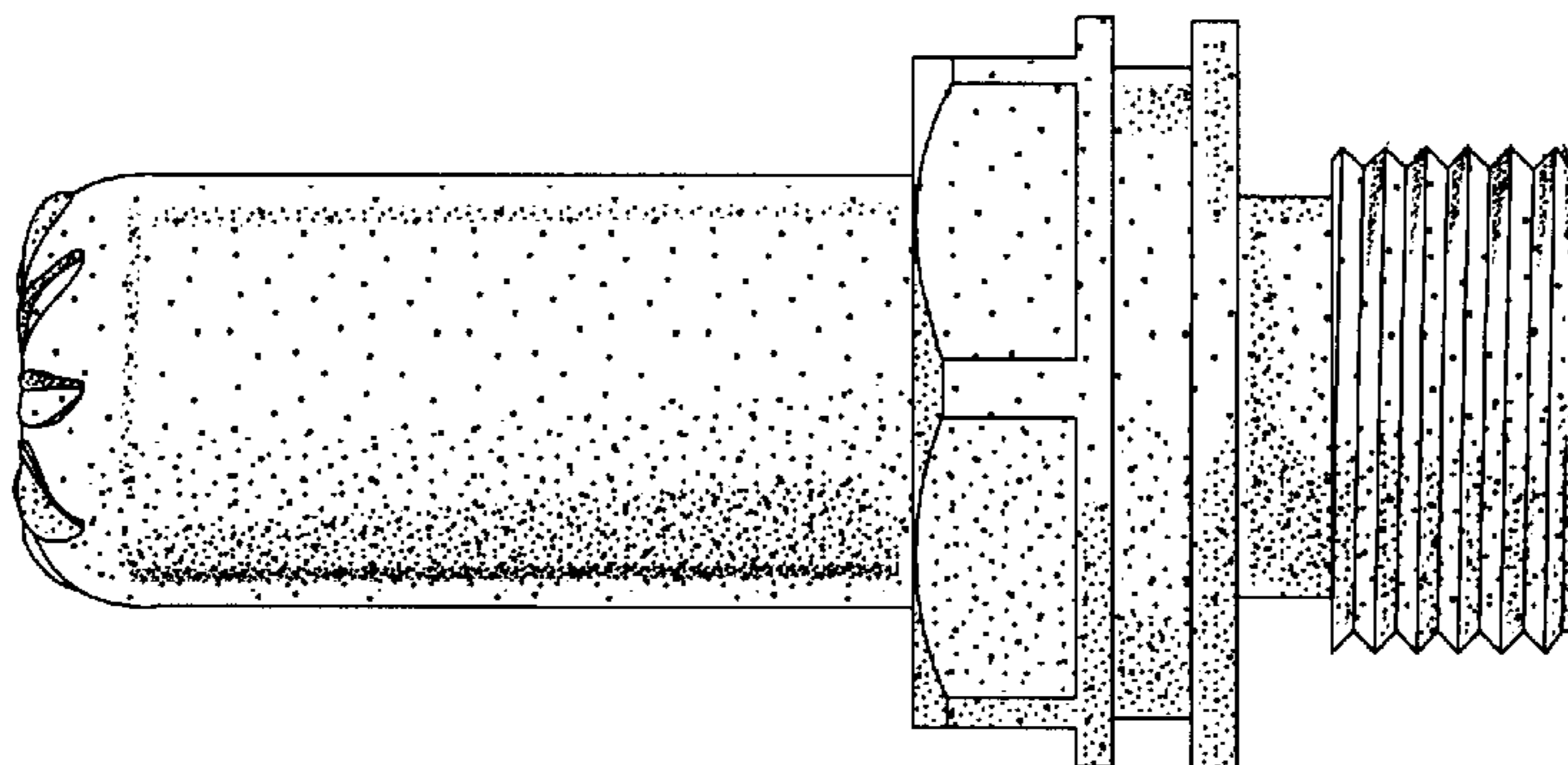


Fig. 3

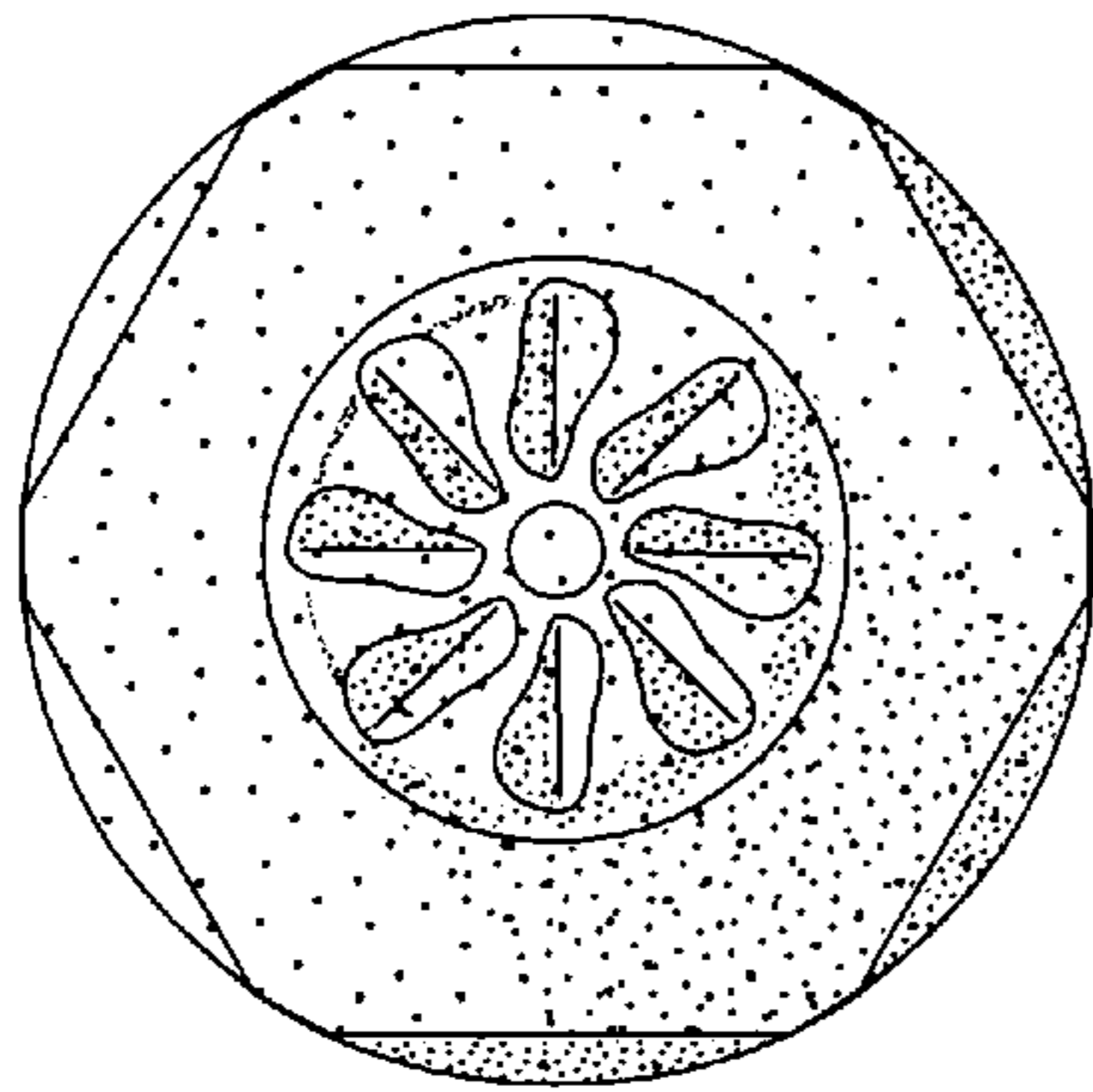


Fig. 4

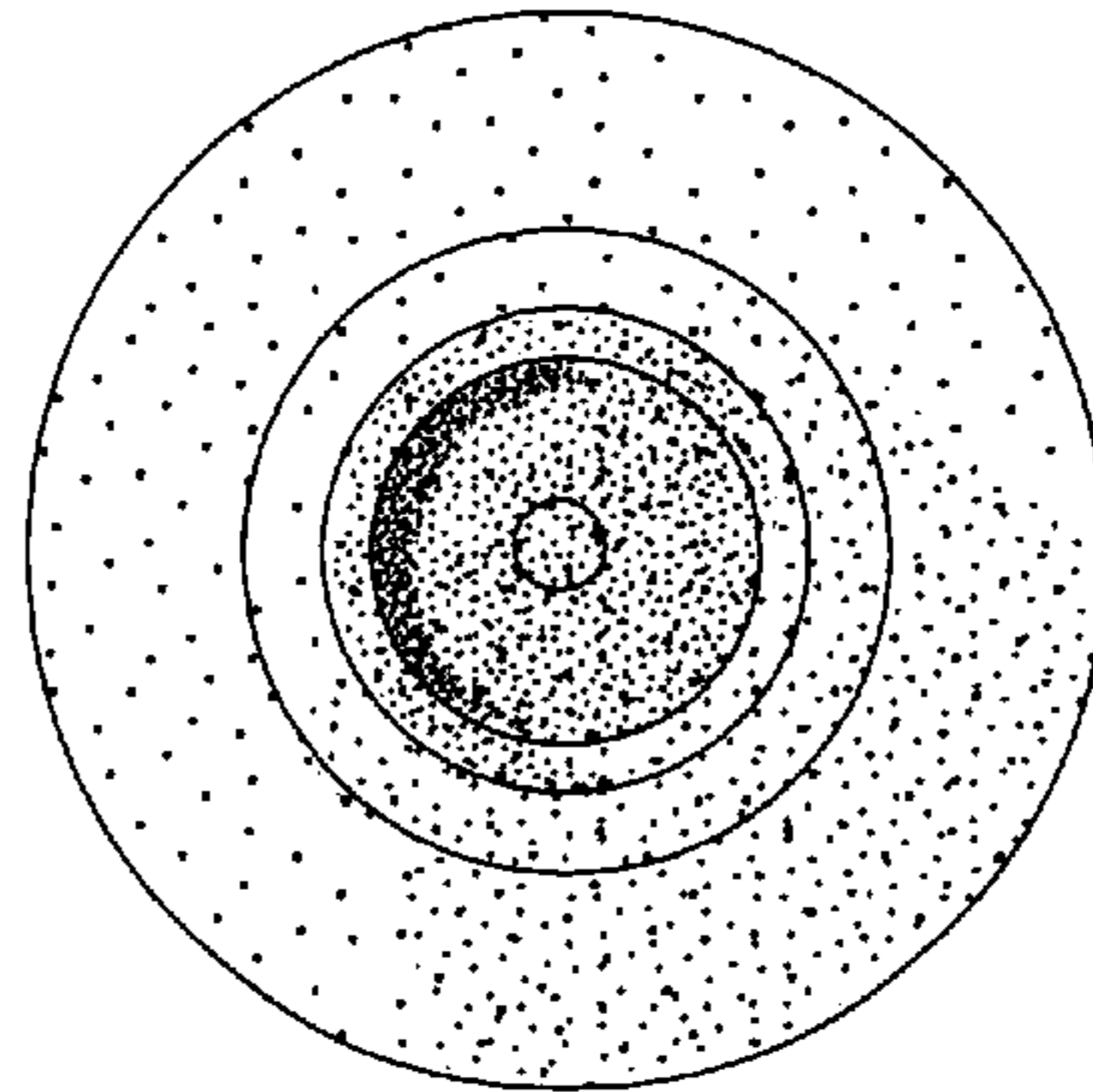


Fig. 5

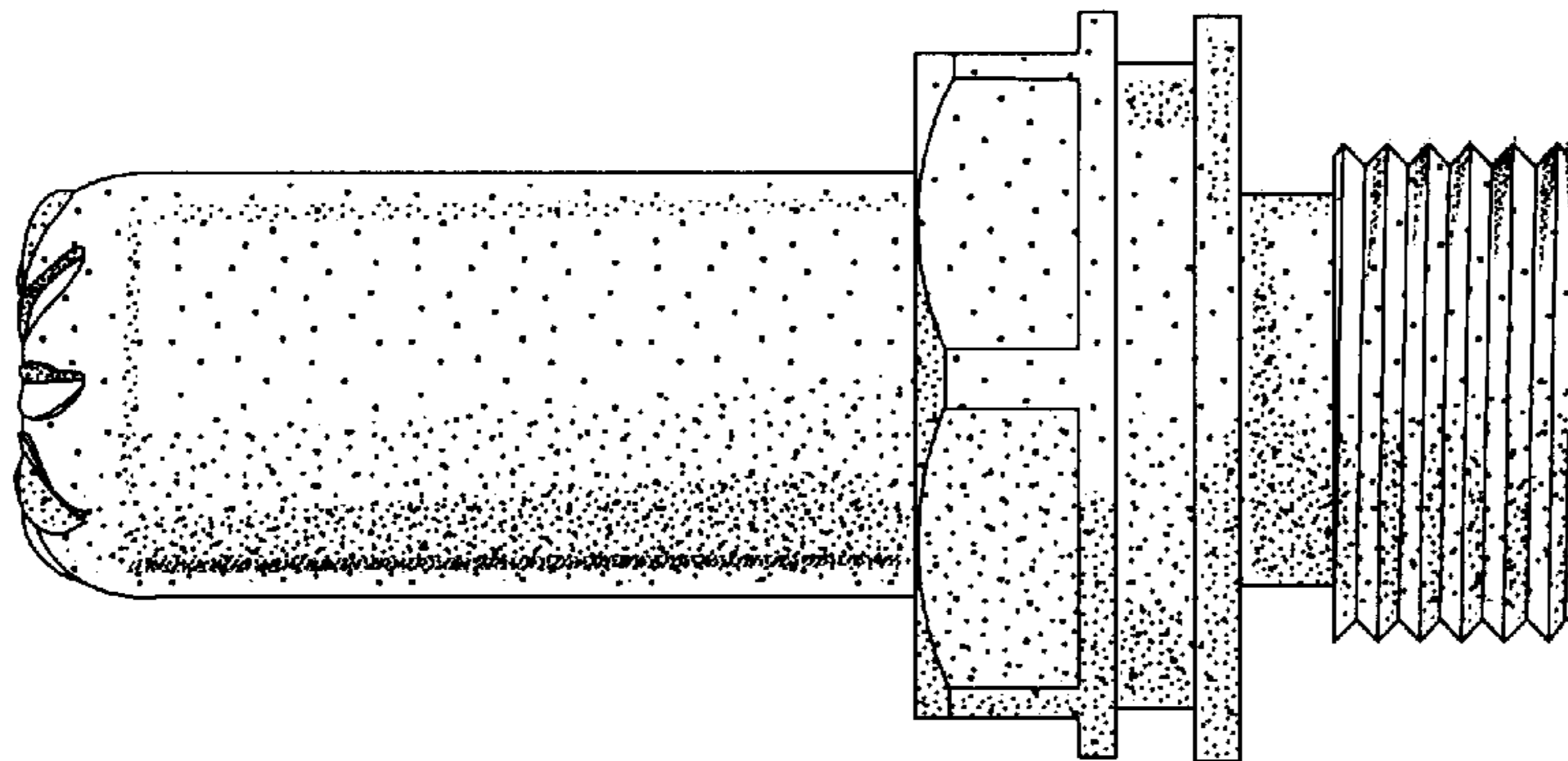


Fig. 6

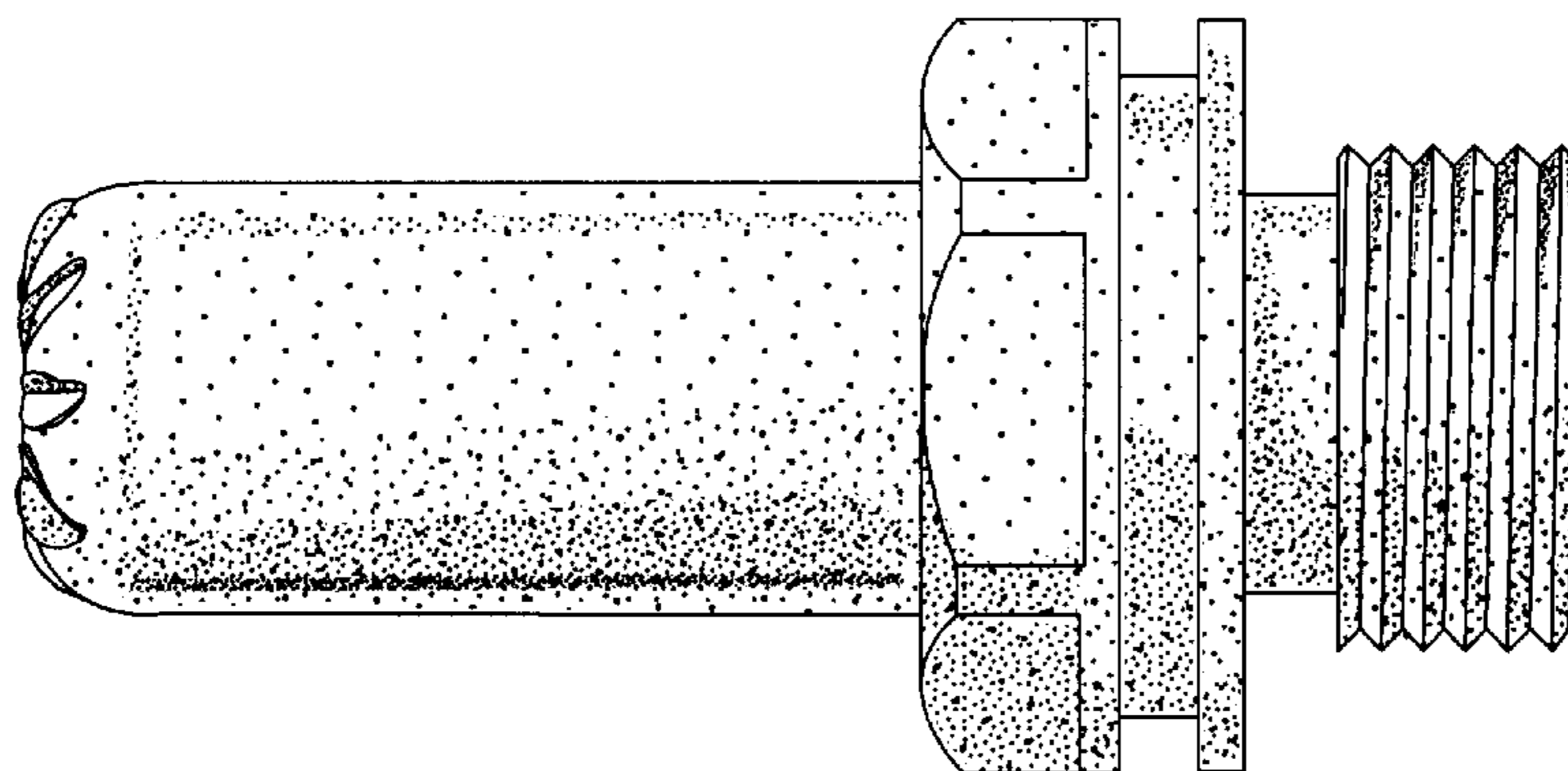


Fig. 7