



US00D522025S

(12) **United States Design Patent**
Niebauer et al.

(10) **Patent No.:** **US D522,025 S**

(45) **Date of Patent:** **** May 30, 2006**

(54) **CUTTING INSERT**

(75) Inventors: **Kenneth L. Niebauer**, Ligonier, PA (US); **Richard A. Uhal**, McKeesport, PA (US)

(73) Assignee: **Kennametal Inc.**, Latrobe, PA (US)

(**) Term: **14 Years**

(21) Appl. No.: **29/224,274**

(22) Filed: **Feb. 28, 2005**

(51) **LOC (8) Cl.** **15-09**

(52) **U.S. Cl.** **D15/139**

(58) **Field of Classification Search** D15/138,
D15/139; 407/35, 42, 112-119
See application file for complete search history.

(56) **References Cited**

U.S. PATENT DOCUMENTS

4,367,990 A * 1/1983 Porat et al. 407/114

D430,178 S * 8/2000 Hartlohner et al. D15/139
D488,176 S * 4/2004 Kasperik et al. D15/139
D503,181 S * 3/2005 Kasperik et al. D15/139

* cited by examiner

Primary Examiner—Antoine D. Davis

Assistant Examiner—Patricia Palasik

(74) *Attorney, Agent, or Firm*—Larry R. Meenan

(57) **CLAIM**

The ornamental design for a cutting insert, as shown and described.

DESCRIPTION

FIG. 1 is a perspective view of a cutting insert showing our new design;

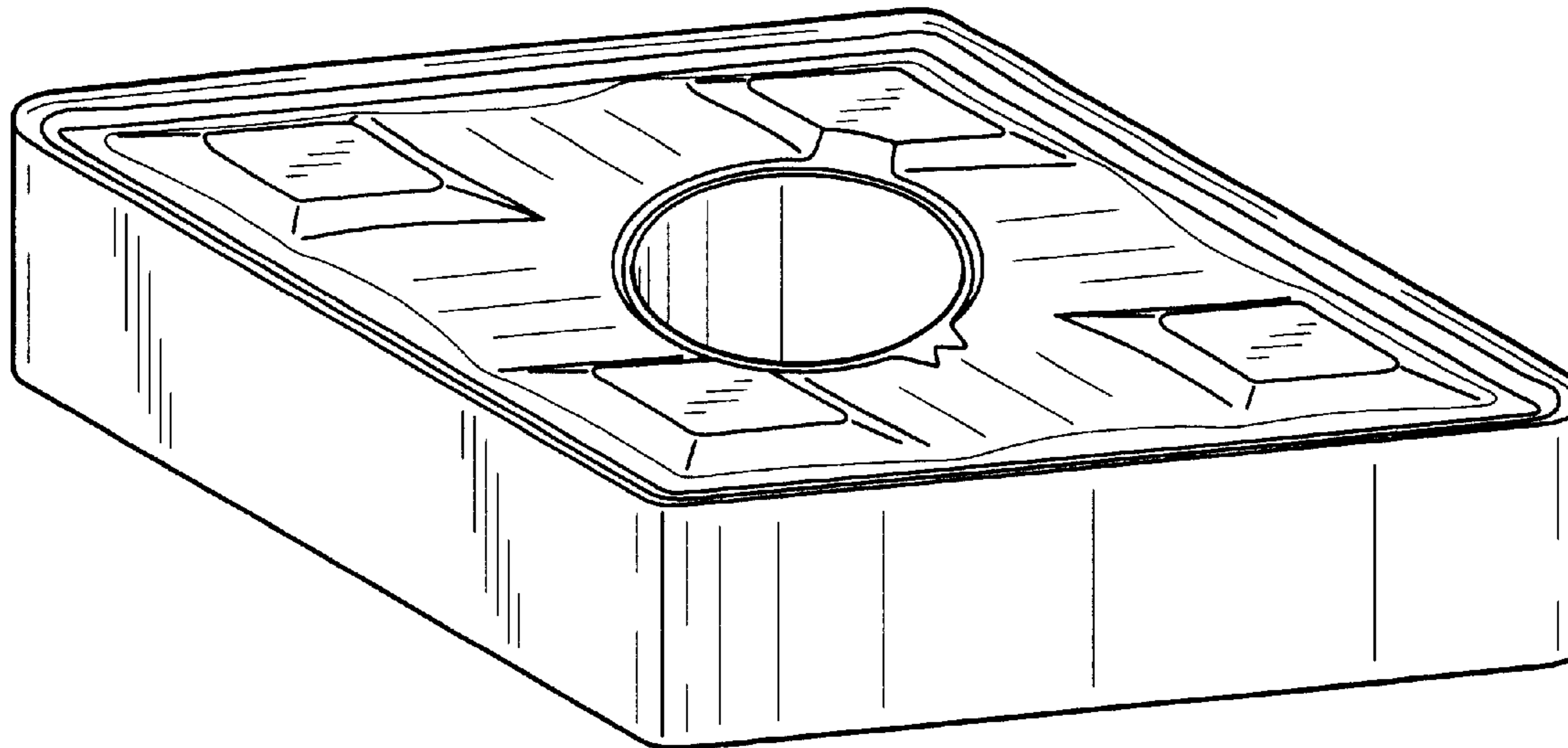
FIG. 2 is a side view of the cutting insert of FIG. 1;

FIG. 3 is another side view of the cutting insert of FIG. 1;

FIG. 4 is a top view of the cutting insert of FIG. 1; and,

FIG. 5 is a bottom view of the cutting insert of FIG. 1.

1 Claim, 3 Drawing Sheets



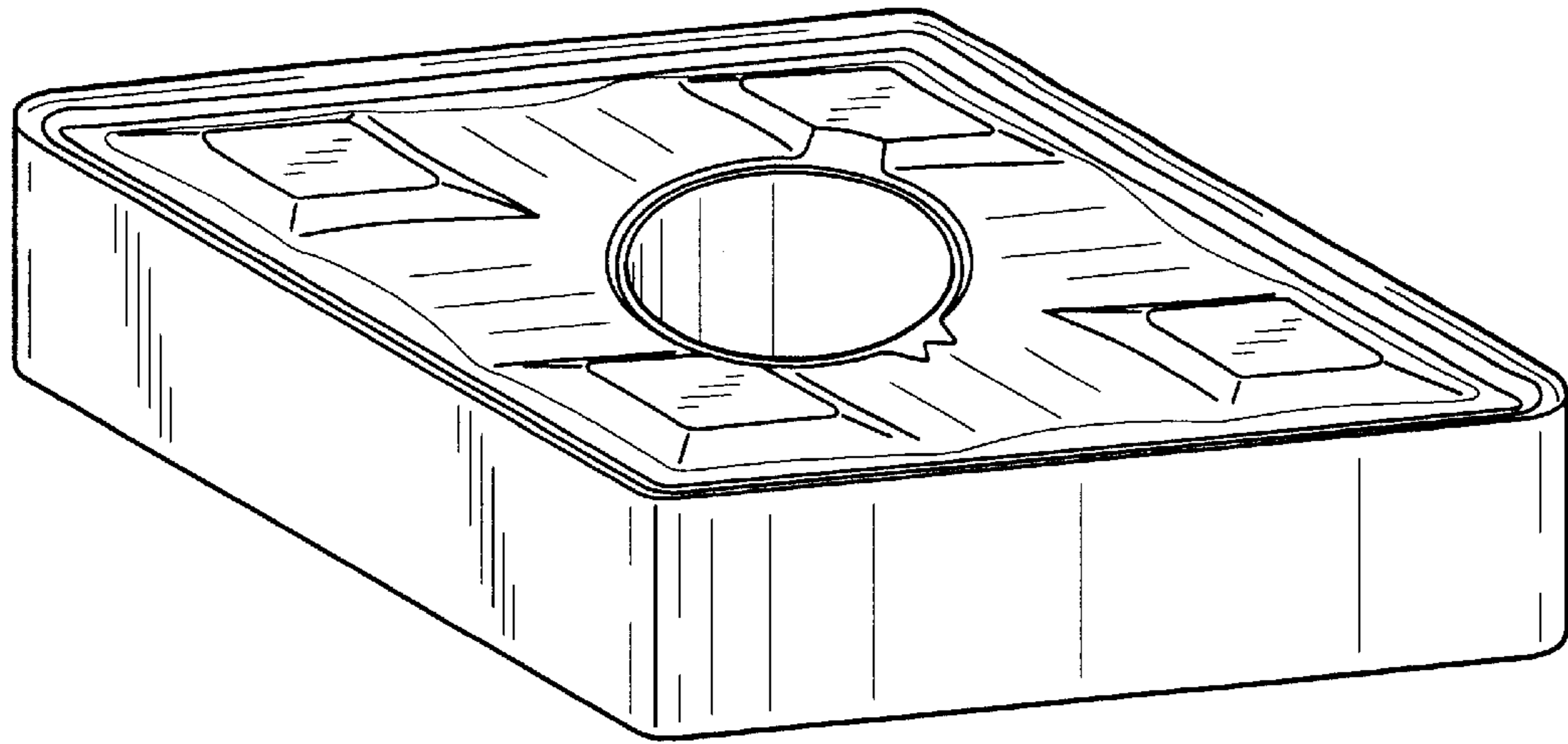


FIG. 1

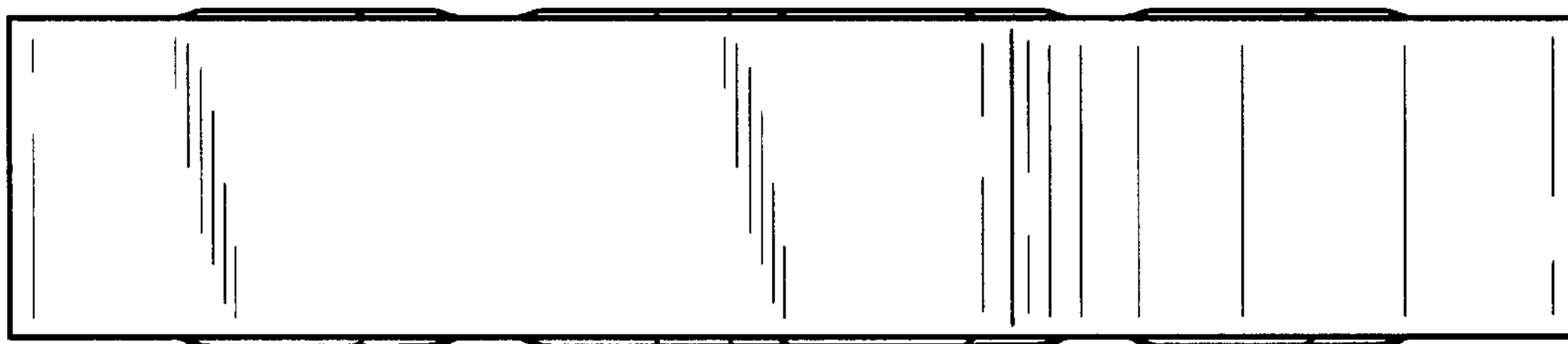


FIG. 2

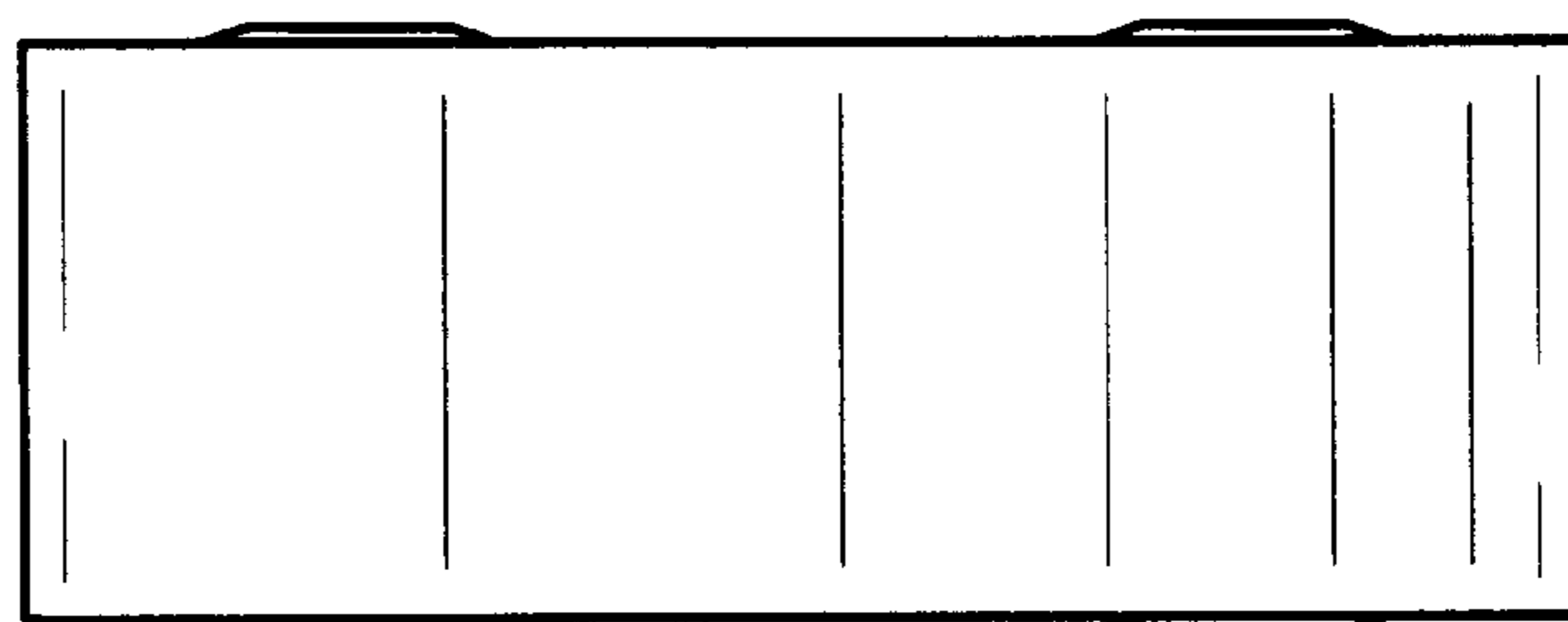


FIG. 3

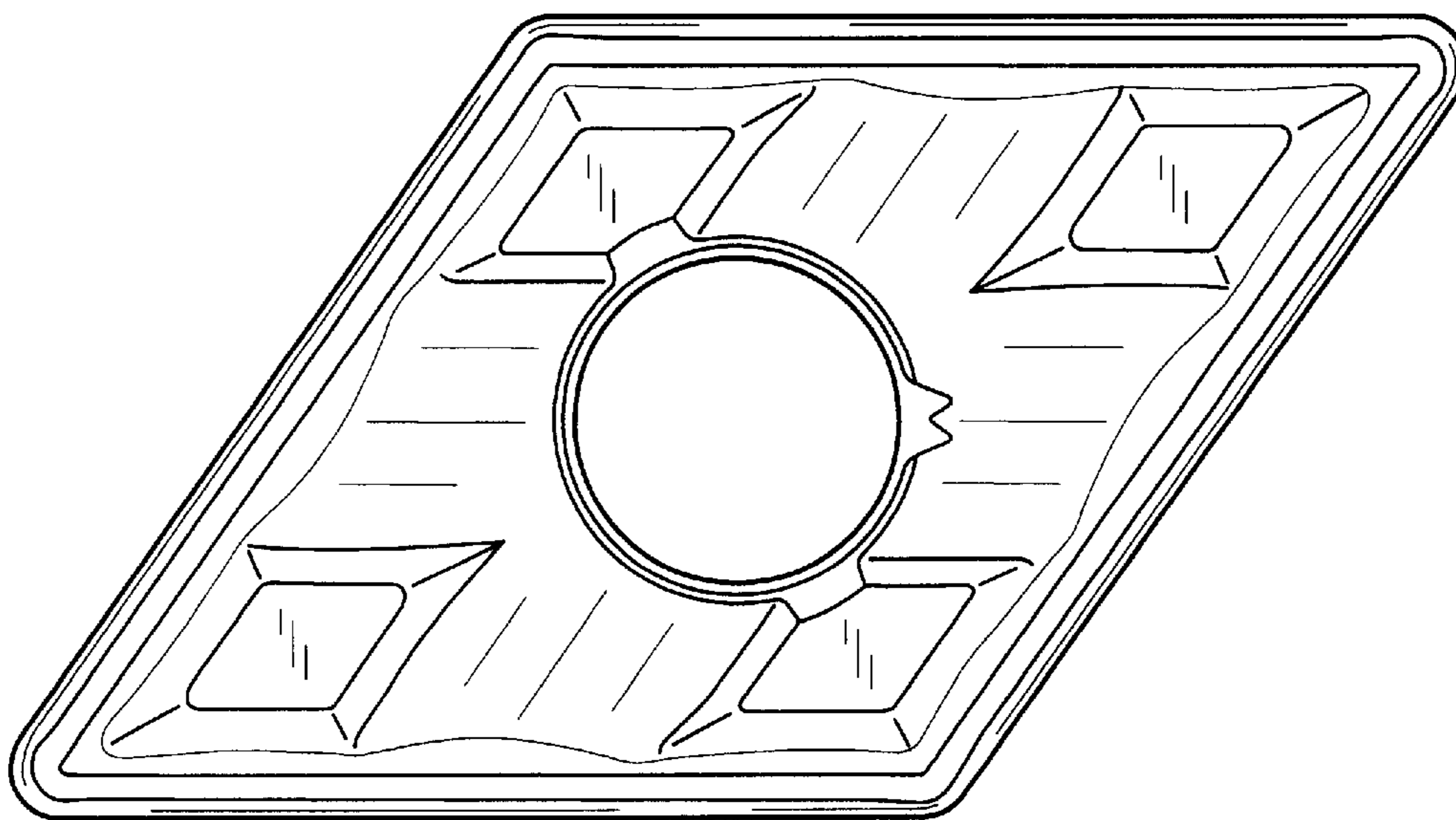


FIG. 4

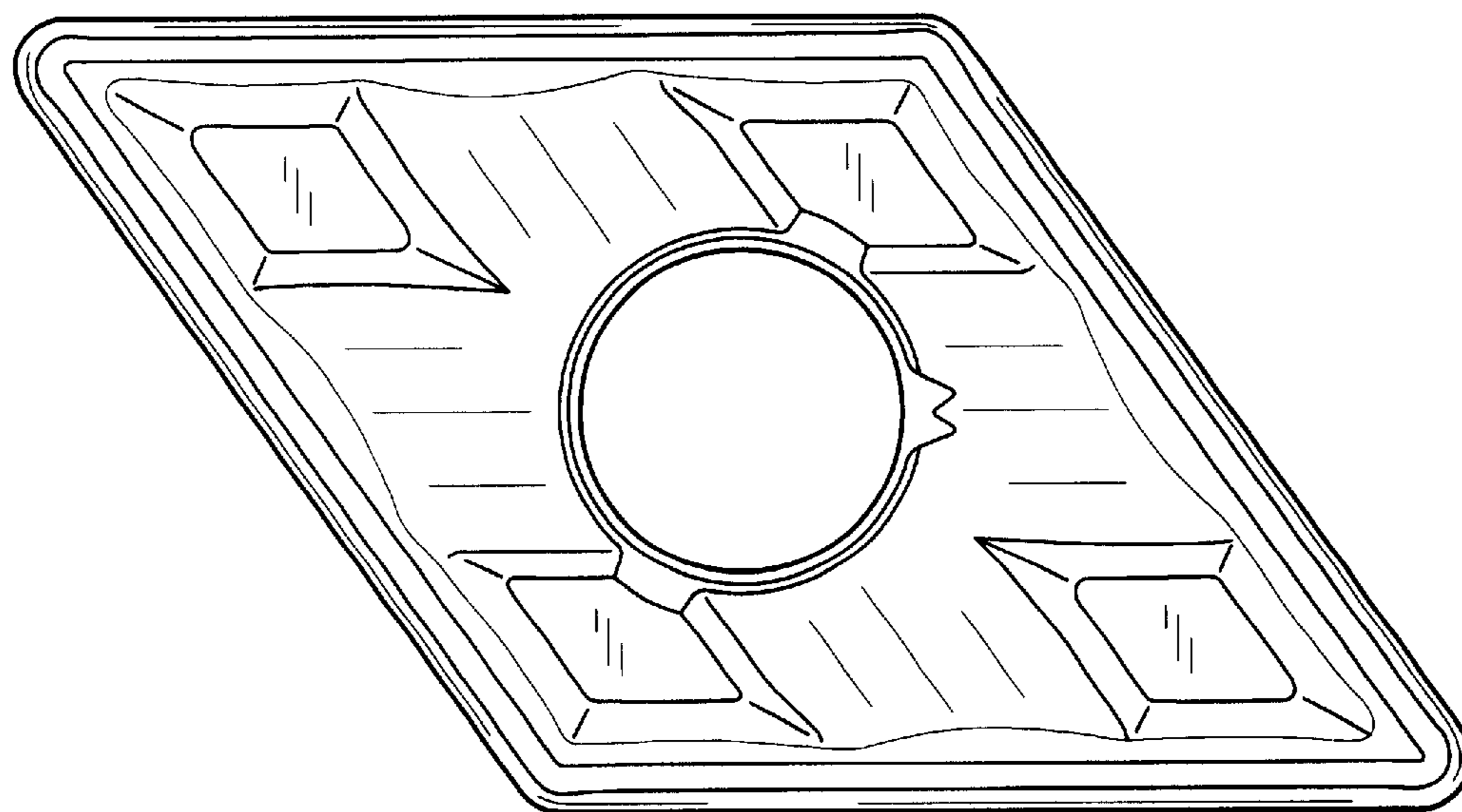


FIG. 5