



US00D522023S

(12) **United States Design Patent**  
**Debontridder**

(10) **Patent No.:** **US D522,023 S**

(45) **Date of Patent:** **\*\* May 30, 2006**

(54) **REFRIGERATOR APPLIANCE**  
(75) Inventor: **Lutgard Debontridder**, Roeselare (BE)  
(73) Assignee: **North Atlantic Patent & Investment Holding S.A.**, Luxembourg (LU)  
(\*\*) Term: **14 Years**

D452,514 S \* 12/2001 Tombs ..... D15/81  
D477,335 S \* 7/2003 Upton et al. .... D15/79  
D477,617 S \* 7/2003 Resch ..... D15/83  
D481,742 S \* 11/2003 DeBontridder ..... D15/81  
D483,045 S \* 12/2003 Resch ..... D15/83  
D496,053 S \* 9/2004 Wetzel ..... D15/79

\* cited by examiner

*Primary Examiner*—Mitchell Siegel

*Assistant Examiner*—Shanda C. Hill

(74) *Attorney, Agent, or Firm*—Kirschstein, et al.

(21) Appl. No.: **29/235,530**  
(22) Filed: **Aug. 3, 2005**

(51) **LOC (8) Cl.** ..... **15-07**  
(52) **U.S. Cl.** ..... **D15/81**  
(58) **Field of Classification Search** ..... D15/79–83;  
D6/329, 396, 397, 449, 470–474; 62/3.1,  
62/246–258, 261, 262, 297, 440, 467, 531;  
312/3, 114–119, 122, 236, 352, 400–401  
See application file for complete search history.

(57) **CLAIM**

The ornamental design for a refrigerator appliance, as shown and described.

**DESCRIPTION**

FIG. 1 is a top, front, left side perspective view of a refrigerator showing my new design;  
FIG. 2 is a top plan view thereof;  
FIG. 3 is a front elevational view thereof;  
FIG. 4 is a left side elevational view thereof;  
FIG. 5 is a right side elevational view thereof;  
FIG. 6 is a rear elevational view thereof; and,  
FIG. 7 is a bottom plan view thereof.

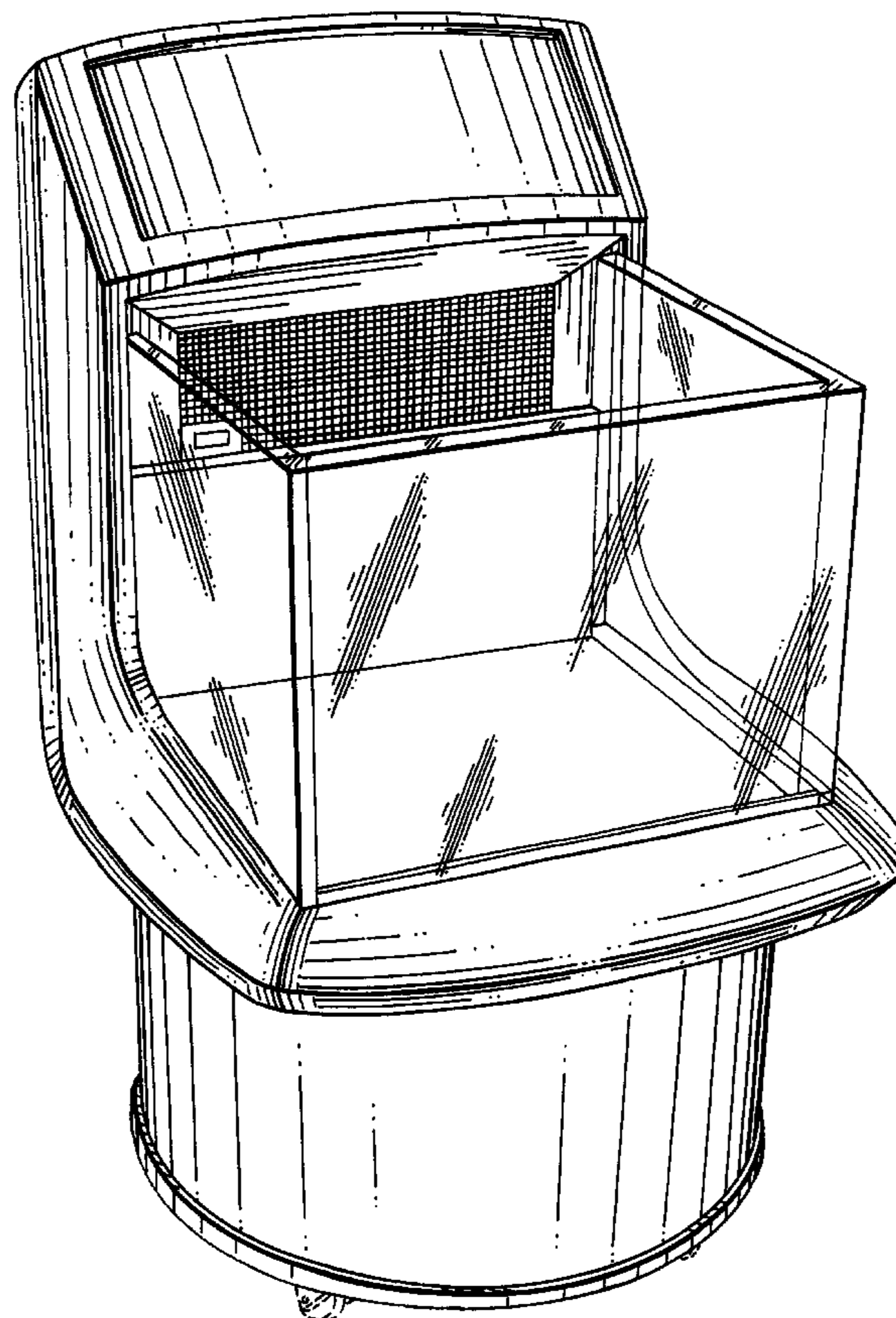
The broken lines shown in the drawing disclosure are for illustrative purposes only and form no part of the claimed design.

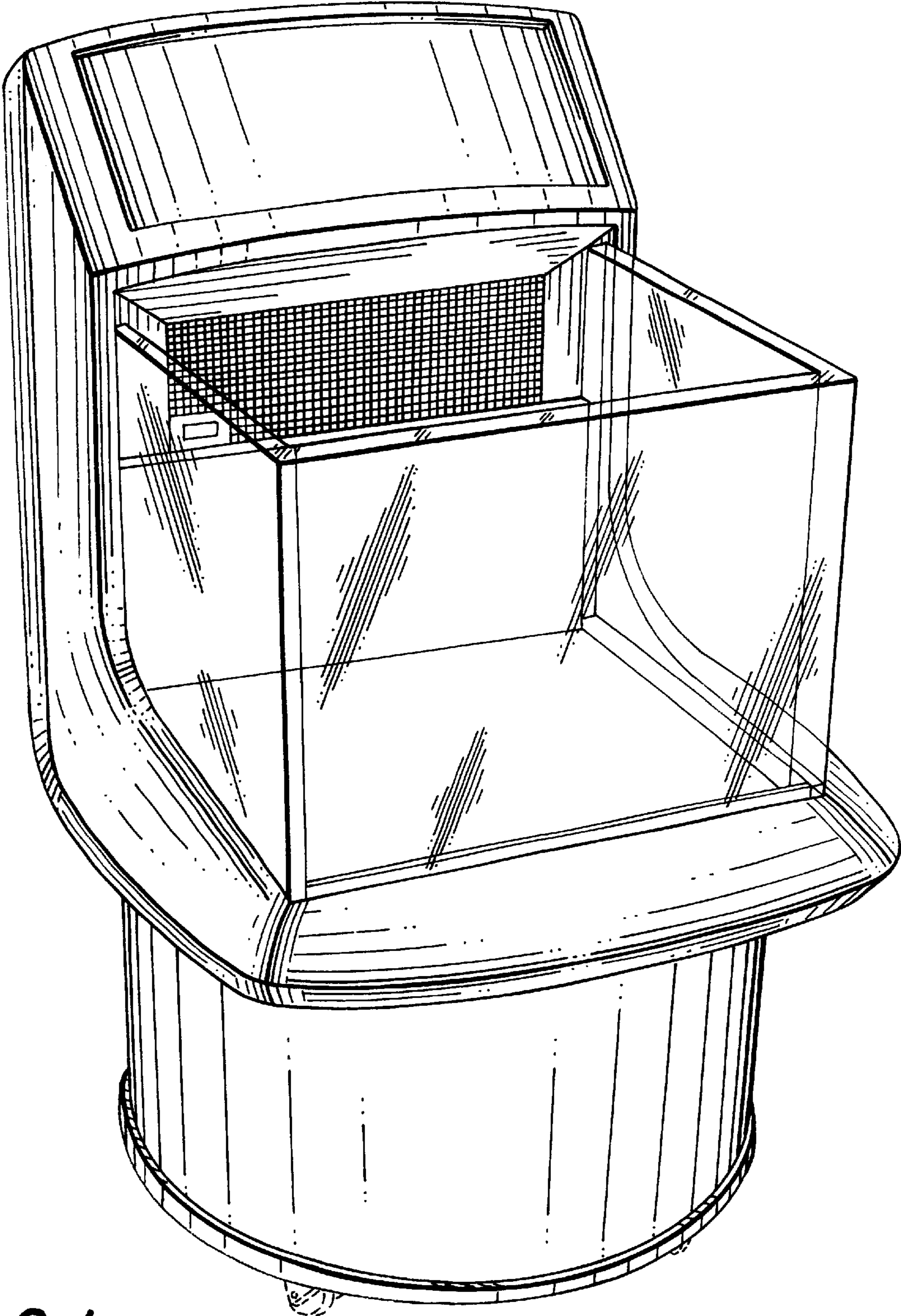
(56) **References Cited**

U.S. PATENT DOCUMENTS

D209,722 S \* 12/1967 Mangini ..... D6/471  
D392,295 S \* 3/1998 Johnson ..... D15/81  
D398,791 S \* 9/1998 Brancheau et al. .... D6/470  
D427,210 S \* 6/2000 Tsukida ..... D15/83  
D432,550 S \* 10/2000 Jobst ..... D15/83  
D438,879 S \* 3/2001 Tombs ..... D15/81  
D440,432 S \* 4/2001 Topper et al. .... D6/471

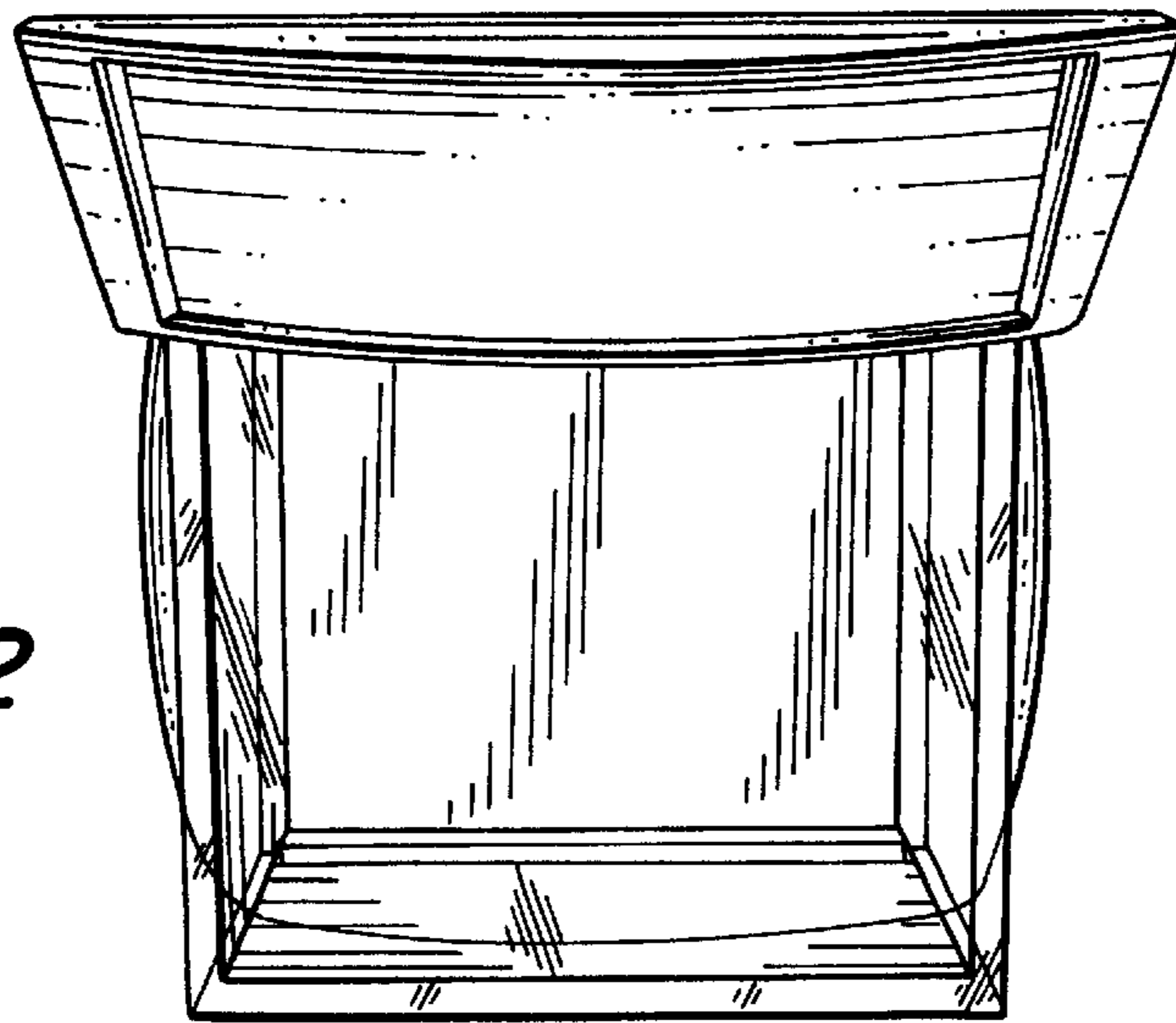
**1 Claim, 4 Drawing Sheets**



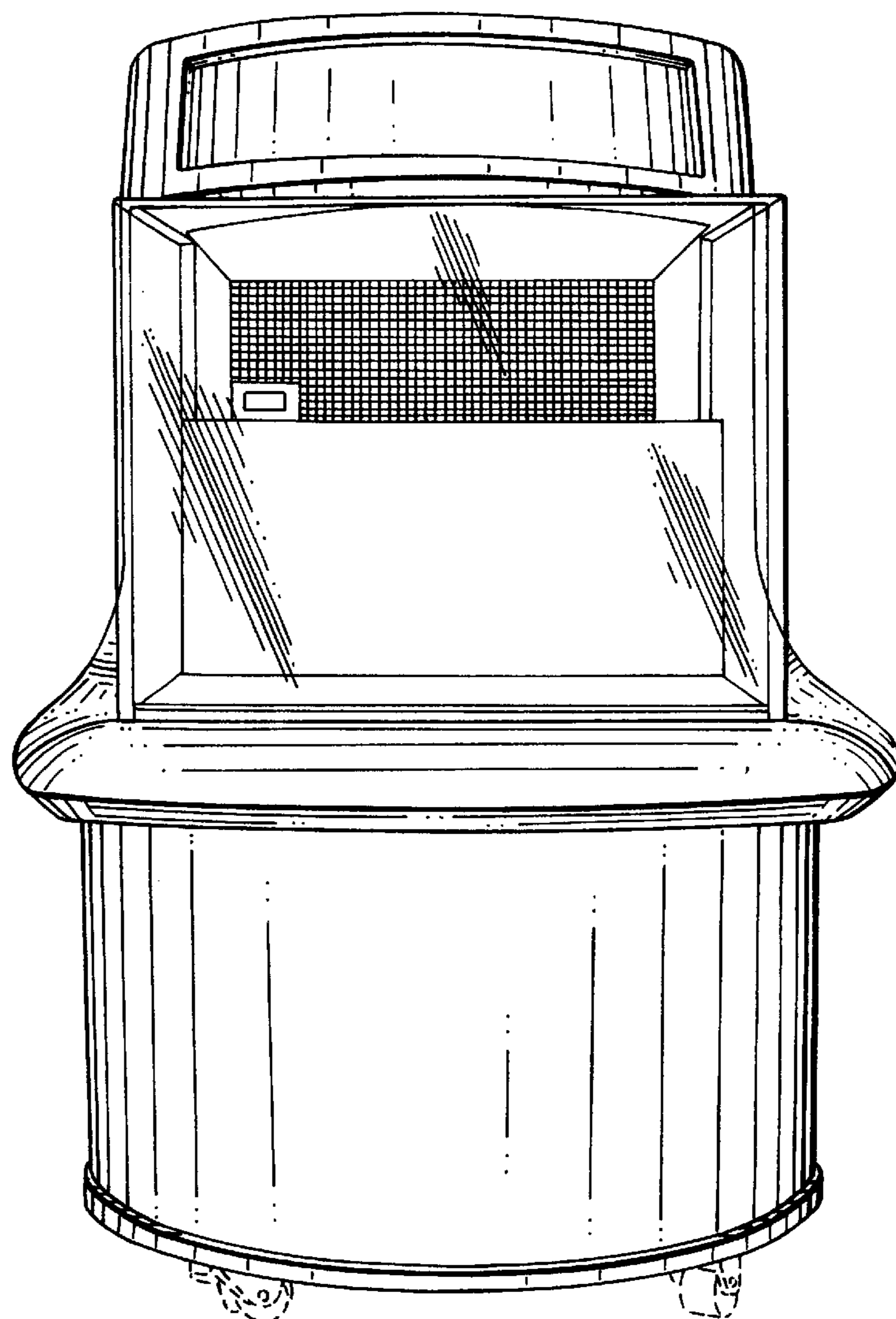


*FIG. 1*

*FIG. 2*



*FIG. 3*



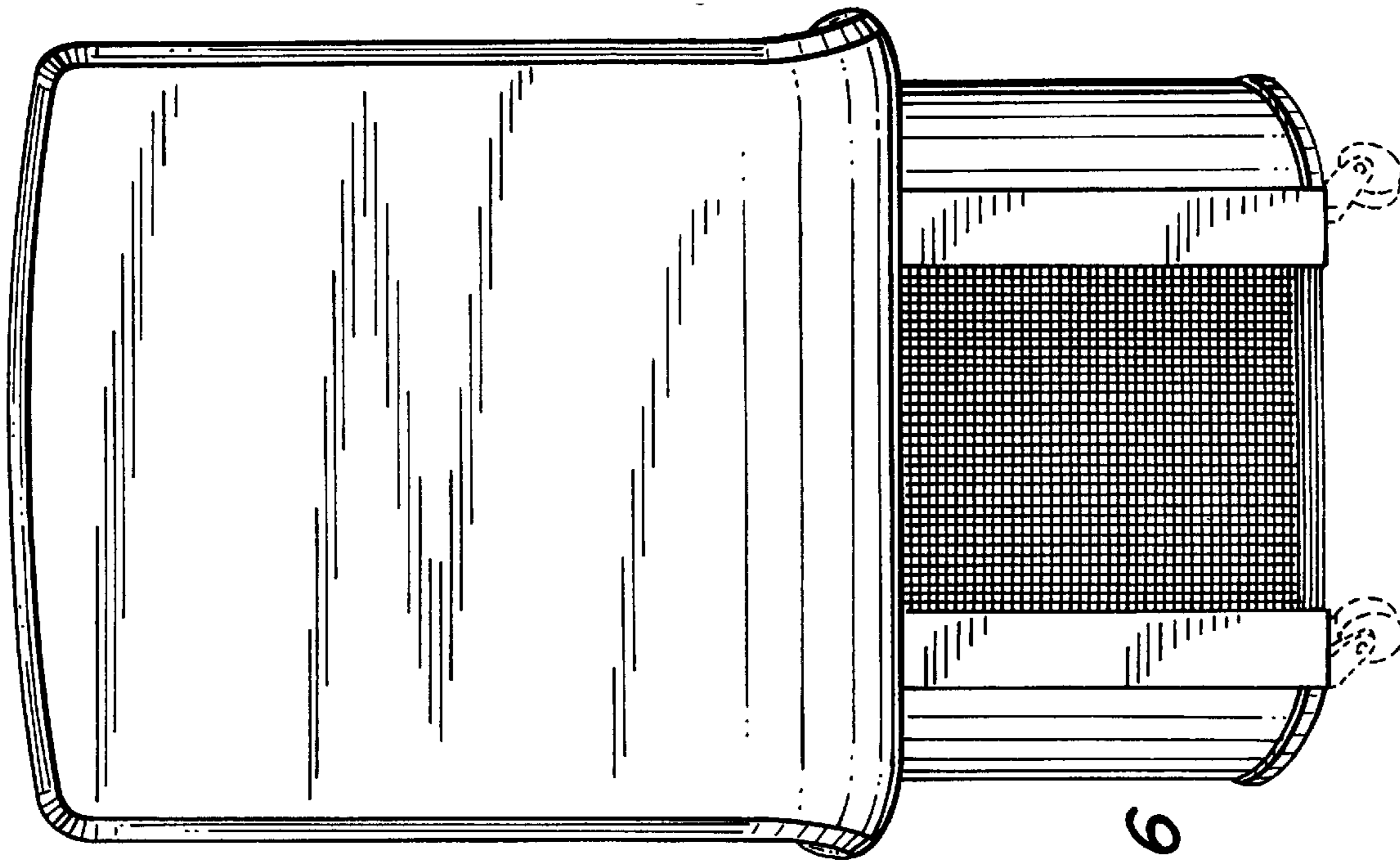


FIG. 6

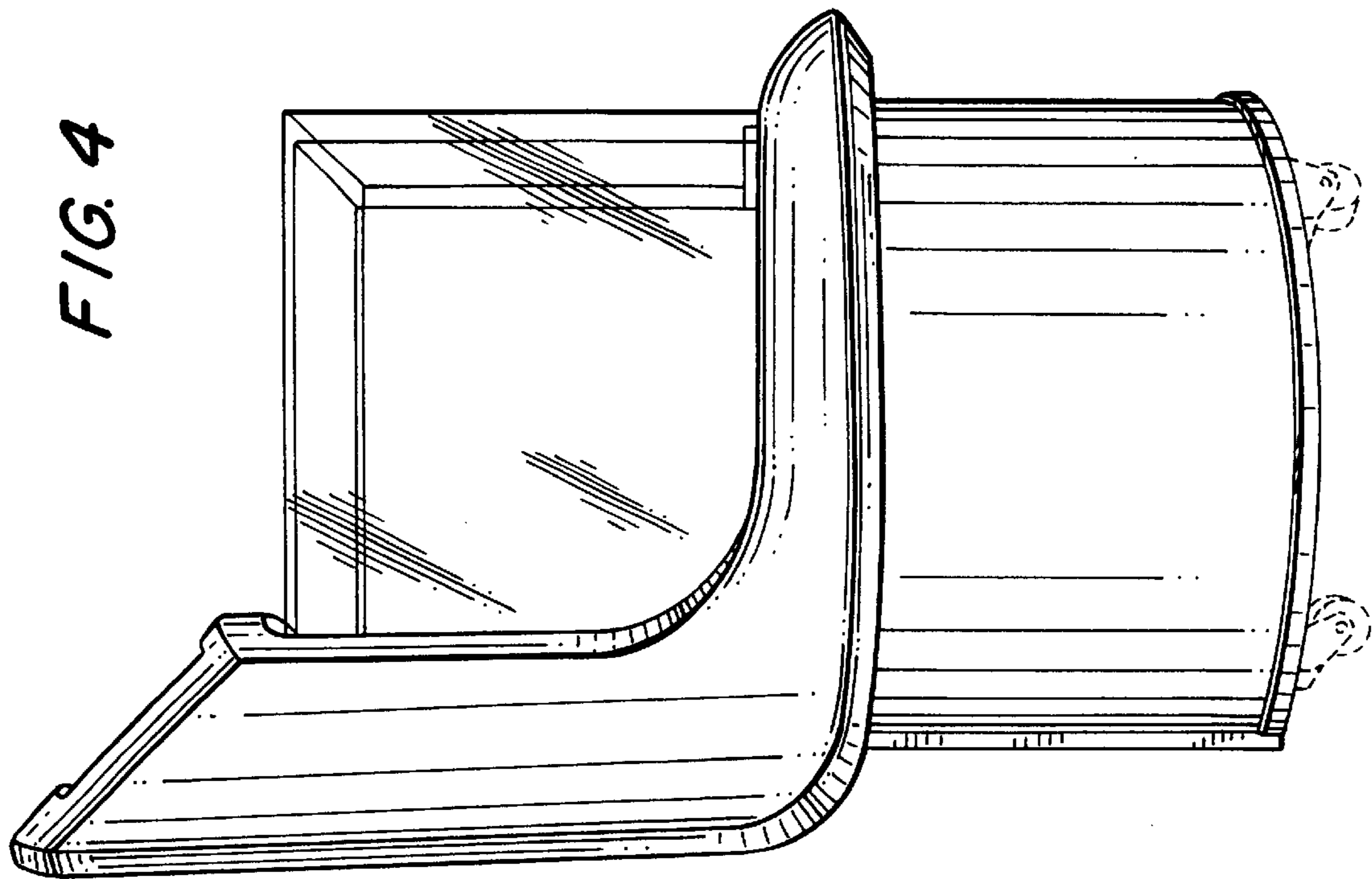


FIG. 4

FIG. 7

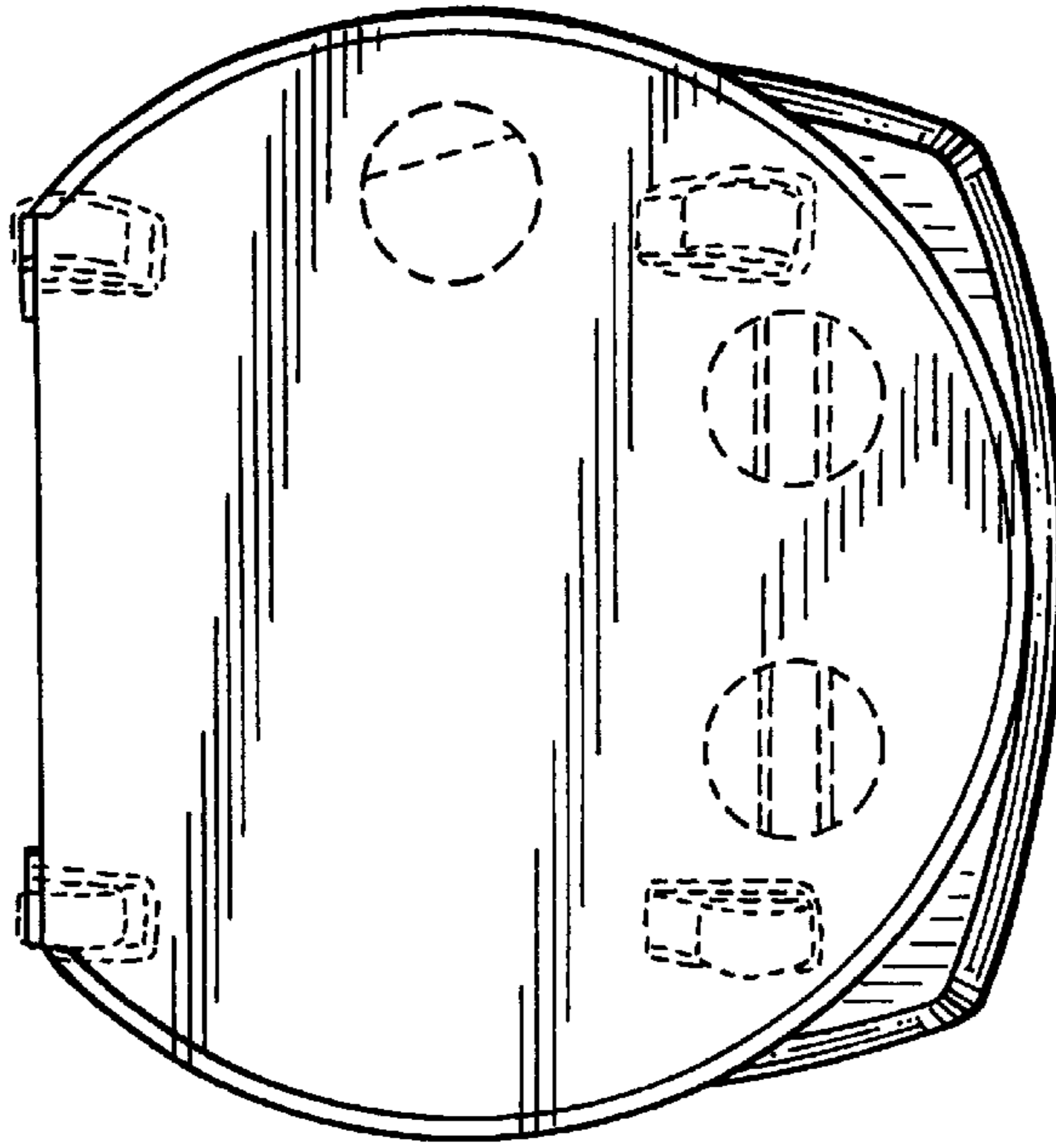


FIG. 5

