

US00D522021S

(12) **United States Design Patent** (10) **Patent No.:** **US D522,021 S**
Miyazaki et al. (45) **Date of Patent:** **** May 30, 2006**

(54) **PORTION OF AN INTERNAL COMBUSTION ENGINE**

(75) Inventors: **Manabu Miyazaki**, Osaka (JP);
Junichi Samo, Osaka (JP); **Masashi Sagara**, Osaka (JP)

(73) Assignee: **Yanmar Co., Ltd.**, Osaka (JP)

(**) Term: **14 Years**

(21) Appl. No.: **29/213,917**

(22) Filed: **Sep. 27, 2004**

Related U.S. Application Data

(63) Continuation of application No. 29/202,905, filed on Apr. 7, 2004.

(30) **Foreign Application Priority Data**

Oct. 27, 2003 (JP) 2003-31623

(51) **LOC (8) Cl.** **15-01**

(52) **U.S. Cl.** **D15/3**

(58) **Field of Classification Search** D15/1,
D15/3, 5; 123/195.3, 198 E, 41, 50, 50 B,
123/50 R, 65 R, 70 R; 73/116; 340/441
See application file for complete search history.

(56) **References Cited**

U.S. PATENT DOCUMENTS

- D46,875 S * 1/1915 Neeley et al. D26/84
- D293,114 S * 12/1987 Brogdon D15/1
- D294,832 S * 3/1988 Itou et al. D15/1
- D307,147 S * 4/1990 Sasaki et al. D15/1
- D307,148 S * 4/1990 Mikado D15/1
- D353,381 S * 12/1994 Yoshida et al. D15/1

- D367,070 S * 2/1996 Maeda et al. D15/1
- D396,045 S * 7/1998 Neeley D15/1
- D396,476 S * 7/1998 Shimizu D15/1
- D397,342 S * 8/1998 Shimizu D15/5
- D474,783 S * 5/2003 Momoi D15/1
- D488,167 S * 4/2004 Momoi D15/1
- D497,368 S * 10/2004 Csiki D15/5

OTHER PUBLICATIONS

U.S. Appl. No. 29/202,905, filed Apr. 7, 2004, Miyazaki et al.

U.S. Appl. No. 29/212,736, filed Sep. 8, 2004, Shiota et al.

* cited by examiner

Primary Examiner—Joel A. Sincavage

Assistant Examiner—Maurice Stevens

(74) *Attorney, Agent, or Firm*—Sterne, Kessler, Goldstein & Fox P.L.L.C.

(57) **CLAIM**

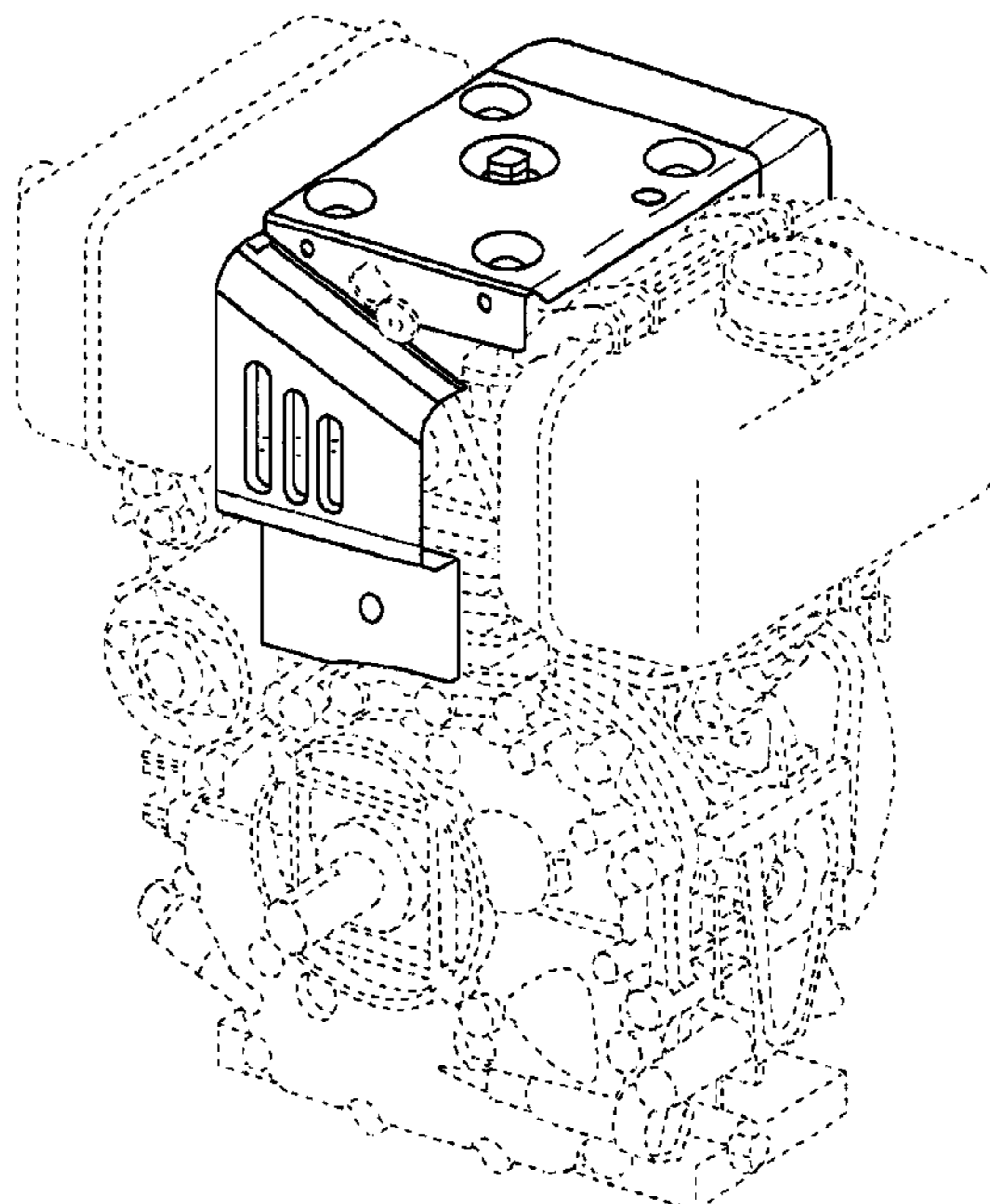
The ornamental design for a portion of an internal combustion engine, as shown and described.

DESCRIPTION

FIG. 1 is a front perspective view of a portion of an internal combustion engine showing our new design; FIG. 2 is a rear perspective view thereof; FIG. 3 is a front view thereof; FIG. 4 is a rear view thereof; FIG. 5 is a plan view thereof; FIG. 6 is a bottom view thereof; FIG. 7 is a left side view thereof; and, FIG. 8 is a right side view thereof.

The broken lines in FIGS. 1–8 illustrate portions of the engine that form no part of the claimed design.

1 Claim, 8 Drawing Sheets



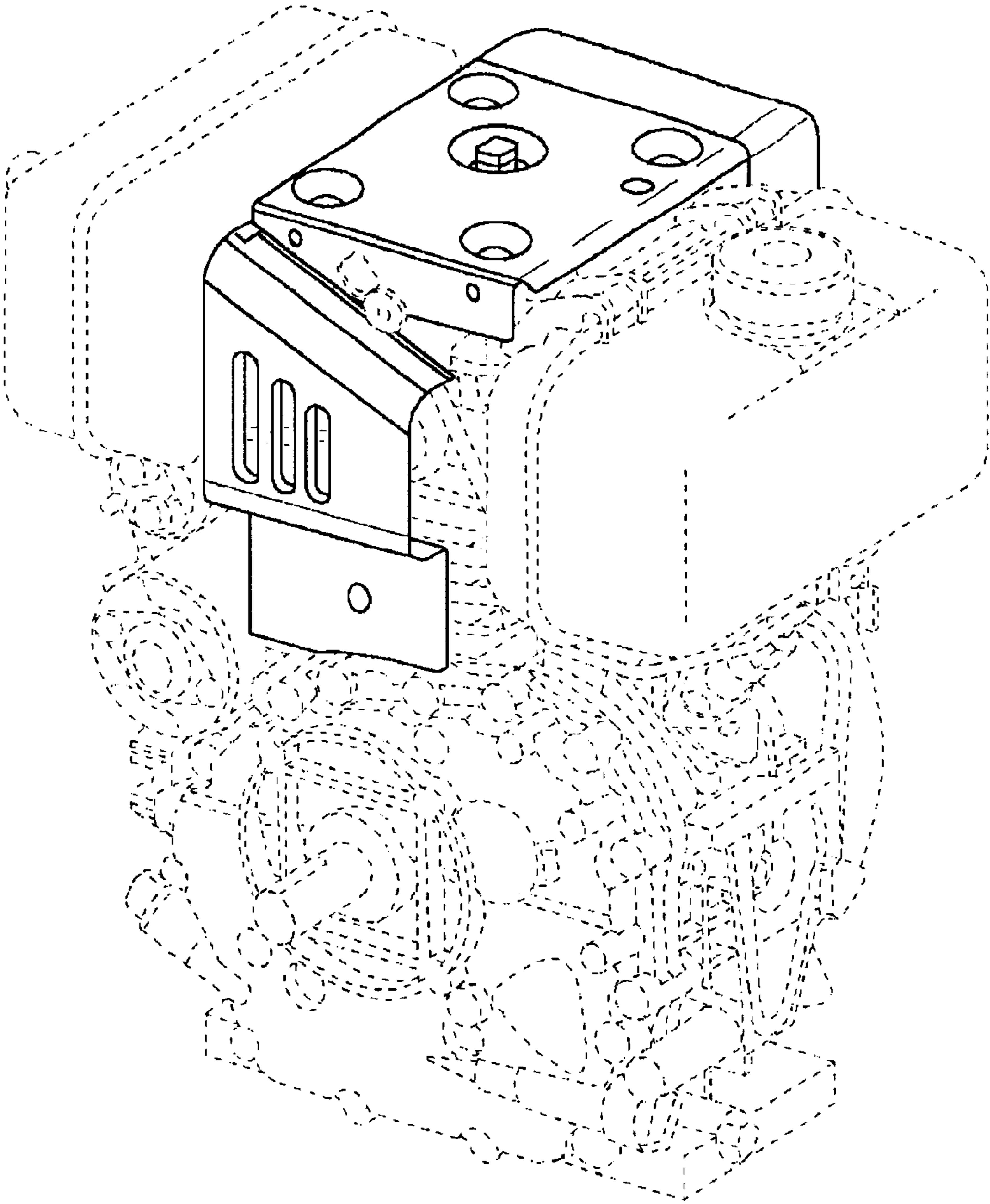


FIG. 1

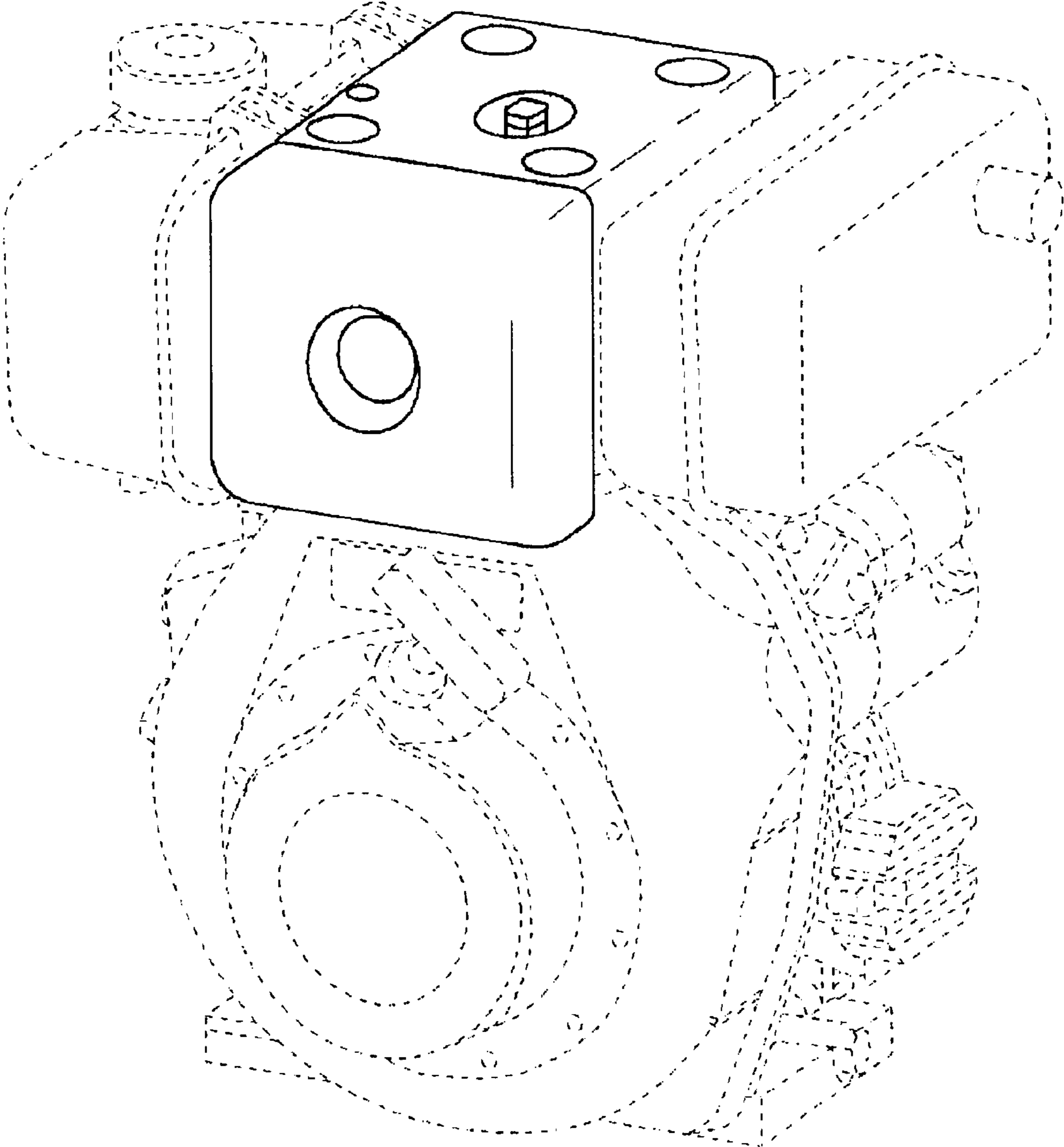


FIG. 2

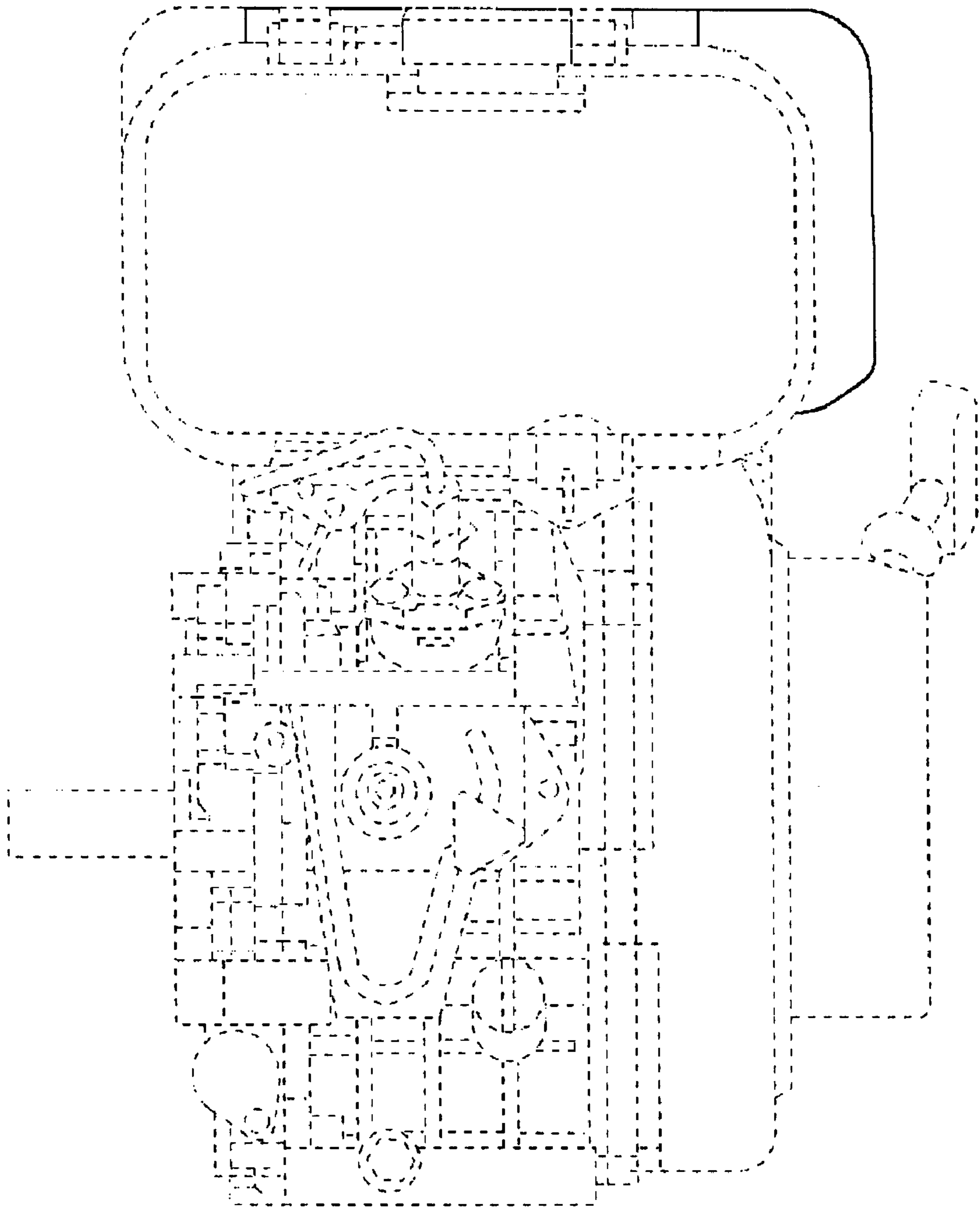


FIG. 3

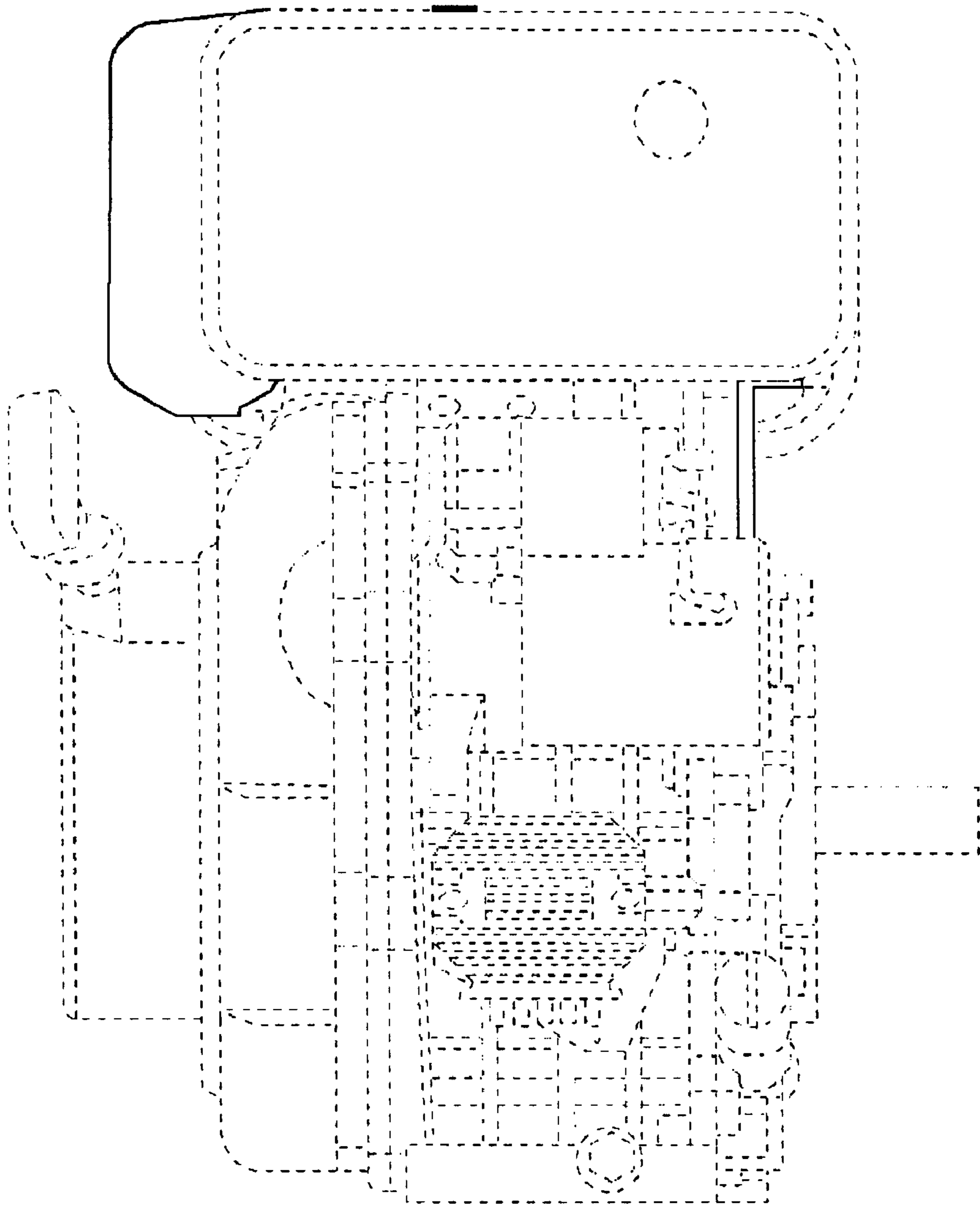


FIG. 4

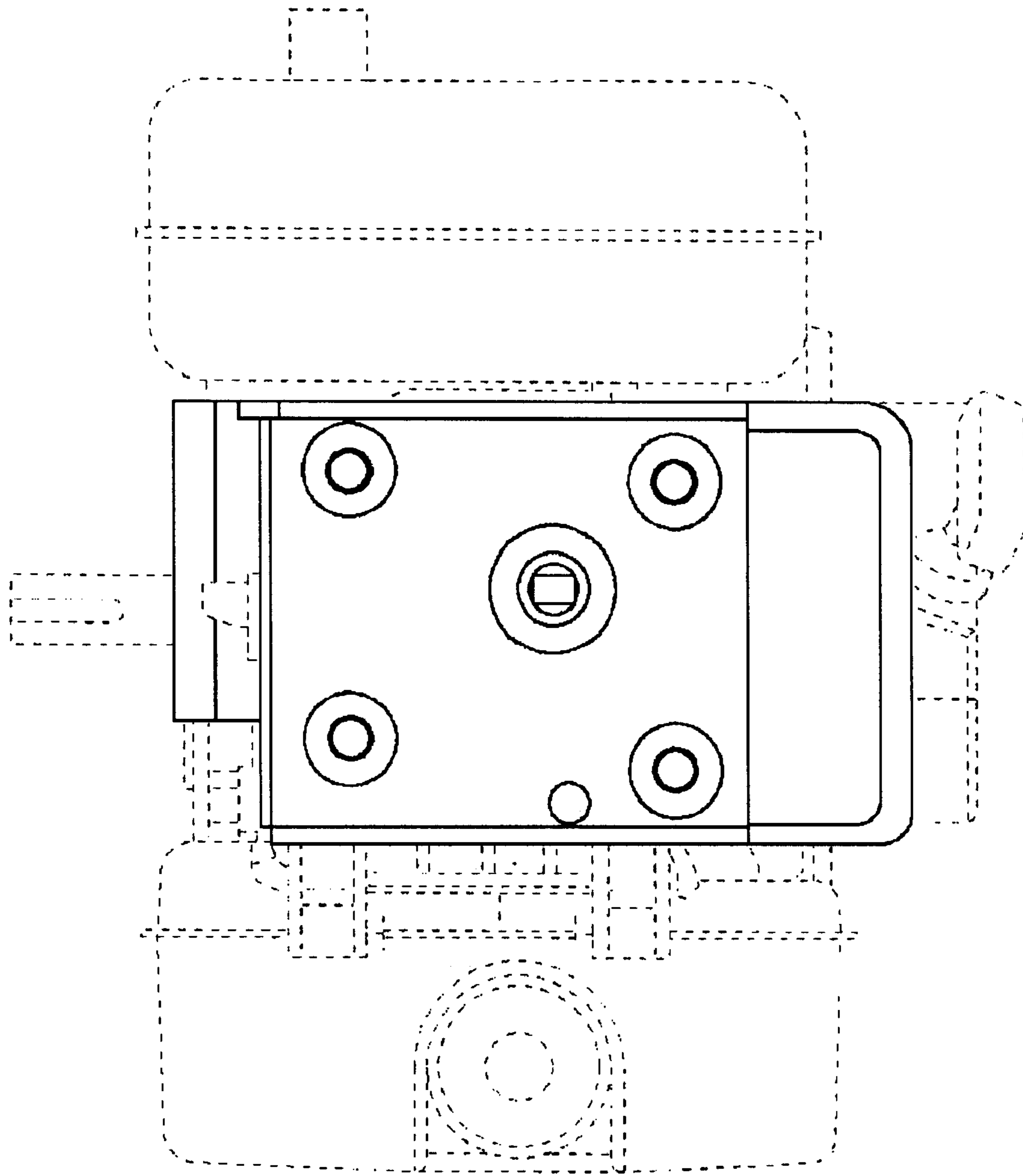


FIG. 5

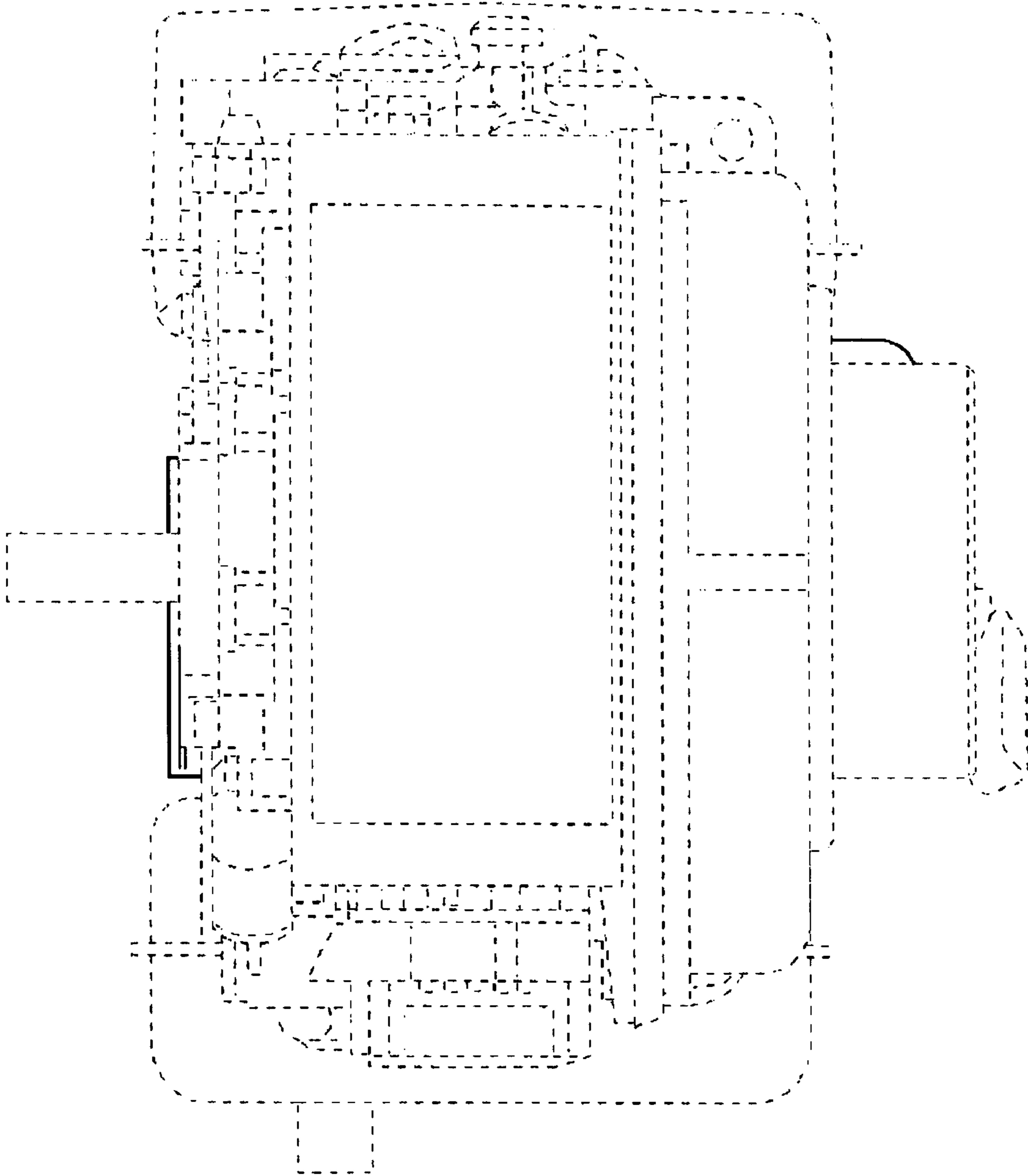


FIG. 6

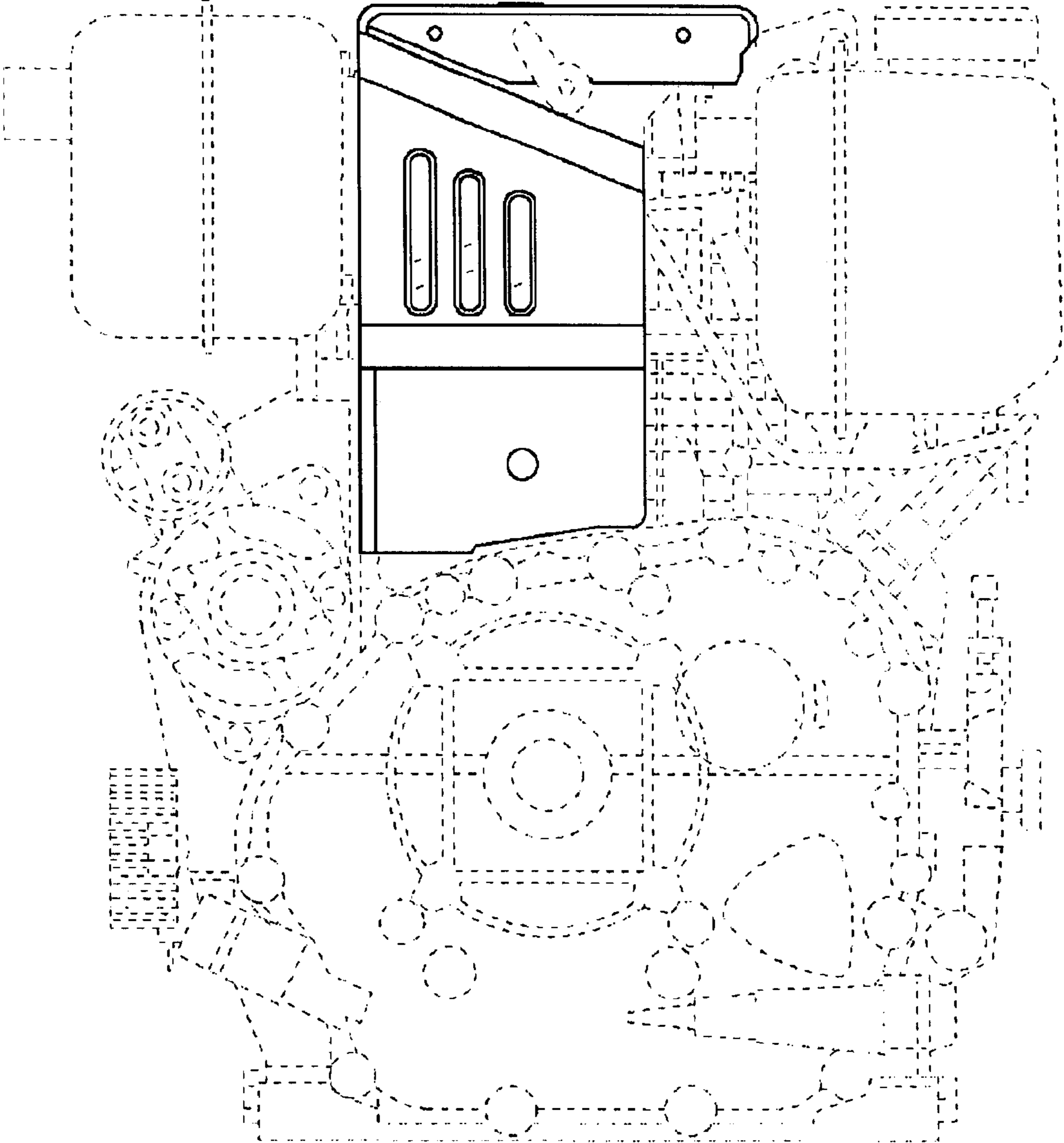


FIG. 7

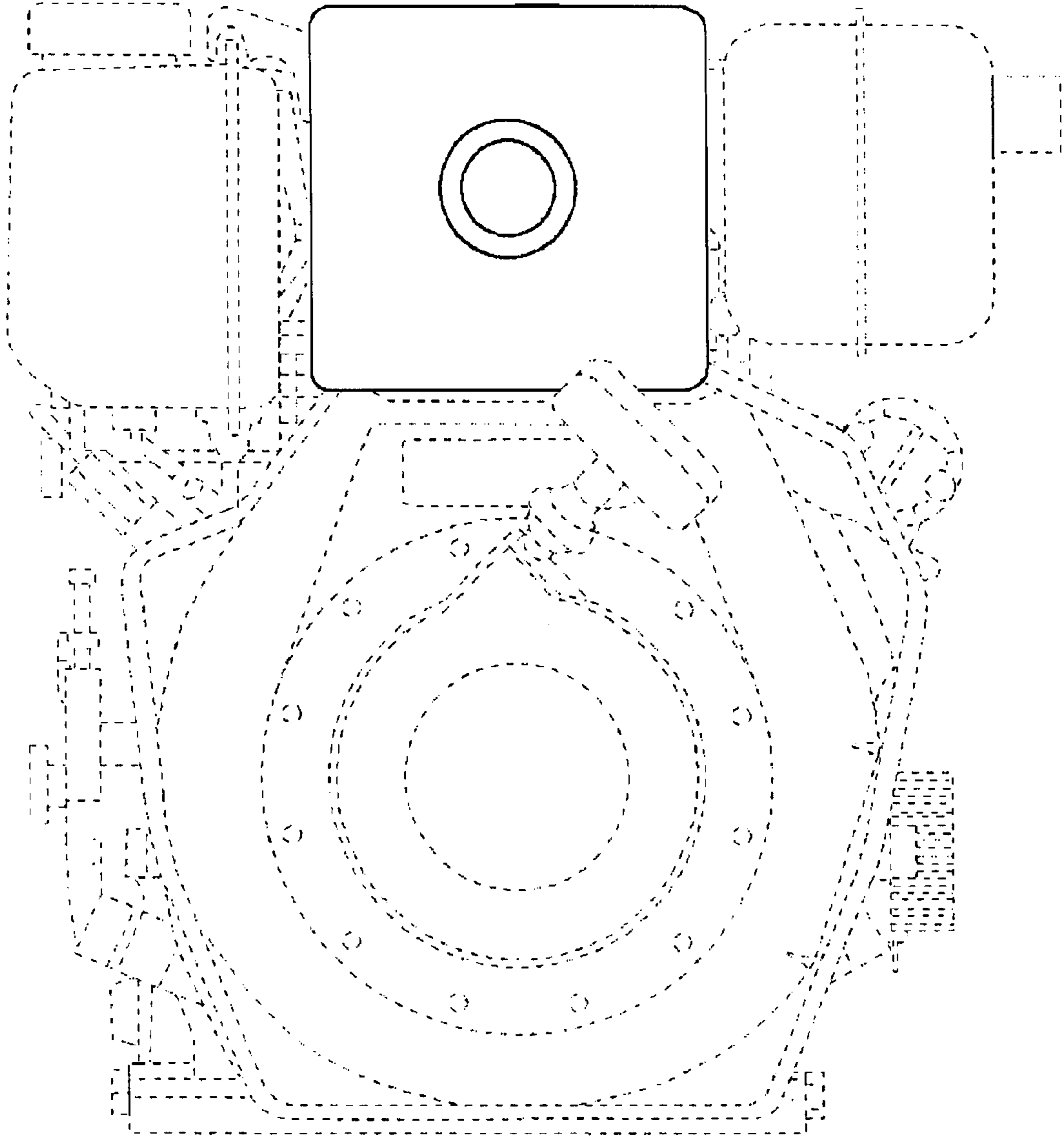


FIG. 8