



US00D522020S

(12) **United States Design Patent**
Suckle et al.

(10) **Patent No.:** **US D522,020 S**

(45) **Date of Patent:** **** May 30, 2006**

(54) **VIDEO ENHANCER**

(75) Inventors: **Mitchell Suckle**, Long Beach, CA
(US); **William Tan**, Los Angeles, CA
(US); **David Goetz**, Los Angeles, CA
(US)

(73) Assignee: **Belkin Corporation**, Compton, CA
(US)

(**) Term: **14 Years**

(21) Appl. No.: **29/220,748**

(22) Filed: **Jan. 4, 2005**

(51) **LOC (8) Cl.** **14-03**

(52) **U.S. Cl.** **D14/496**

(58) **Field of Classification Search** D14/496,
D14/125, 126, 160, 168, 217, 239, 299; 455/344-347,
455/3.06; 348/14.01, 739, 14.04; 345/902,
345/903; 369/1-5, 83; 273/148 B; 463/1,
463/43-47; D13/101, 123, 133, 184
See application file for complete search history.

(56) **References Cited**

U.S. PATENT DOCUMENTS

4,976,435 A * 12/1990 Shatford et al. 463/36
5,259,626 A * 11/1993 Ho 463/37
5,372,225 A * 12/1994 Joynes et al. 191/12.2 R
5,964,661 A * 10/1999 Dodge 463/24

6,151,490 A * 11/2000 Schultheiss 455/403
D436,919 S * 1/2001 Wakefield et al. D13/110
D466,130 S * 11/2002 Hussaini et al. D14/496
D467,592 S * 12/2002 Hussaini et al. D14/496
D483,281 S * 12/2003 Cobigo D10/104
D490,070 S * 5/2004 Lee D14/188
D491,161 S * 6/2004 Tang D14/188
D510,584 S * 10/2005 Tierney D14/496

* cited by examiner

Primary Examiner—Prabhakar Deshmukh

(74) *Attorney, Agent, or Firm*—Bryan Cave LLP

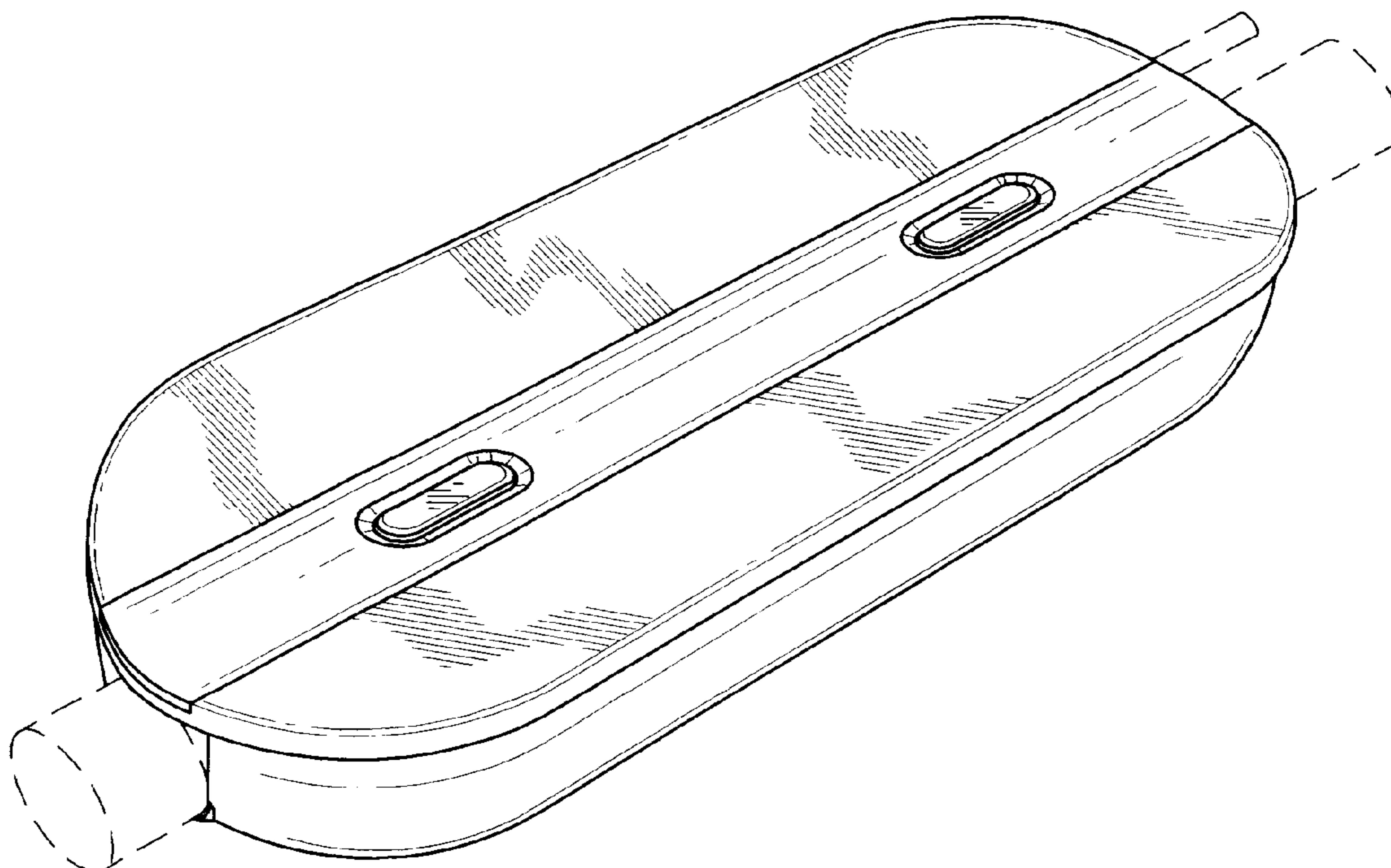
(57) **CLAIM**

We claim the ornamental design for a video enhancer, as shown and described.

DESCRIPTION

FIG. 1 is a top view of the video enhancer;
FIG. 2 is a bottom view thereof;
FIG. 3 is a front elevational view thereof;
FIG. 4 is a rear elevational view thereof;
FIG. 5 is a left side elevational view thereof;
FIG. 6 is a right side elevational view thereof;
FIG. 7 is a front, right, top perspective view thereof; and,
FIG. 8 is a rear, left, bottom perspective view thereof.
The broken lines in the drawings are for illustrative purposes only and form no part of the claimed design.

1 Claim, 2 Drawing Sheets



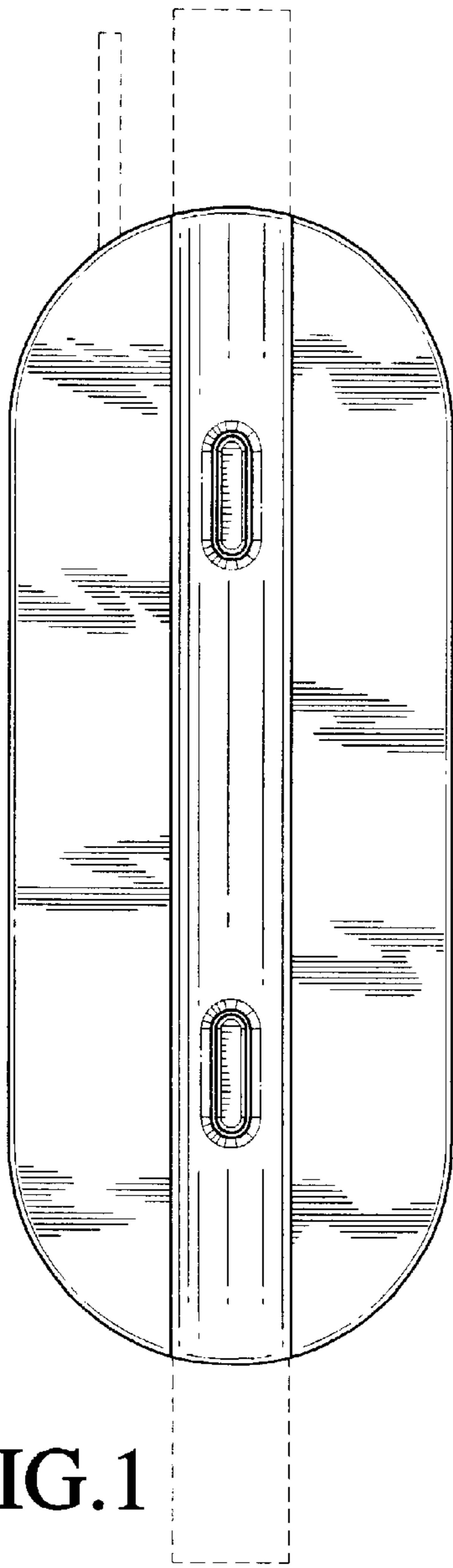


FIG. 1

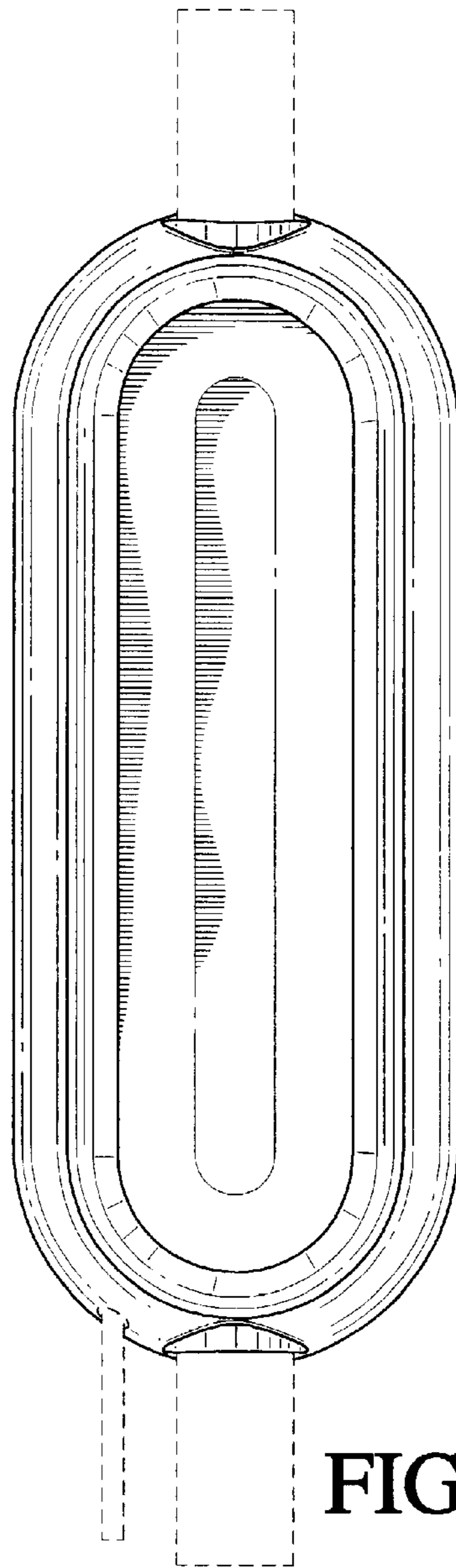


FIG. 2

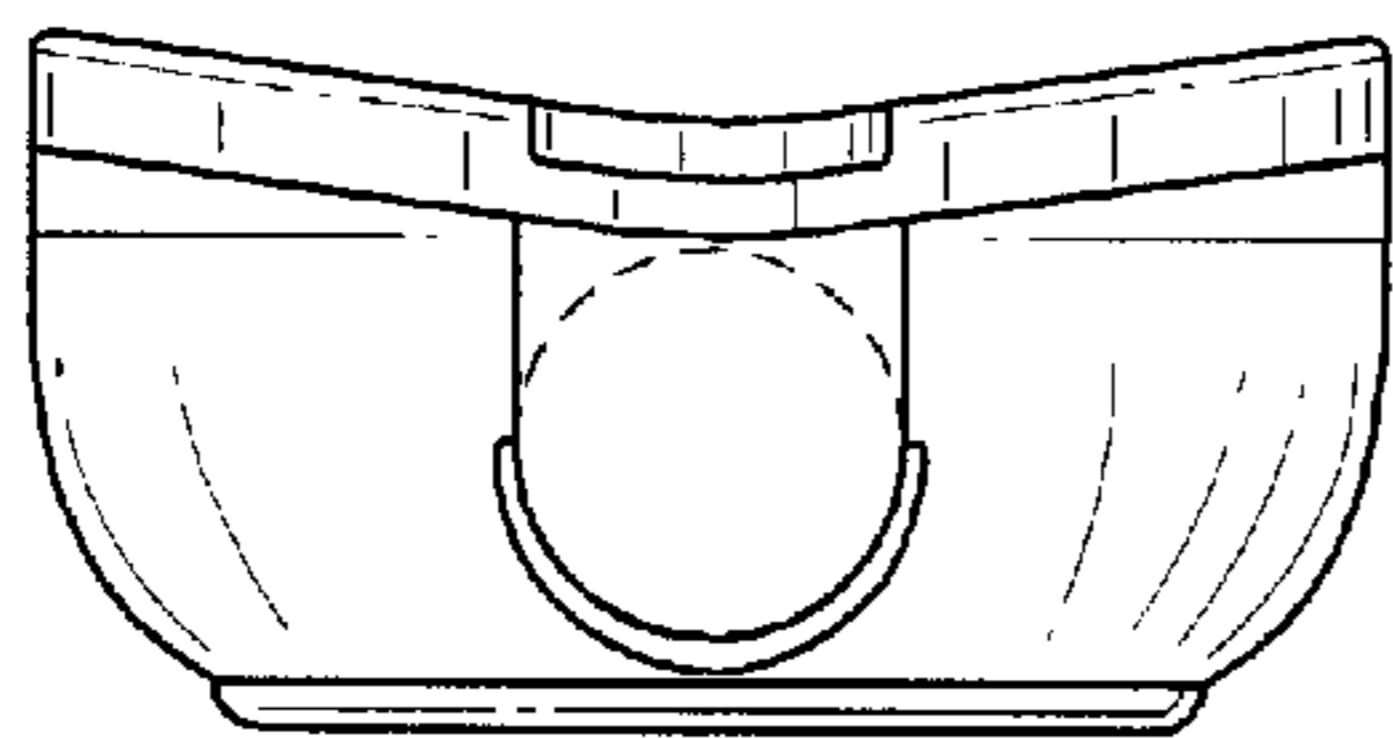


FIG. 3

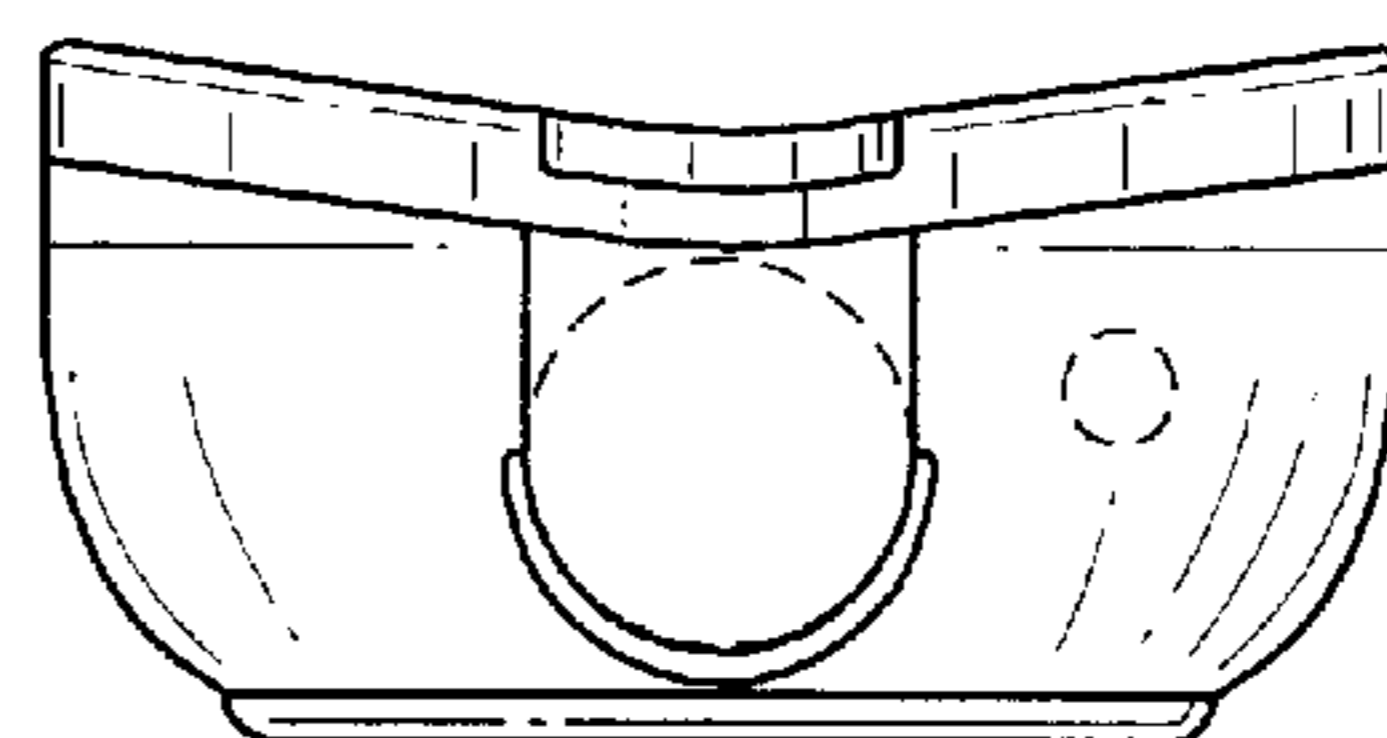


FIG. 4

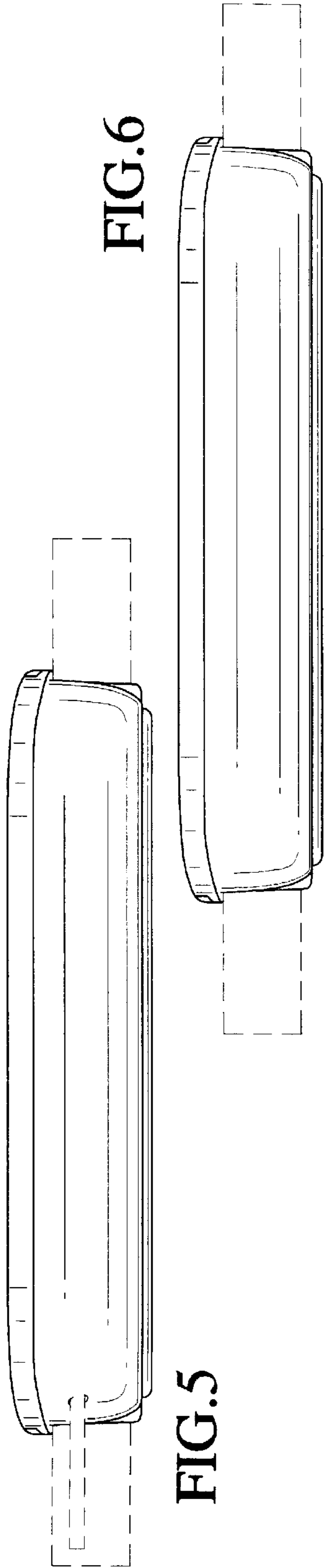


FIG. 6

FIG. 5

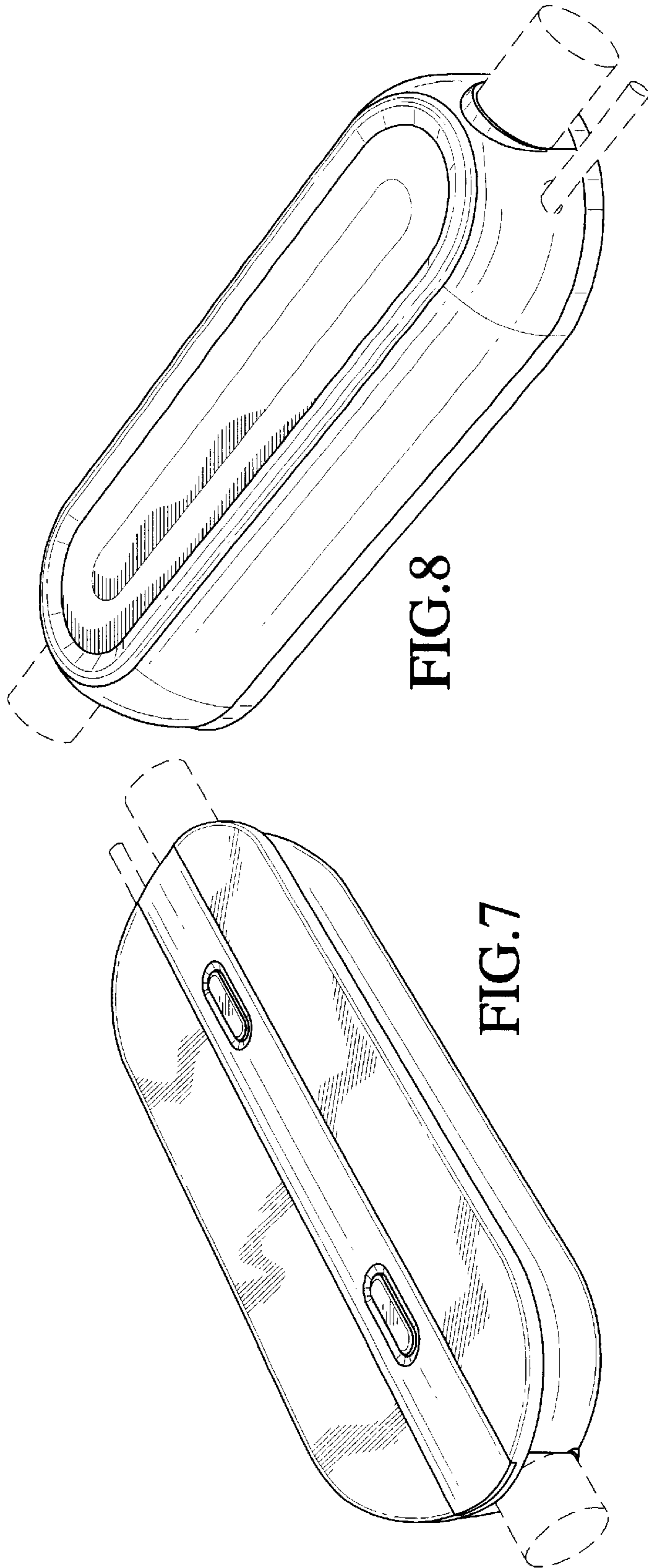


FIG. 8

FIG. 7

UNITED STATES PATENT AND TRADEMARK OFFICE
CERTIFICATE OF CORRECTION

PATENT NO. : Des. 522,020 S
APPLICATION NO. : 29/220748
DATED : May 30, 2006
INVENTOR(S) : Mitchell Suckle et al.

Page 1 of 1

It is certified that error appears in the above-identified patent and that said Letters Patent is hereby corrected as shown below:

On the title page item (75), delete "Mitchell Suckle, Long Beach, CA (US); William Tan, Los Angeles, CA (US); David Goetz, Los Angeles, CA (US)" and insert --Mitchell Suckle, Long Beach, CA (US); Ernesto Quinteros, Los Angeles, CA (US); David Goetz, Los Angeles, CA (US)--

Signed and Sealed this

Twenty-first Day of April, 2009



JOHN DOLL
Acting Director of the United States Patent and Trademark Office