



US00D522013S

(12) **United States Design Patent**
Sakamoto et al.

(10) **Patent No.:** **US D522,013 S**

(45) **Date of Patent:** **** May 30, 2006**

(54) **KEYBOARD**

(75) Inventors: **Toru Sakamoto**, Tokyo (JP); **Yoshiya Watanabe**, Tokyo (JP); **Yasuhisa Kaneda**, Tokyo (JP); **Kanae Fukamatsu**, Tokyo (JP); **Michio Deguchi**, Tokyo (JP)

(73) Assignee: **Sony Computer Entertainment, Inc.**, Tokyo (JP)

(**) Term: **14 Years**

(21) Appl. No.: **29/216,869**

(22) Filed: **Nov. 10, 2004**

(30) **Foreign Application Priority Data**

May 10, 2004 (JP) d2004-013736

(51) **LOC (8) Cl.** **14-02**

(52) **U.S. Cl.** **D14/457**

(58) **Field of Classification Search** D14/455, D14/392, 320, 388, 356, 390, 391, 457, 394, D14/396, 399, 400, 401, 432; 200/6 R, 7, 200/5 A; D21/333; 235/145 R, 146, 145 A; 341/22, 23; 345/168, 169, 156; 400/485, 400/82, 88, 700, 472; 455/556.1-556.2, 554.2, 455/557, 560, 73, 74, 74.1; 248/309.1, 300; 713/300; 463/1, 47, 37, 48, 40-43; D18/2, D18/7, 12.2; 178/17 A, 17 C, 18.03; 361/680; 379/433.07, 447, 455

See application file for complete search history.

(56) **References Cited**

U.S. PATENT DOCUMENTS

D368,708 S 4/1996 Maynard

D462,354 S * 9/2002 Kimbre et al. D14/392
D470,151 S * 2/2003 Lewis et al. D14/455
D471,196 S * 3/2003 Goto D14/392
6,594,142 B1 * 7/2003 Katz 361/680

* cited by examiner

Primary Examiner—Alan P. Douglas

Assistant Examiner—Susan Moon Lee

(74) *Attorney, Agent, or Firm*—Rader, Fishman & Grauer PLLC

(57) **CLAIM**

The ornamental design for a keyboard, as shown and described.

DESCRIPTION

FIG. 1 is a front elevational view of a keyboard showing our new design;

FIG. 2 is a rear elevational view thereof;

FIG. 3 is a left side elevational view thereof, a right side elevational view thereof being a mirror image;

FIG. 4 is a bottom plan view thereof;

FIG. 5 is a front top right perspective view thereof;

FIG. 6 is a rear bottom left perspective view thereof; and,

FIG. 7 is a reduced front elevational view thereof, showing a using condition.

The broken line showing of the environment are for illustrative purposes only and forms no part of the claimed design.

1 Claim, 5 Drawing Sheets

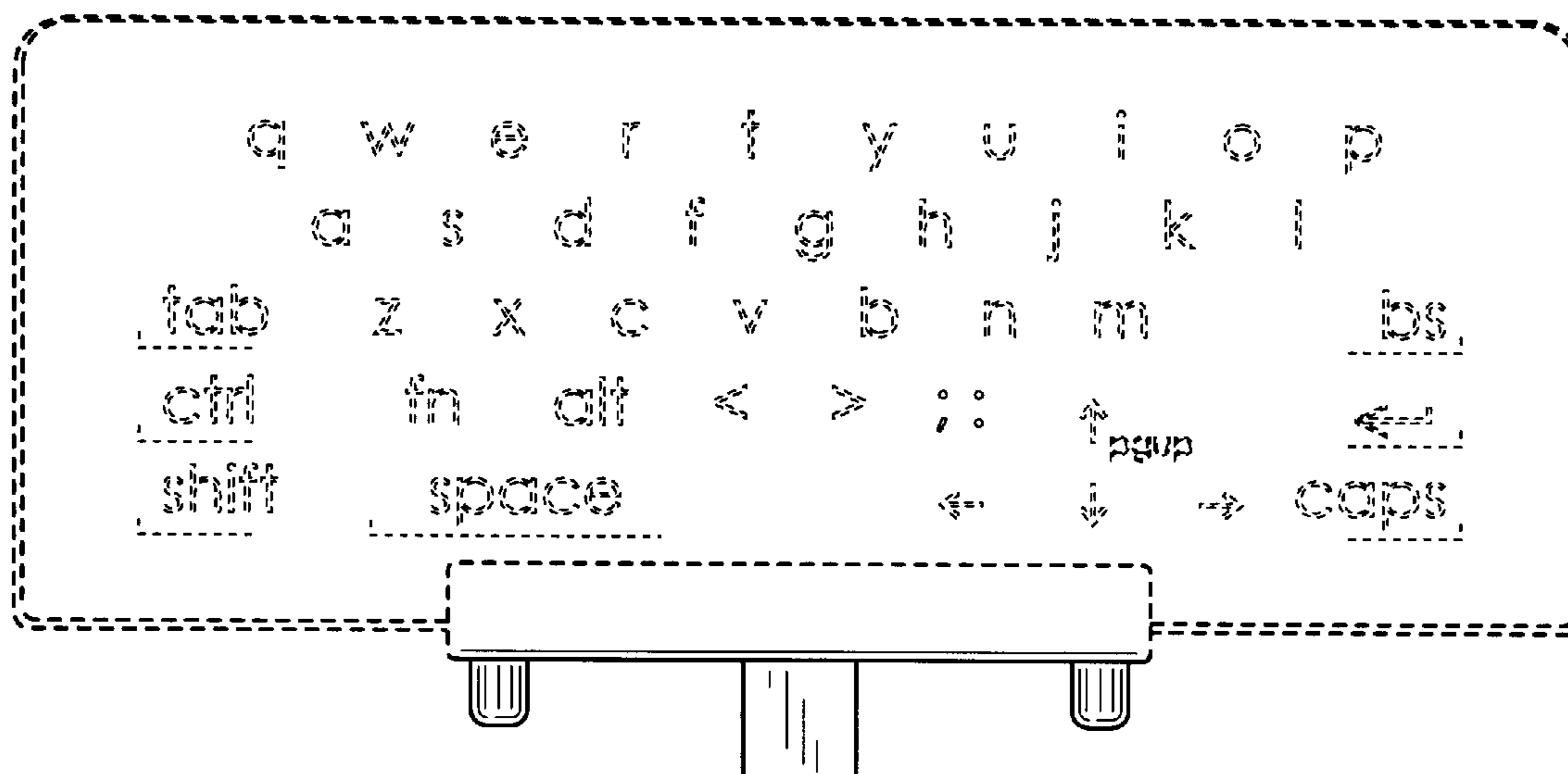


FIG.1

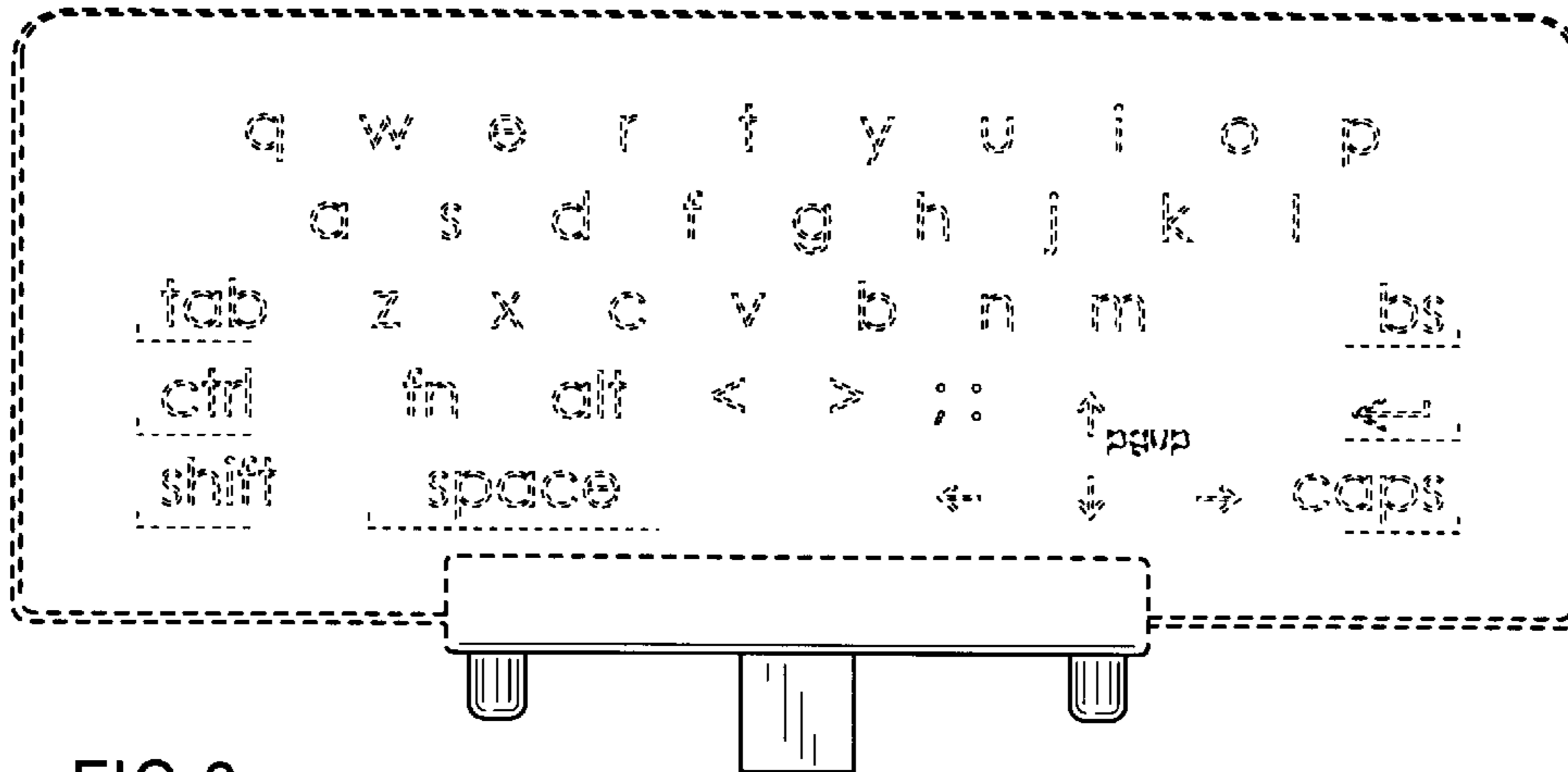


FIG.2

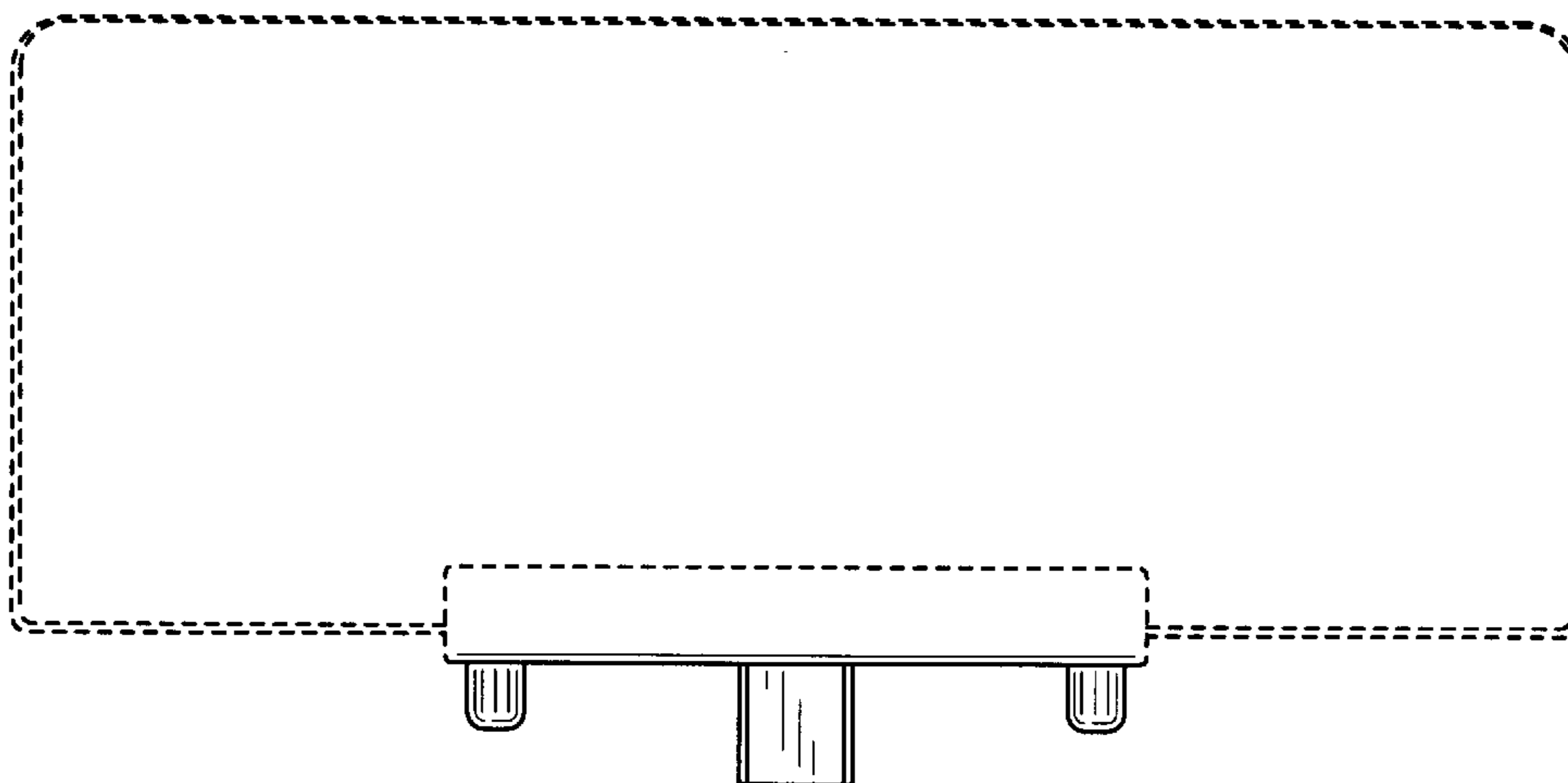


FIG.3

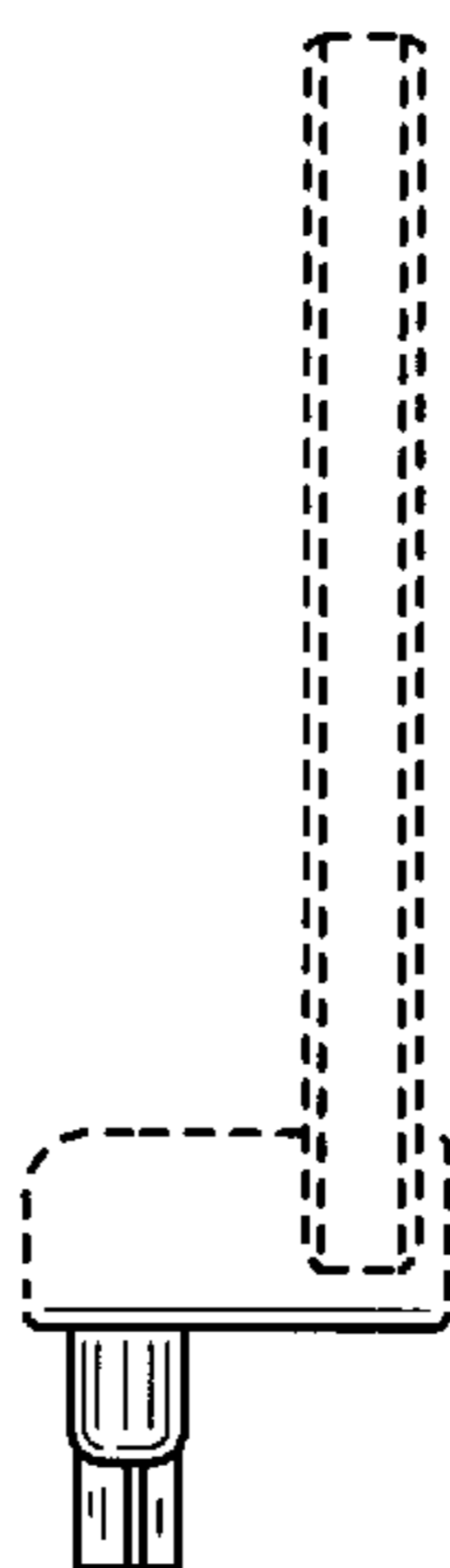


FIG.4

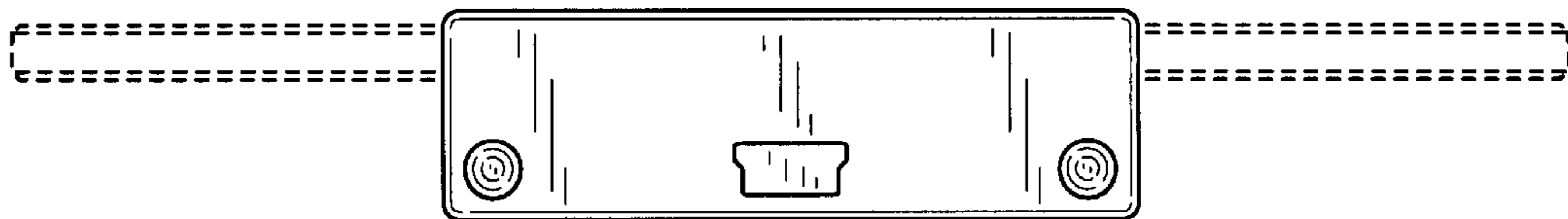


FIG.5

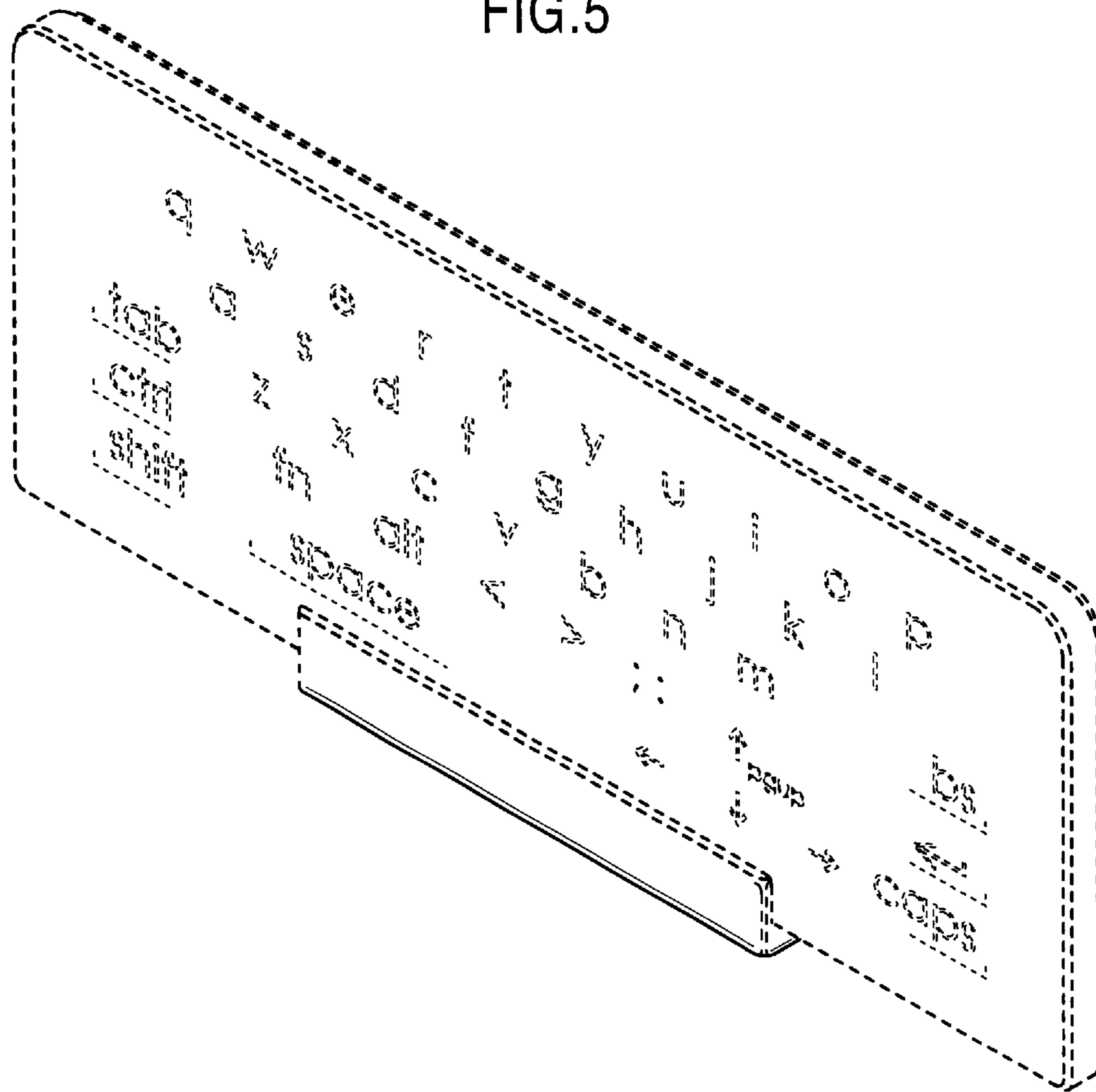


FIG.6

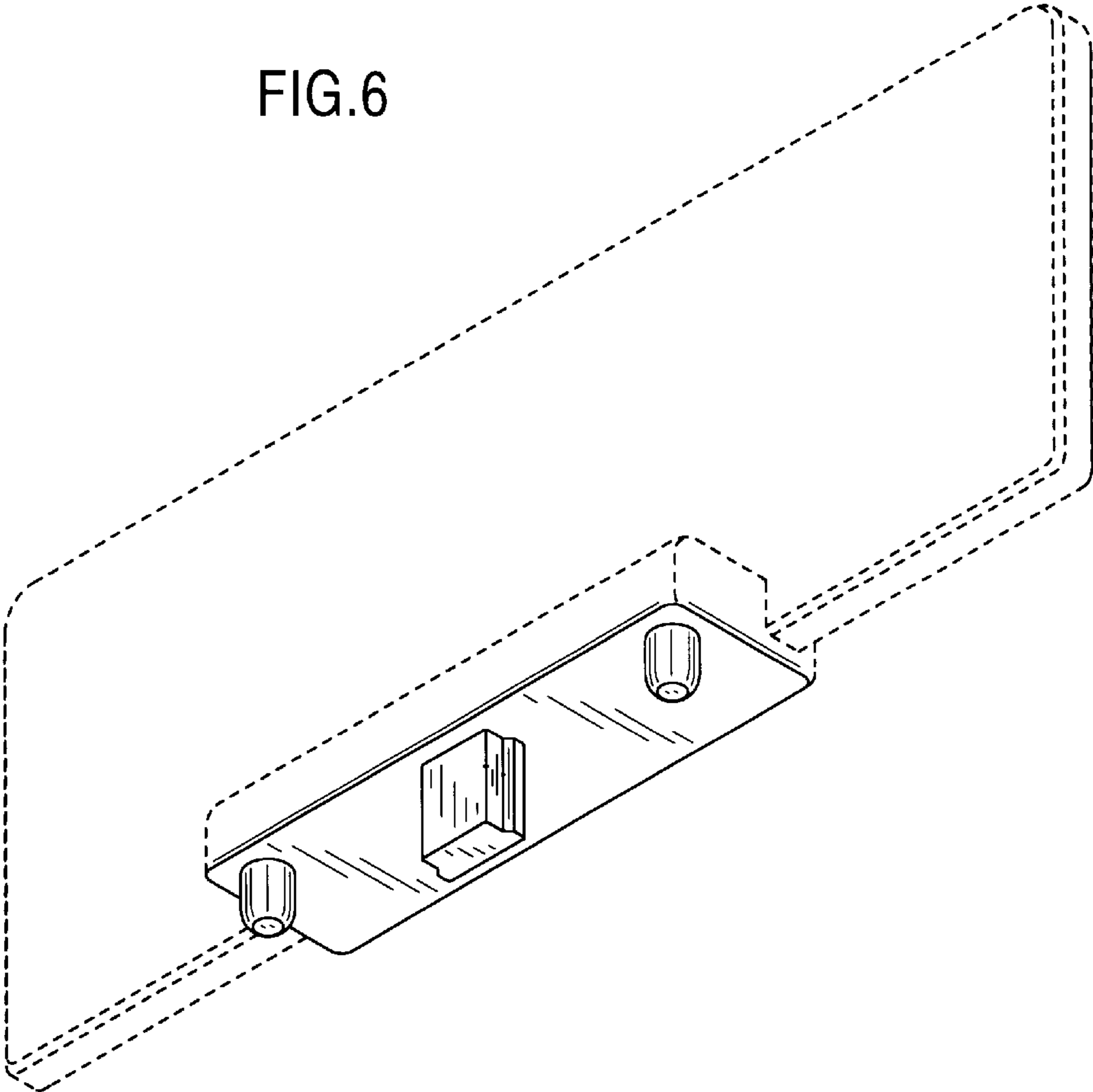
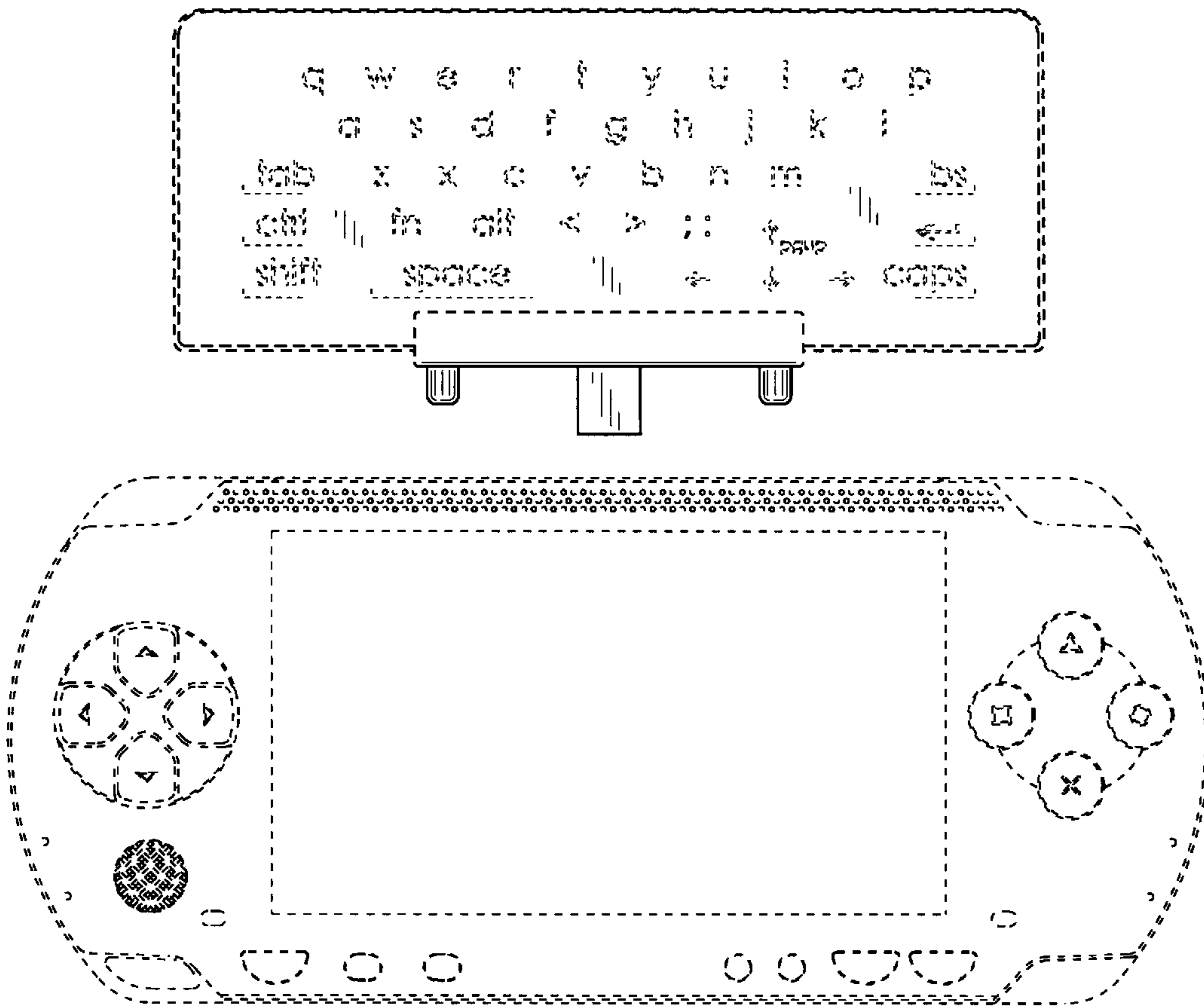


FIG.7



UNITED STATES PATENT AND TRADEMARK OFFICE
CERTIFICATE OF CORRECTION

PATENT NO. : Des. 522,013 S
APPLICATION NO. : 29/216869
DATED : May 30, 2006
INVENTOR(S) : Toru Sakamoto et al.

Page 1 of 1

It is certified that error appears in the above-identified patent and that said Letters Patent is hereby corrected as shown below:

On Title Page, Item (30) Col. 1 should read:

--(30) Foreign Application Priority Data

May 10, 2004 (JP).....D2004-013736

Signed and Sealed this

Twenty-second Day of August, 2006

A handwritten signature in black ink on a light gray dotted background. The signature reads "Jon W. Dudas" in a cursive style.

JON W. DUDAS

Director of the United States Patent and Trademark Office