



US00D522012S

(12) **United States Design Patent**
Hayes et al.

(10) **Patent No.:** **US D522,012 S**

(45) **Date of Patent:** **** May 30, 2006**

(54) **PORTION OF A GAME CONTROLLER**

(75) Inventors: **Jonathan A. Hayes**, Seattle, WA (US);
Michael Baseflug, Duvall, WA (US);
Gregory A. Martinez, Seattle, WA
(US)

(73) Assignee: **Microsoft Corporation**, Redmond, WA
(US)

(**) Term: **14 Years**

(21) Appl. No.: **29/227,639**

(22) Filed: **Apr. 14, 2005**

(51) **LOC (8) Cl.** **14-02**

(52) **U.S. Cl.** **D14/454; D14/401; D21/333**

(58) **Field of Classification Search** D14/400,
D14/401, 412-416, 432, 433, 454, 457, 356;
D21/324, 333; 273/148 B; 463/1, 29-35,
463/38-47; 345/156, 161, 163, 167; 200/1 R,
200/5 R, 5 A

See application file for complete search history.

(56) **References Cited**

U.S. PATENT DOCUMENTS

D348,083	S	*	6/1994	Smith et al.	D14/401
5,501,458	A	*	3/1996	Mallory	273/148 B
D416,588	S	*	11/1999	Goto	D14/454
D424,047	S	*	5/2000	Chan	D14/401
D430,223	S	*	8/2000	Goto	D21/333
D432,180	S	*	10/2000	Hayes	D21/333

6,232,959	B1	*	5/2001	Pedersen	345/161
6,342,009	B1	*	1/2002	Soma	463/38
D470,854	S	*	2/2003	Jones et al.	D14/456
D471,201	S	*	3/2003	Tsukuda	D14/455
6,659,870	B1	*	12/2003	Sobota	463/37
D487,466	S	*	3/2004	Yokota	D14/454
6,923,443	B1	*	8/2005	Hughes, IV	273/148 B

* cited by examiner

Primary Examiner—Prabhakar Deshmukh

(74) *Attorney, Agent, or Firm*—Banner & Witcoff, Ltd.

(57) **CLAIM**

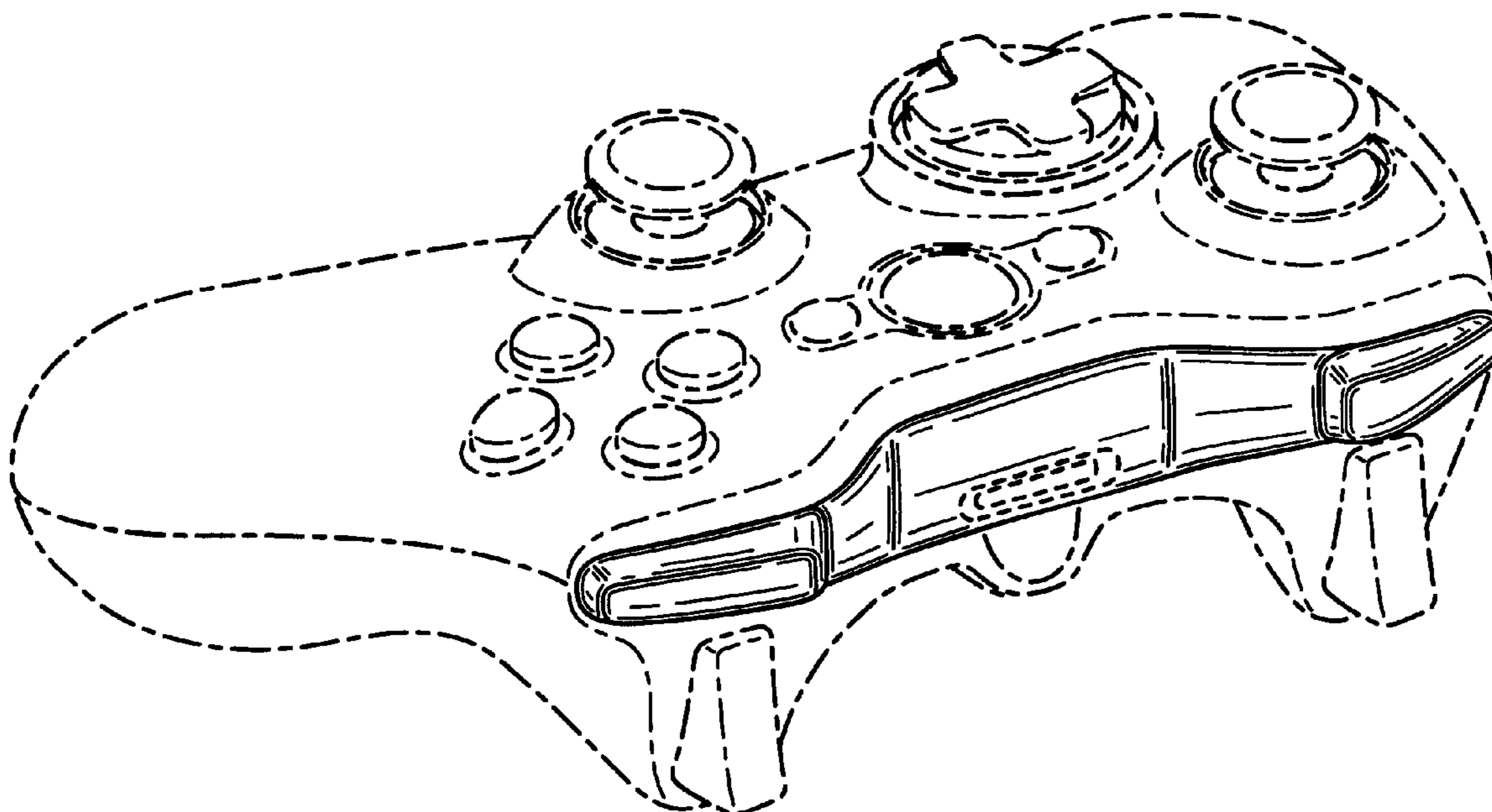
The ornamental design for a portion of a game controller, as shown and described.

DESCRIPTION

FIG. 1 is a front perspective view of a portion of a game controller showing our new design; FIG. 2 is a top view thereof; FIG. 3 is a left side view thereof; FIG. 4 is a right side view thereof; FIG. 5 is a front view thereof; FIG. 6 is a rear view thereof; and, FIG. 7 is a bottom view thereof.

The unshaded broken line showing of the connector region in FIGS. 1 and 5 forms no part of the claimed design. The broken line showing the remainder of the game controller is for illustrative purposes only and forms no part of the claimed design.

1 Claim, 4 Drawing Sheets



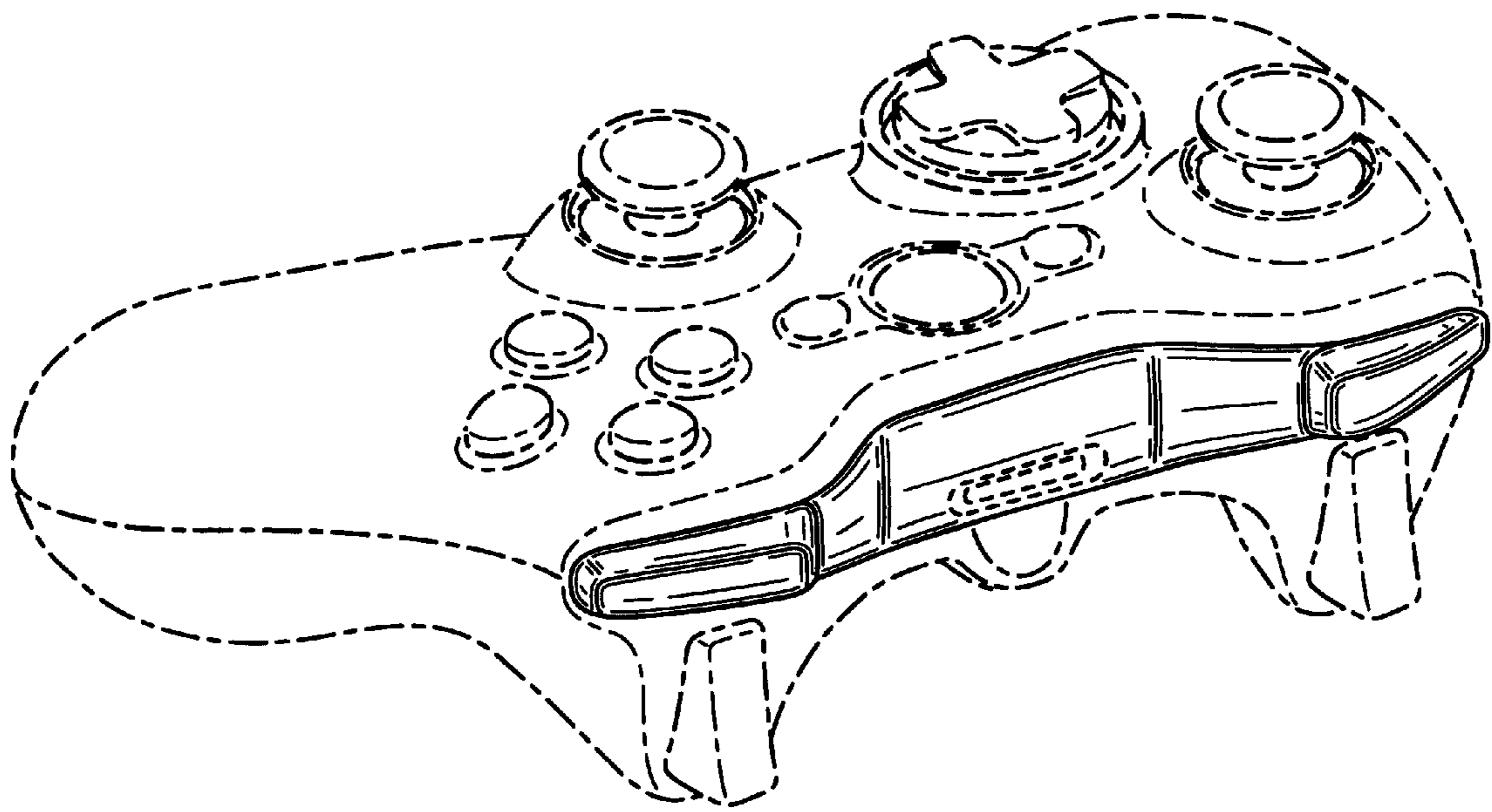


FIG. 1

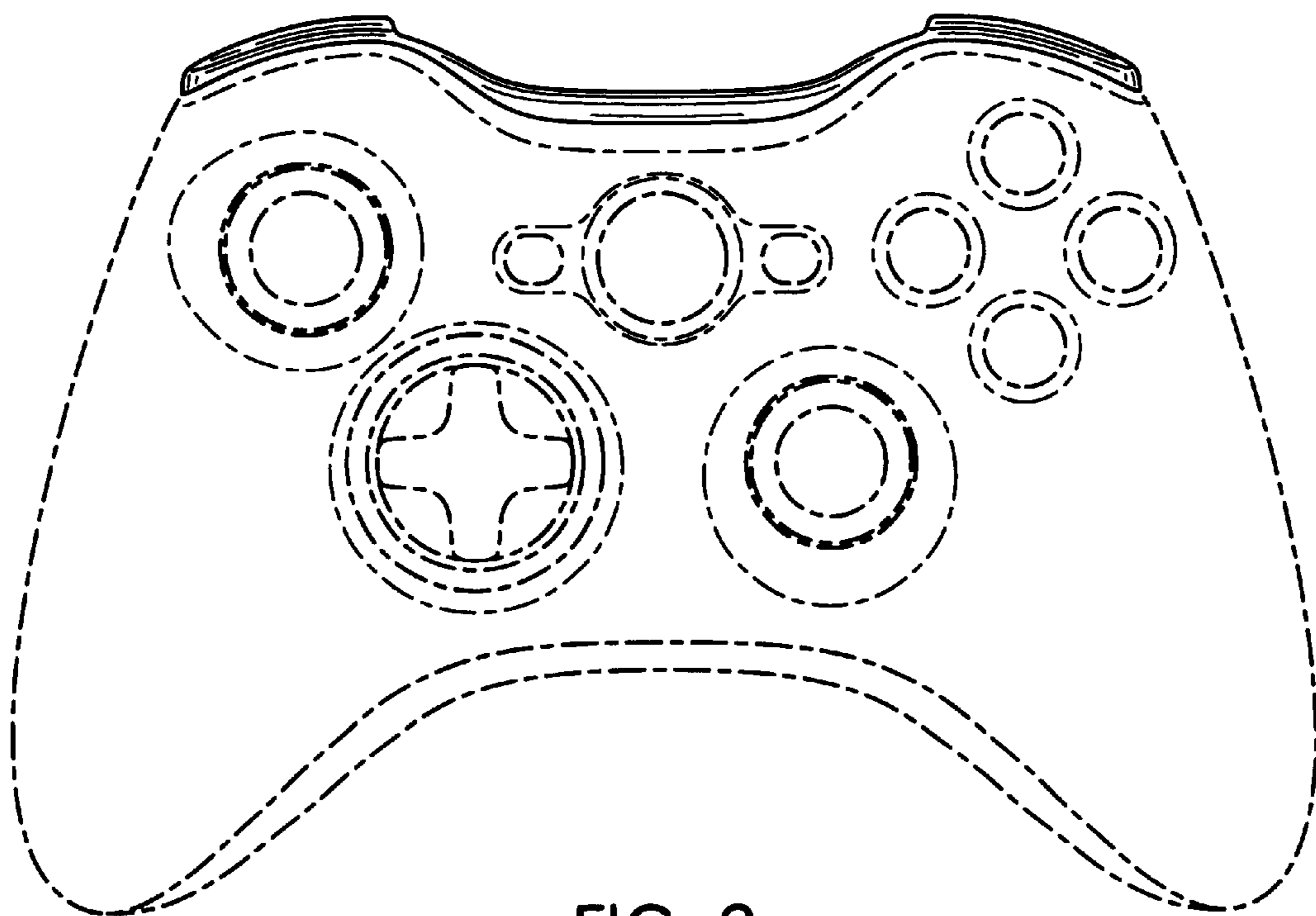


FIG. 2

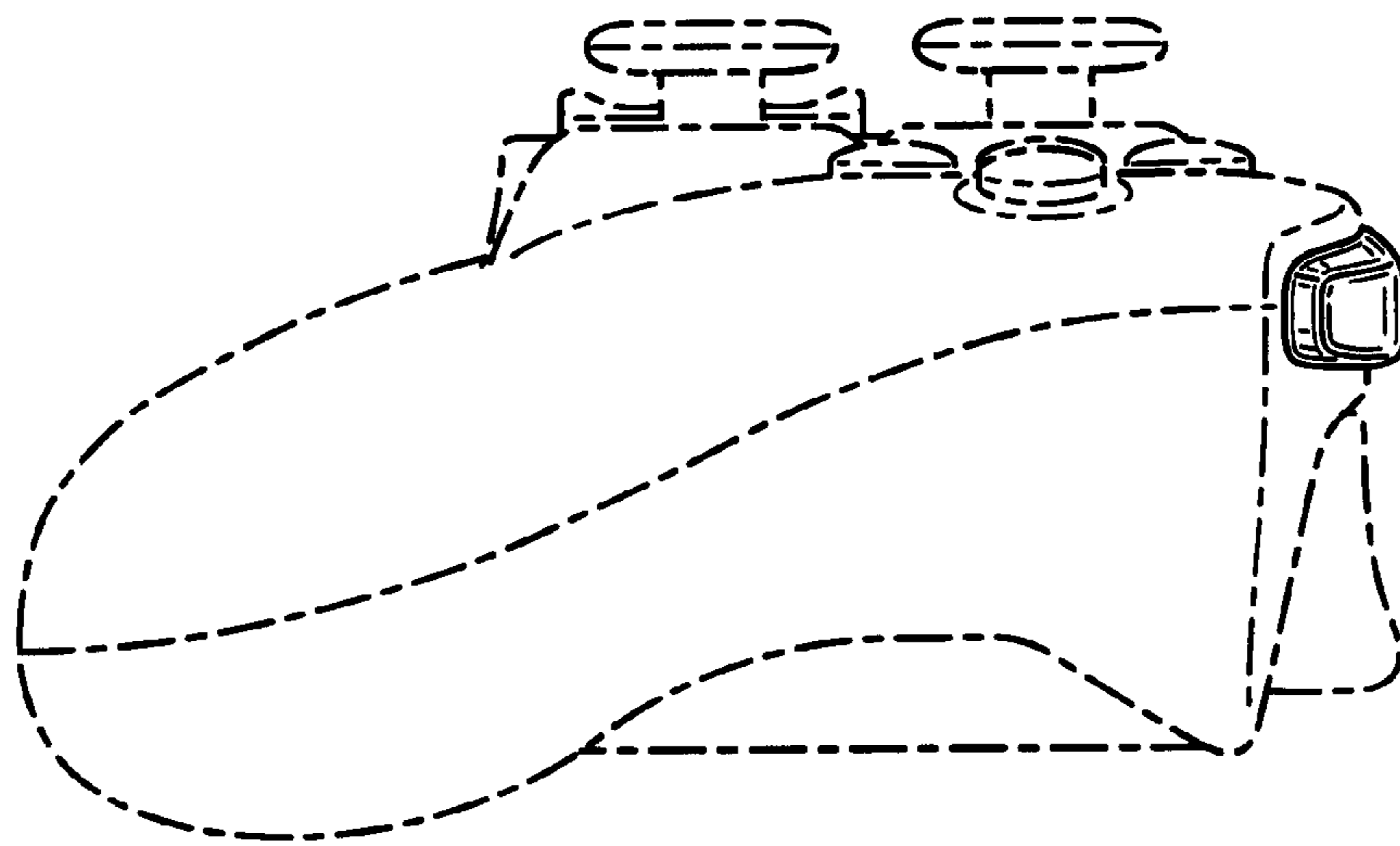


FIG. 3

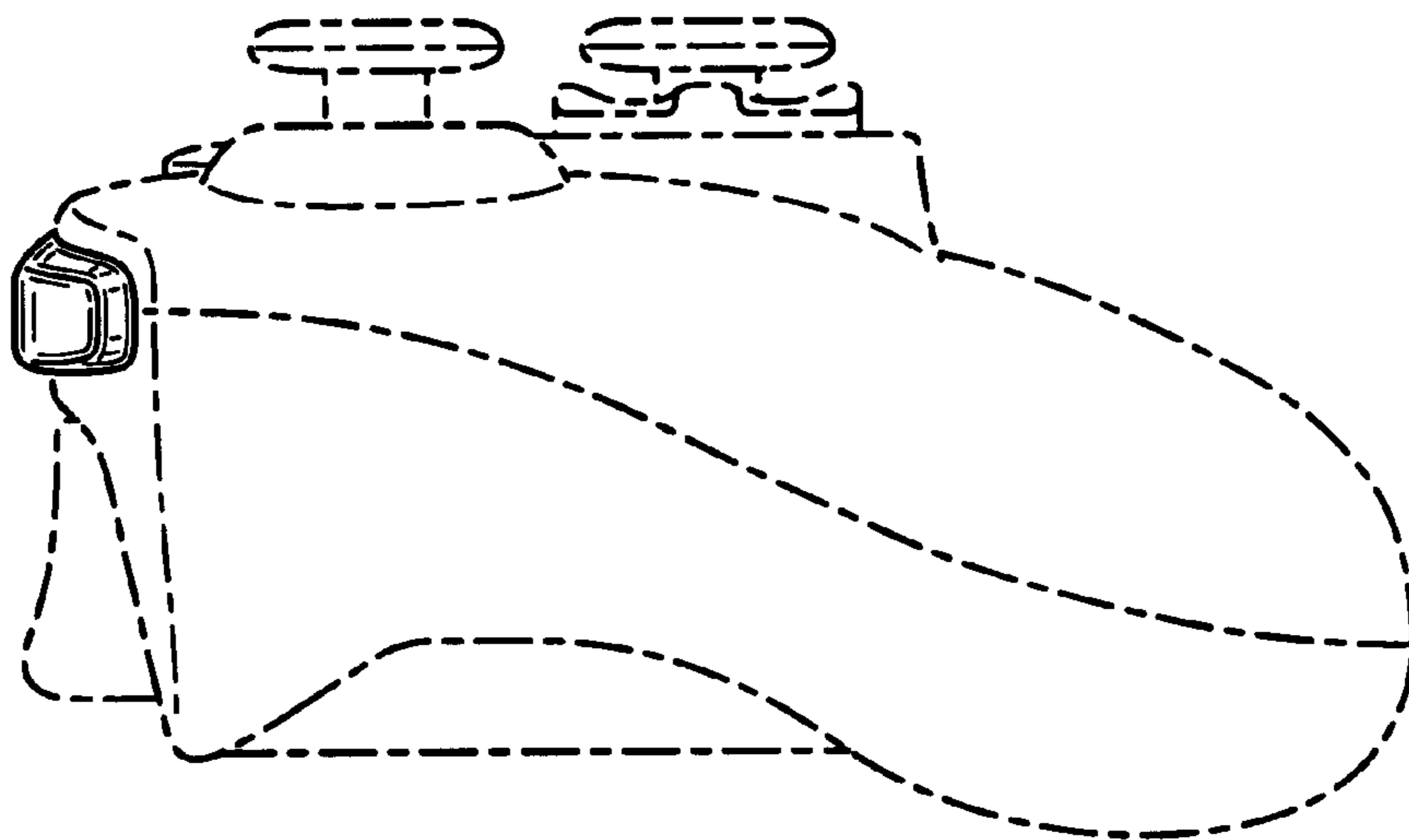


FIG. 4

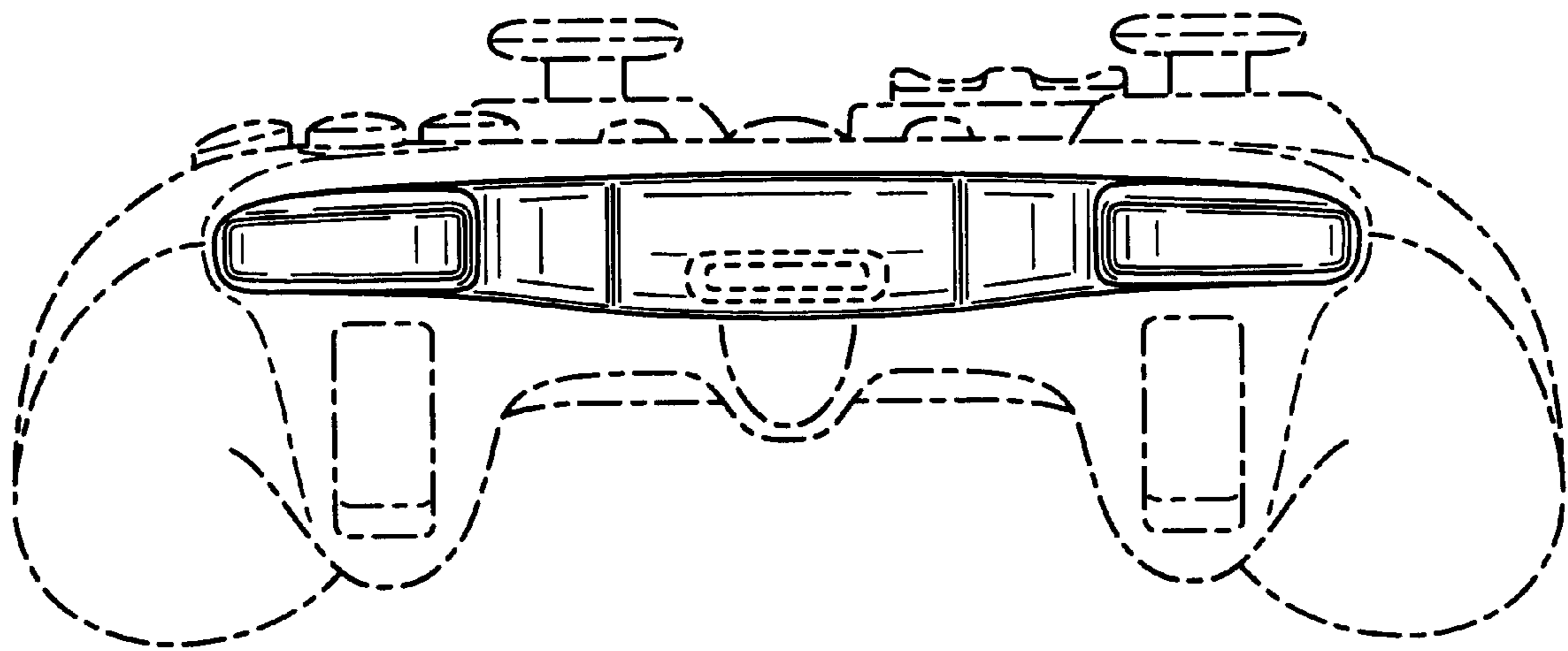


FIG. 5

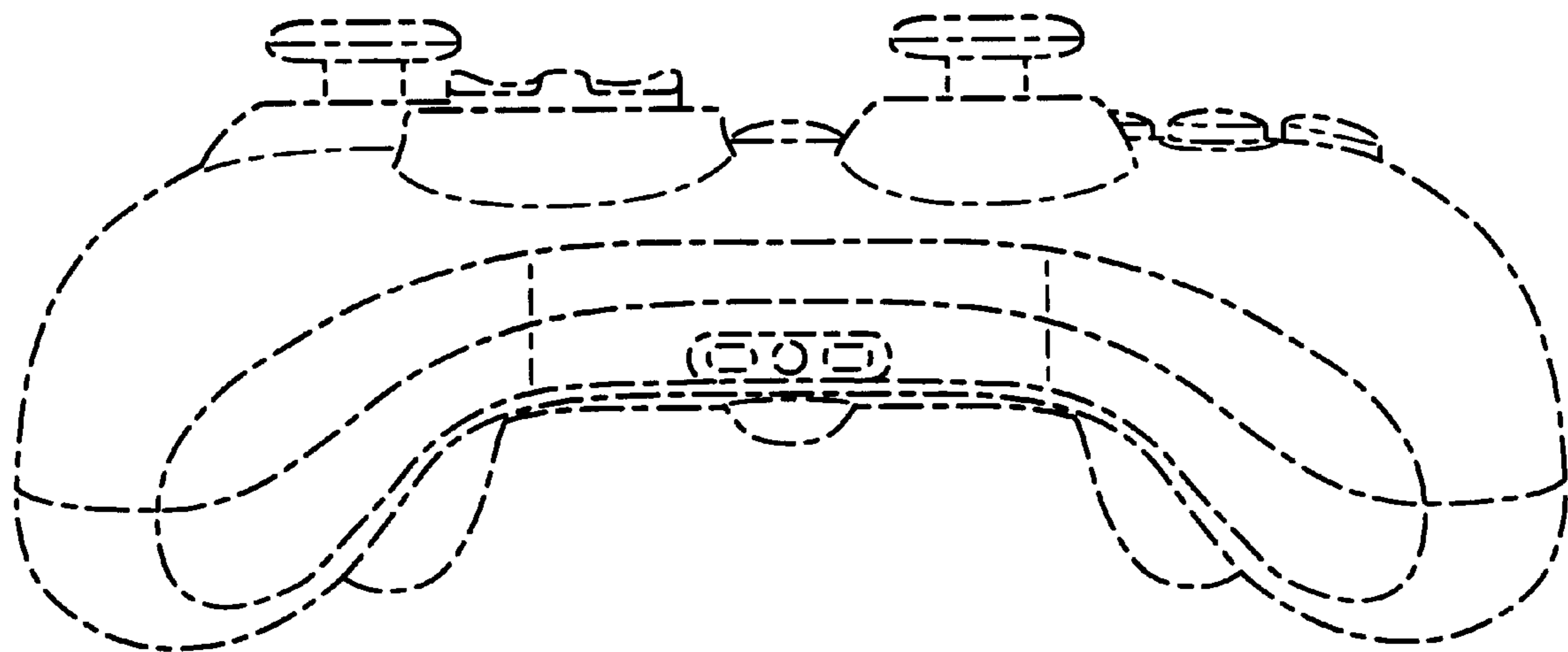


FIG. 6

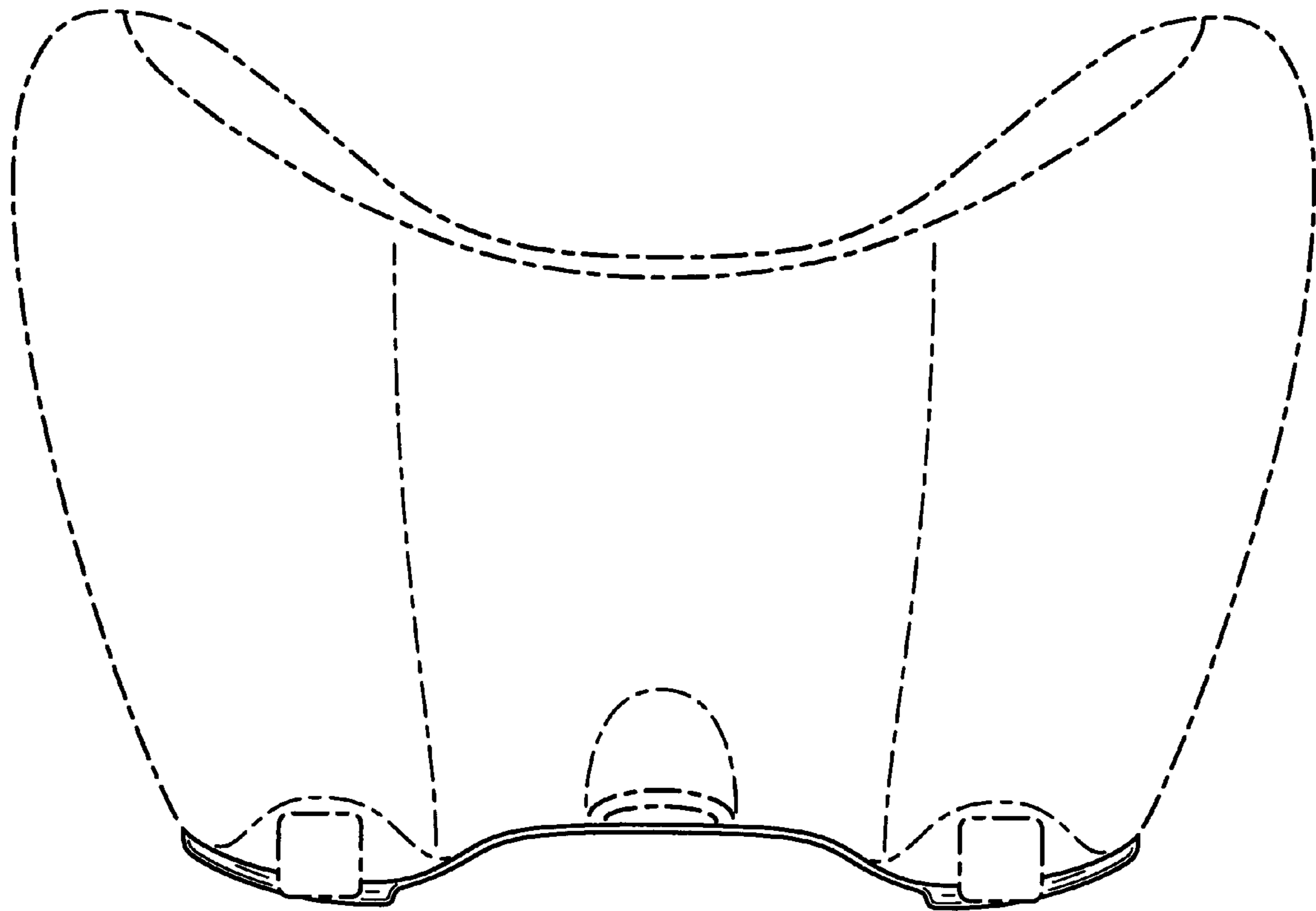


FIG. 7