



US00D522010S

(12) **United States Design Patent**
Piazza et al.

(10) **Patent No.:** **US D522,010 S**

(45) **Date of Patent:** **** May 30, 2006**

(54) **SUPPORT ARM FOR A DISPLAY**

(75) Inventors: **Anthony Piazza**, Palo Alto, CA (US);
Steven L. Atkins, Mountain View, CA
(US); **James Yurchenco**, Palo Alto, CA
(US); **John Smith**, San Francisco, CA
(US); **Jonathan I. Kaplan**, Palo Alto,
CA (US); **Paul Frey**, San Francisco,
CA (US); **Mark Siminoff**, San Jose, CA
(US)

(73) Assignee: **Steelcase Development Corporation**,
Grand Rapids, MI (US)

(**) Term: **14 Years**

(21) Appl. No.: **29/223,433**

(22) Filed: **Feb. 14, 2005**

(51) **LOC (8) Cl.** **08-07**

(52) **U.S. Cl.** **D14/452**

(58) **Field of Classification Search** 248/274.1,
248/276.1, 278.1, 282.1, 917, 280.11, 288.11,
248/921, 122.1, 919, 279.1, 536, 516, 519,
248/309.1, 145, 284.1, 314, 286.1, 281.11,
248/123.11, 125.7, 291.1, 285.1; D14/452,
D14/448, 451, 447; D8/363, 373, 349, 380,
D8/355; D26/63, 140, 65; 312/7.2; 361/680-686;
403/164, 117; 362/430, 427; D6/418, 567,
D6/491, 330, 338; 108/48, 28, 137, 139,
108/140, 152; D24/177; 33/440, 442
See application file for complete search history.

(56) **References Cited**

U.S. PATENT DOCUMENTS

4,082,244 A * 4/1978 Groff 248/280.11
D289,118 S * 4/1987 Opsvik D6/491
4,657,217 A * 4/1987 Kiesel et al. 248/123.11
4,880,193 A * 11/1989 Warshawsky 248/122.1

5,127,617 A * 7/1992 Bergetz 248/278.1
D331,921 S * 12/1992 Gutke et al. D14/452
5,342,137 A * 8/1994 Peng 403/164
5,487,524 A * 1/1996 Bergetz 248/613
D368,787 S * 4/1996 Yuen D26/63
D391,946 S * 3/1998 Rosen D14/452
D398,452 S * 9/1998 Reddig D6/338
5,950,975 A * 9/1999 Zieske 248/291.1
D465,343 S * 11/2002 Daneault D6/338

* cited by examiner

Primary Examiner—Alan P. Douglas

Assistant Examiner—Susan Moon Lee

(74) *Attorney, Agent, or Firm*—Quarles & Brady LLP

(57) **CLAIM**

The ornamental design for a support arm for a display, as shown and described.

DESCRIPTION

In a preferred embodiment, the nature of this product is an adjustable support arm for a flat panel display for a computer.

FIG. 1 is a rear, right perspective view of a support arm for a display embodying our new design;

FIG. 2 is a front elevational view thereof;

FIG. 3 is a left side elevational view thereof;

FIG. 4 is a right side elevational view thereof;

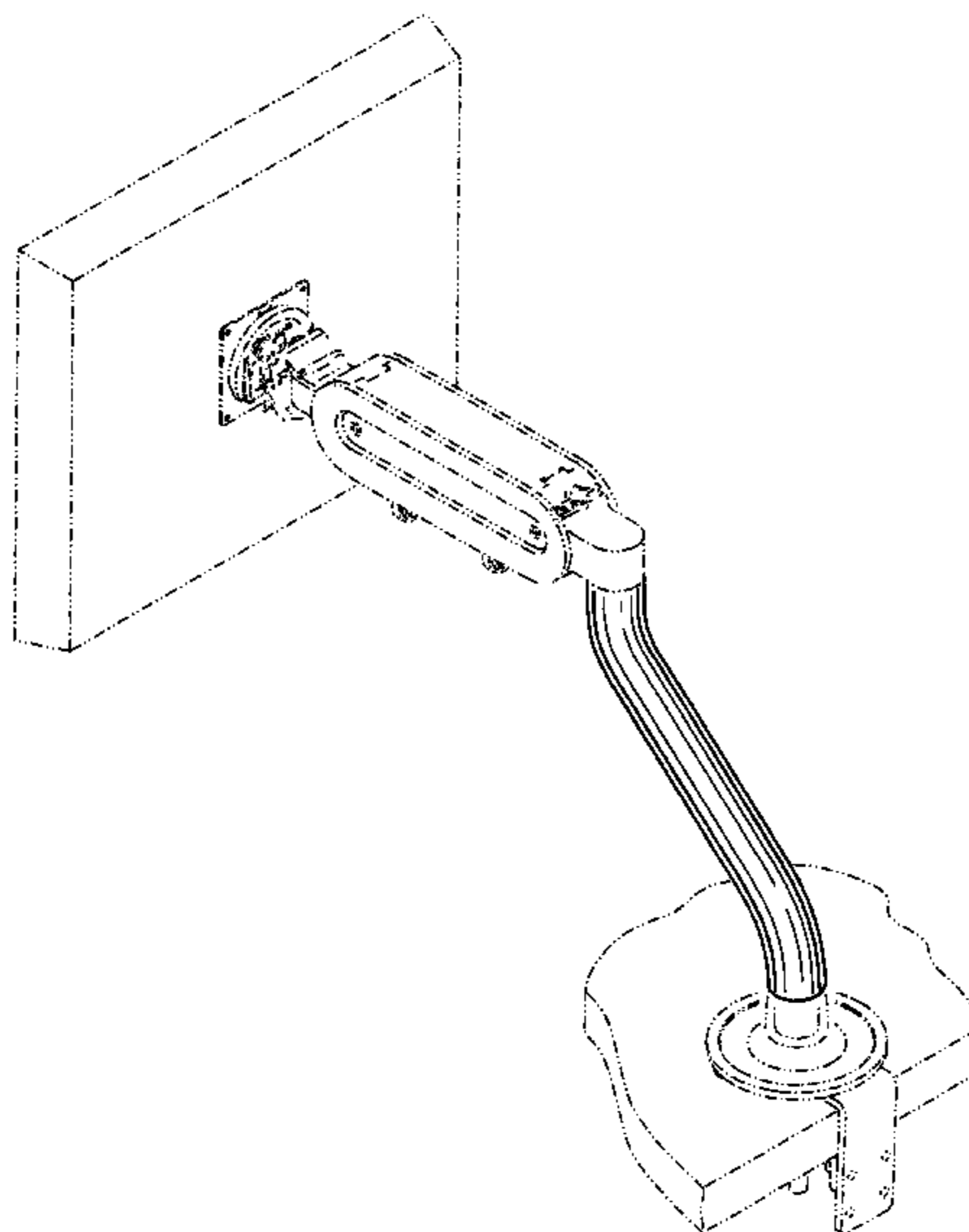
FIG. 5 is a rear elevational view thereof;

FIG. 6 is a top plan view thereof; and,

FIG. 7 is a bottom plan view thereof.

The broken line representations of a display in FIGS. 1 and 3-7, of display mounting structure in FIGS. 1 and 3-7, of an upper support arm in FIGS. 1-7, of a lower mounting pin in FIGS. 1-5 and 7, of table mounting structure in FIGS. 1 and 6, and of a table in FIGS. 1 and 6, are for the purpose of illustration only, and form no part of the claimed design.

1 Claim, 4 Drawing Sheets



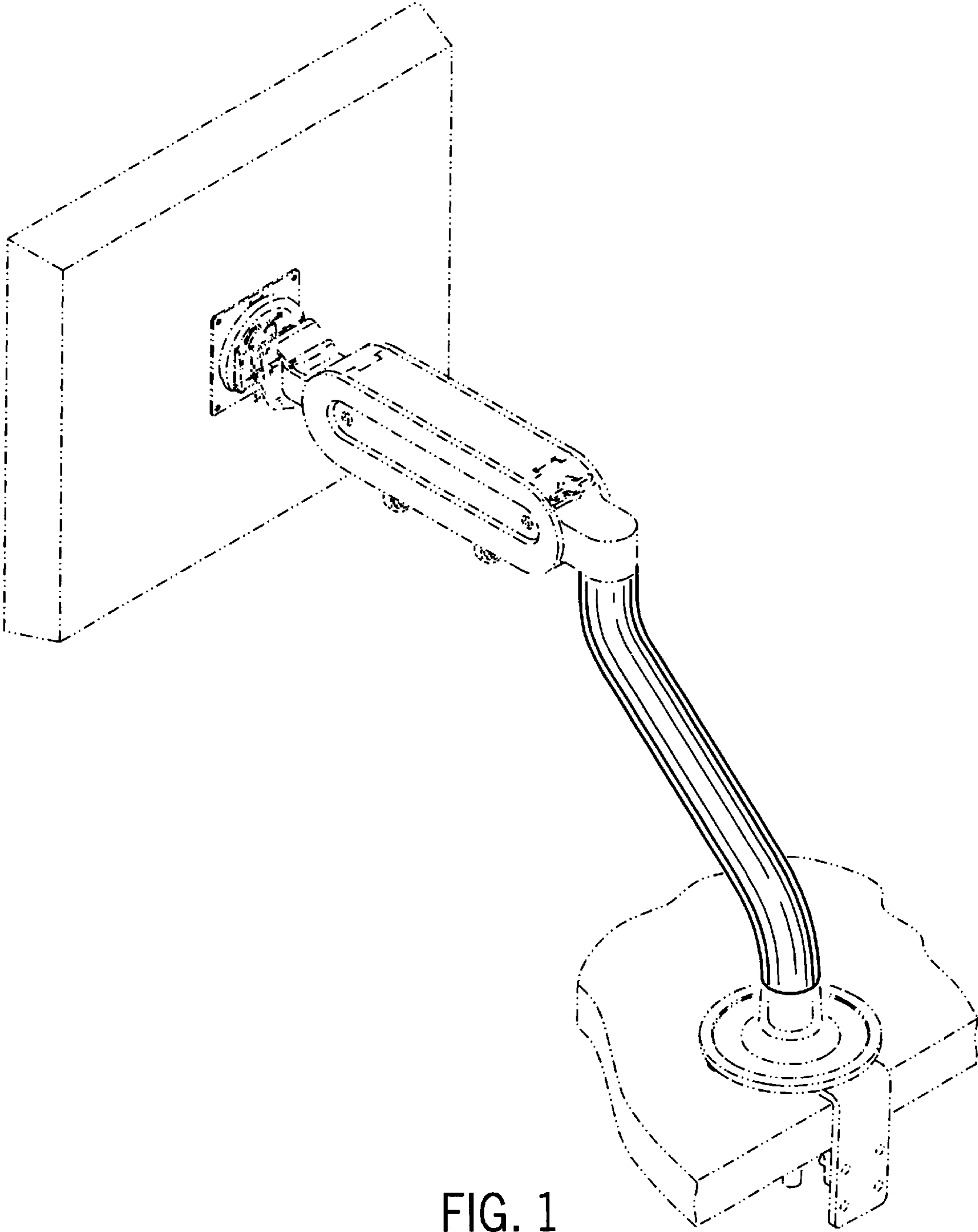


FIG. 1

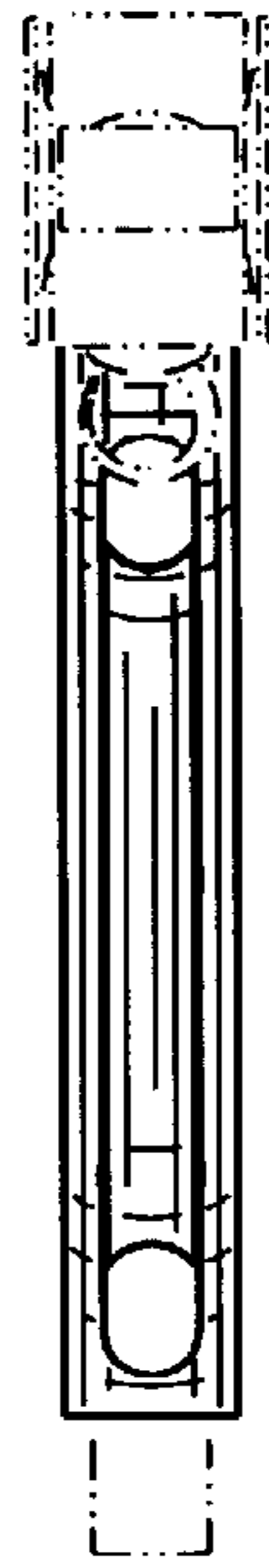


FIG. 2

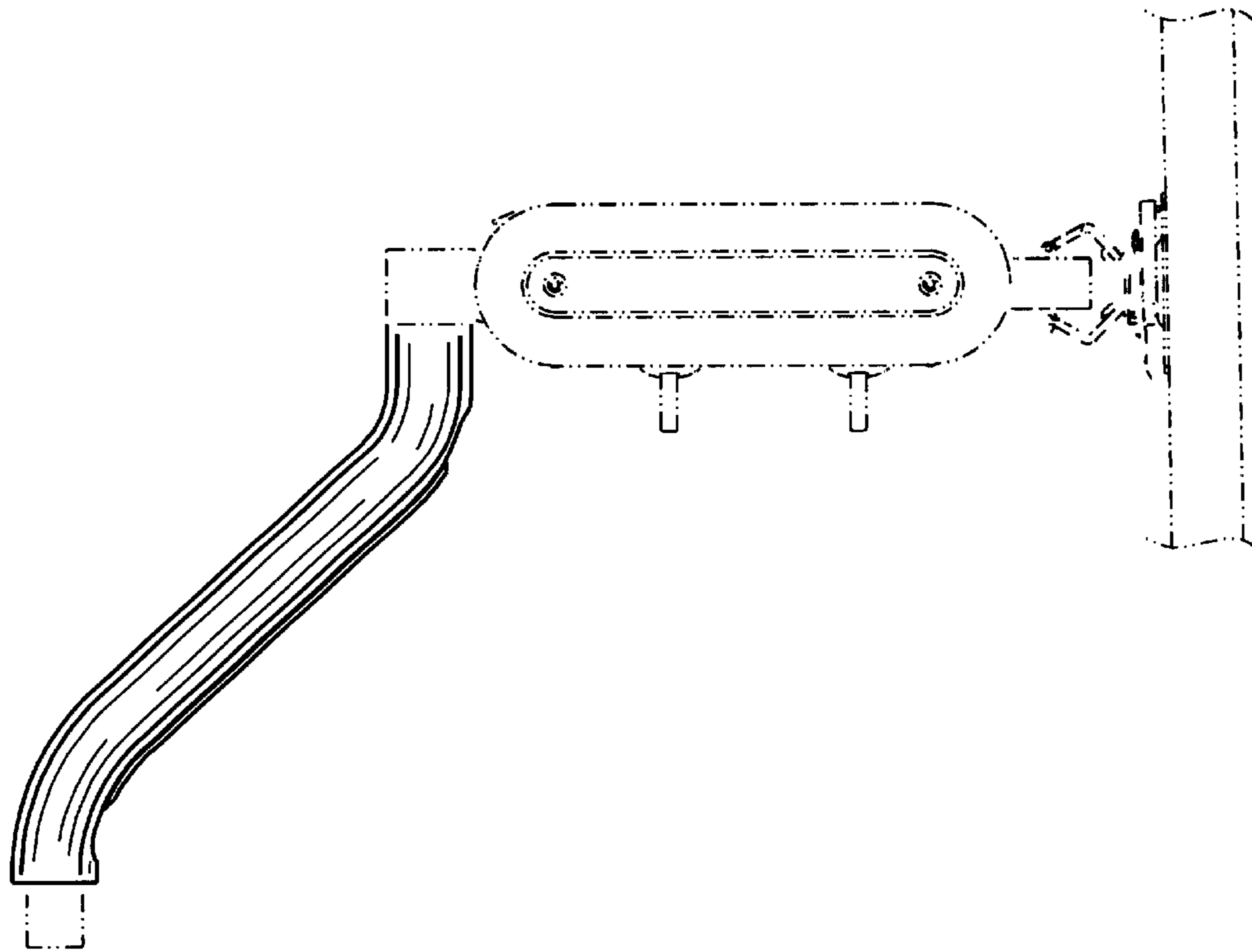


FIG. 3

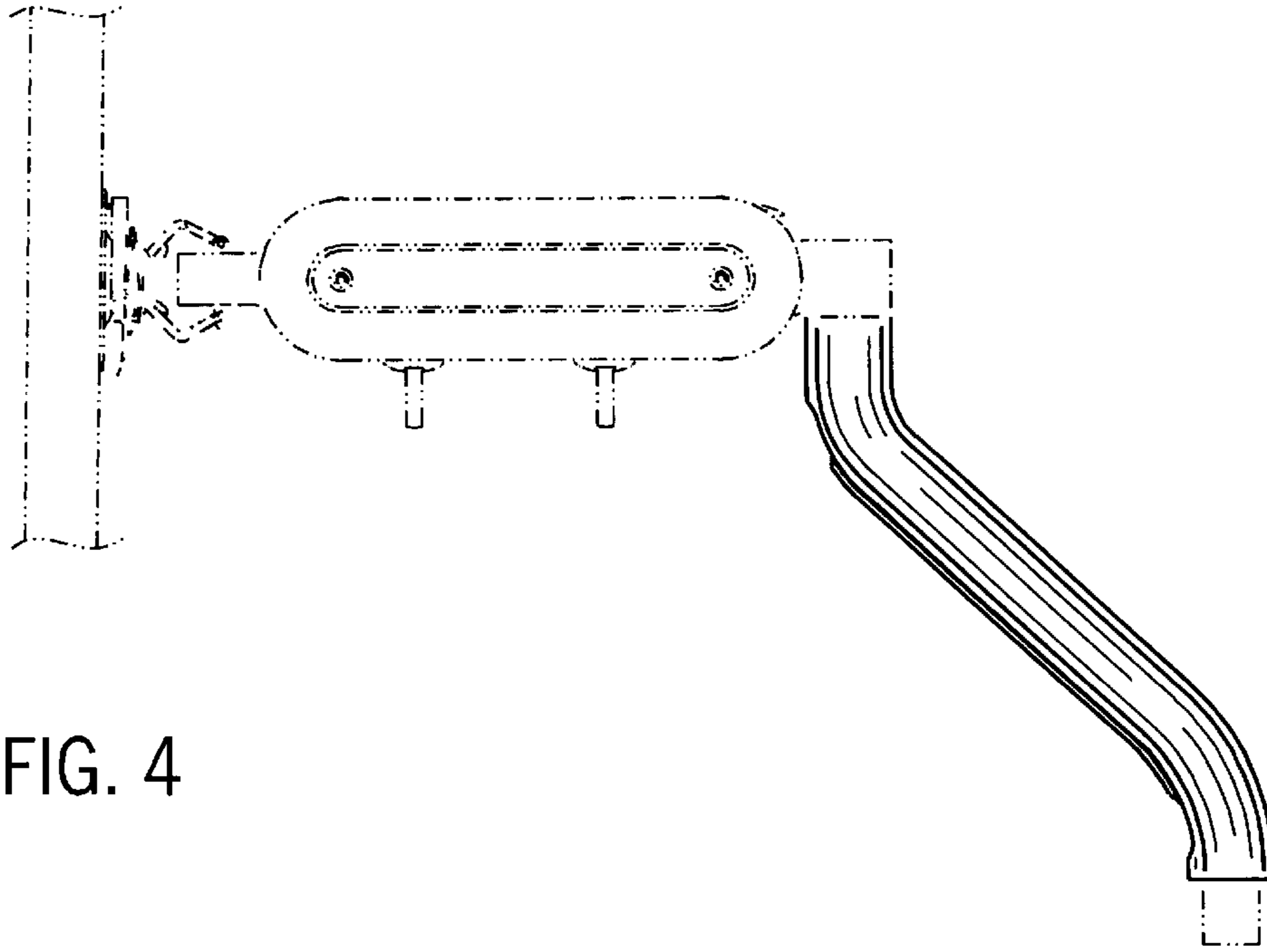


FIG. 4

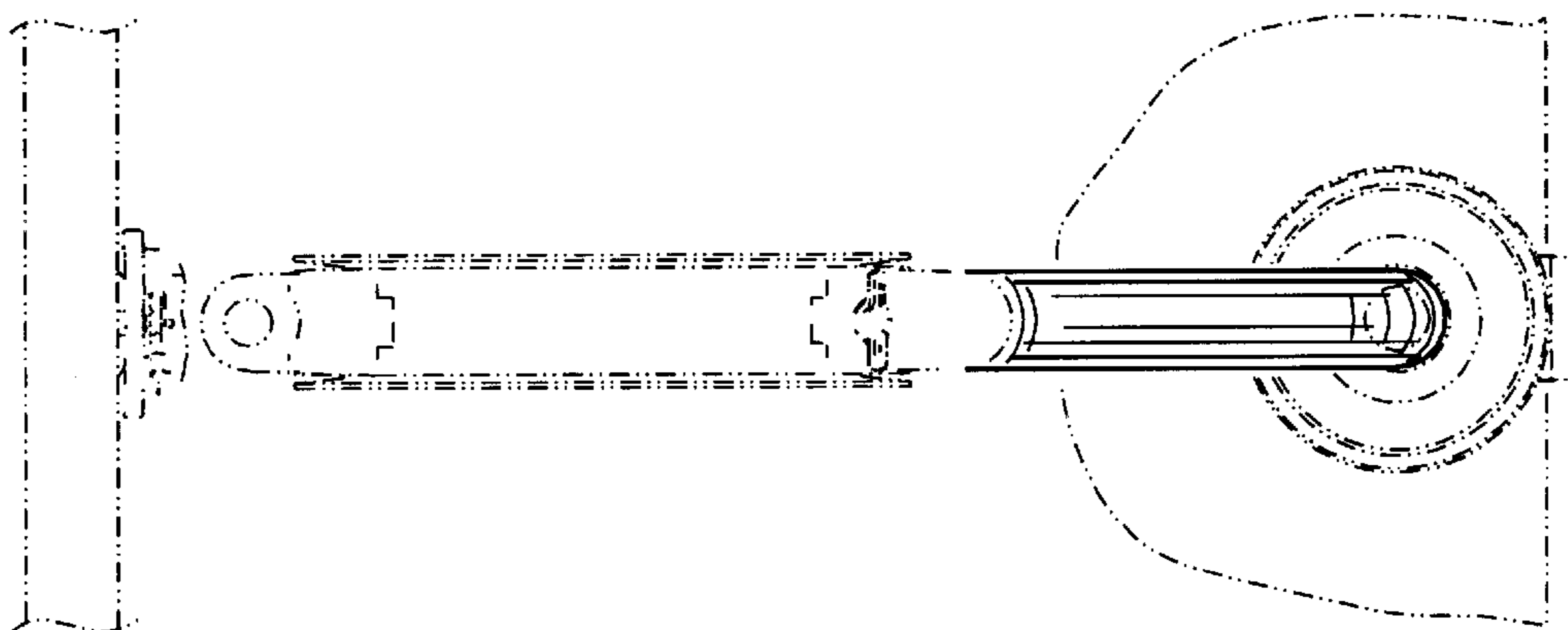


FIG. 6

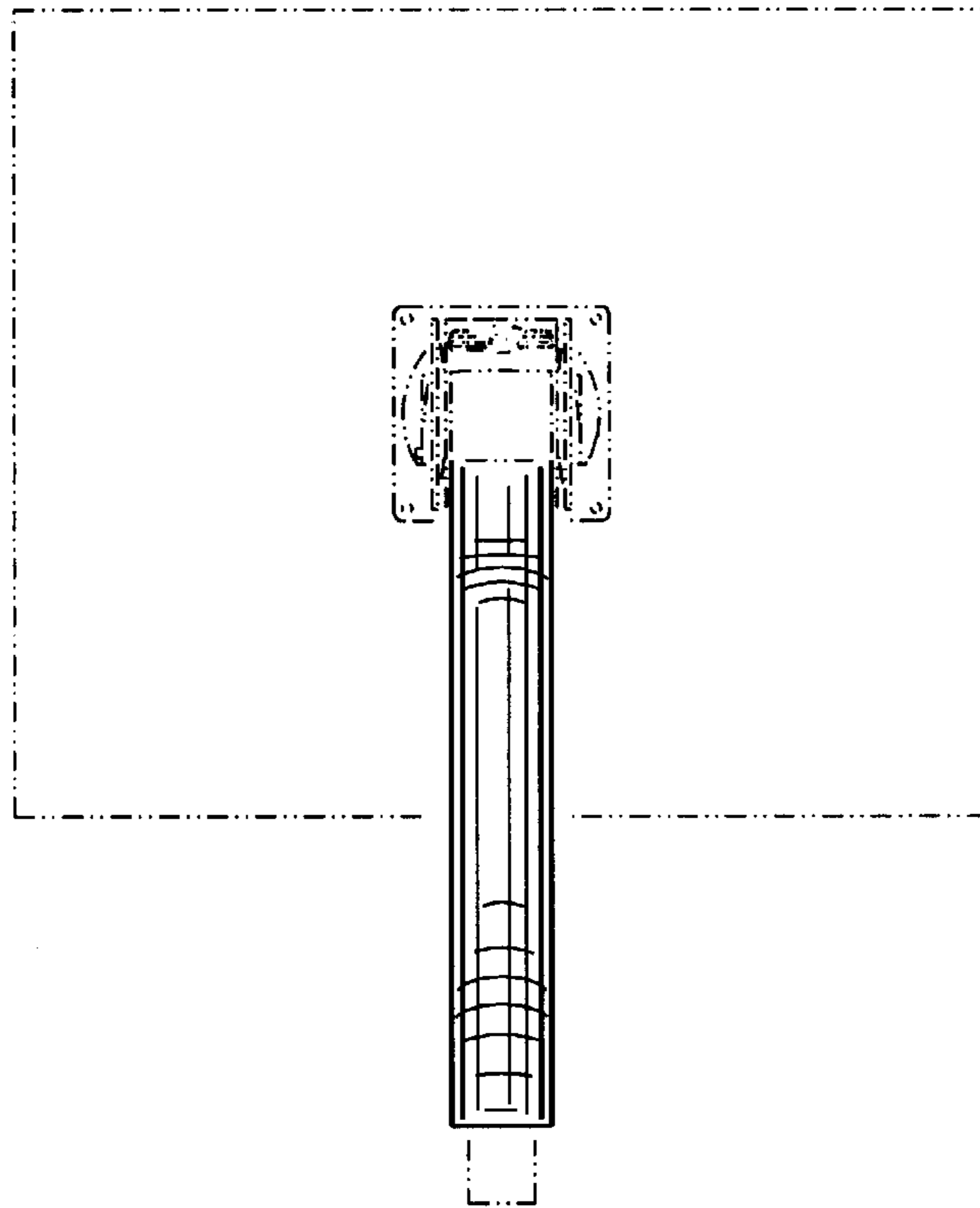


FIG. 5

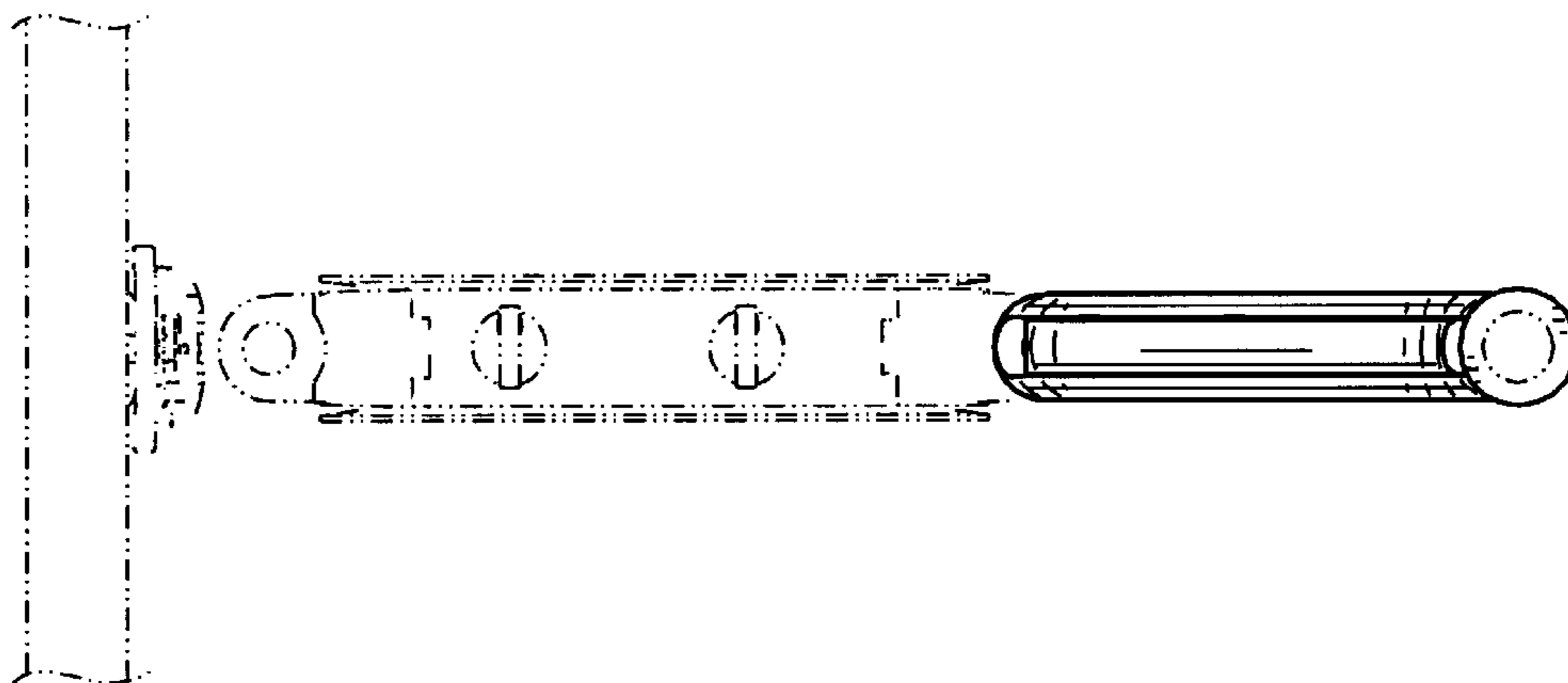


FIG. 7