



US00D522008S

(12) **United States Design Patent**  
**Corbett et al.**

(10) **Patent No.: US D522,008 S**

(45) **Date of Patent: \*\* May 30, 2006**

(54) **DISPLAY BASE**

**DESCRIPTION**

(75) Inventors: **Timothy J Corbett**, Corvallis, OR (US); **Robert M. Schneider**, Corvallis, OR (US); **Mark R Thackray**, Corvallis, OR (US); **Glen A. Oross**, Corvallis, OR (US); **Peter On**, Corvallis, OR (US); **Francois Duval**, Terrebonne (CA); **Ivan Brousseau**, Montreal (CA); **Serge Dubeau**, Laval (CA); **Gad Shaanan**, La Jolla, CA (US)

(73) Assignee: **Hewlett-Packard Development Company, L.P.**, Houston, TX (US)

(\*\*) Term: **14 Years**

(21) Appl. No.: **29/223,929**

(22) Filed: **Feb. 22, 2005**

(51) **LOC (8) Cl.** ..... **08-07**

(52) **U.S. Cl.** ..... **D14/451**

(58) **Field of Classification Search** ..... D14/451, D14/132, 239, 447-48, 126, 299, 257, 375-76, D14/382; D13/123, 162; 248/371, 917, 346.06, 248/923, 922; 700/19, 17, 8, 9, 83; 200/5 R, 200/5 A; 361/681-83, 686, 692, 726, 740, 361/627, 644, 633-37; 345/10, 11

See application file for complete search history.

(56) **References Cited**

**U.S. PATENT DOCUMENTS**

D334,184 S \* 3/1993 Weaver et al. .... D14/447  
D338,468 S \* 8/1993 Rowse ..... D14/239

(Continued)

*Primary Examiner*—Alan P. Douglas  
*Assistant Examiner*—Susan Moon Lee

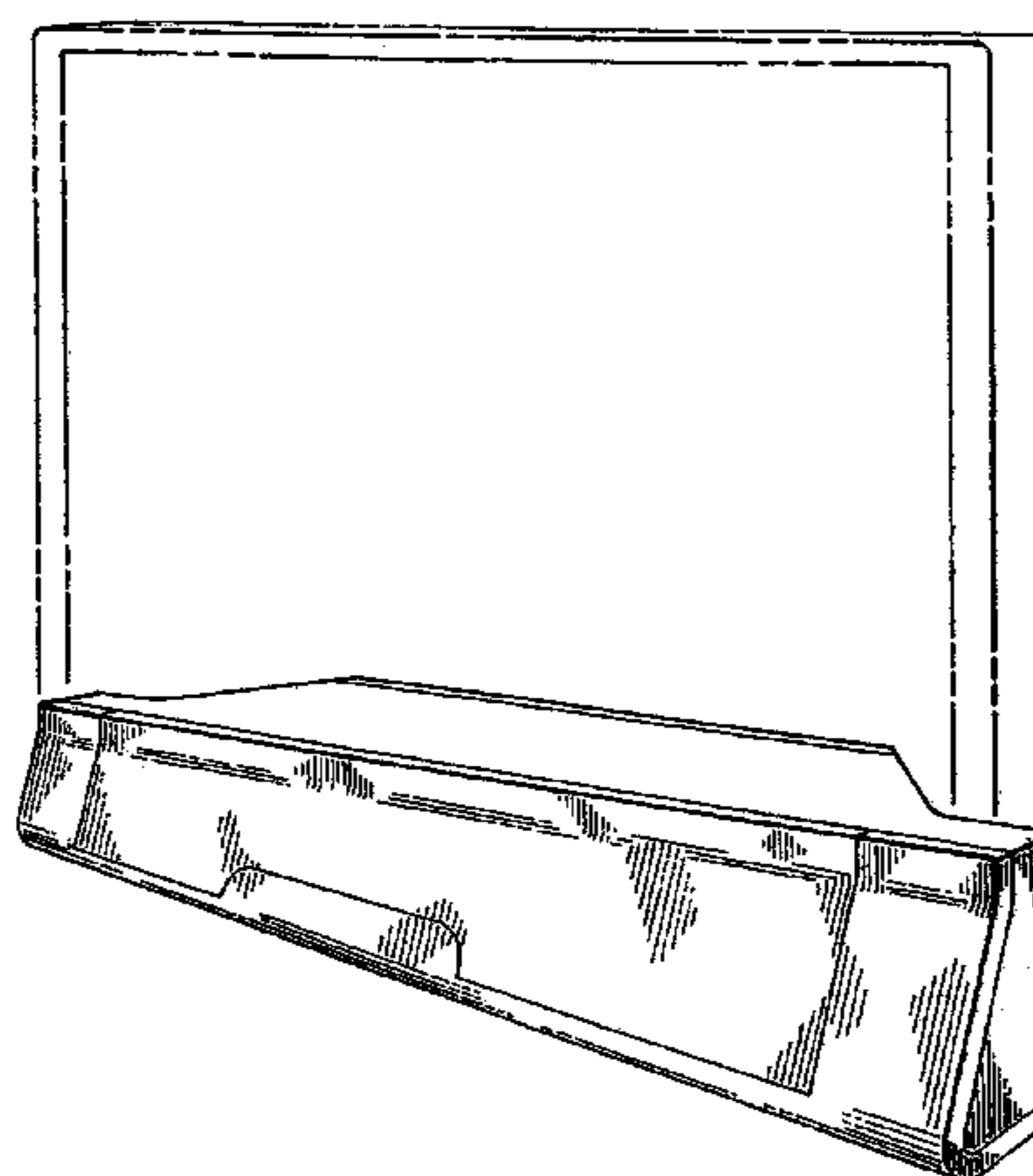
(57) **CLAIM**

The ornamental design for a display base, substantially as shown and described.

FIG. 1 is a perspective view of a display base according to one embodiment of the present invention;  
FIG. 2 is a top plan view of the display base of FIG. 1;  
FIG. 3 is a front elevation view of the display base of FIG. 1;  
FIG. 4 is a bottom plan view of the display base of FIG. 1;  
FIG. 5 is a rear elevation view of the display base of FIG. 1;  
FIG. 6 is a side elevation view of the display base of FIG. 1, the right and left sides being mirror images of one another;  
FIG. 7 is a rear perspective view of the display base of FIG. 1;  
FIG. 8 is a perspective view of the display base of FIG. 1 in which the outer door panel of the display base is in an open position;  
FIG. 9 is a perspective view of a display base according to a second embodiment of the present invention in which all is identical to the display base of FIG. 1 except that an open interior compartment door has been added;  
FIG. 10 is a perspective view of a display base according to a third embodiment of the present invention;  
FIG. 11 is a top plan view of the display base of FIG. 10;  
FIG. 12 is a front elevation view of the display base of FIG. 10;  
FIG. 13 is a bottom plan view of the display base of FIG. 10;  
FIG. 14 is a rear elevation view of the display base of FIG. 10;  
FIG. 15 is a side elevation view of the display base of FIG. 10, the right and left sides being mirror images of one another;  
FIG. 16 is a rear perspective view of the display base of FIG. 10; and,  
FIG. 17 is a perspective view of the display base of FIG. 10 in which a door panel of the display base is in an open position.

The broken lines in FIGS. 1, 8, 9, 16, and 17 are for illustrative purposes only and form no part of the claimed design. The blank, central portion of the top surface of the display base as illustrated in FIGS. 1, 2, 7-10, and 14-17 forms no part of the claimed design.

**1 Claim, 7 Drawing Sheets**



# US D522,008 S

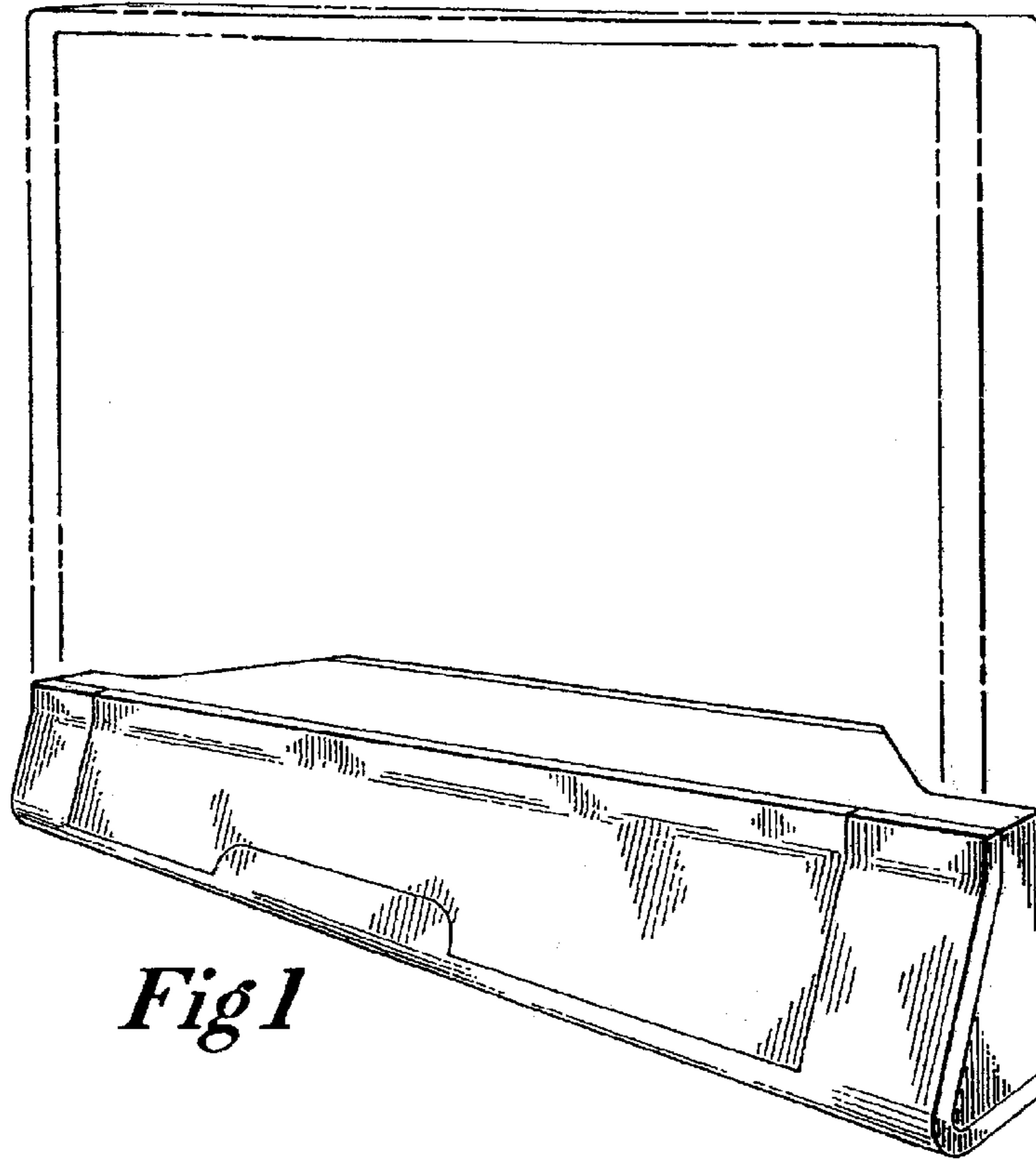
Page 2

---

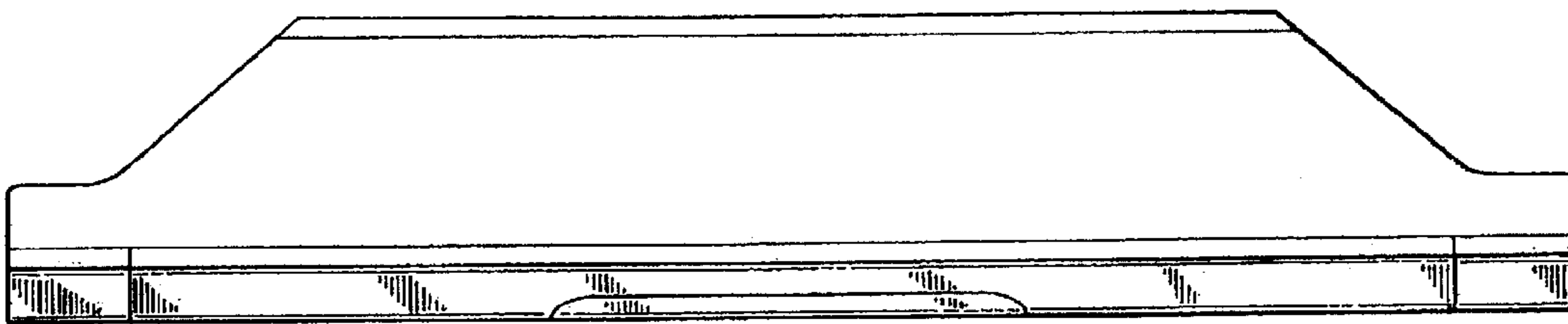
## U.S. PATENT DOCUMENTS

D352,932 S	*	11/1994	Pangburn et al. ....	D14/380	D421,747 S	*	3/2000	Takizawa .....	D14/375
D355,649 S	*	2/1995	Gale et al. ....	D14/128	D424,518 S	*	5/2000	Chin-Kuan et al. ....	D13/123
D364,855 S	*	12/1995	Onoda .....	D14/375	6,094,340 A	*	7/2000	Min .....	361/681
D368,706 S	*	4/1996	Mieki .....	D14/451	D437,837 S	*	2/2001	Harrison et al. ....	D14/132
D374,445 S	*	10/1996	Artus .....	D14/299	D438,543 S	*	3/2001	Goto .....	D14/447
5,569,052 A	*	10/1996	Belt et al. ....	439/638	6,275,375 B1	*	8/2001	Nam .....	361/682
D394,248 S	*	5/1998	Duan .....	D14/375	D452,867 S	*	1/2002	Goto .....	D14/447
D395,425 S	*	6/1998	Sugita .....	D14/451	6,356,793 B1	*	3/2002	Martin .....	700/19
D404,026 S	*	1/1999	Hasegawa .....	D14/375	D457,506 S	*	5/2002	Scribner .....	D14/132
D416,007 S	*	11/1999	Cavello .....	D14/451	D474,163 S	*	5/2003	Araki .....	D14/126

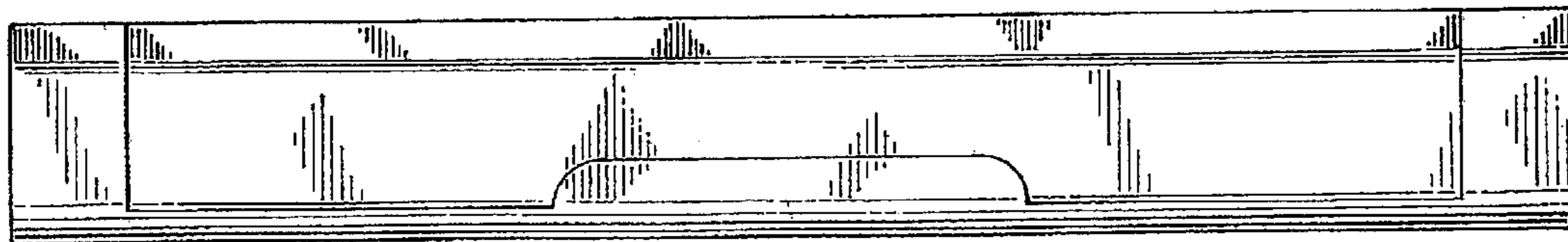
\* cited by examiner



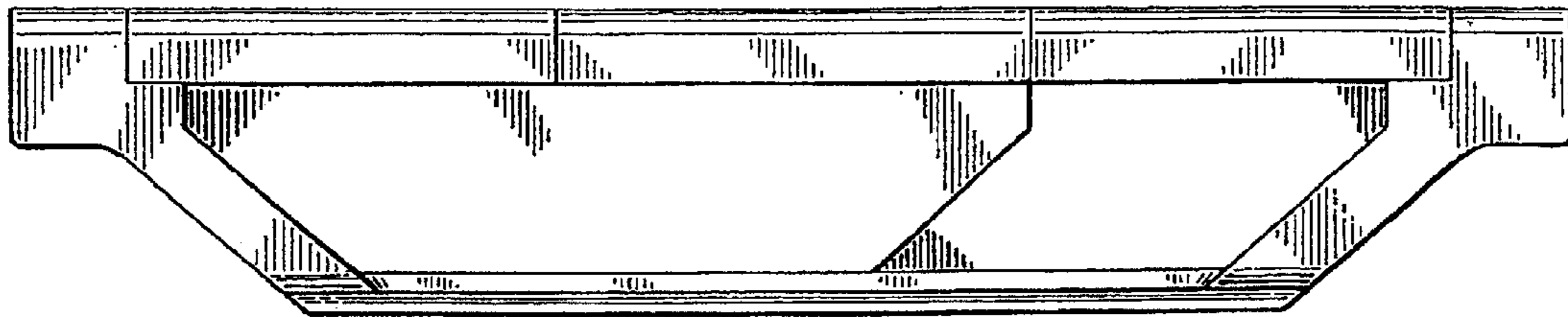
*Fig 1*



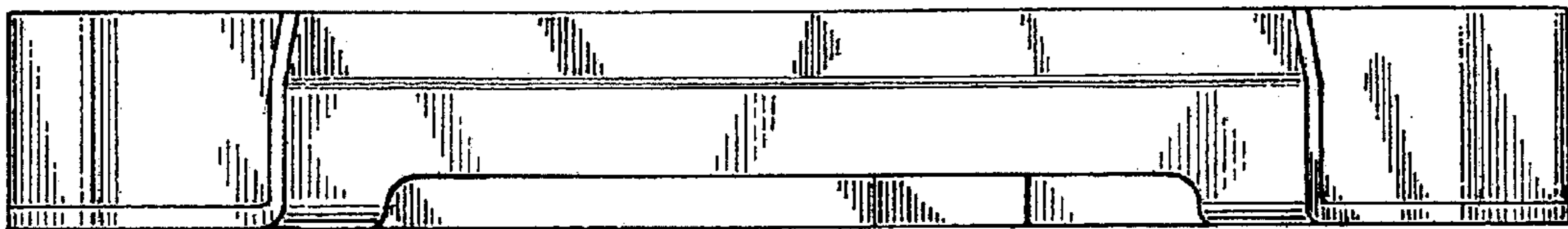
*Fig 2*



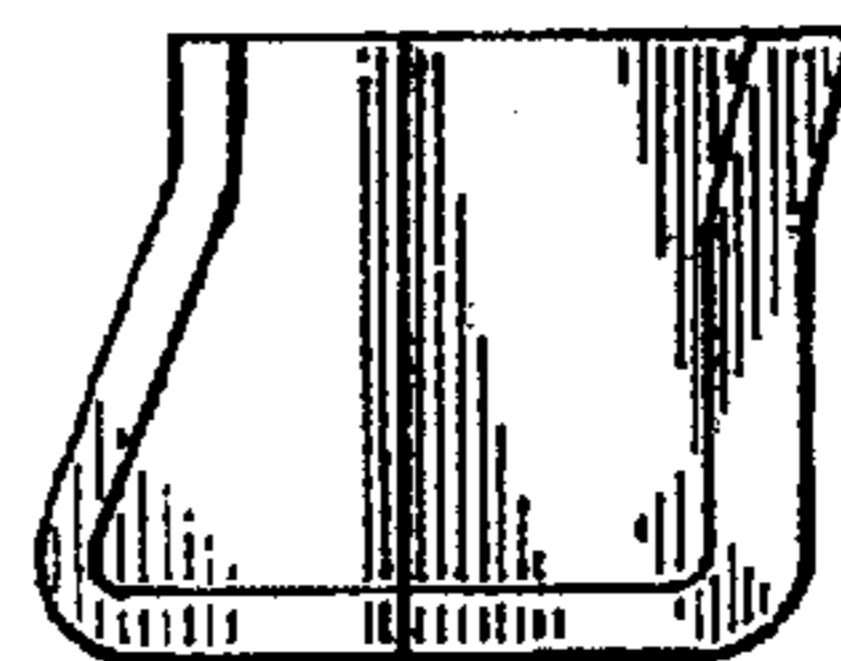
*Fig 3*



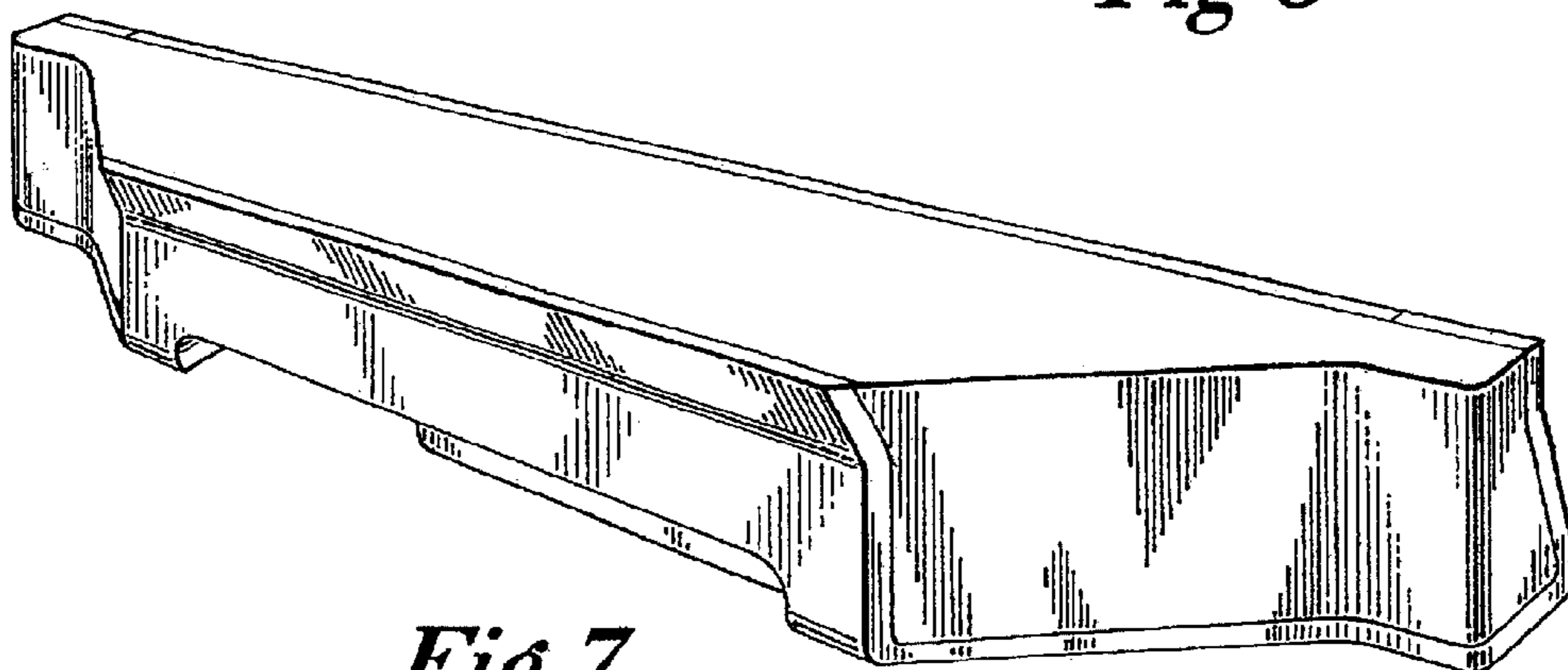
*Fig 4*



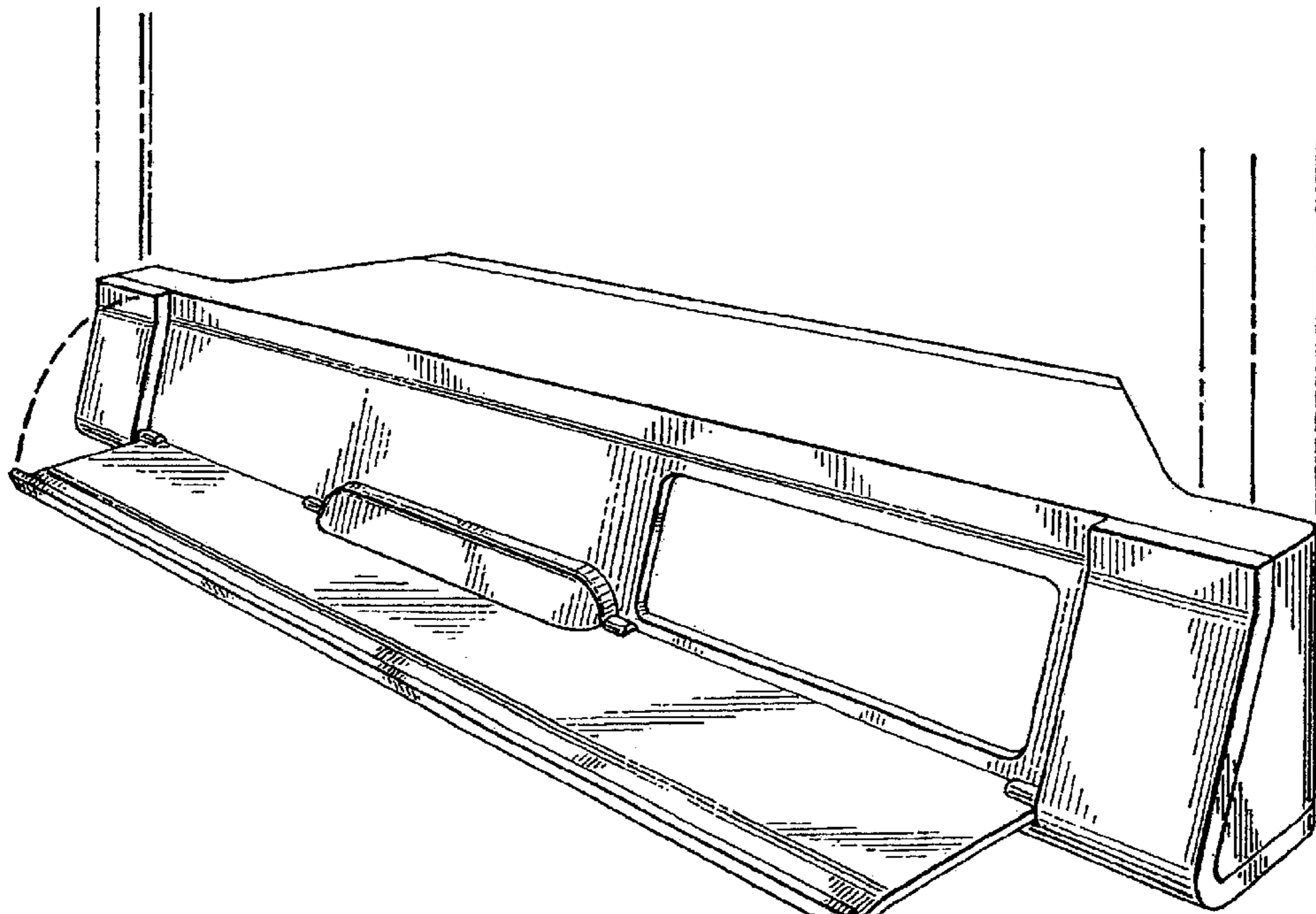
*Fig 5*



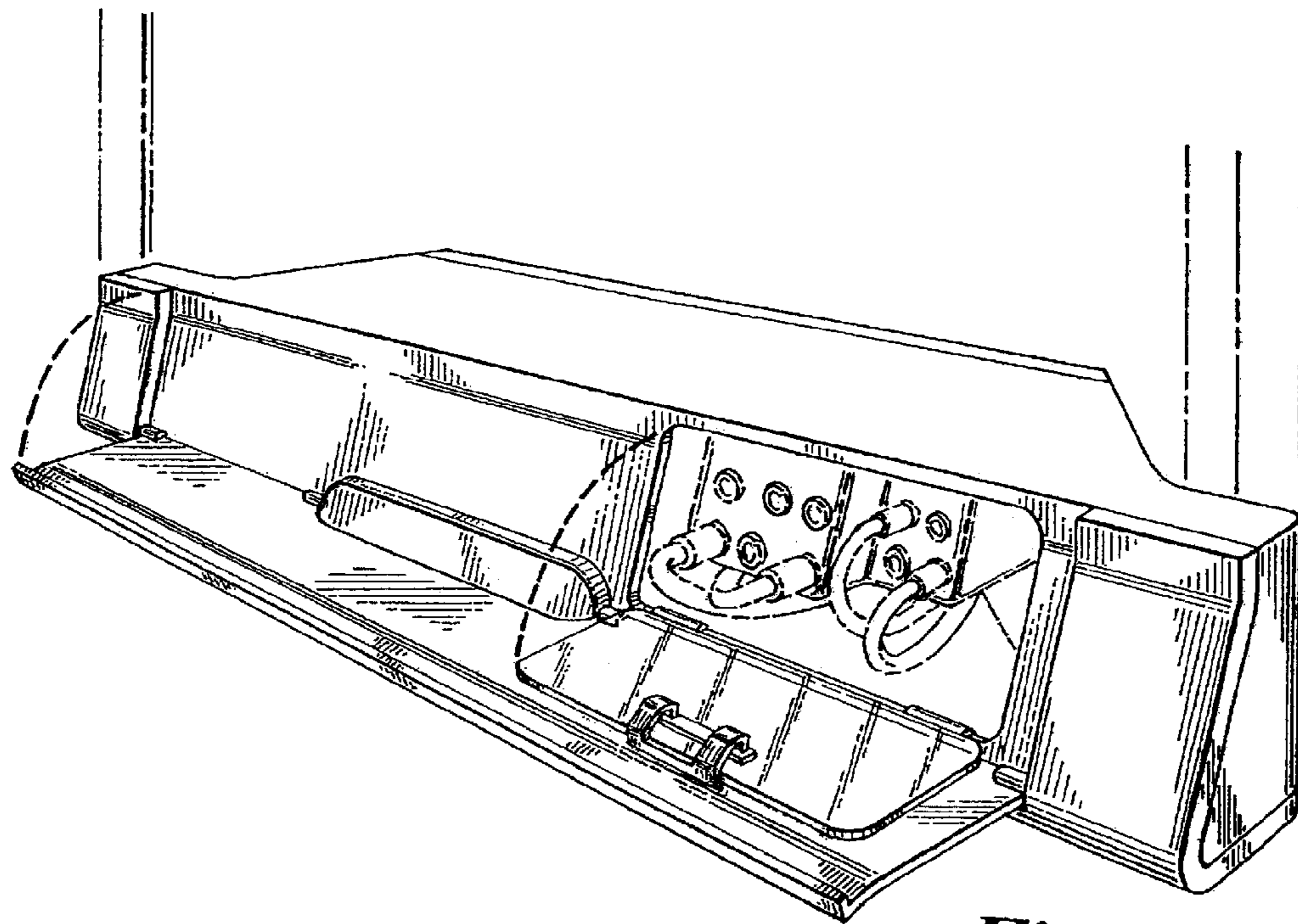
*Fig 6*



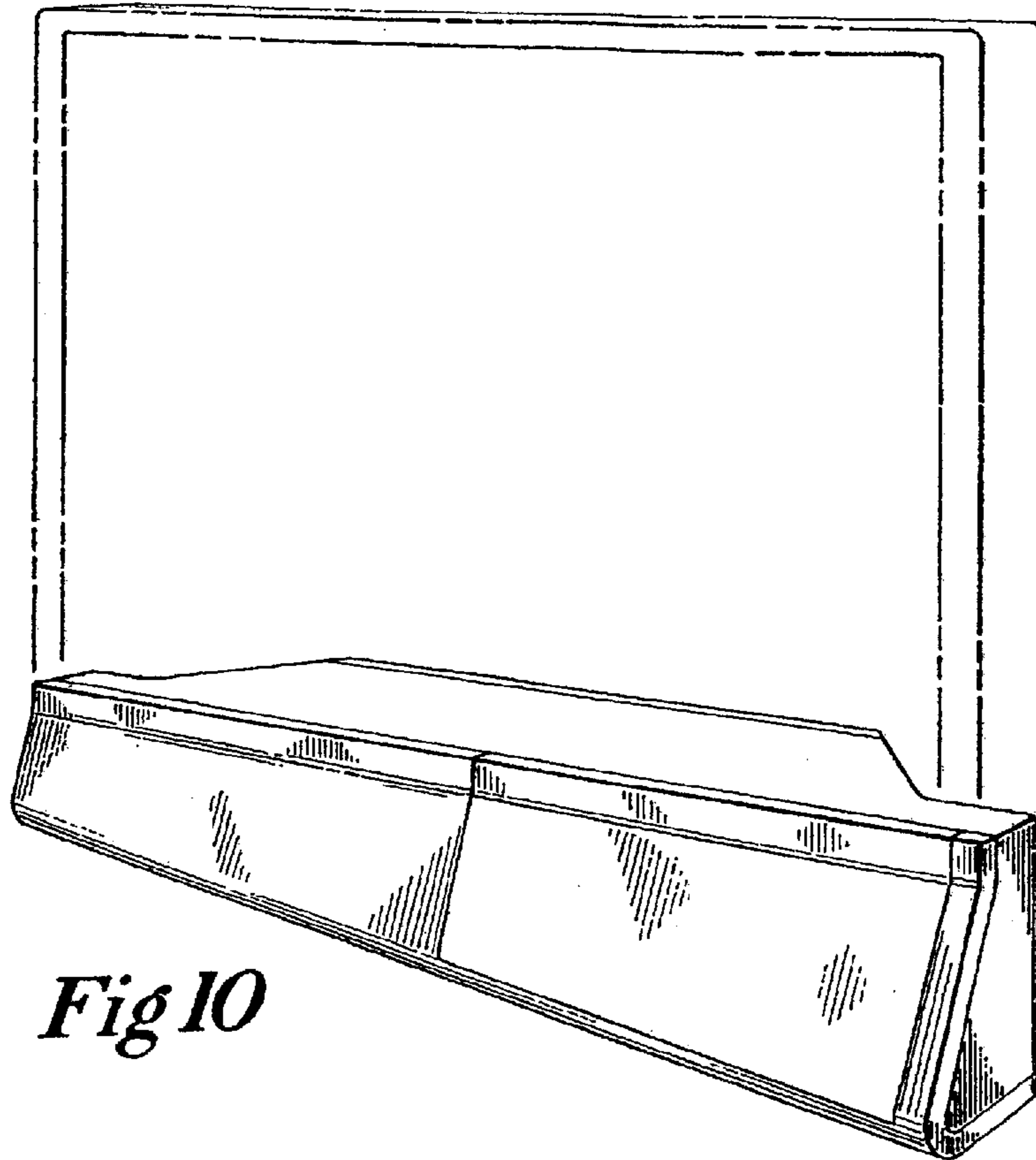
*Fig 7*



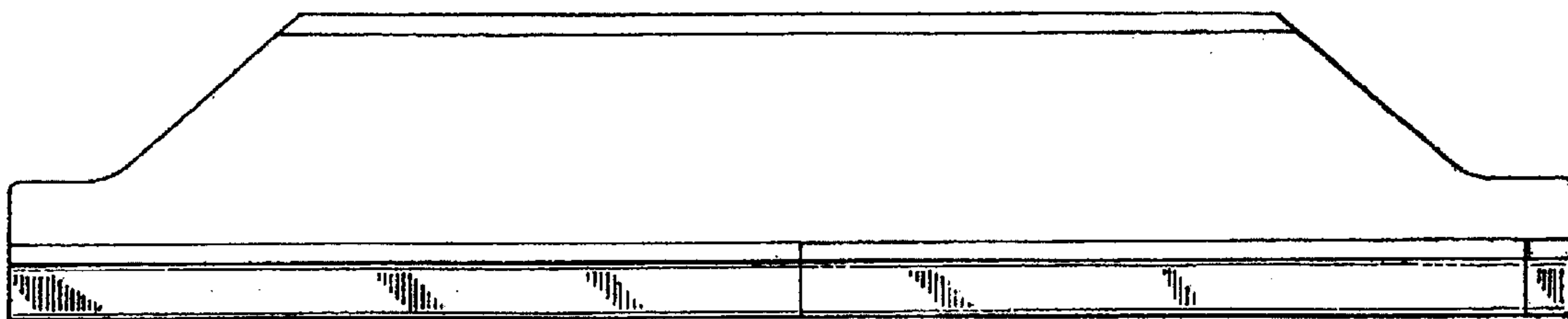
*Fig 8*



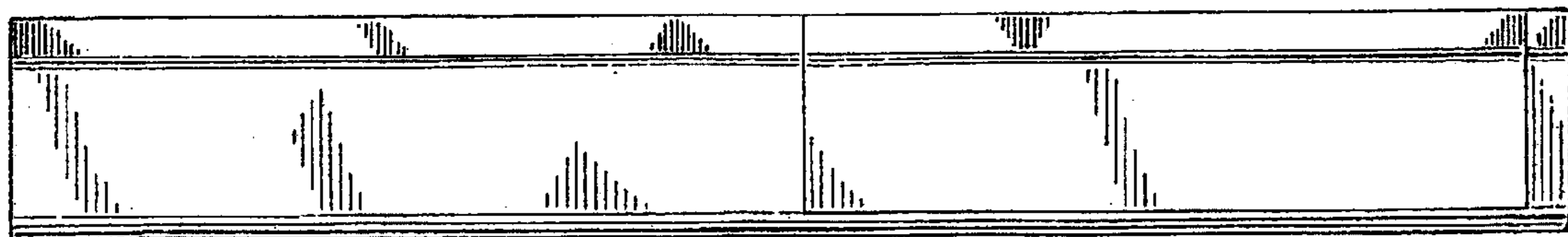
*Fig 9*



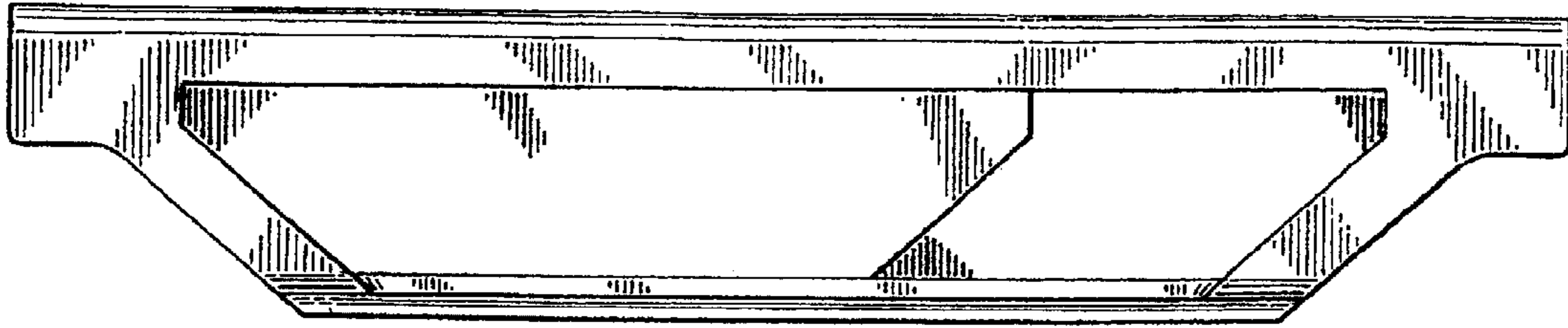
*Fig 10*



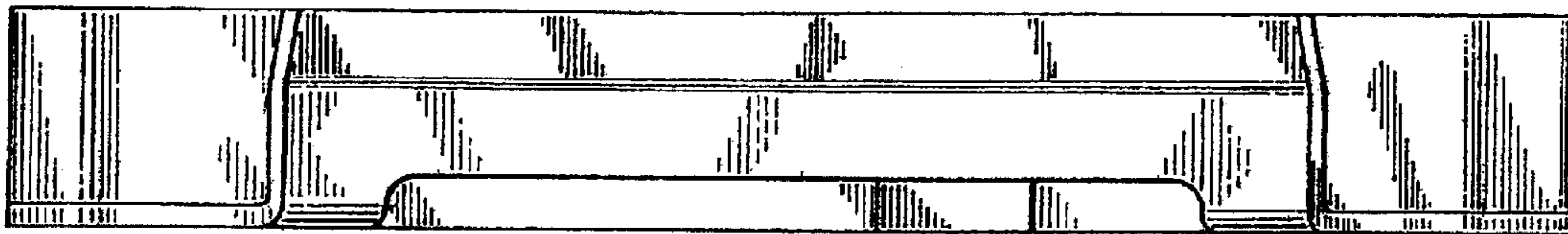
*Fig 11*



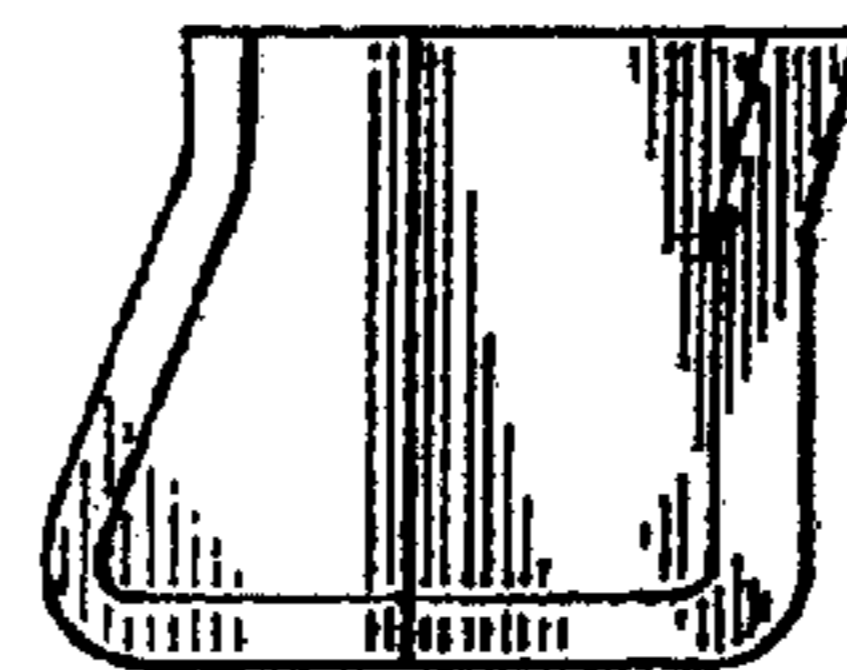
*Fig 12*



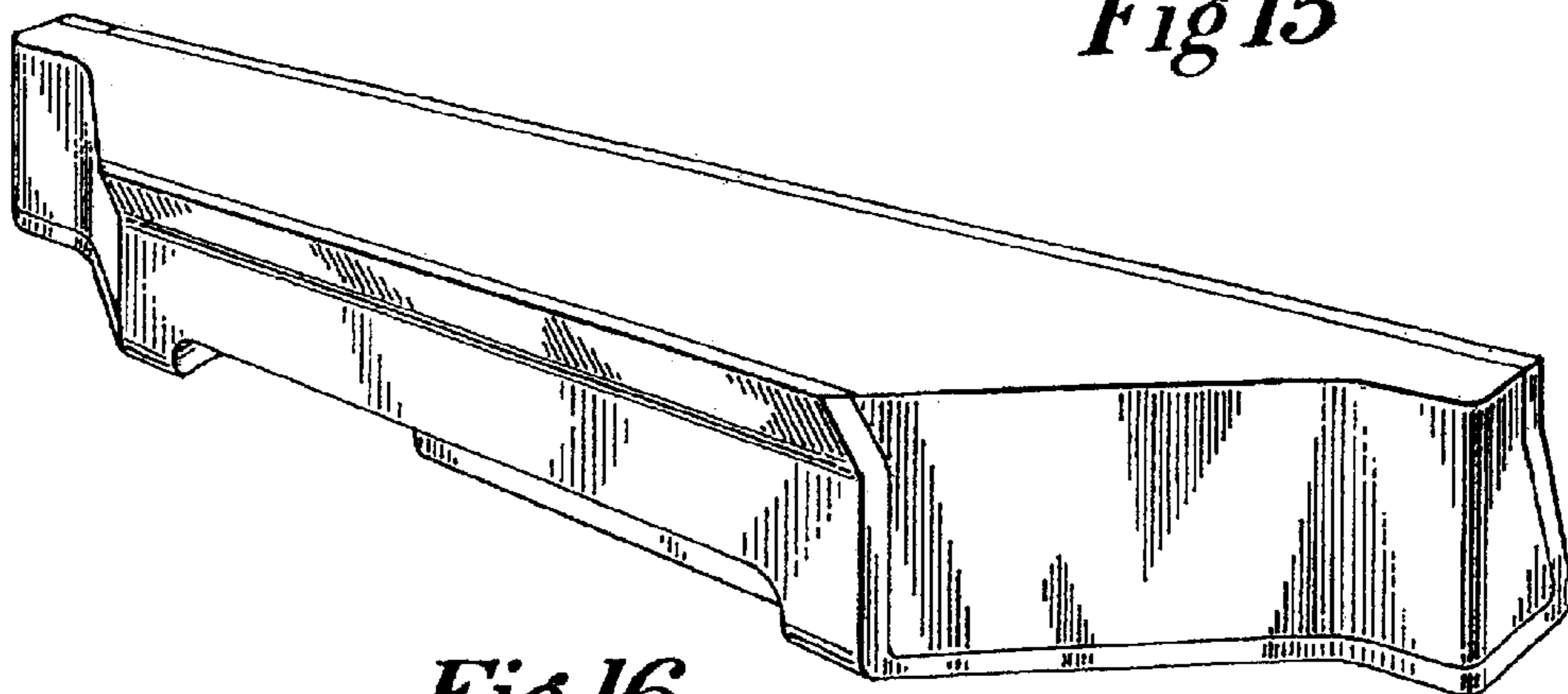
*Fig 13*



*Fig 14*

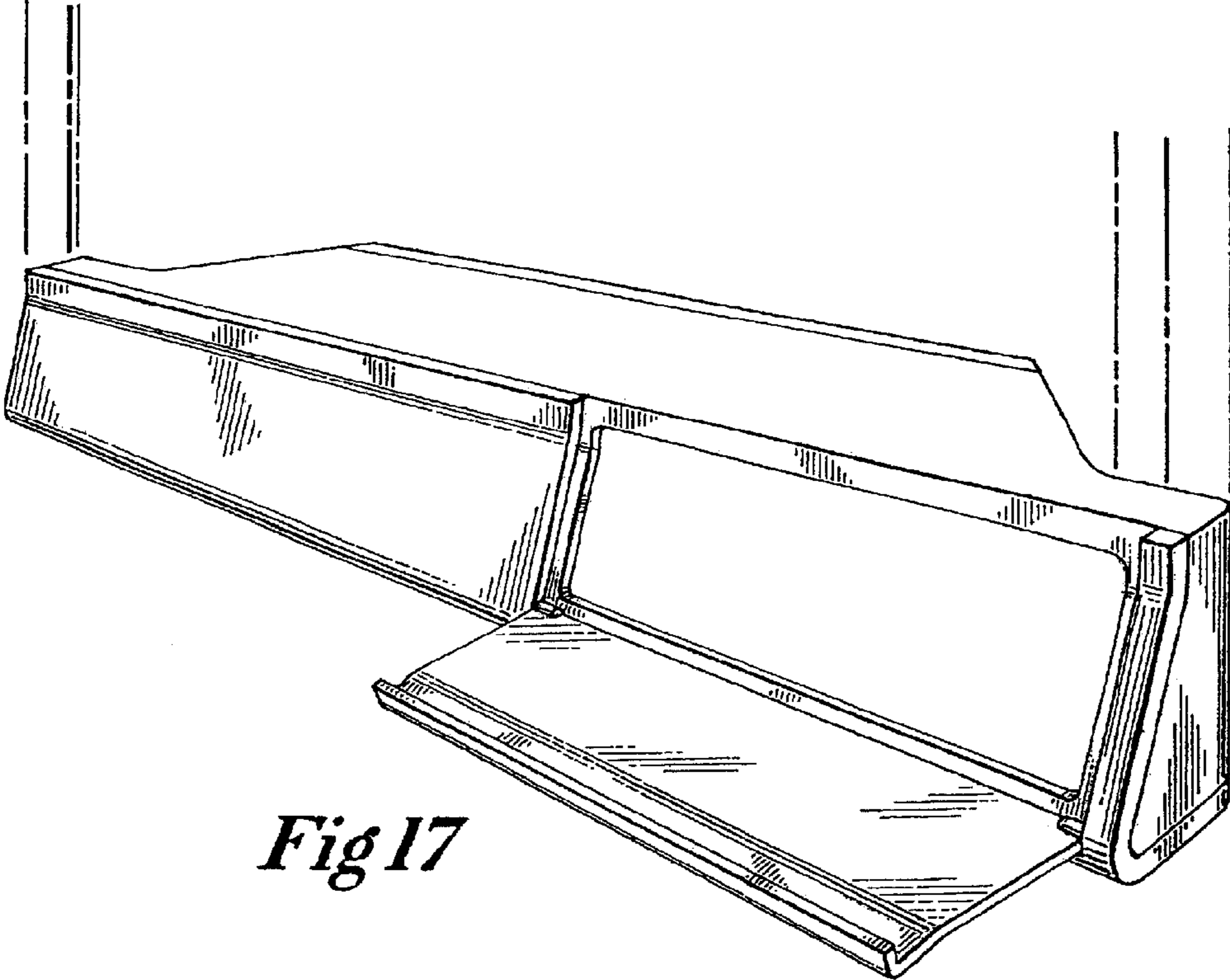


*Fig 15*



*Fig 16*





*Fig 17*