



US00D522003S

(12) **United States Design Patent**  
**Kuang et al.**

(10) **Patent No.:** **US D522,003 S**

(45) **Date of Patent:** **\*\* May 30, 2006**

(54) **COMPUTER FRONT BEZEL**

D476,992 S \* 7/2003 Chien et al. .... D14/444

(75) Inventors: **Xue-Cheng Kuang**, Shenzhen (CN);  
**Chun-Chi Liang**, Tu-Chen (TW);  
**Yun-Dong Xu**, Shenzhen (CN)

\* cited by examiner

*Primary Examiner*—Freda S. Nunn

(74) *Attorney, Agent, or Firm*—Wei Te Chung

(73) Assignee: **Hon Hai Precision Ind. Co., Ltd.**,  
Taipei Hsien (TW)

(57) **CLAIM**

The ornamental design for a computer front bezel, as shown and described.

(\*\*) Term: **14 Years**

(21) Appl. No.: **29/220,452**

**DESCRIPTION**

(22) Filed: **Dec. 29, 2004**

FIG. 1 is a perspective view of a computer front bezel of our new design;

(51) **LOC (8) Cl.** ..... **14-02**

FIG. 2 is a front elevational view thereof;

(52) **U.S. Cl.** ..... **D14/441**

FIG. 3 is a rear elevational view thereof;

(58) **Field of Classification Search** ..... D14/441-446;

FIG. 4 is a left side elevational view thereof;

D13/162, 184, 199; 312/223.2; 360/680-686,

FIG. 5 is a right side elevational view thereof;

360/690-696

FIG. 6 is a top plan view thereof;

See application file for complete search history.

FIG. 7 is a bottom plan view thereof; and,

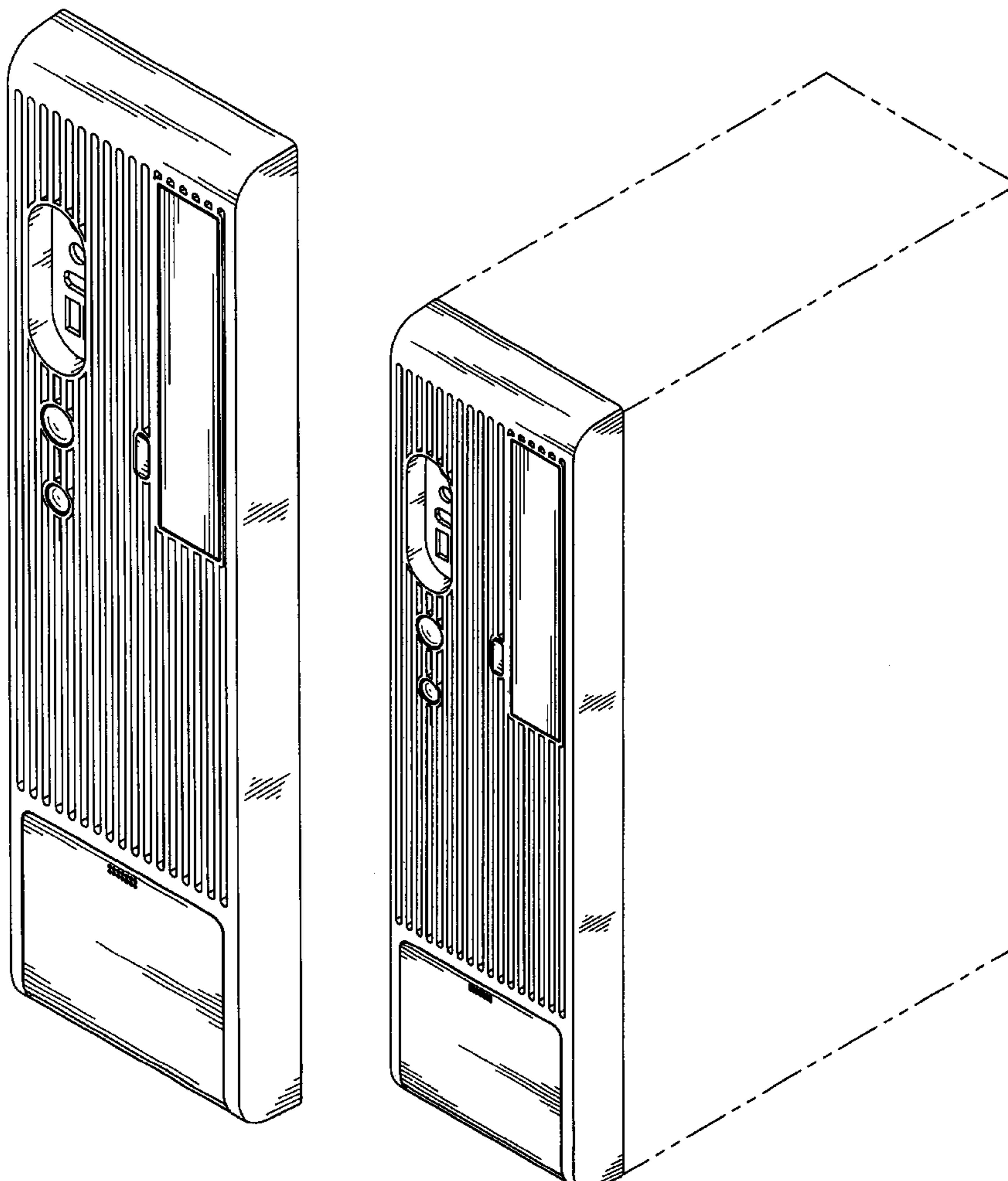
FIG. 8 is a perspective view thereof being mounted to a computer case which is shown in broken lines for illustrative purposes only and forms no part of the claimed design.

(56) **References Cited**

**U.S. PATENT DOCUMENTS**

D474,186 S \* 5/2003 Frank et al. .... D14/444

**1 Claim, 6 Drawing Sheets**



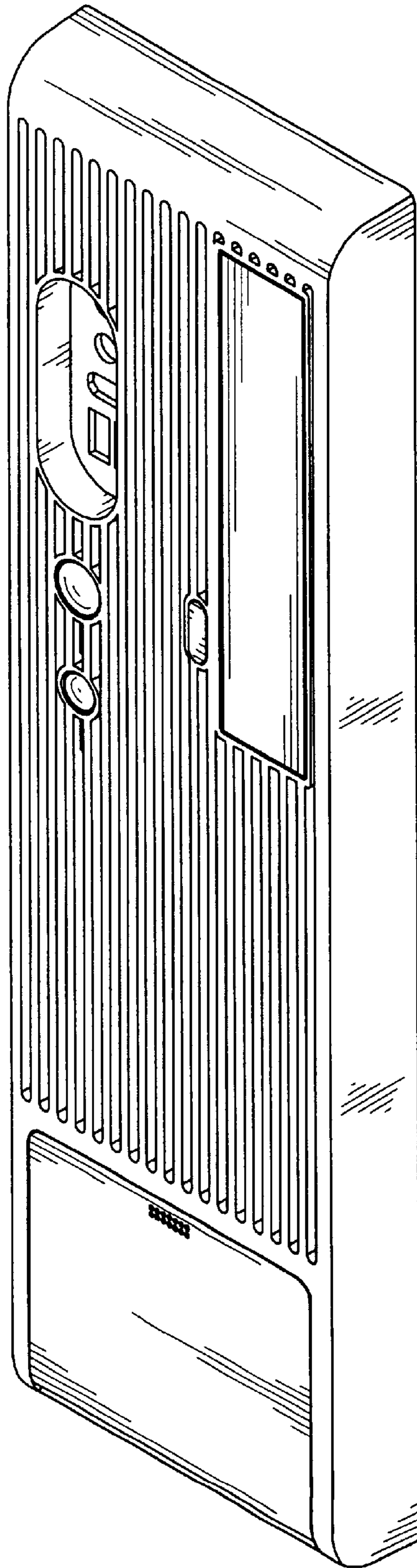


FIG. 1

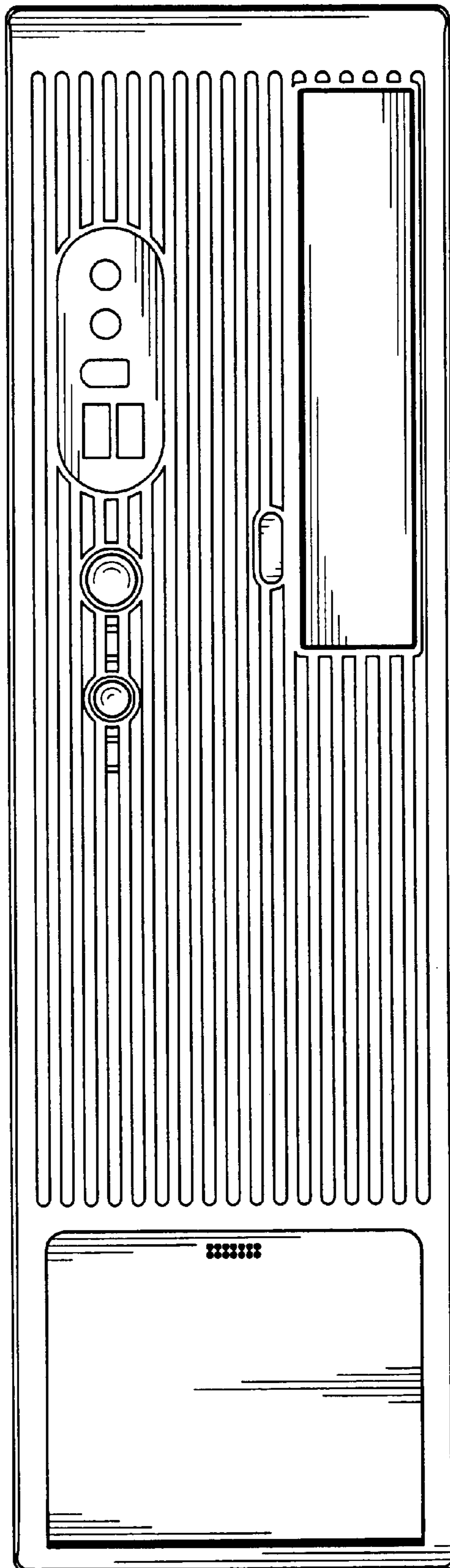


FIG. 2

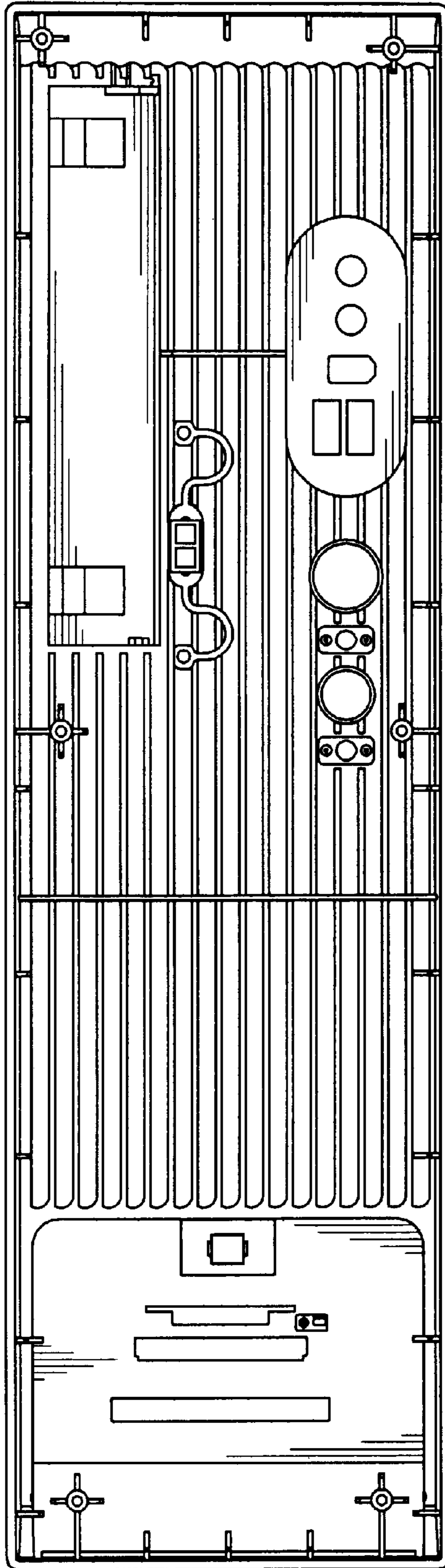


FIG. 3

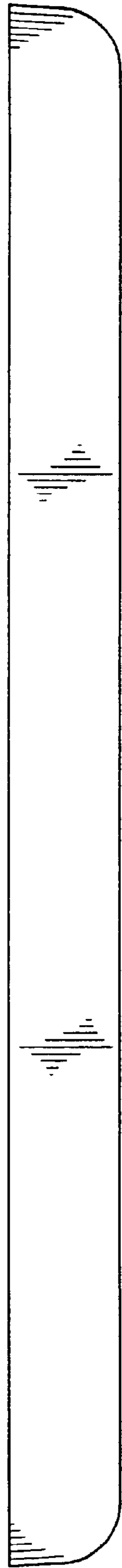


FIG. 4



FIG. 5

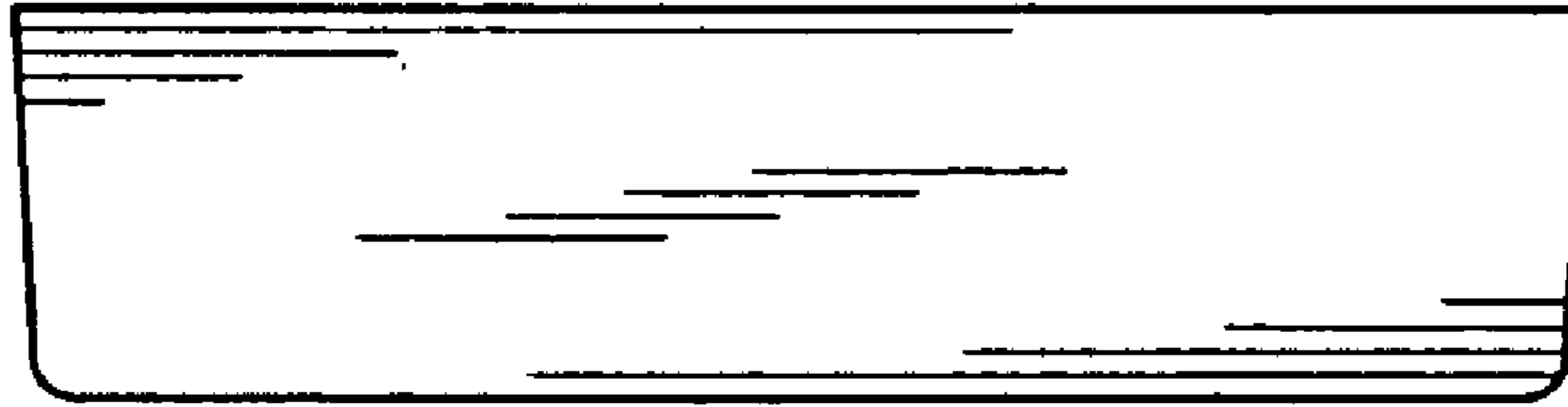


FIG. 6

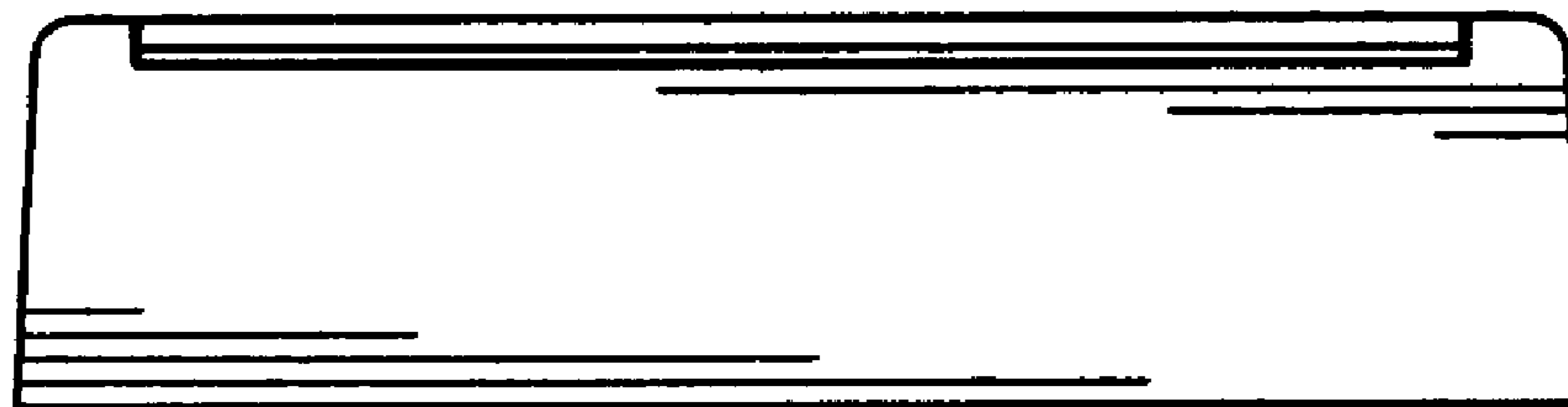


FIG. 7

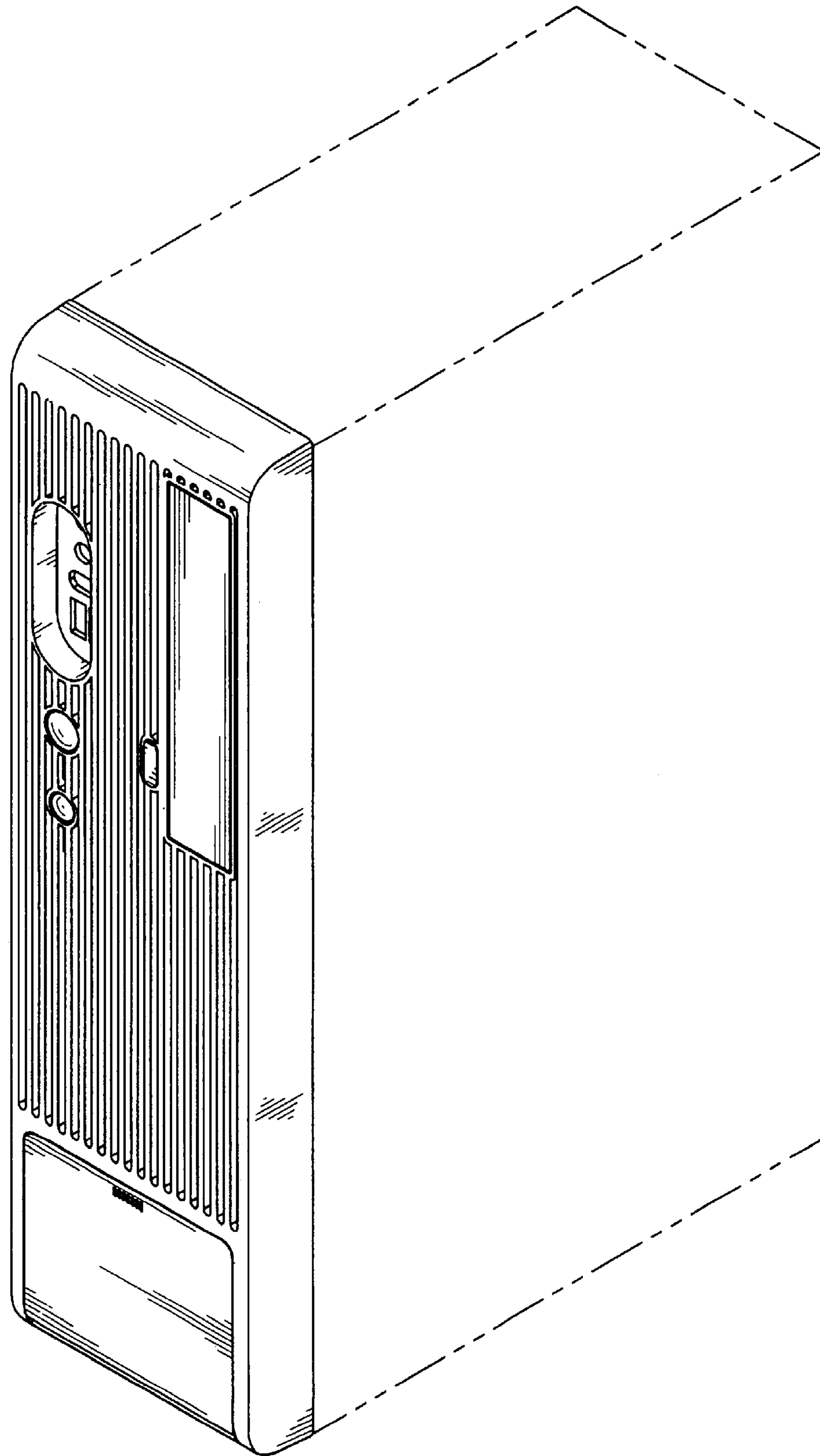


FIG. 8