



US00D522002S

(12) **United States Design Patent**  
**Cheng**

(10) **Patent No.:** **US D522,002 S**

(45) **Date of Patent:** **\*\* May 30, 2006**

(54) **COOLING PAD FOR NOTEBOOK  
COMPUTER**

(76) Inventor: **Henry Cheng**, No. 5, Lane 121,  
Longsiao St., Gueishan Township,  
Taoyuan County 333 (TW)

(\*\*) Term: **14 Years**

(21) Appl. No.: **29/224,336**

(22) Filed: **Mar. 2, 2005**

(51) **LOC (8) Cl.** ..... **14-02**

(52) **U.S. Cl.** ..... **D14/439**

(58) **Field of Classification Search** ..... 361/686-88,  
361/690-97, 695, 681, 683, 679, 715; D14/439,  
D14/447; 320/115; 165/80.3; 248/349.1,  
248/918; 454/184; D23/314, 332, 355, 370,  
D23/386-87

See application file for complete search history.

6,549,406 B1 \* 4/2003 Olesiewicz et al. .... 361/695  
6,654,237 B1 \* 11/2003 Lee ..... 361/683  
6,682,040 B1 \* 1/2004 MacEachern ..... 248/349.1  
6,687,123 B1 \* 2/2004 Kitahara ..... 361/695  
6,705,215 B1 \* 3/2004 Underwood ..... 100/38  
2001/0008480 A1 \* 7/2001 Huang ..... 361/687  
2002/0186531 A1 \* 12/2002 Pokharna et al. .... 361/687  
2003/0161102 A1 \* 8/2003 Lee et al. .... 361/687  
2003/0174467 A1 \* 9/2003 Lu ..... 361/695  
2003/0210523 A1 \* 11/2003 Tuttle et al. .... 361/687  
2003/0231466 A1 \* 12/2003 Huang ..... 361/687

\* cited by examiner

*Primary Examiner*—Alan P. Douglas

*Assistant Examiner*—Susan Moon Lee

(74) *Attorney, Agent, or Firm*—Birch Stewart Kolasch &  
Birch LLP

(57) **CLAIM**

The ornamental design for a cooling pad for notebook  
computer, as shown and described.

(56) **References Cited**

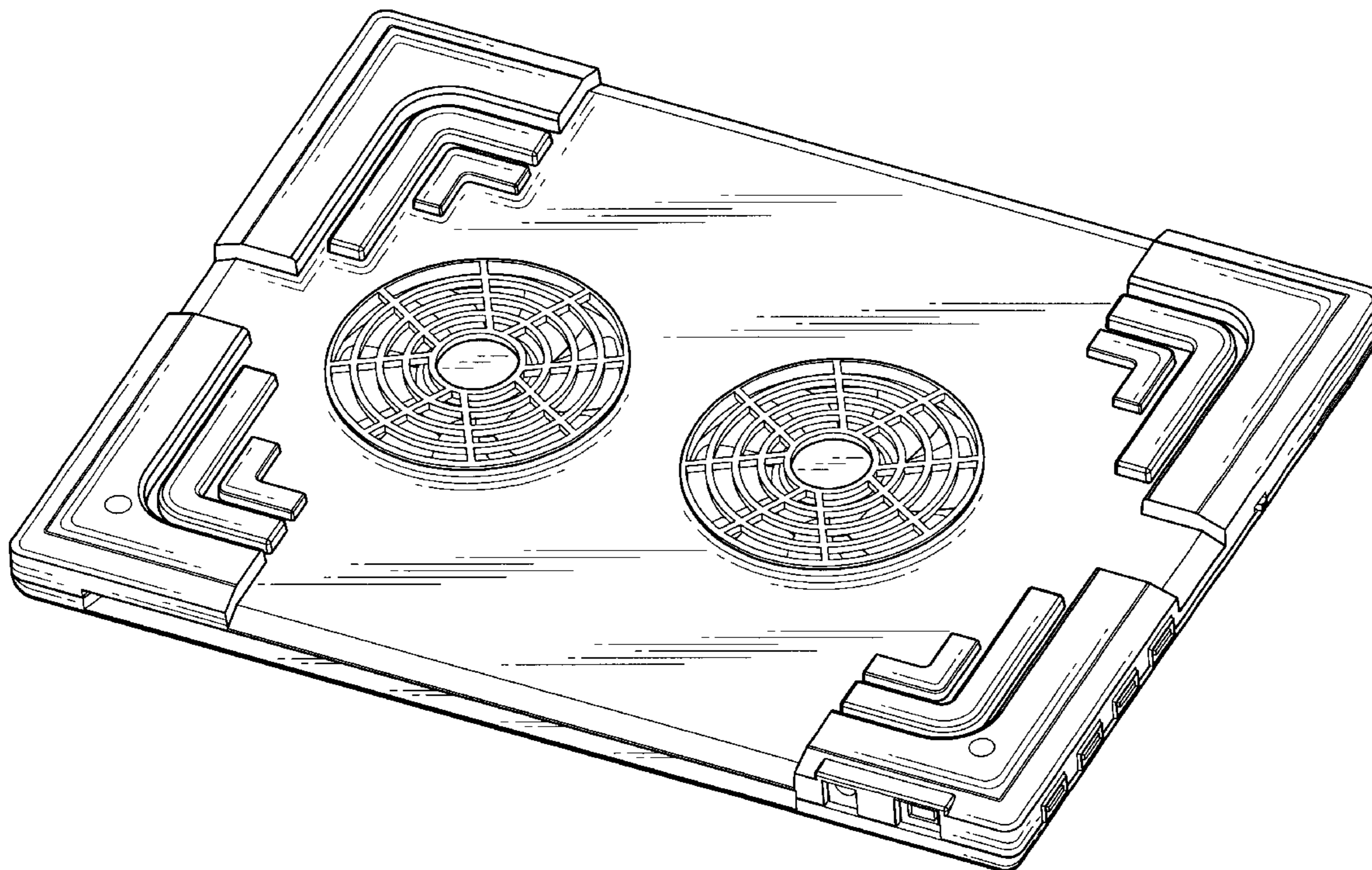
**U.S. PATENT DOCUMENTS**

5,876,278 A \* 3/1999 Cheng ..... 454/184  
D407,714 S \* 4/1999 Yeh ..... D14/439  
6,071,082 A \* 6/2000 Lecinski et al. .... 417/53  
6,170,563 B1 \* 1/2001 Hsieh ..... 165/122  
6,233,148 B1 \* 5/2001 Shen ..... 361/695  
6,236,564 B1 \* 5/2001 Fan ..... 361/695  
6,239,971 B1 \* 5/2001 Yu et al. .... 361/695  
6,252,770 B1 \* 6/2001 Yu et al. .... 361/695  
6,414,845 B1 \* 7/2002 Bonet ..... 361/695  
6,474,614 B1 \* 11/2002 MacEachern ..... 248/349.1

**DESCRIPTION**

FIG. 1 is a perspective view thereof;  
FIG. 2 is a front elevational view thereof;  
FIG. 3 is a rear elevational view thereof;  
FIG. 4 is a right side elevational view thereof;  
FIG. 5 is a left side elevational view thereof;  
FIG. 6 is a top plan view thereof;  
FIG. 7 is a bottom plan view thereof; and,  
FIG. 8 is a rear perspective view thereof.

**1 Claim, 8 Drawing Sheets**



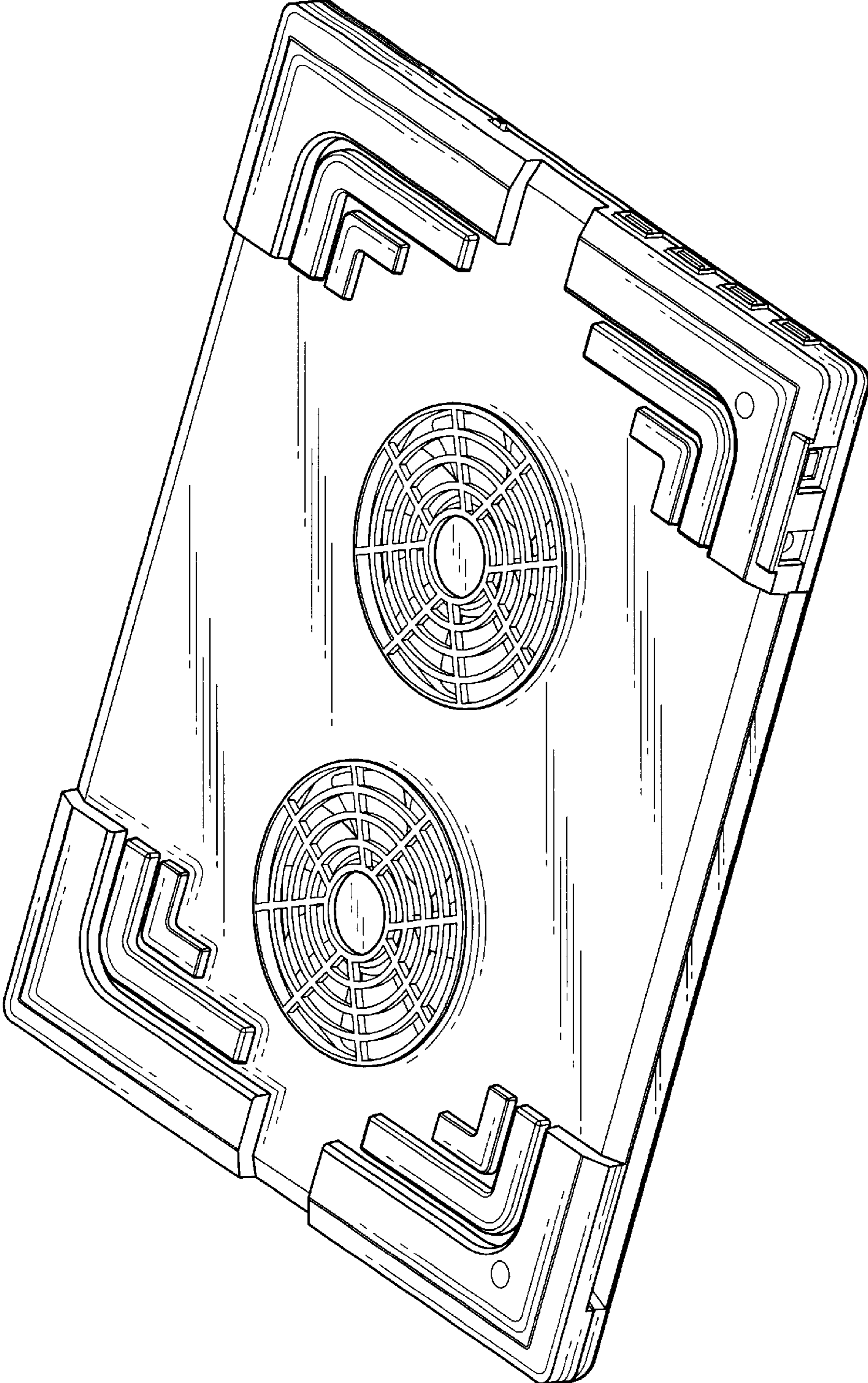


FIG. 1

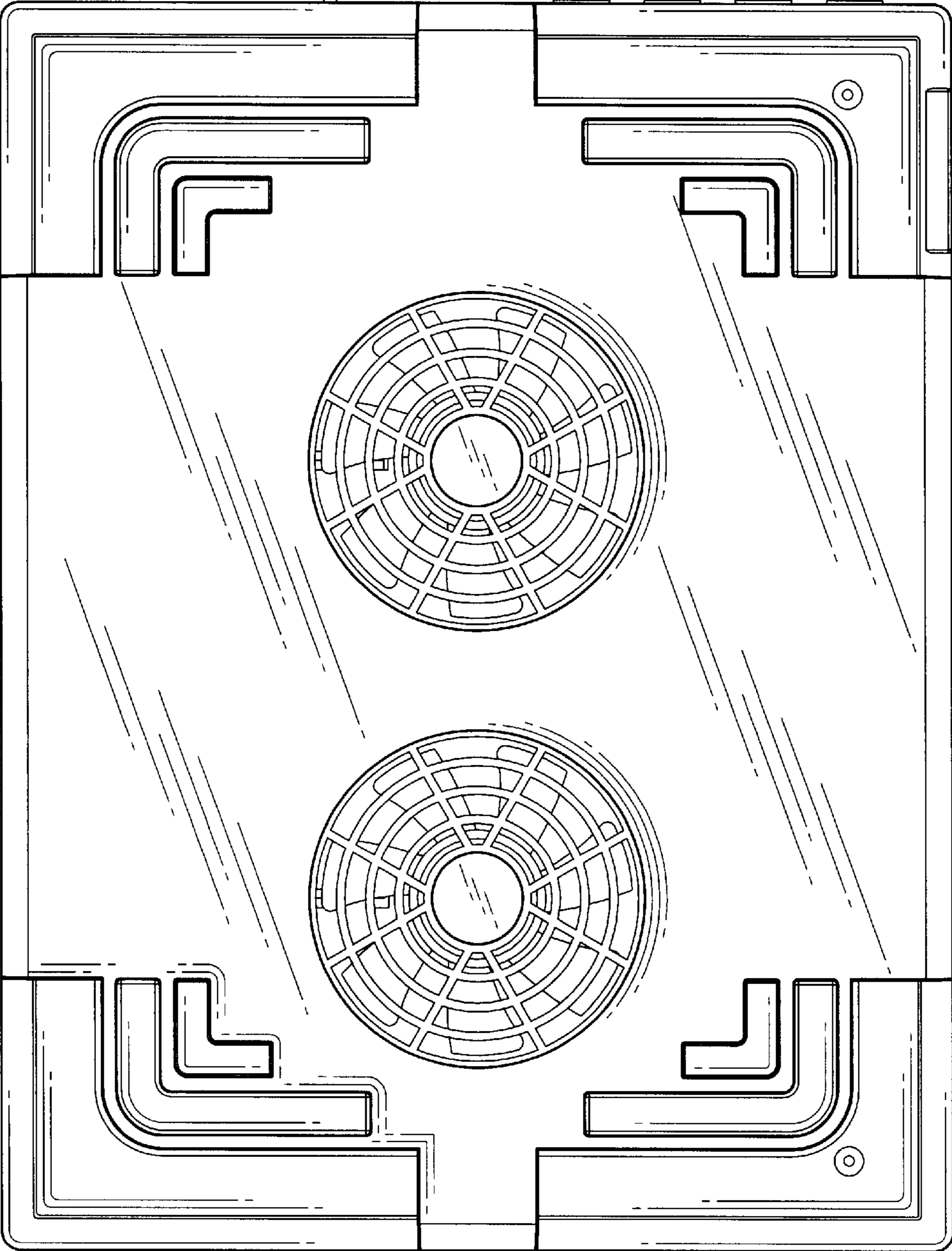


FIG. 2

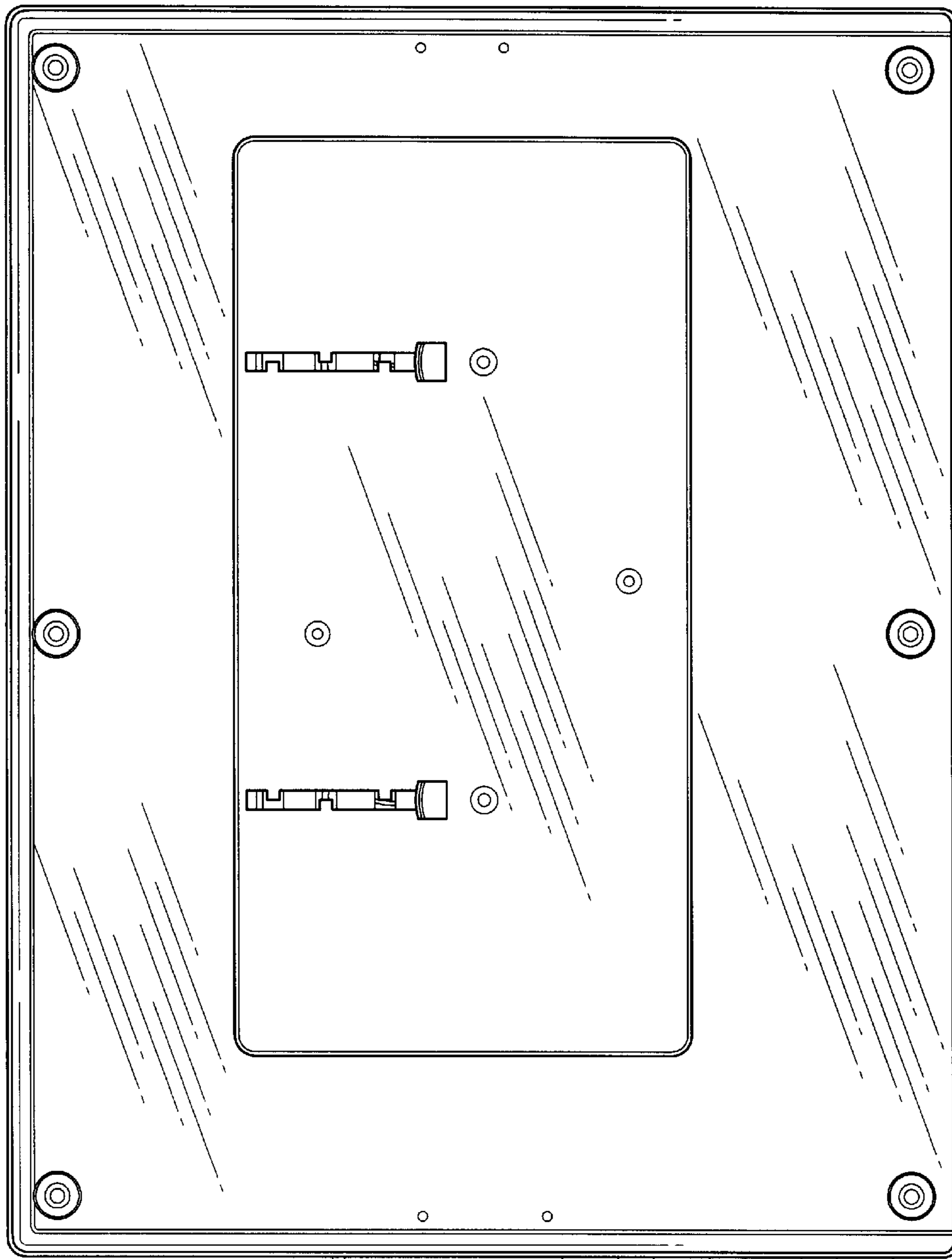


FIG. 3

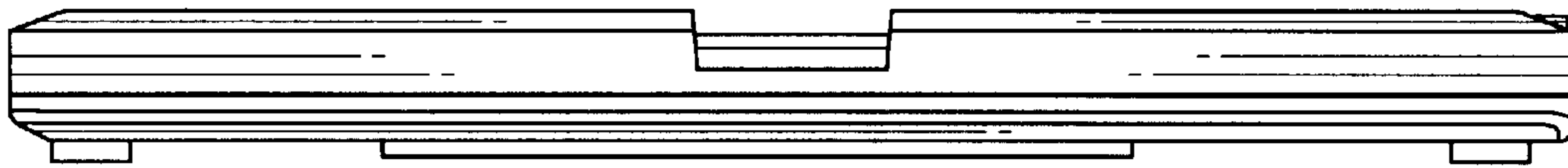


FIG. 4

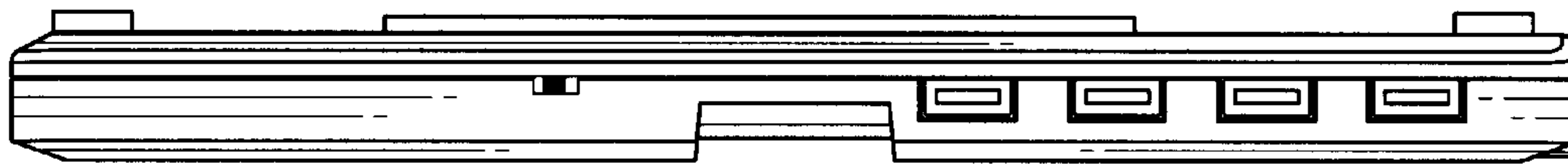


FIG. 5

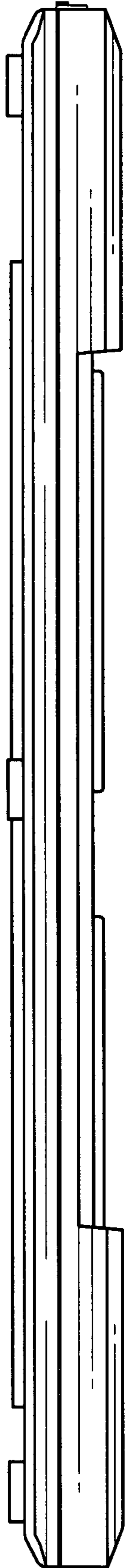


FIG. 6

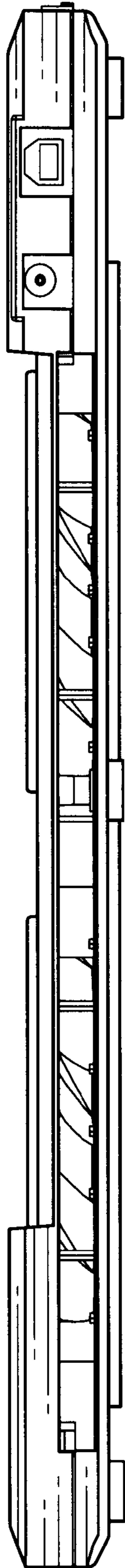


FIG. 7



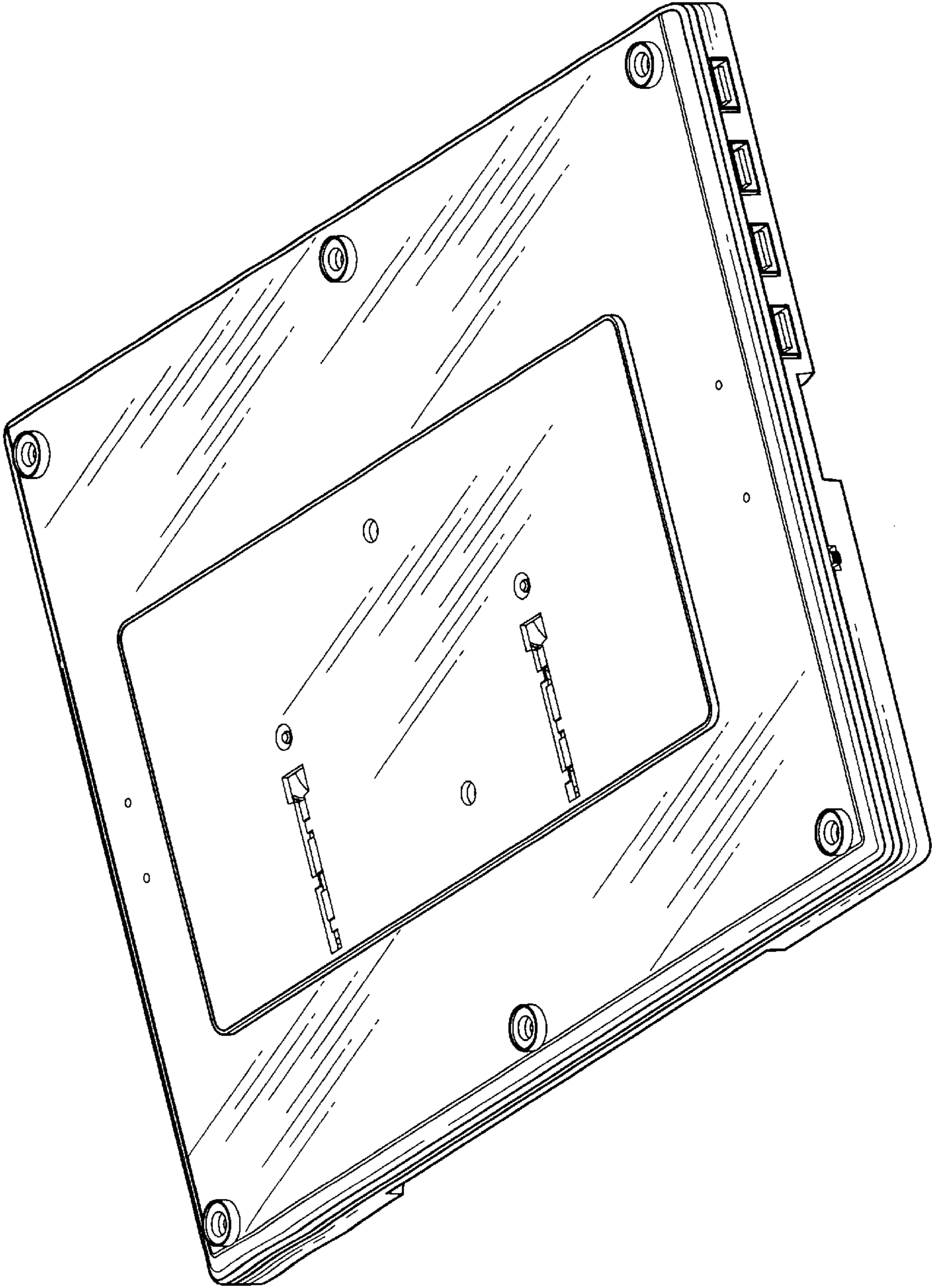


FIG. 8