



US00D522000S

(12) **United States Design Patent**
Hussaini et al.

(10) **Patent No.:** **US D522,000 S**
(45) **Date of Patent:** **** May 30, 2006**

(54) **GAME CONTROLLER**

(75) Inventors: **Saied Hussaini**, Miami, FL (US); **Marc Iacovelli**, Miami, FL (US)

(73) Assignee: **Intec, Inc.**, Miami, FL (US)

(**) Term: **14 Years**

(21) Appl. No.: **29/231,795**

(22) Filed: **Jun. 10, 2005**

(51) **LOC (8) Cl.** **14-02**

(52) **U.S. Cl.** **D14/413**

(58) **Field of Classification Search** D14/412-416,
D14/454, 432, 400, 401; D21/324, 333, 328;
273/148 B; 463/1, 29-35, 46, 47; 74/471 XY,
74/523; 345/156, 161, 158, 167
See application file for complete search history.

(56) **References Cited**

U.S. PATENT DOCUMENTS

D345,994 S	*	4/1994	Shian	D14/413
D431,604 S	*	10/2000	Chan	D21/329
6,171,191 B1	*	1/2001	Ogata et al.	463/38
D442,960 S	*	5/2001	Brulotte et al.	D14/415
D444,469 S	*	7/2001	Goto	D14/413
6,342,009 B1	*	1/2002	Soma	463/38
6,394,906 B1	*	5/2002	Ogata	463/38
D464,968 S	*	10/2002	Wahlgren et al.	D14/415
6,641,480 B1	*	11/2003	Murzanski et al.	463/38
6,645,076 B1	*	11/2003	Sugai	463/30
6,659,870 B1	*	12/2003	Sobota	463/37

6,743,100 B1 * 6/2004 Neiser 463/37

* cited by examiner

Primary Examiner—Prabhakar Deshmukh

(74) *Attorney, Agent, or Firm*—Berenato, White & Stavish LLC

(57) **CLAIM**

The ornamental design for a game controller, as shown and described.

DESCRIPTION

FIG. 1 is a top, front and left perspective view of the game controller according to a first embodiment of the present invention.

FIG. 2 is a top view of the game controller of FIG. 1.

FIG. 3 is a bottom view of the game controller of FIG. 1.

FIG. 4 is a front view of the game controller of FIG. 1.

FIG. 5 is a rear view of the game controller of FIG. 1.

FIG. 6 is a right side view of the game controller of FIG. 1.

FIG. 7 is a left side view of the game controller of FIG. 1.

FIG. 8 is a top, front and left perspective view of the game controller according to a second embodiment of the present invention.

FIG. 9 is a top view of the game controller of FIG. 8.

FIG. 10 is a bottom view of the game controller of FIG. 8.

FIG. 11 is a front view of the game controller of FIG. 8.

FIG. 12 is a rear view of the game controller of FIG. 8.

FIG. 13 is a right side view of the game controller of FIG. 8; and,

FIG. 14 is a left side view of the game controller of FIG. 8.

1 Claim, 8 Drawing Sheets

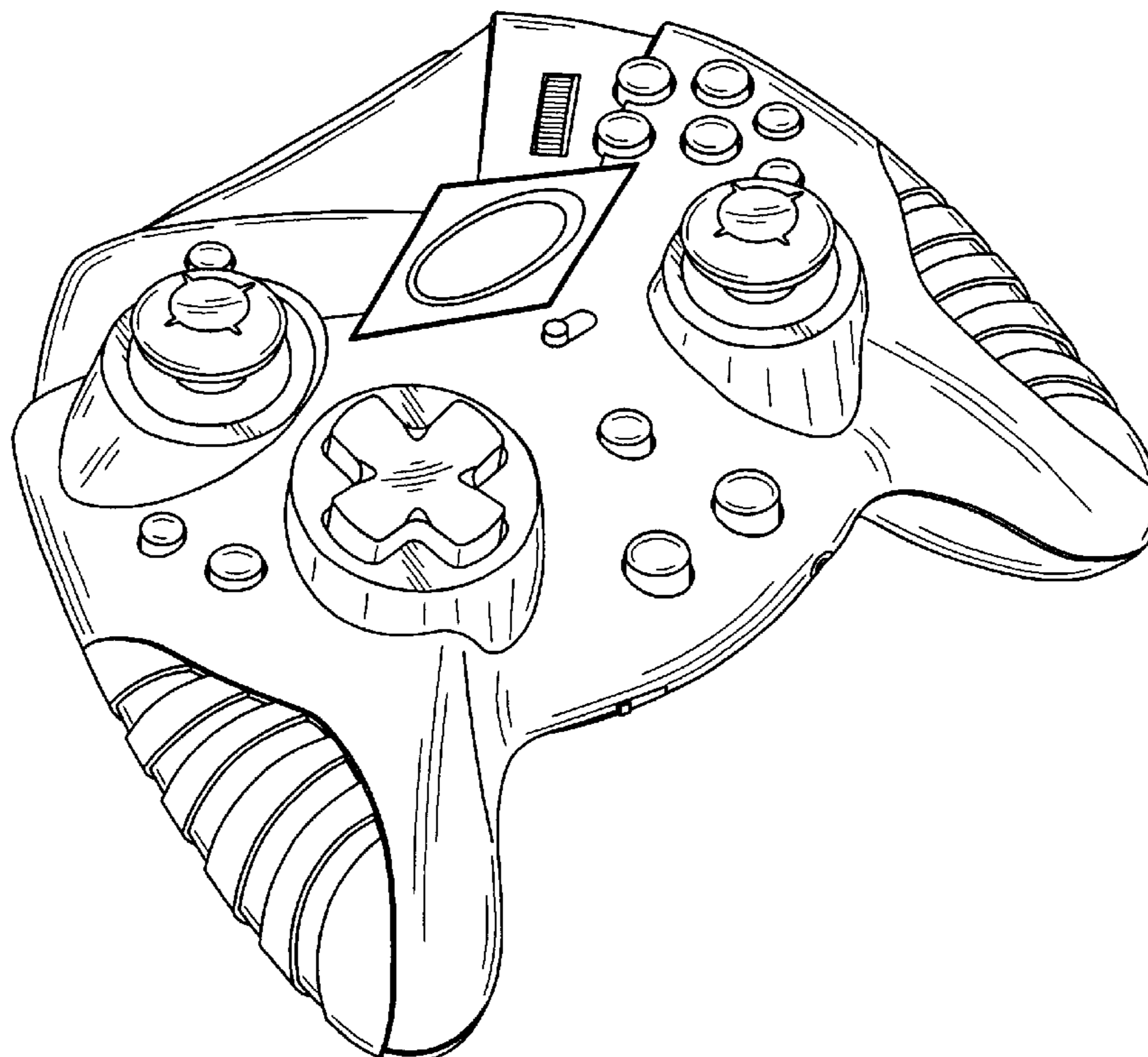


Fig. 1

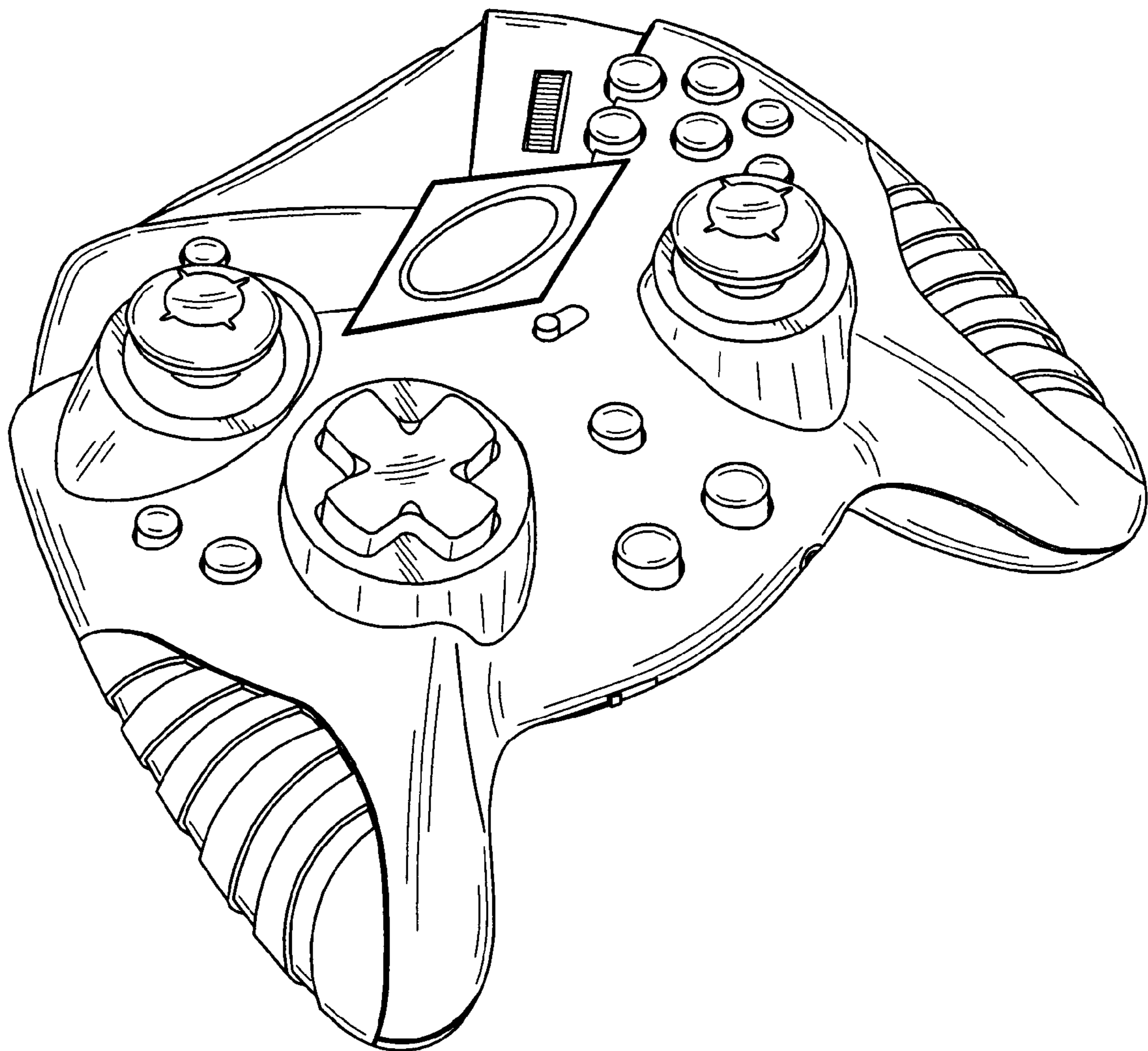


Fig. 2

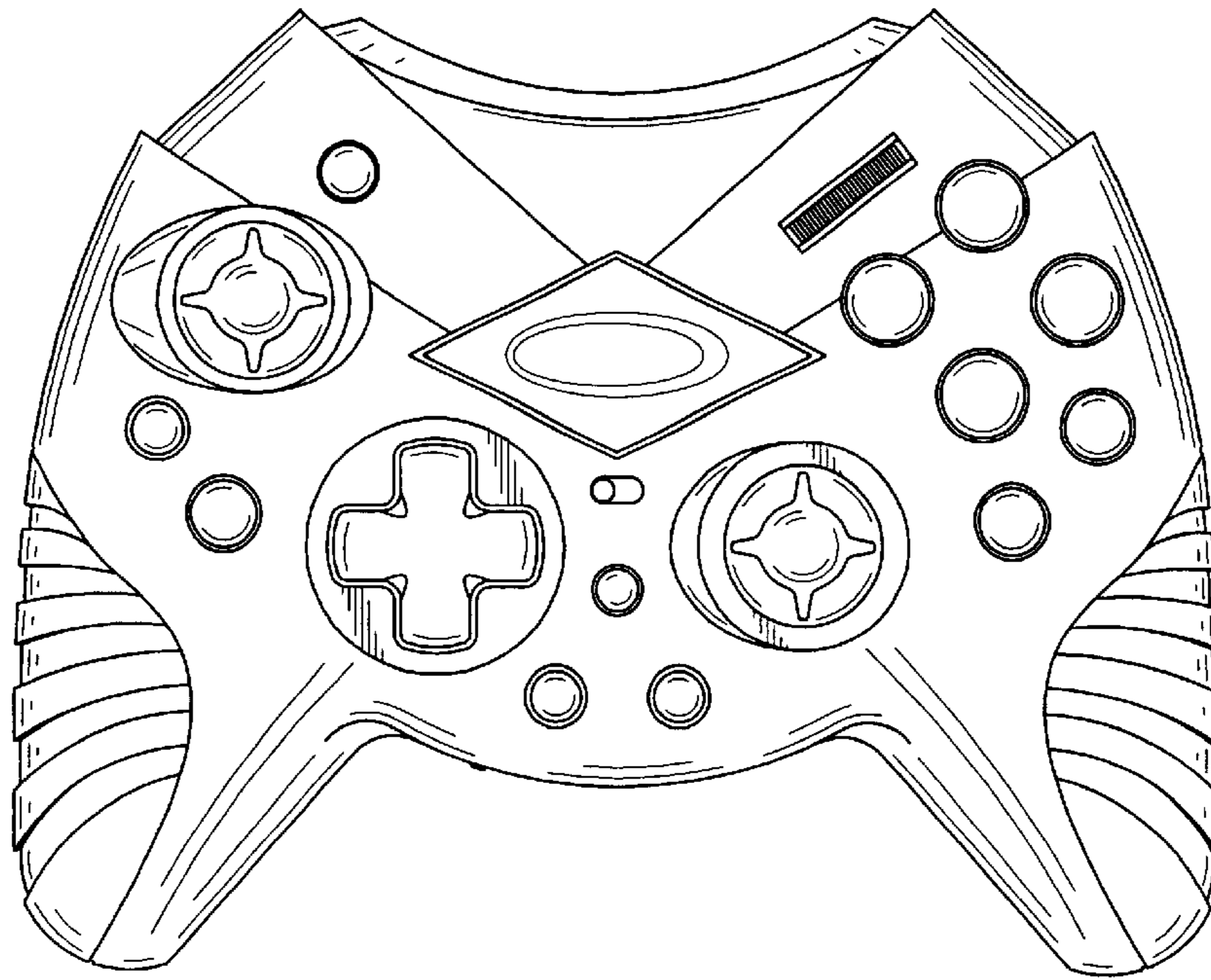


Fig. 3

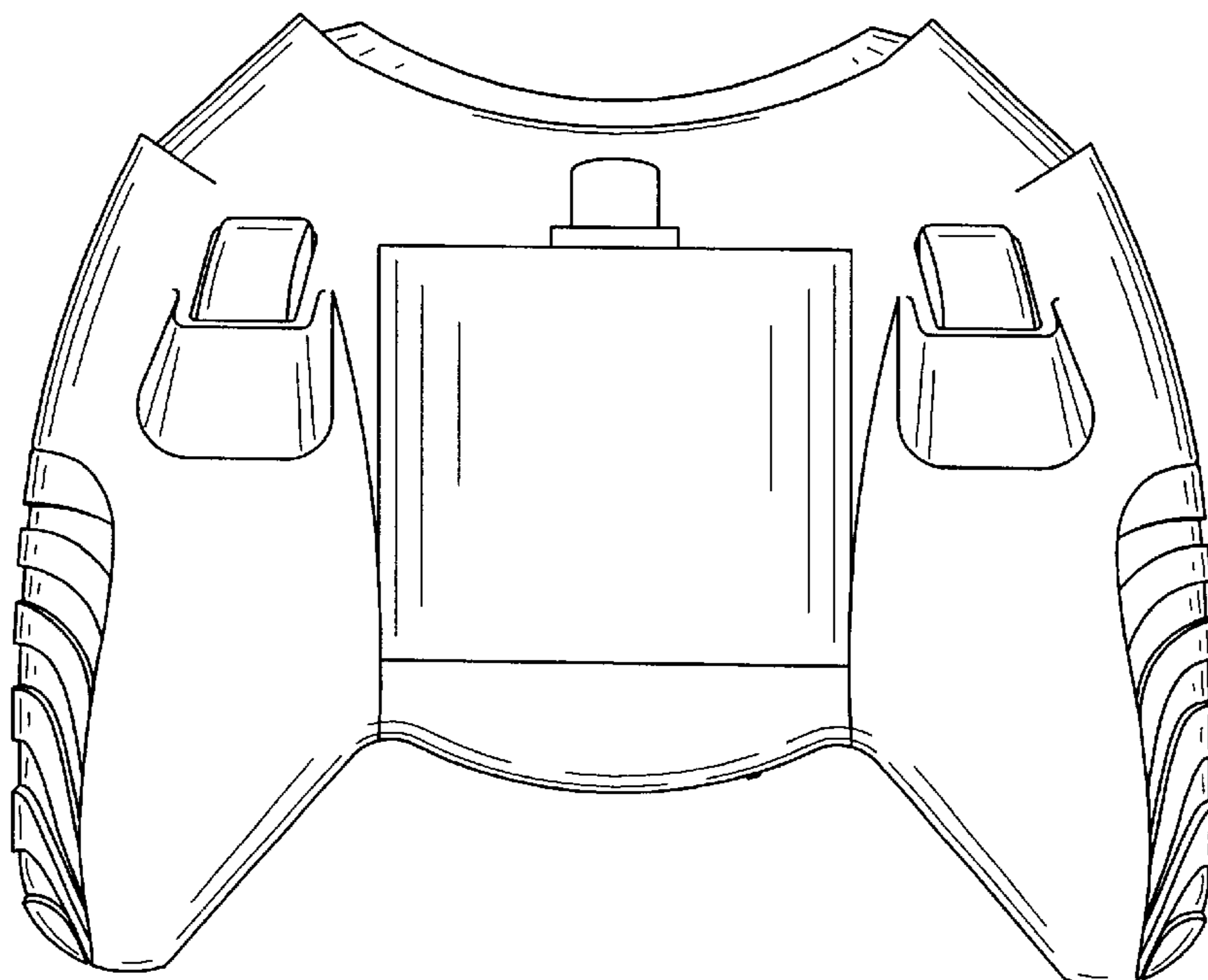


Fig. 4

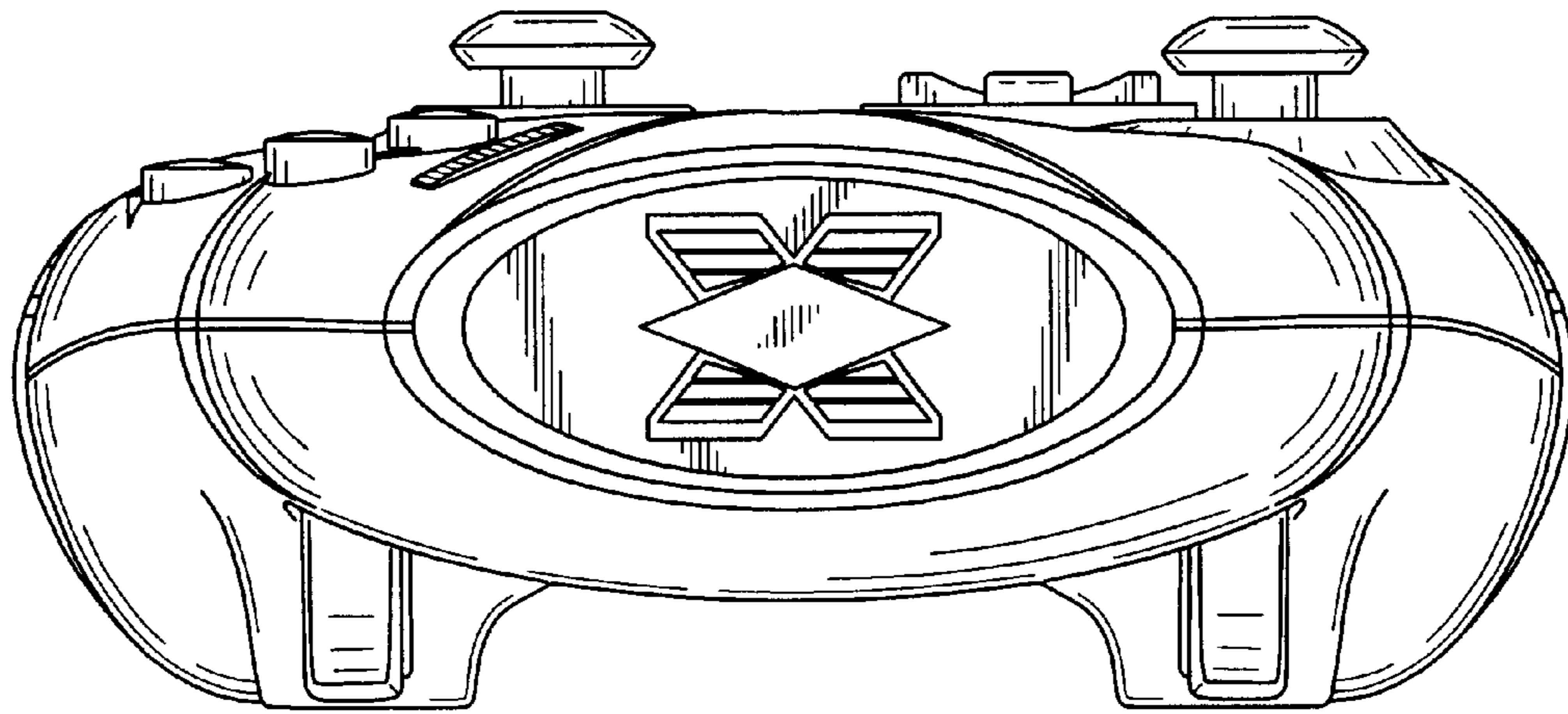


Fig. 5

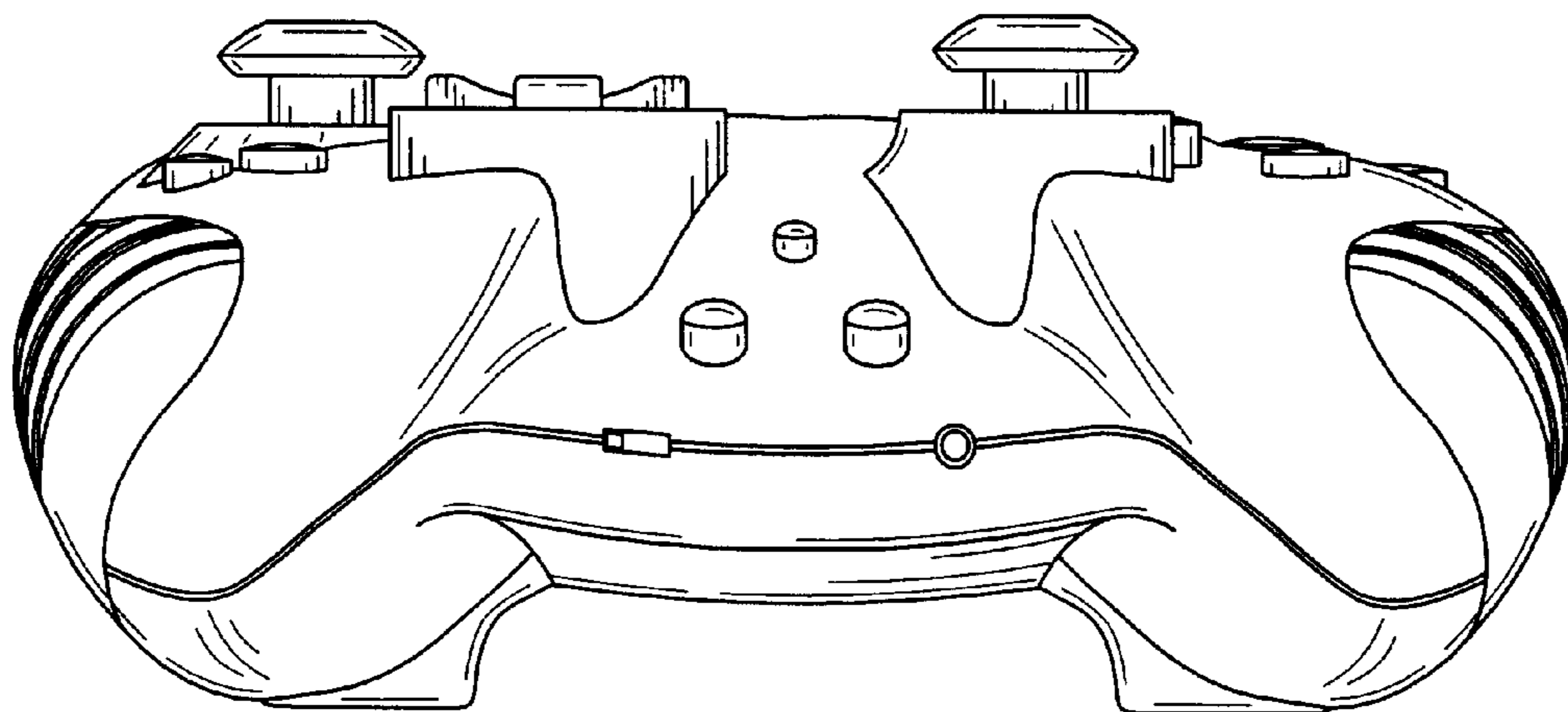


Fig. 6

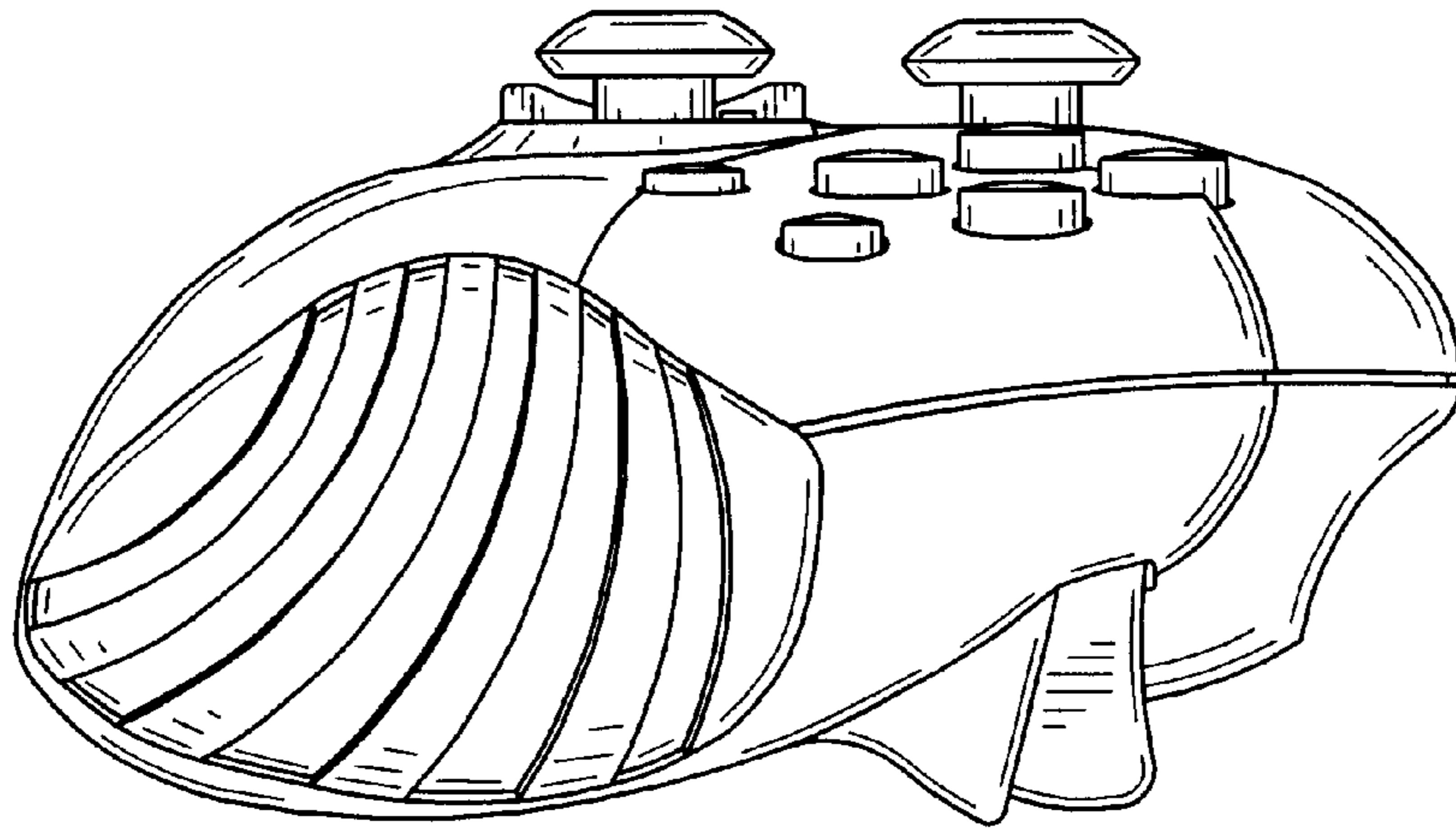


Fig. 7

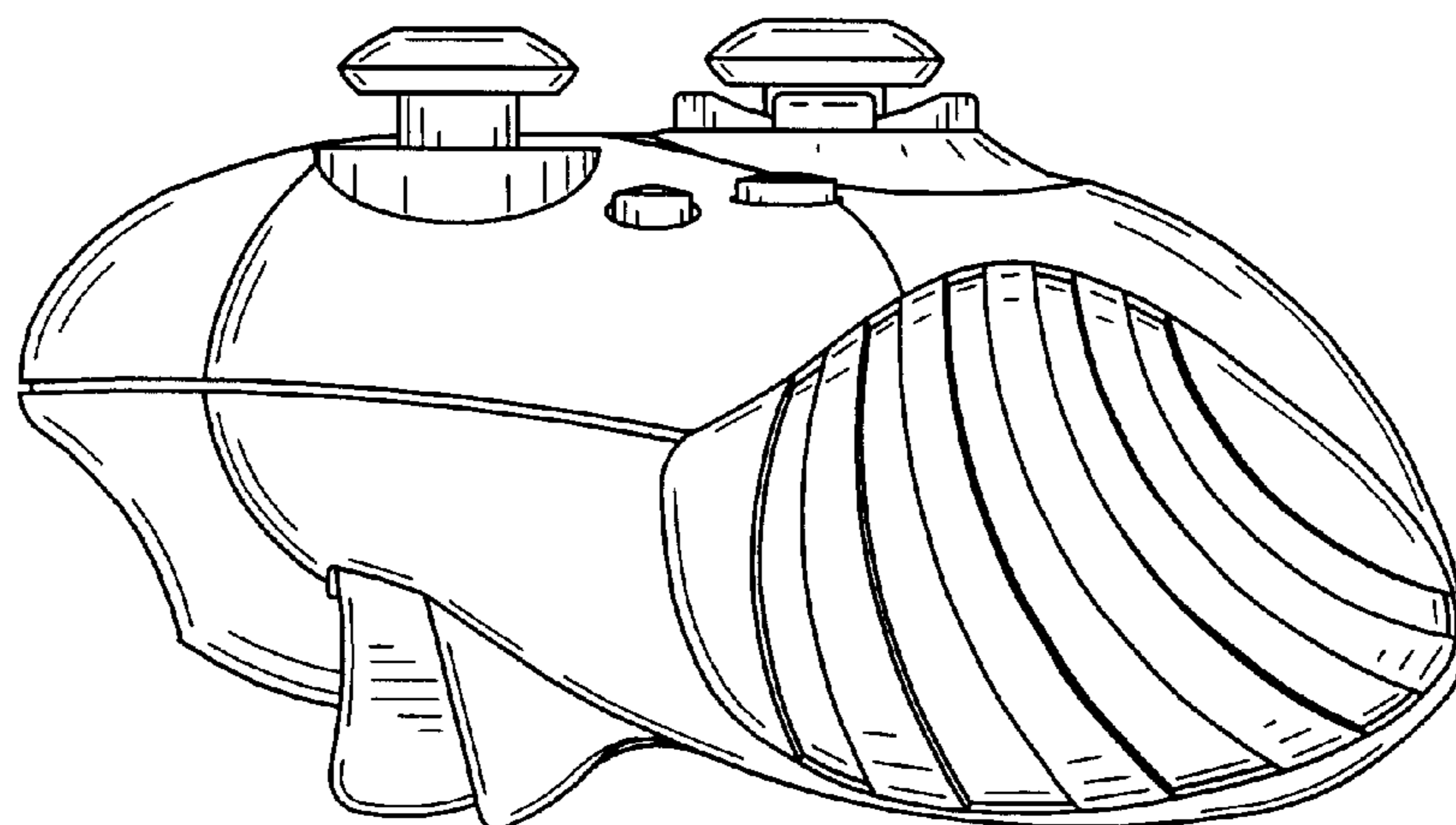


Fig. 8

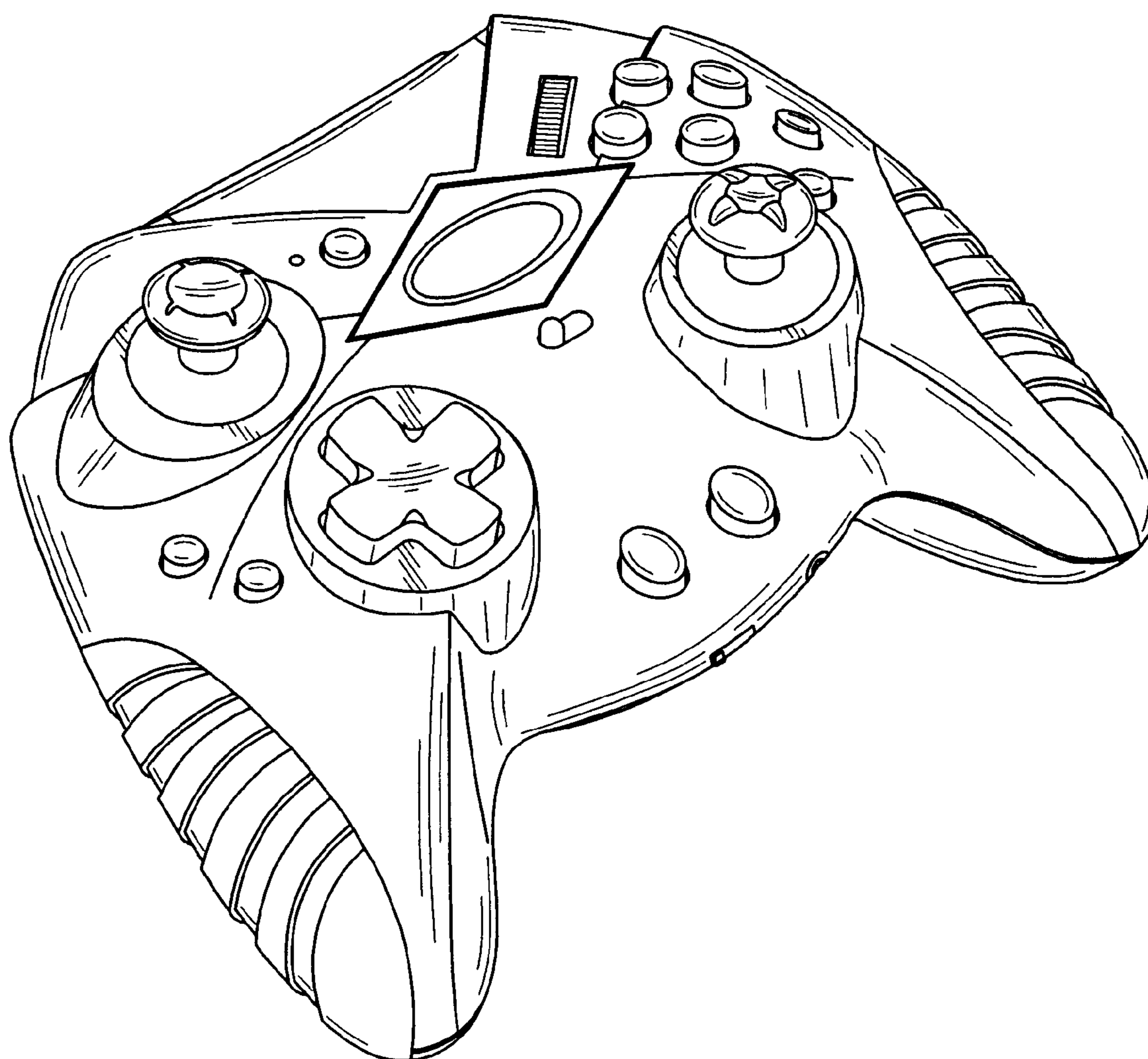


Fig. 9

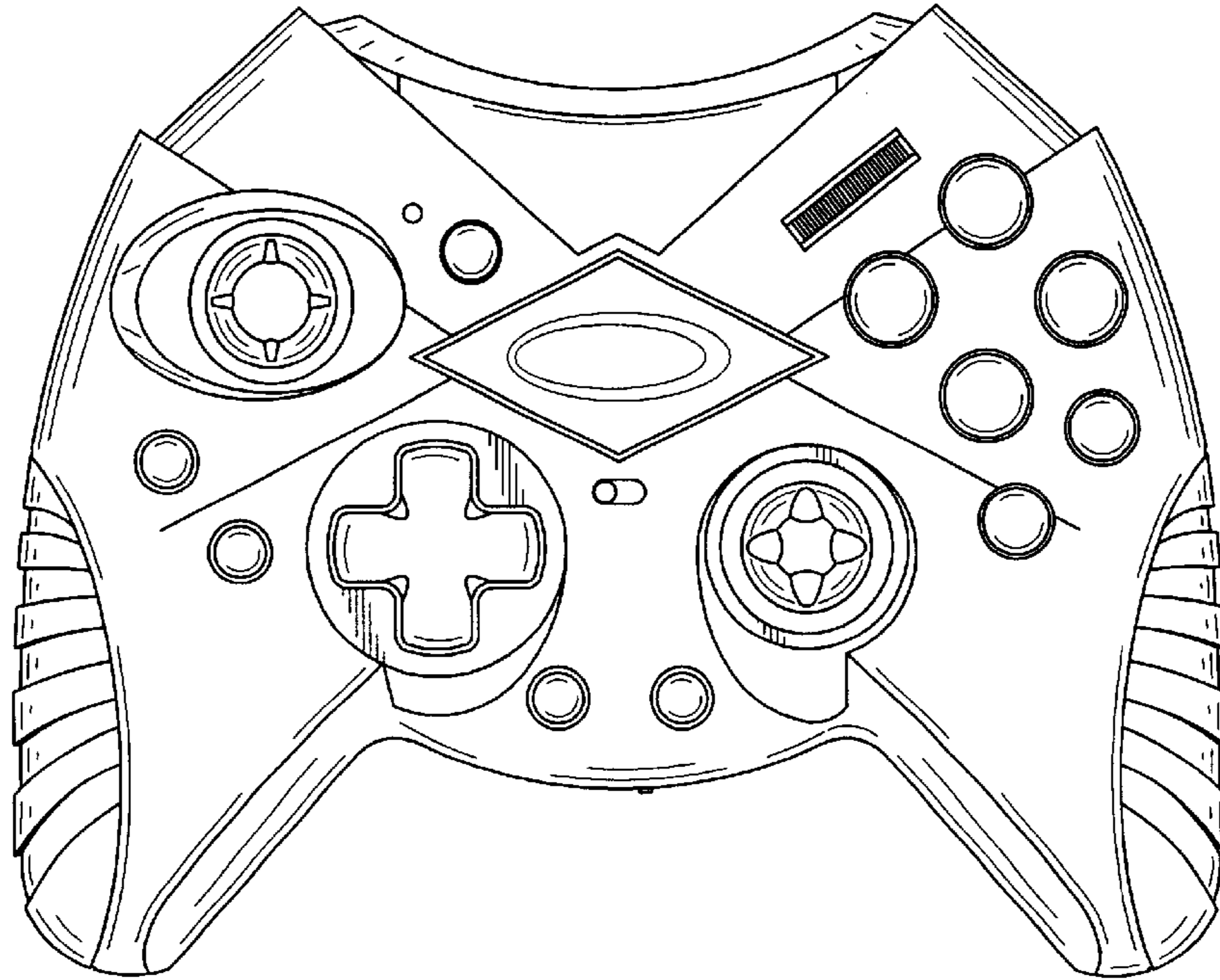


Fig. 10

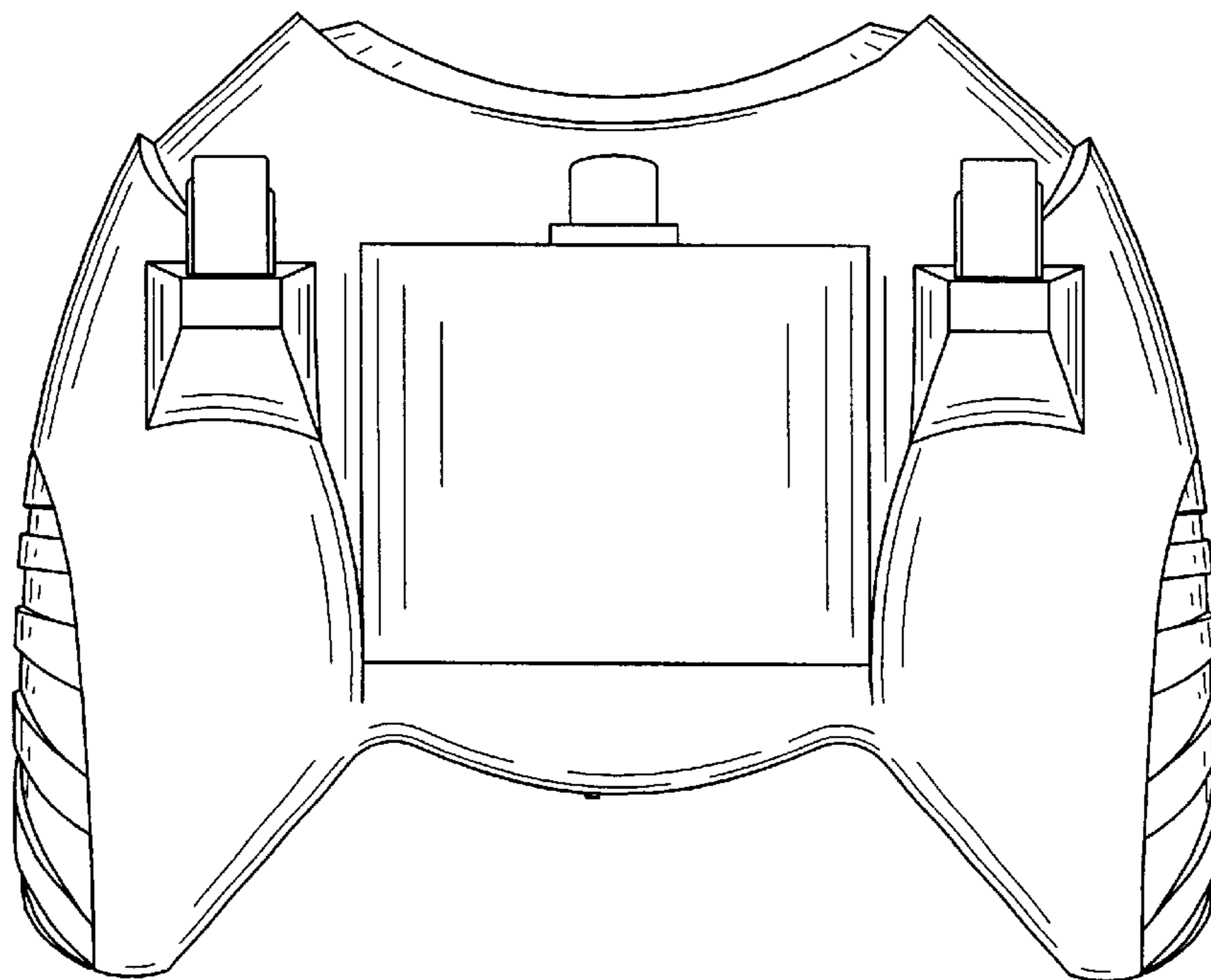


Fig. 11

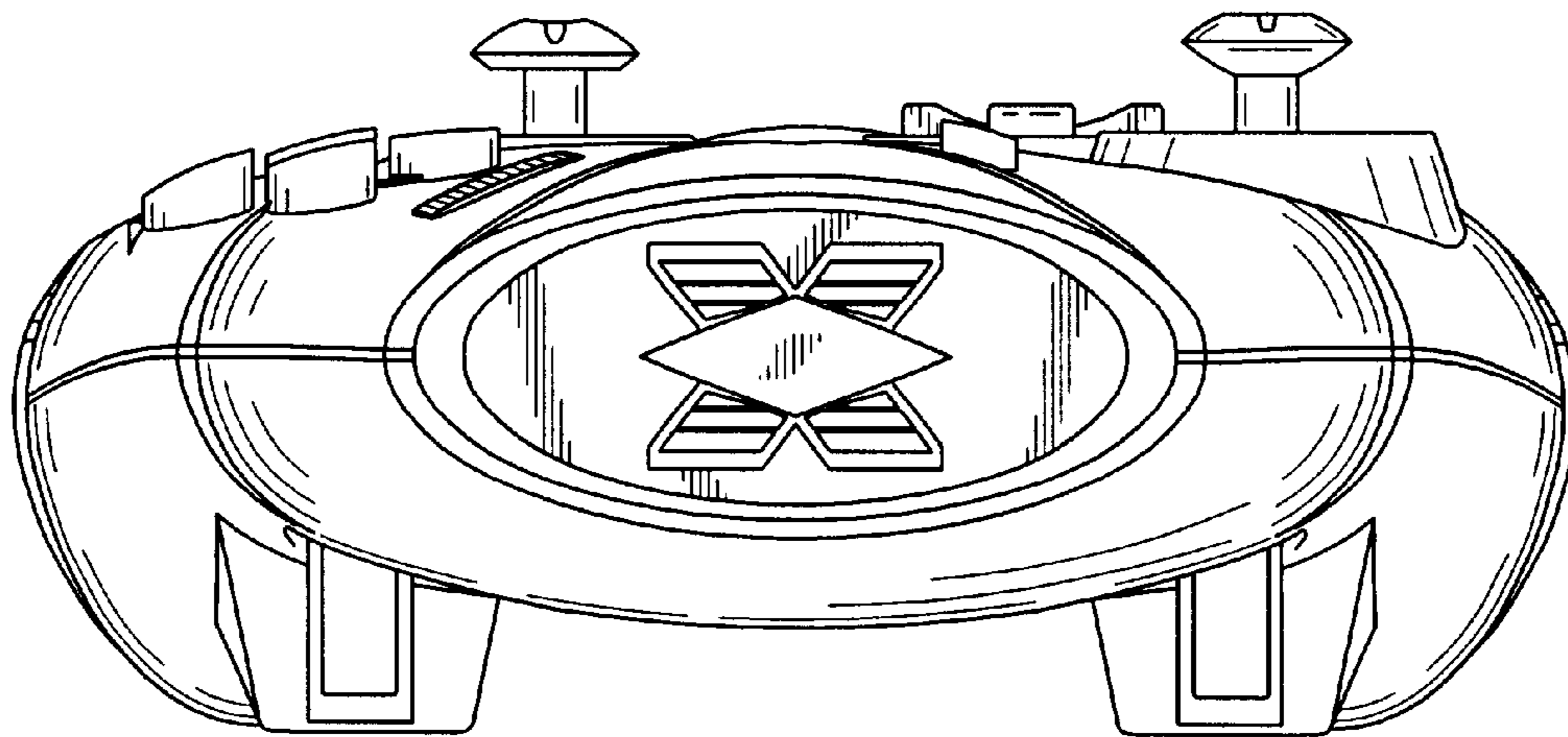


Fig. 12

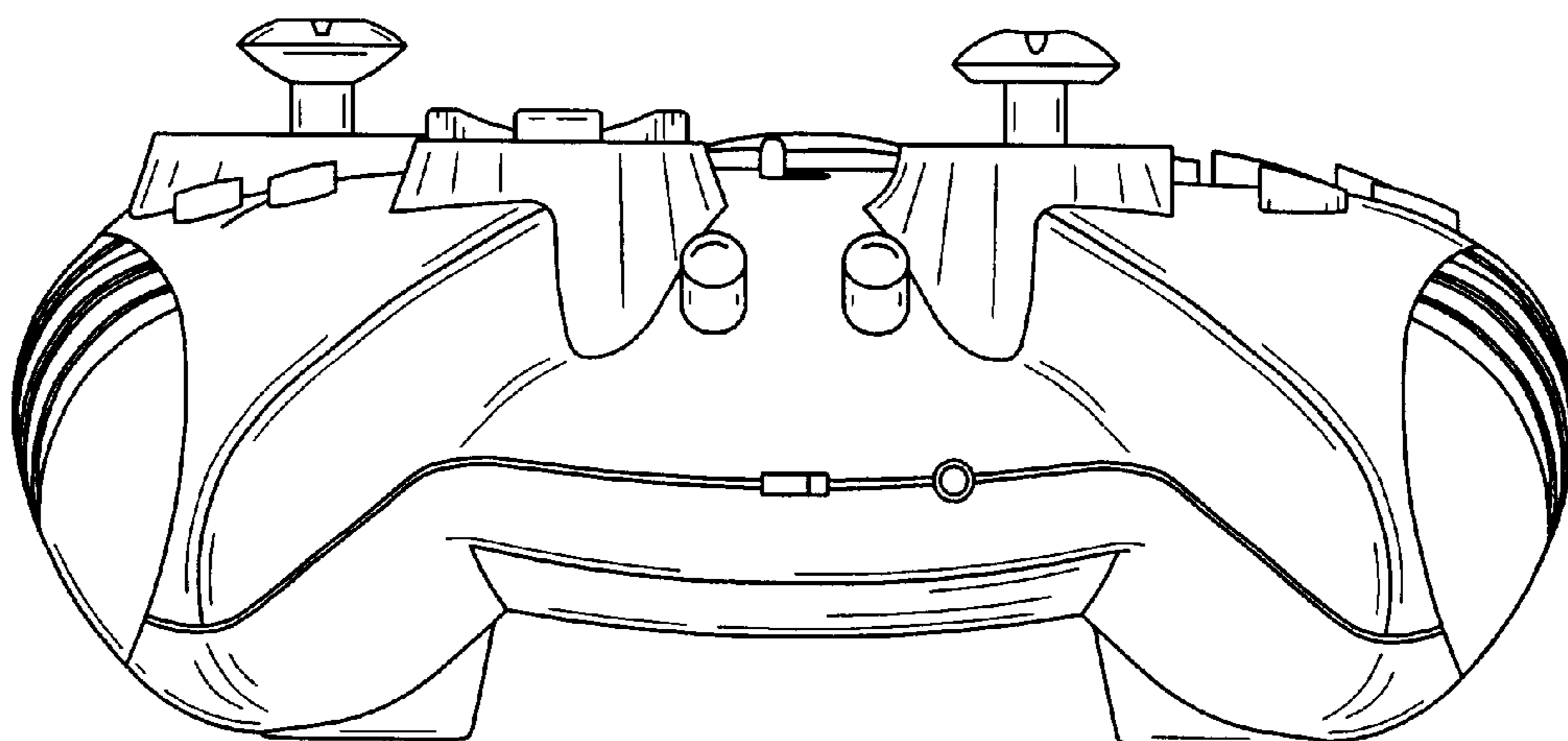


Fig. 13

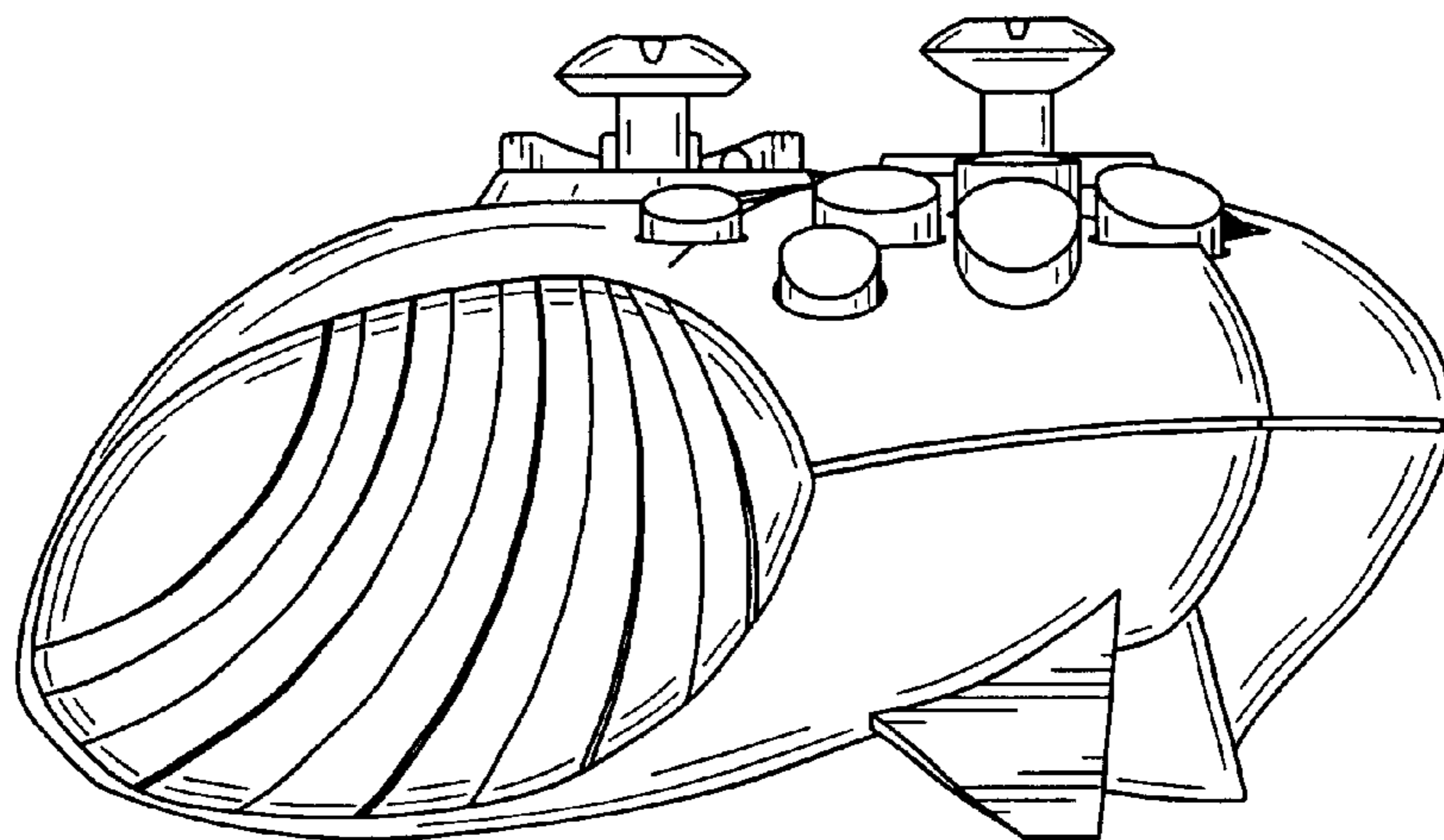


Fig. 14

