



US00D521999S

(12) **United States Design Patent**
Shimizu

(10) **Patent No.:** **US D521,999 S**

(45) **Date of Patent:** **** May 30, 2006**

(54) **MOUSE**

(75) Inventor: **Yosuke Shimizu**, Tokyo (JP)

(73) Assignee: **Sony Corporation**, Tokyo (JP)

(**) Term: **14 Years**

(21) Appl. No.: **29/235,016**

(22) Filed: **Jul. 27, 2005**

(30) **Foreign Application Priority Data**

Apr. 8, 2005 (JP) D2005-010685

(51) **LOC (8) Cl.** **14-02**

(52) **U.S. Cl.** **D14/402; D14/408**

(58) **Field of Classification Search** D14/401-410,
D14/417, 432; D13/158; 200/5 R, 5 A, 6 R,
200/6 A; 273/148 B; 345/156-167; 74/471 XY;
436/36-38

See application file for complete search history.

(56) **References Cited**

U.S. PATENT DOCUMENTS

5,848,231 A * 12/1998 Teitelbaum et al. 726/4
D434,416 S 11/2000 Goto

D467,925 S * 12/2002 Hu et al. D14/408

6,509,891 B1 * 1/2003 Sheehan et al. 345/167

D472,899 S * 4/2003 Hu et al. D14/402

D478,908 S * 8/2003 Morisawa D14/402

D479,528 S * 9/2003 Sheehan et al. D14/408

D487,745 S 3/2004 Morisawa

* cited by examiner

Primary Examiner—Pamela Burgess

(74) *Attorney, Agent, or Firm*—Rader, Fishman & Grauer
PLLC

(57) **CLAIM**

The ornamental design for a mouse, as shown.

DESCRIPTION

FIG. 1 is a perspective view of a mouse showing my new design;

FIG. 2 is a front elevational view thereof;

FIG. 3 is a rear elevational view thereof;

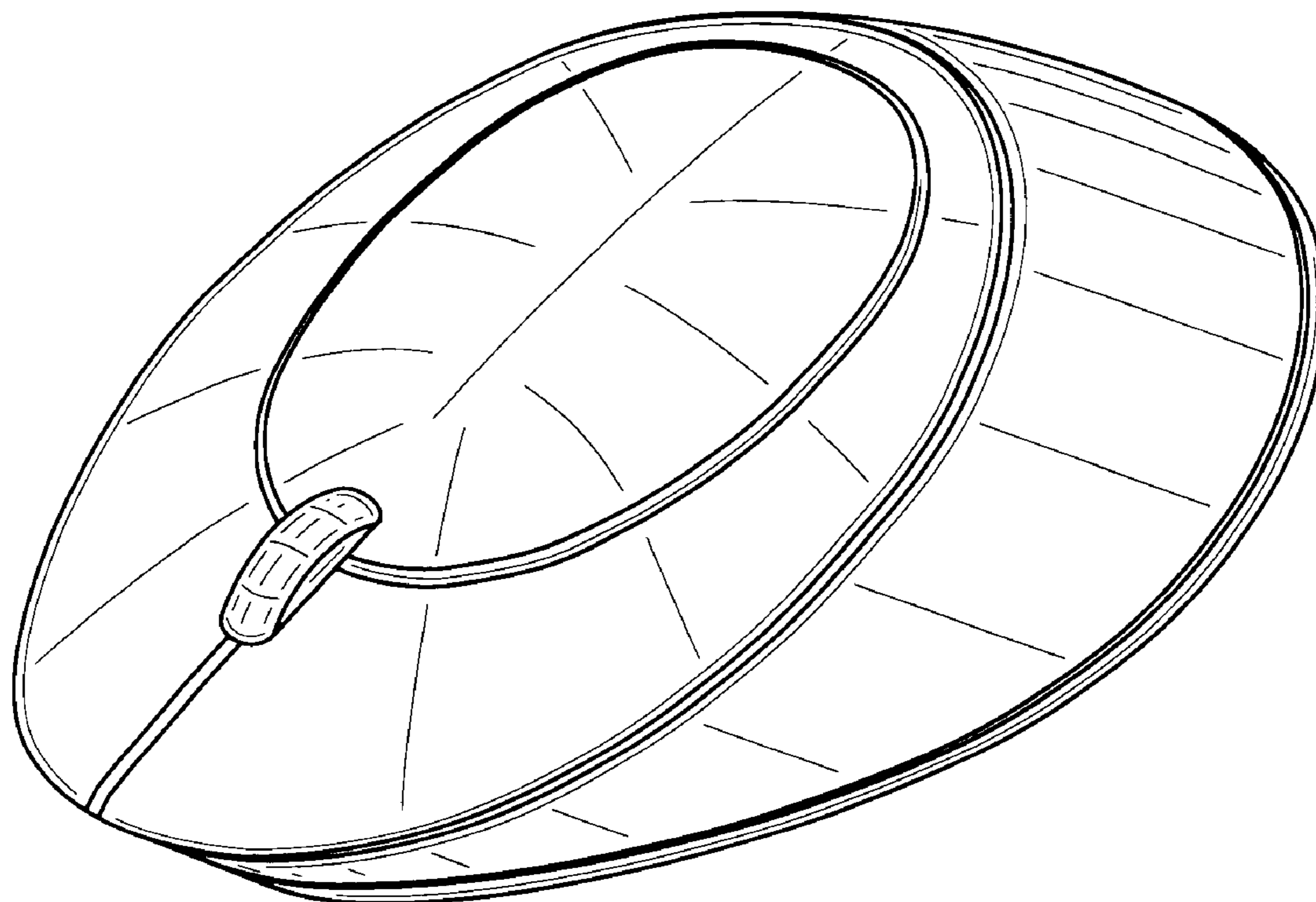
FIG. 4 is a left side elevational view thereof;

FIG. 5 is a right side elevational view thereof;

FIG. 6 is a top plan view thereof; and,

FIG. 7 is a bottom plan view thereof.

1 Claim, 7 Drawing Sheets



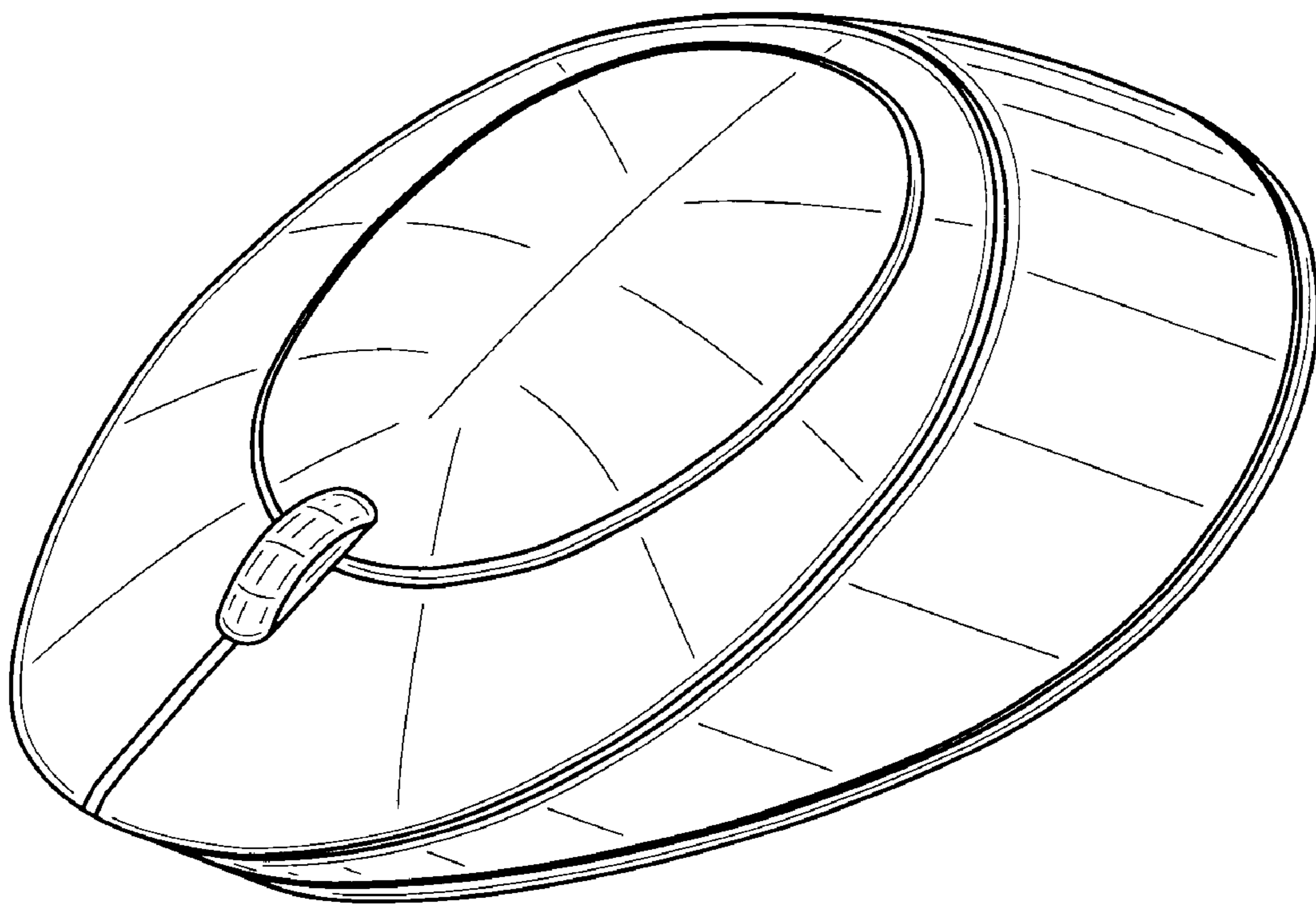


FIG. 1

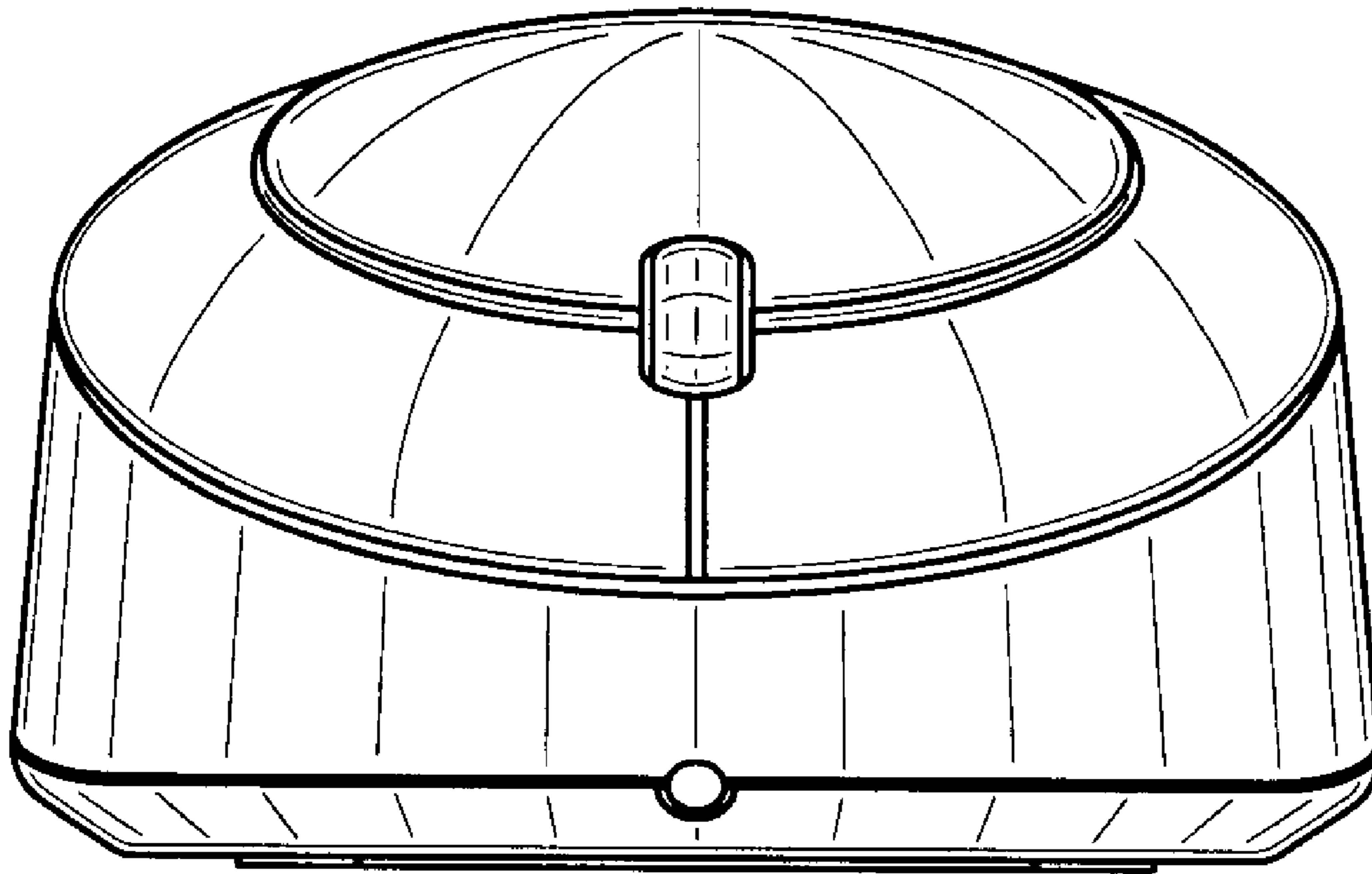


FIG. 2

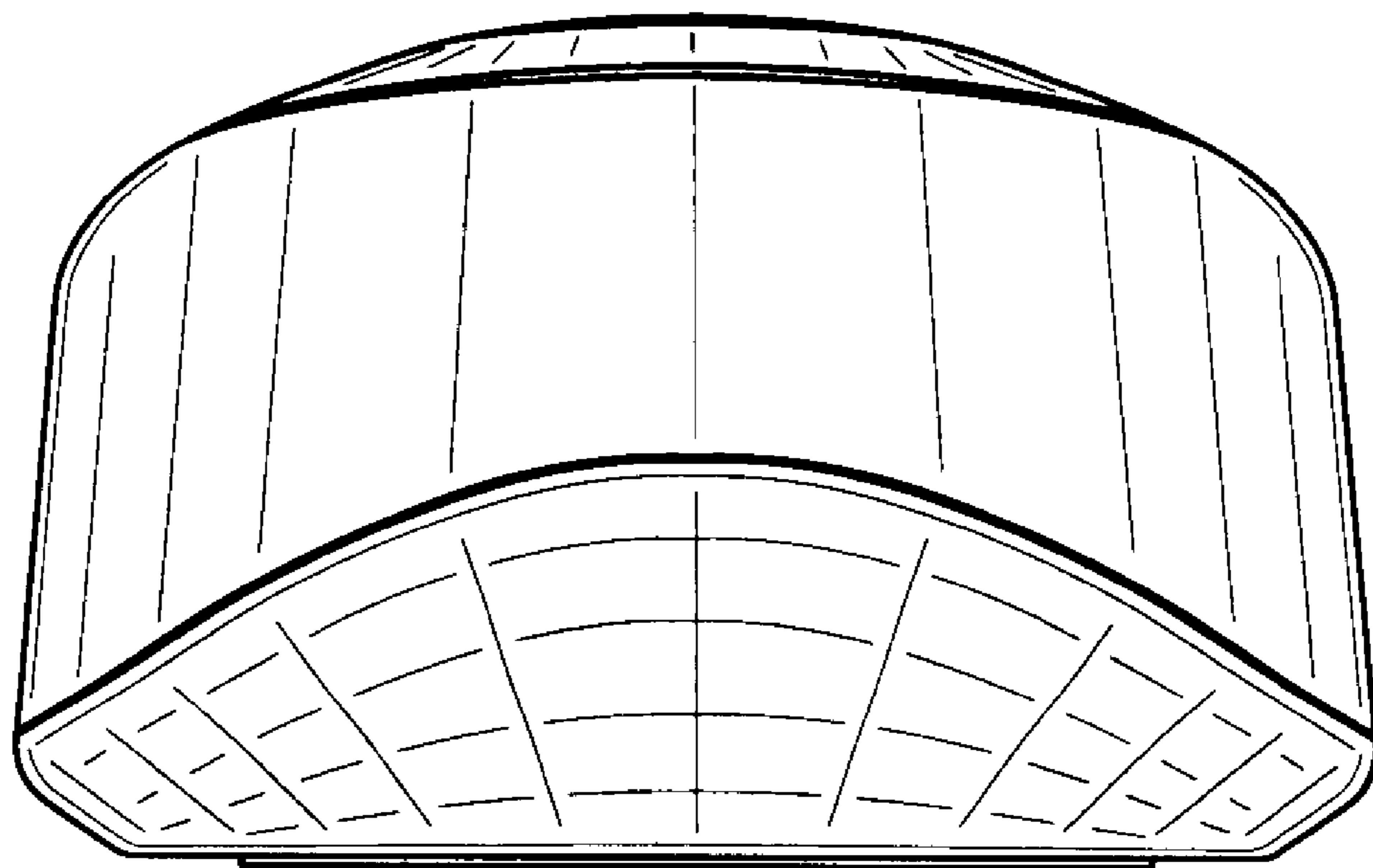


FIG. 3

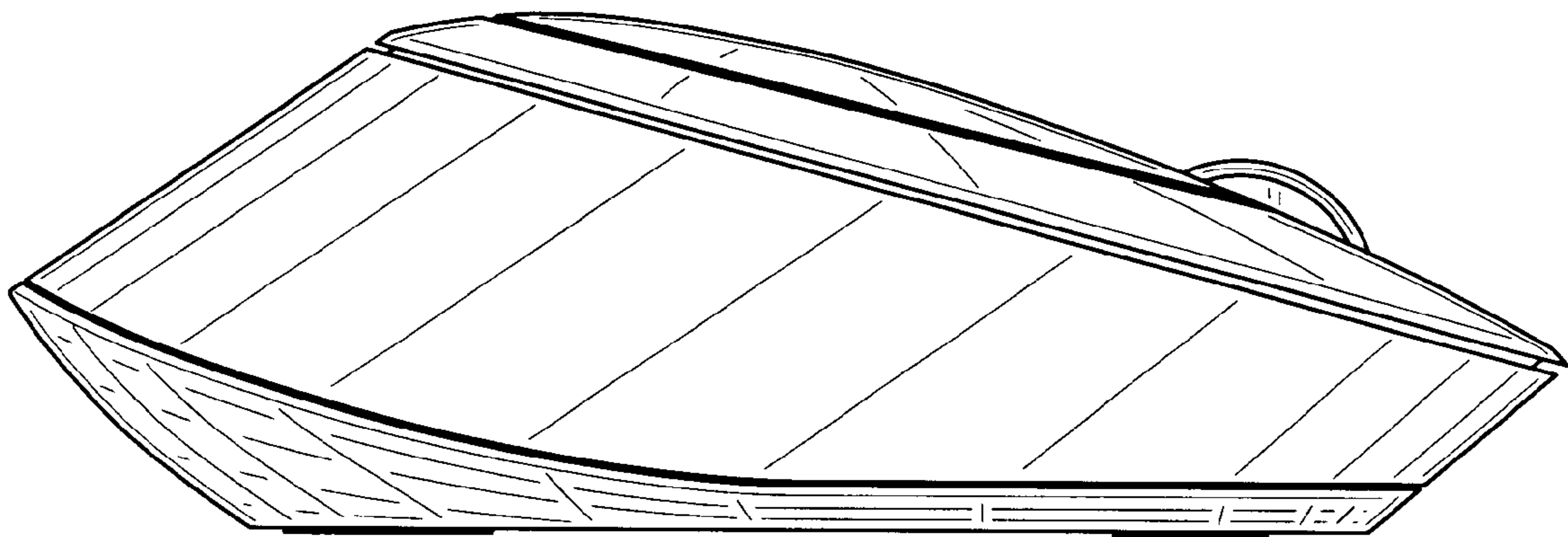


FIG. 4

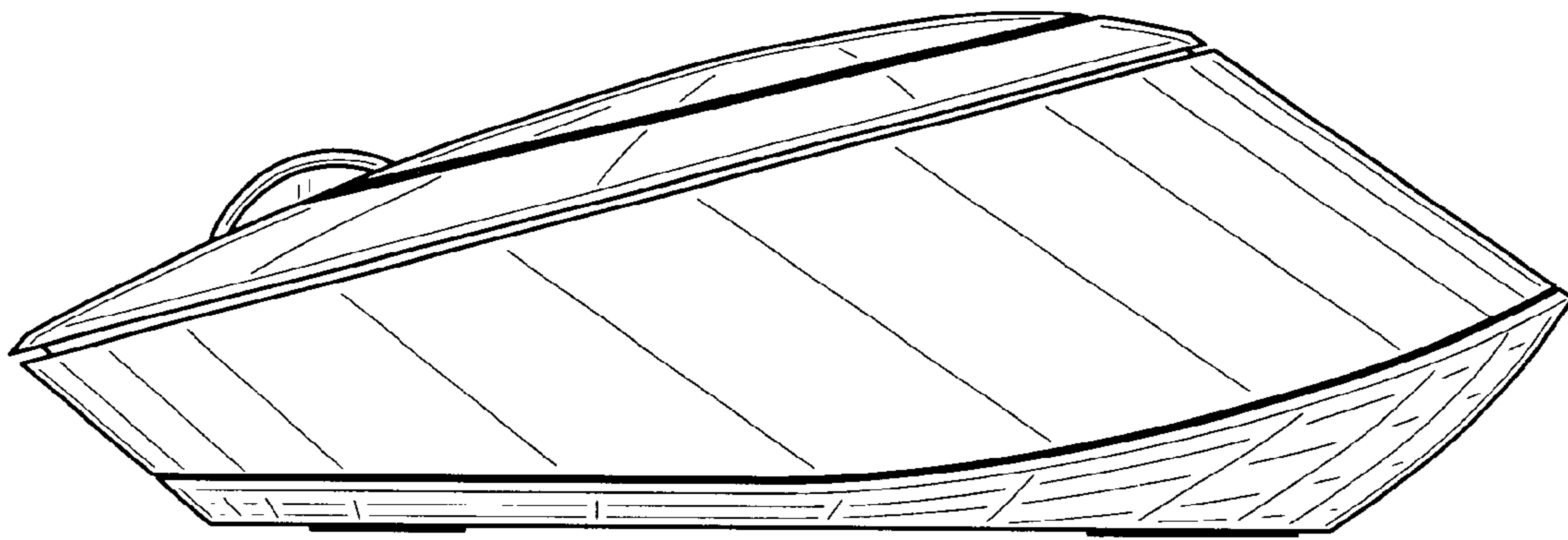


FIG. 5

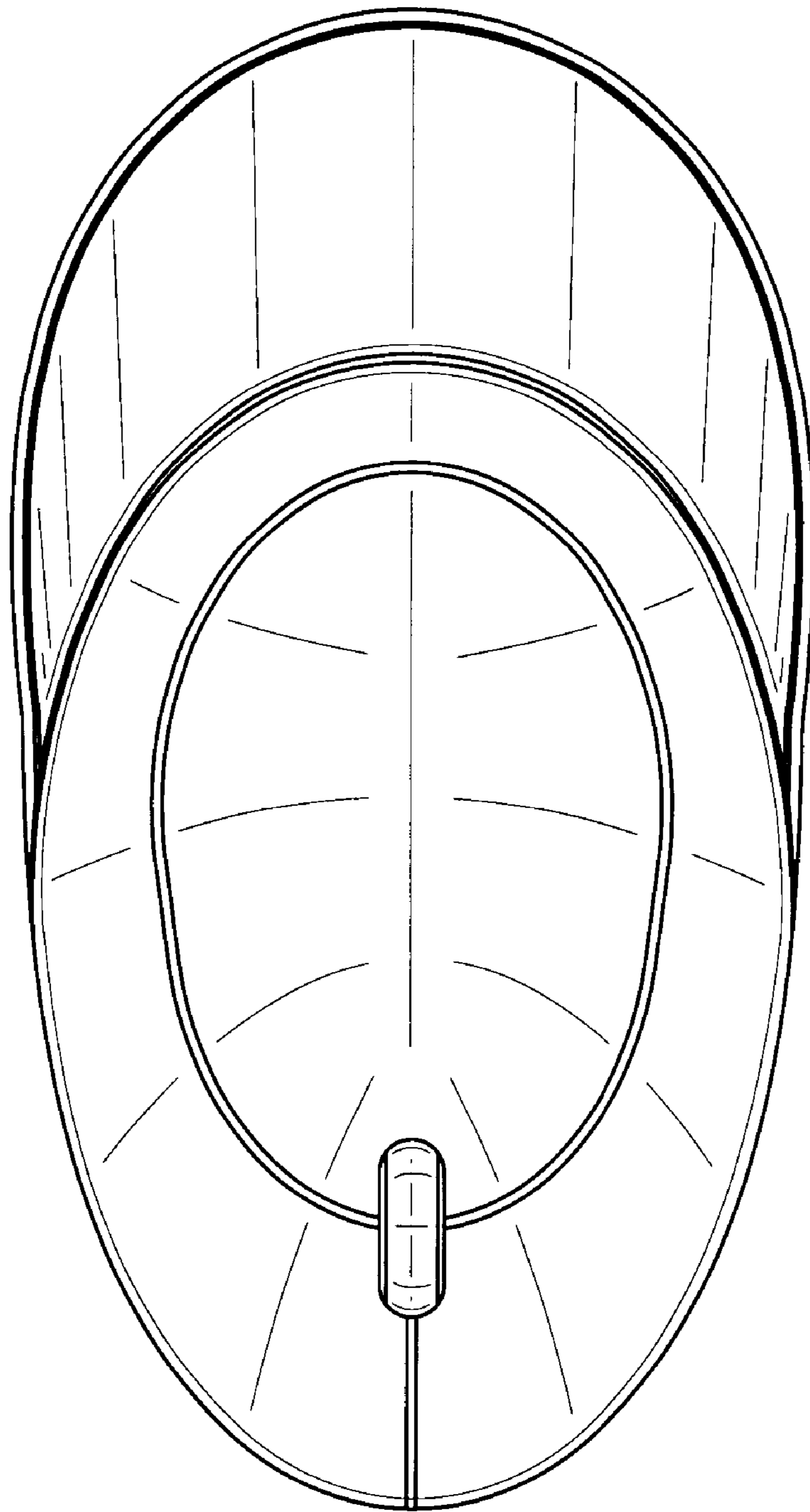


FIG. 6

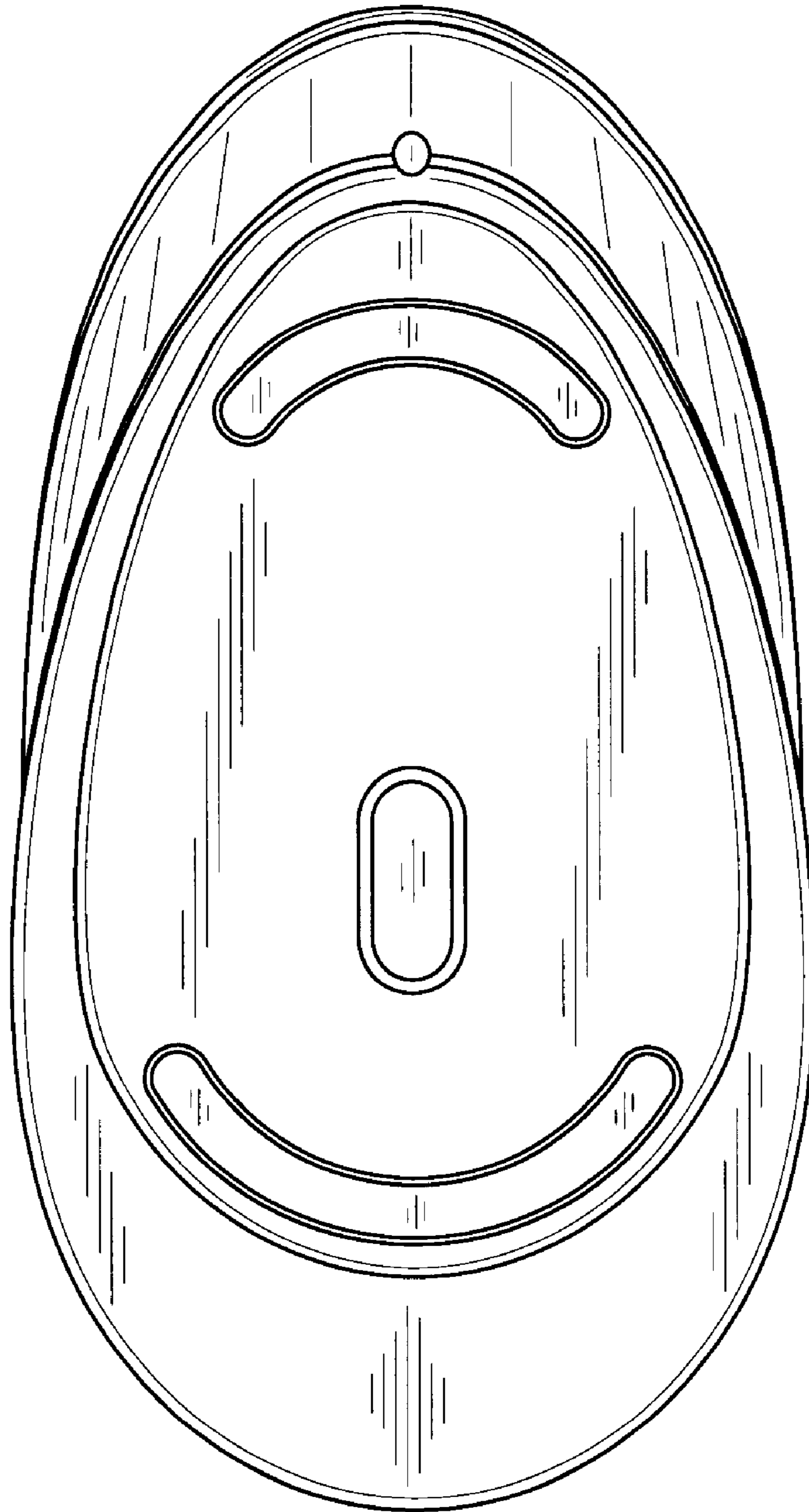


FIG. 7