



US00D521992S

(12) **United States Design Patent**
Morooka et al.

(10) **Patent No.:** **US D521,992 S**
(45) **Date of Patent:** **** May 30, 2006**

(54) **PERSONAL COMPUTER**

(75) Inventors: **Hisao Morooka**, Inagi (JP); **Mitsuhiko Kawami**, Tokyo (JP)

(73) Assignee: **Fujitsu Limited**, Kawasaki (JP)

(**) Term: **14 Years**

(21) Appl. No.: **29/225,586**

(22) Filed: **Mar. 18, 2005**

(30) **Foreign Application Priority Data**

Sep. 21, 2004 (JP) 2004-028577

(51) **LOC (8) Cl.** **14-02**

(52) **U.S. Cl.** **D14/316**

(58) **Field of Classification Search** D14/315-322;
D18/1, 2, 7, 11; 235/145 A, 145 R; 341/22,
341/23; 345/104, 156, 168, 169, 173, 87,
345/901-905; 361/680-686

See application file for complete search history.

(56) **References Cited**

U.S. PATENT DOCUMENTS

6,492,974	B1	*	12/2002	Nobuchi et al.	345/156
D482,687	S	*	11/2003	Chu	D14/316
D485,836	S	*	1/2004	Tanaka	D14/316
D487,891	S	*	3/2004	Yang et al.	D14/316
D491,934	S	*	6/2004	Shimano et al.	D14/318
6,771,494	B1	*	8/2004	Shimano	361/681
2004/0141284	A1	*	7/2004	Chen et al.	361/681
2004/0160733	A1	*	8/2004	Hsu	361/681

OTHER PUBLICATIONS

Fujitsu "Lifebook T3010", Online, Published Sep. 2003,
http://www.pc-ap.fujitsu.com/news/2003/pr_030908_t3010.html.

Sharp "Muramasa PC-TN1-H1W", Online, Published Jun. 2003,
<http://review.tablepc.jp/sap/tabletPC.asp?PID=1322>.

Panasonic "Tough Book CF-18", Online, Published, Feb. 2003,
<http://itpro.nikkeibp.co.jp/free/ITPro/USNEWS/20030225/10/>.

SOTEC "AFiNA AT380B", Online, Published Oct. 2002,
http://www.sotec.co.jp/news/2002/1010_tablet.html.

ACER "Travelmate C300" Online, Published Oct. 2003,
<http://global.acer.com/products/news.asp?id=6373>.

ACER "Travelmate C110" Online, Published May 2003,
<http://global.acer.com/about/news.asp?id=6315>.

TOSHIBA "Portage 3500" Online, Published Nov. 2002,
<http://buffalo.melcoinc.co.jp/taiou/kisyu/list.php?maker=72&pc=PORTEGE>.

TOSHIBA "Portege M200" Online, Published Jan. 2004,
http://jp.fujitsu.com/itj/backnumber/2004/01/news_04.shtml.

LG "X note LT20" Online, Published Jul. 2003, <http://pc.empas.com/news/?cc=60&no=25071>.

ViewSonic "Tablet PC V1250", Online, Published Nov. 2003,
http://www.viewsonic.com/companyinfo/pressrelease_detail.cfm?key_press_release=196.

(Continued)

Primary Examiner—Freda S. Nunn

(74) *Attorney, Agent, or Firm*—Staas & Halsey LLP

(57) **CLAIM**

The ornamental design for a personal computer, as shown and described.

DESCRIPTION

FIG. 1 is a perspective view of the front, bottom and right side of a personal computer showing our new design;

FIG. 2 is a top plan view thereof;

FIG. 3 is a front view thereof;

FIG. 4 is a rear view thereof;

FIG. 5 is a bottom view thereof;

FIG. 6 is a left side view thereof;

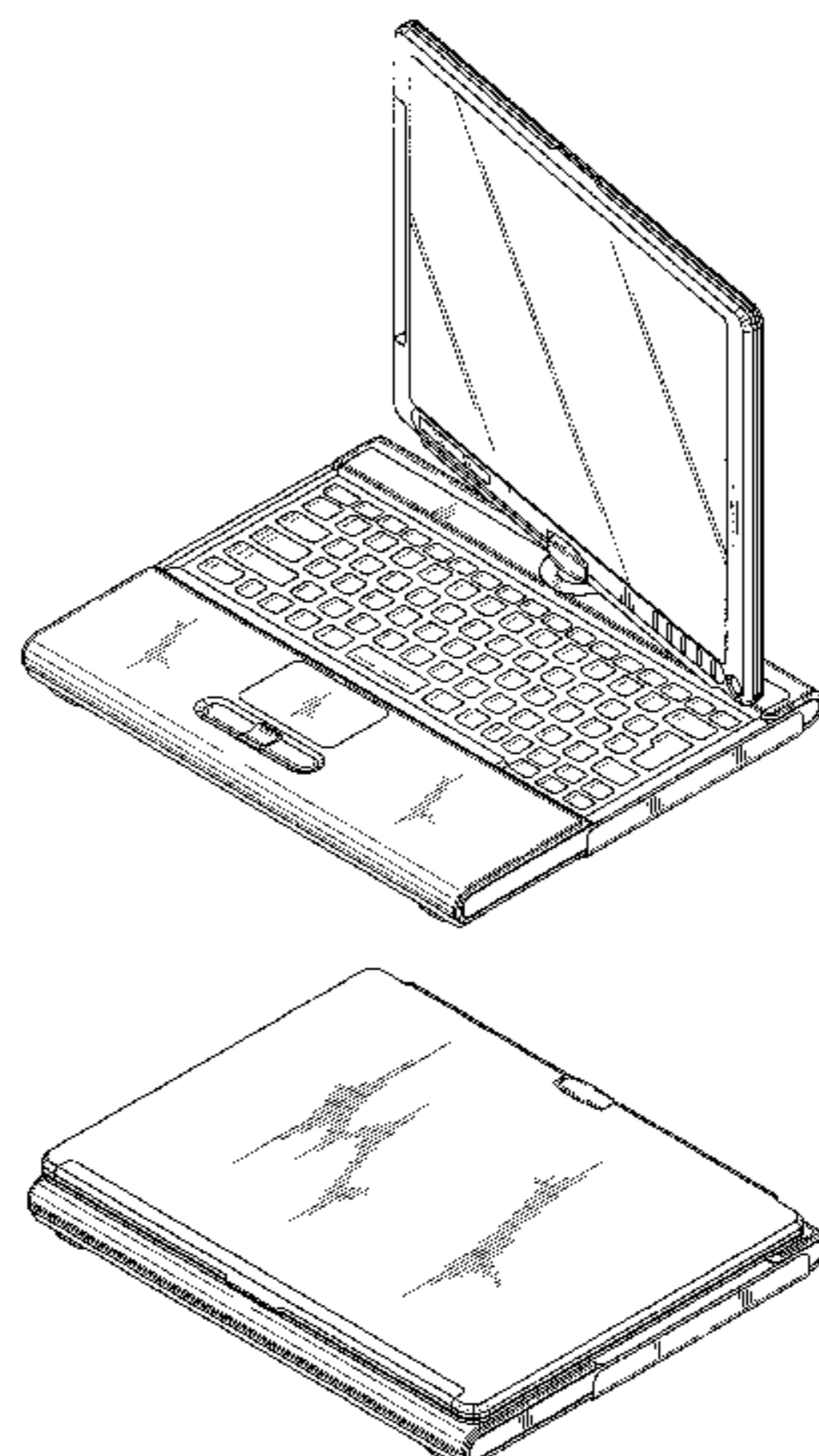
FIG. 7 is a right side view thereof;

FIG. 8 is a perspective view thereof with the lid in the opened condition;

FIG. 9 is a perspective view thereof with the lid in the opened and pivoted condition; and,

FIG. 10 is a perspective view thereof with the lid in closed condition.

1 Claim, 7 Drawing Sheets



OTHER PUBLICATIONS

Gateway "Tablet PC", online, Published Nov. 2003, 1. http://reviews.cnet.com/Gateway_M275_tablet_pc/4505-3121_7-30591541.html, 2. <http://www.tabletquestions.com/showthread.php?t=73>, 3. http://www.freshnews.com/news/computers-internet/article_15074.html?Optical.

Averatec "C3500", Online, Published Jul. 2004, 1. <http://www.whatisnew.com/modules.php?op=modload&name=News&file=article&sid=1922&mode=thread&order=0&thold=0>, 2. http://www.amd.com/us-en/Corporate/VirtualPressRoom/0_51_104_543~87772,00.html.

* cited by examiner

FIG. 1

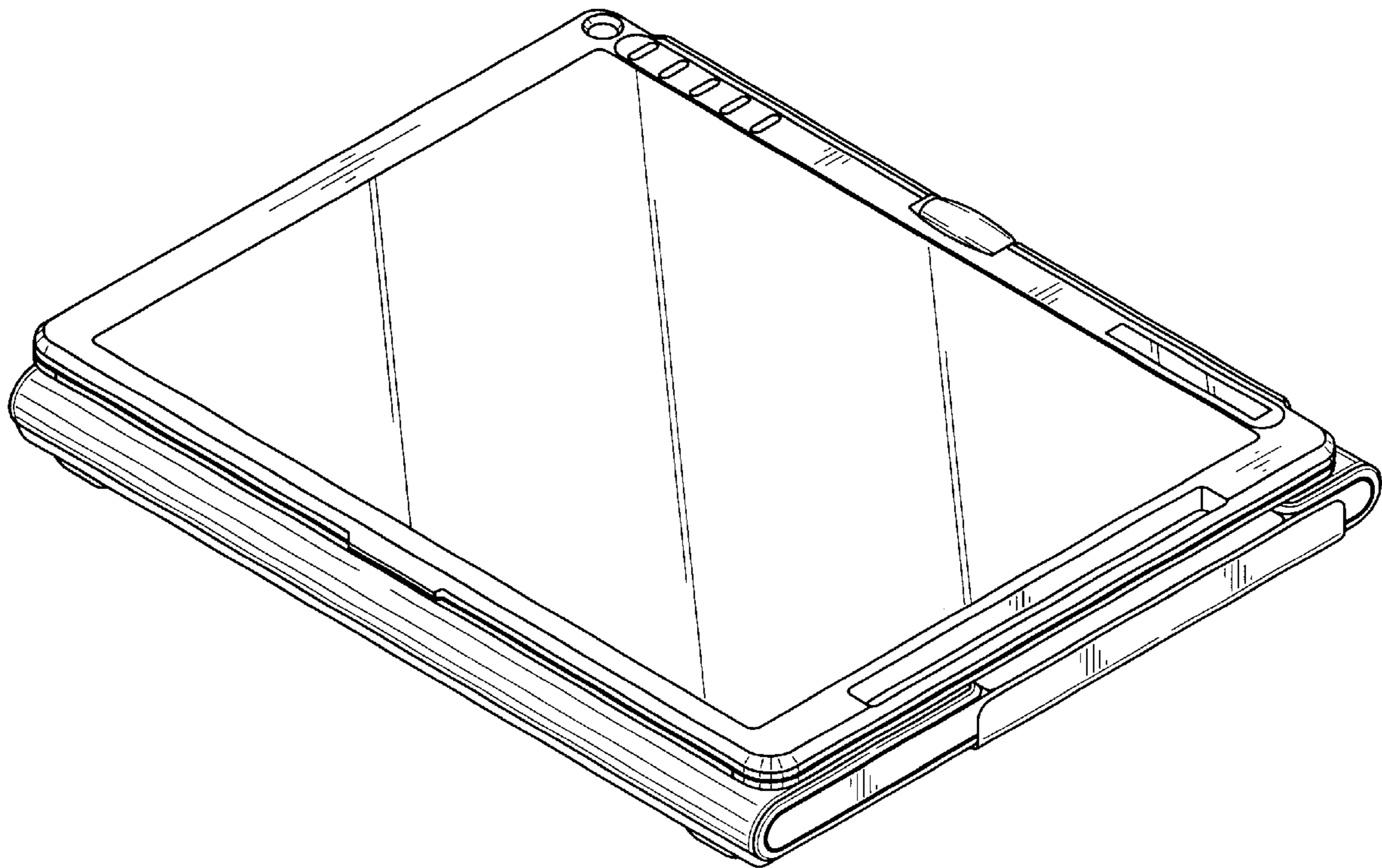


FIG. 2

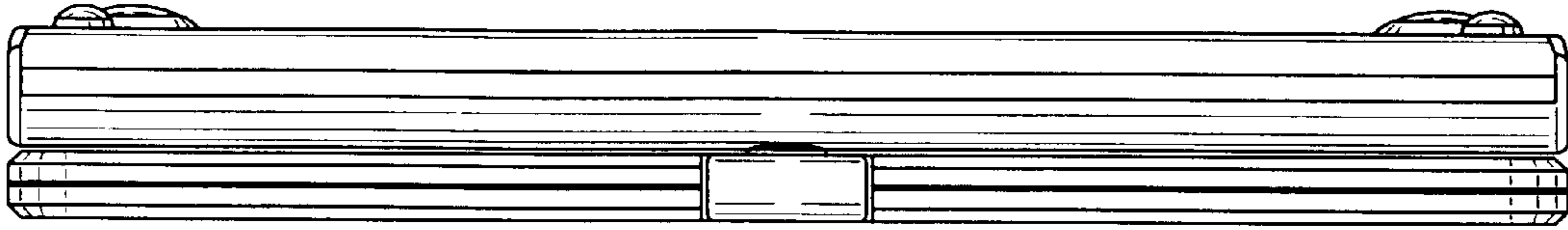


FIG. 3

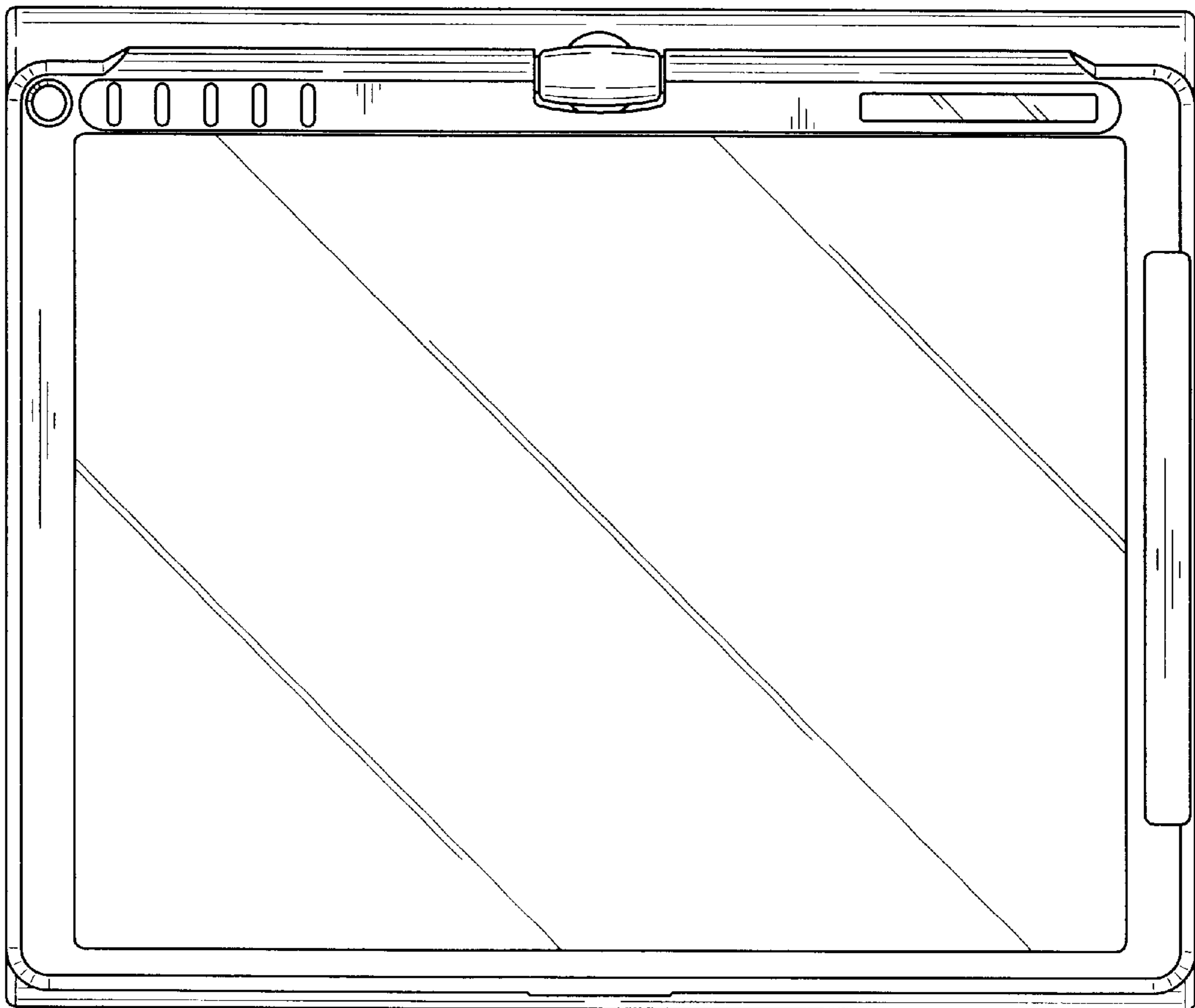


FIG. 4

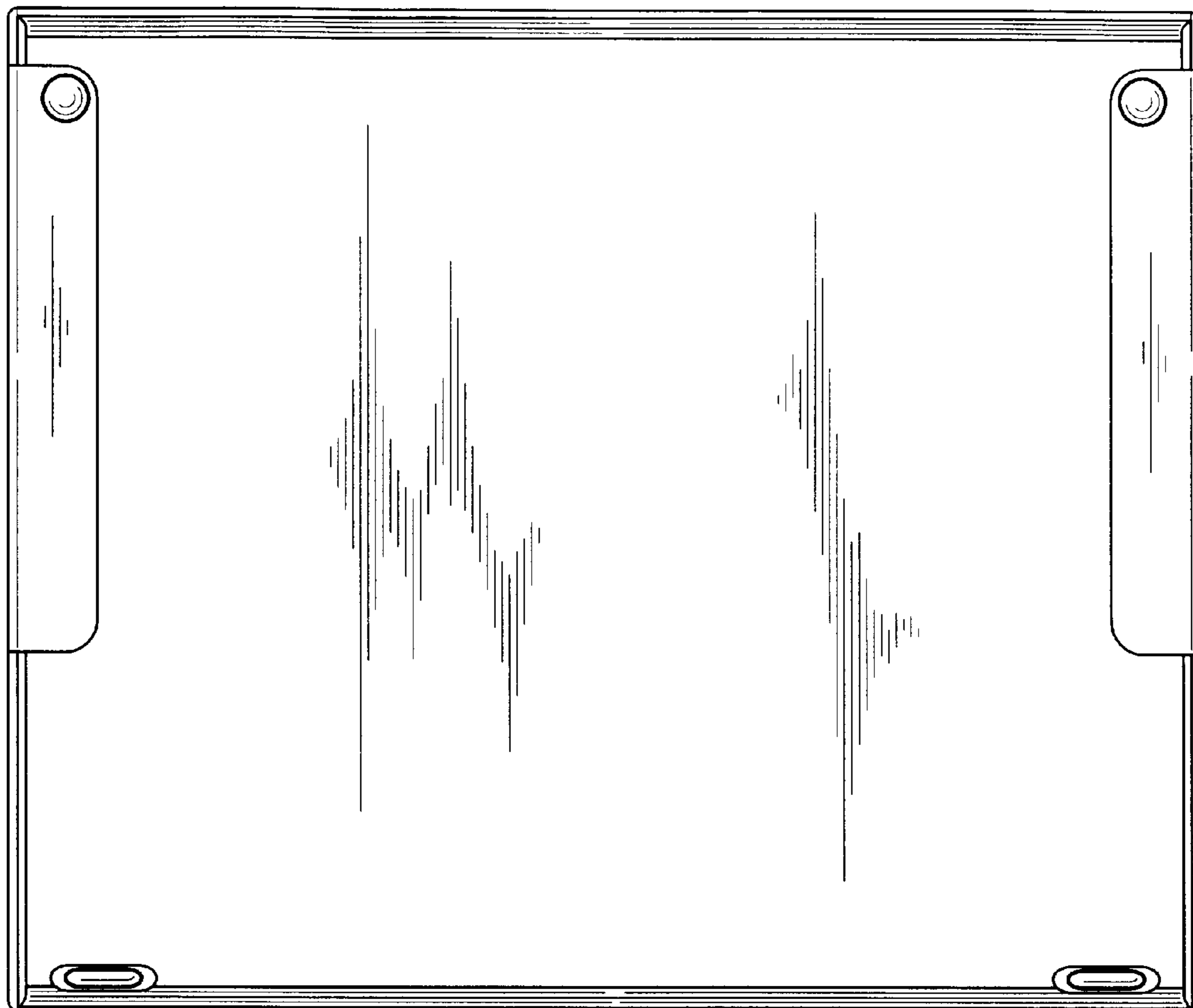


FIG. 5

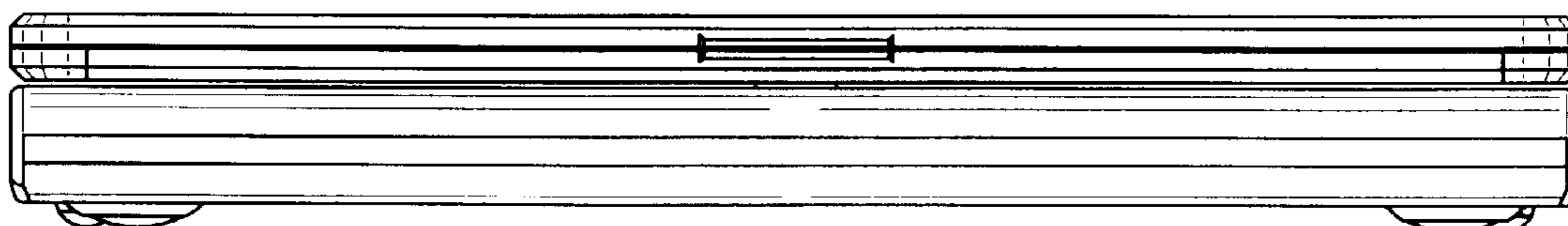


FIG. 6

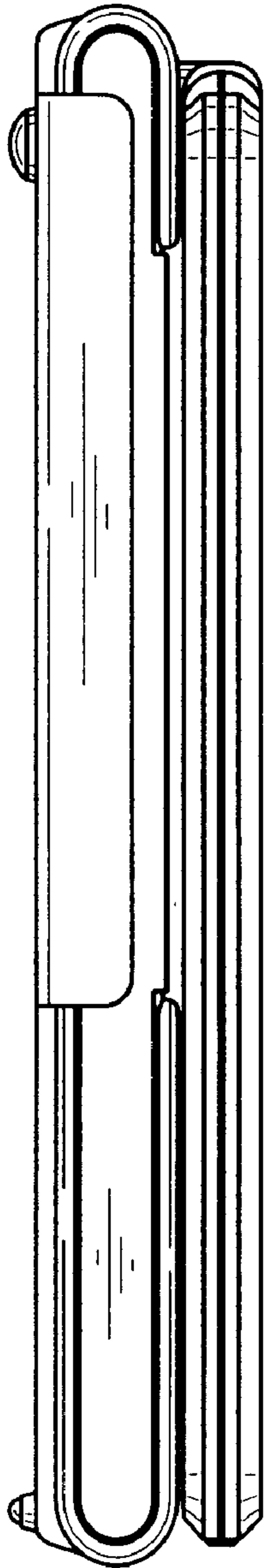


FIG. 7

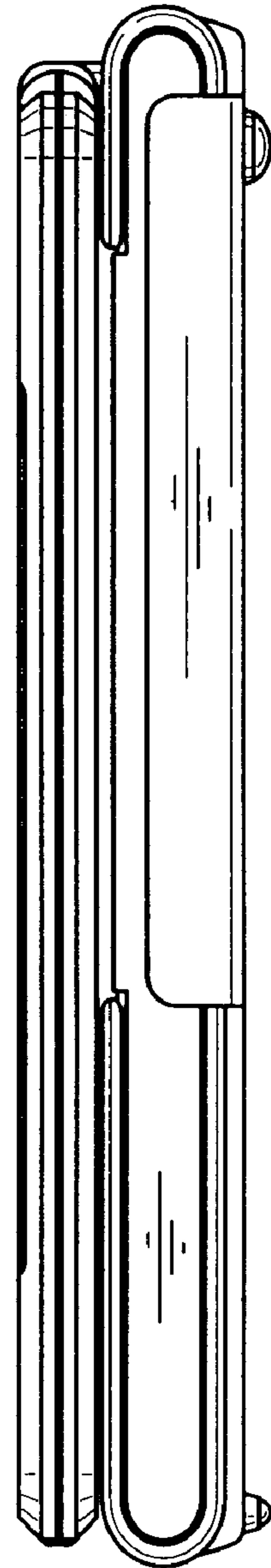


FIG. 8

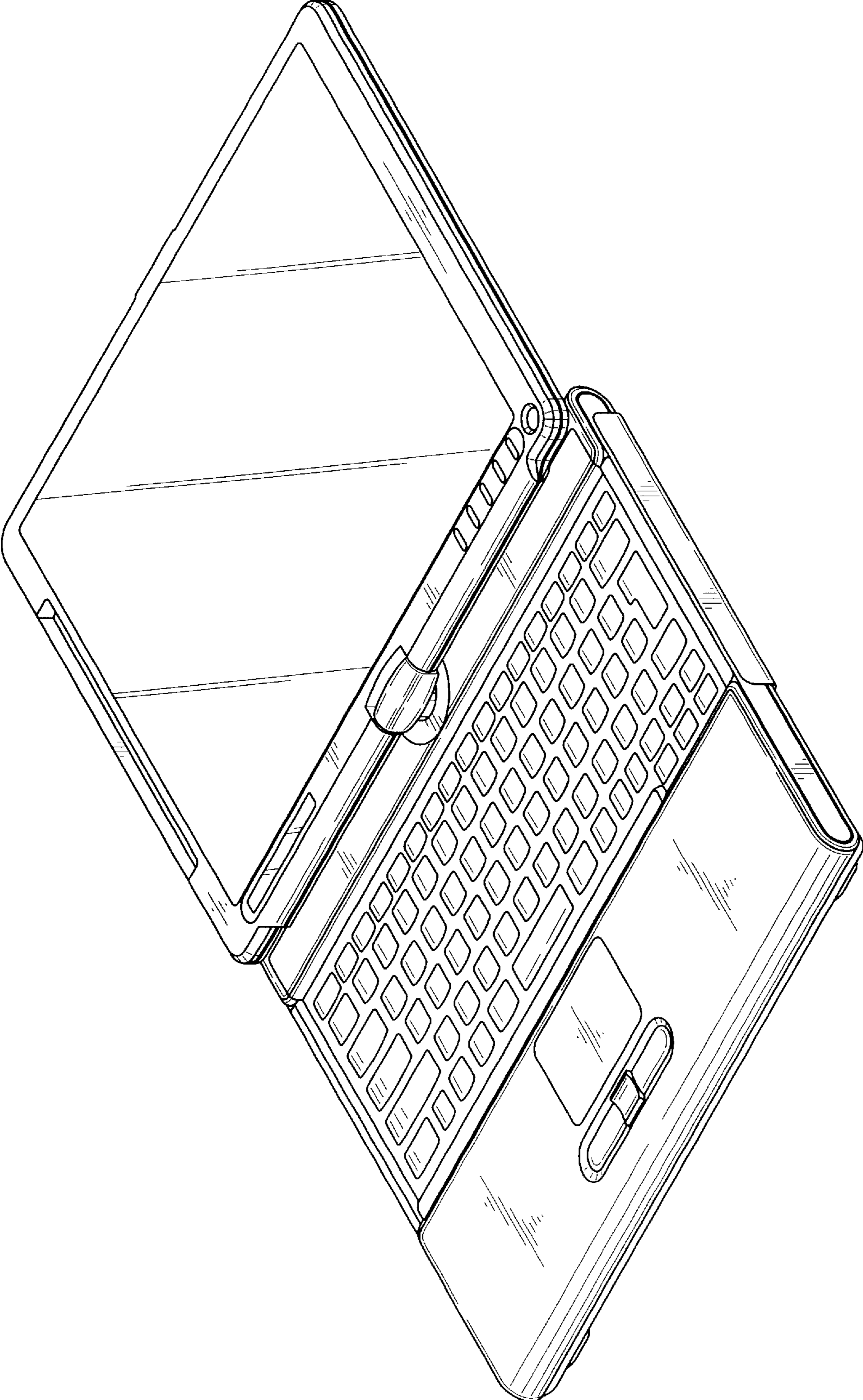


FIG. 9

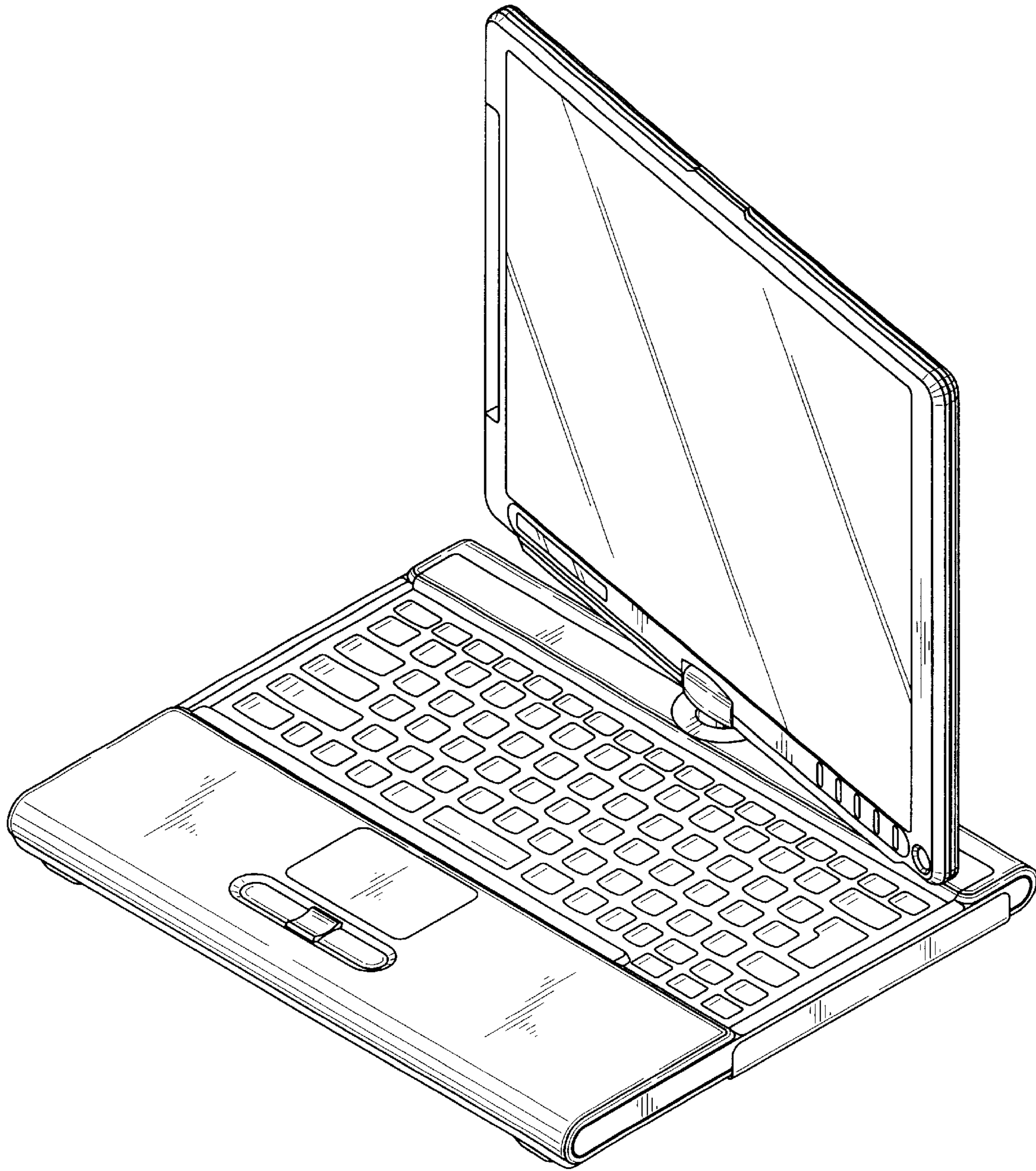


FIG. 10

