



US00D521991S

(12) **United States Design Patent**  
**Storti et al.**

(10) **Patent No.:** **US D521,991 S**

(45) **Date of Patent:** **\*\* May 30, 2006**

(54) **PORTION OF A FRONT PANEL FOR AN ELECTRONIC DEVICE**

(75) Inventors: **William J. Storti**, Haverford, PA (US);  
**Paul D. Baker**, San Diego, CA (US);  
**Kun-Pei P. Chen**, San Diego, CA (US);  
**Dwight T. Sakuma**, Doylestown, PA (US);  
**Bryan K. Zublin**, Poway, CA (US);  
**Paul Ocepek**, Norfolk, MA (US)

(73) Assignee: **General Instrument Corporation**,  
Horsham, PA (US)

(\*\*) Term: **14 Years**

(21) Appl. No.: **29/204,579**

(22) Filed: **Apr. 30, 2004**

(51) **LOC (8) Cl.** ..... **14-03**

(52) **U.S. Cl.** ..... **D14/257**

(58) **Field of Classification Search** ..... D14/258,  
D14/257, 224, 217, 192, 188, 168, 167, 165,  
D14/164, 163, 162, 161, 160, 156, 154, 136,  
D14/135; 720/691, 658; 704/270; 455/350,  
455/347, 344, 575.1; 396/434, 93; 386/1;  
369/93, 75.1; 360/47, 4; 359/550

See application file for complete search history.

(56) **References Cited**

**U.S. PATENT DOCUMENTS**

D315,560 S \* 3/1991 Yun ..... D14/157  
D444,136 S \* 6/2001 Sogabe ..... D14/156

D462,951 S \* 9/2002 Storti et al. .... D14/257  
D470,484 S \* 2/2003 Storti et al. .... D14/257  
D486,134 S \* 2/2004 Hori et al. .... D14/157  
D500,303 S \* 12/2004 Riede et al. .... D14/188  
D500,997 S \* 1/2005 Nakamura ..... D14/157  
2003/0083039 A1 \* 5/2003 Shimizu et al. .... 455/347  
2003/0193871 A1 \* 10/2003 Tobishima et al. .... 369/75.1

\* cited by examiner

*Primary Examiner*—Cathron C. Brooks

*Assistant Examiner*—Austin Murphy

(74) *Attorney, Agent, or Firm*—Benjamin D. Deiscoil

(57) **CLAIM**

The ornamental design for a portion of a front panel for an electronic device, as shown and described.

**DESCRIPTION**

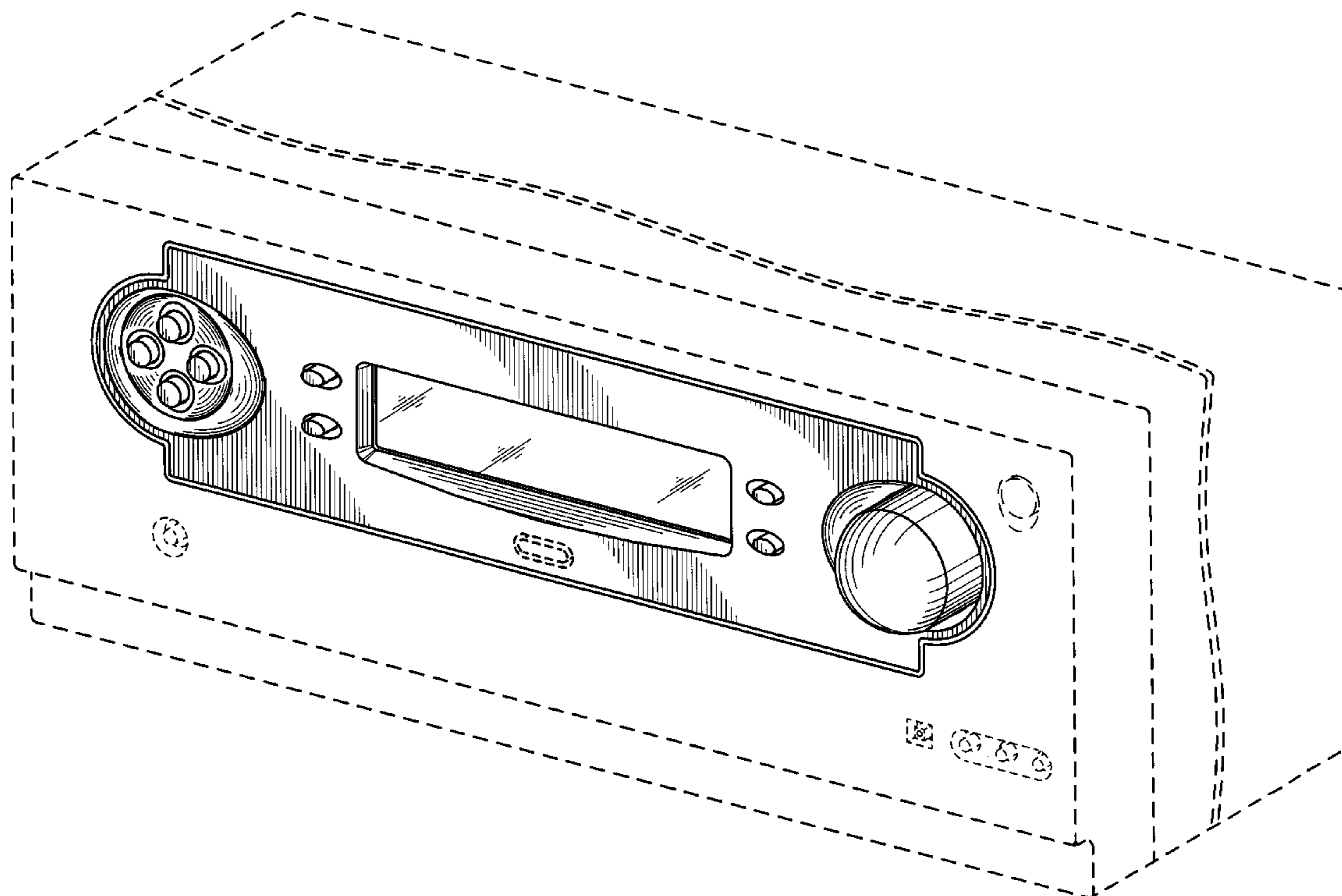
FIG. 1 is a perspective view, from the front and above, of a portion of a front panel for an electronic device in accordance with a first embodiment of the present invention;

FIG. 2 is a front view thereof; and,

FIG. 3 is a perspective view, from the front and above, of a second exemplary embodiment of the present invention, which differs from the first embodiment in that the len is translucent.

The broken lines shown in FIGS. 1–3 represent environmental subject matter and form no part of the claimed design. The rear, top, bottom, left side and right side views are omitted and form no part of the claimed design.

**1 Claim, 3 Drawing Sheets**



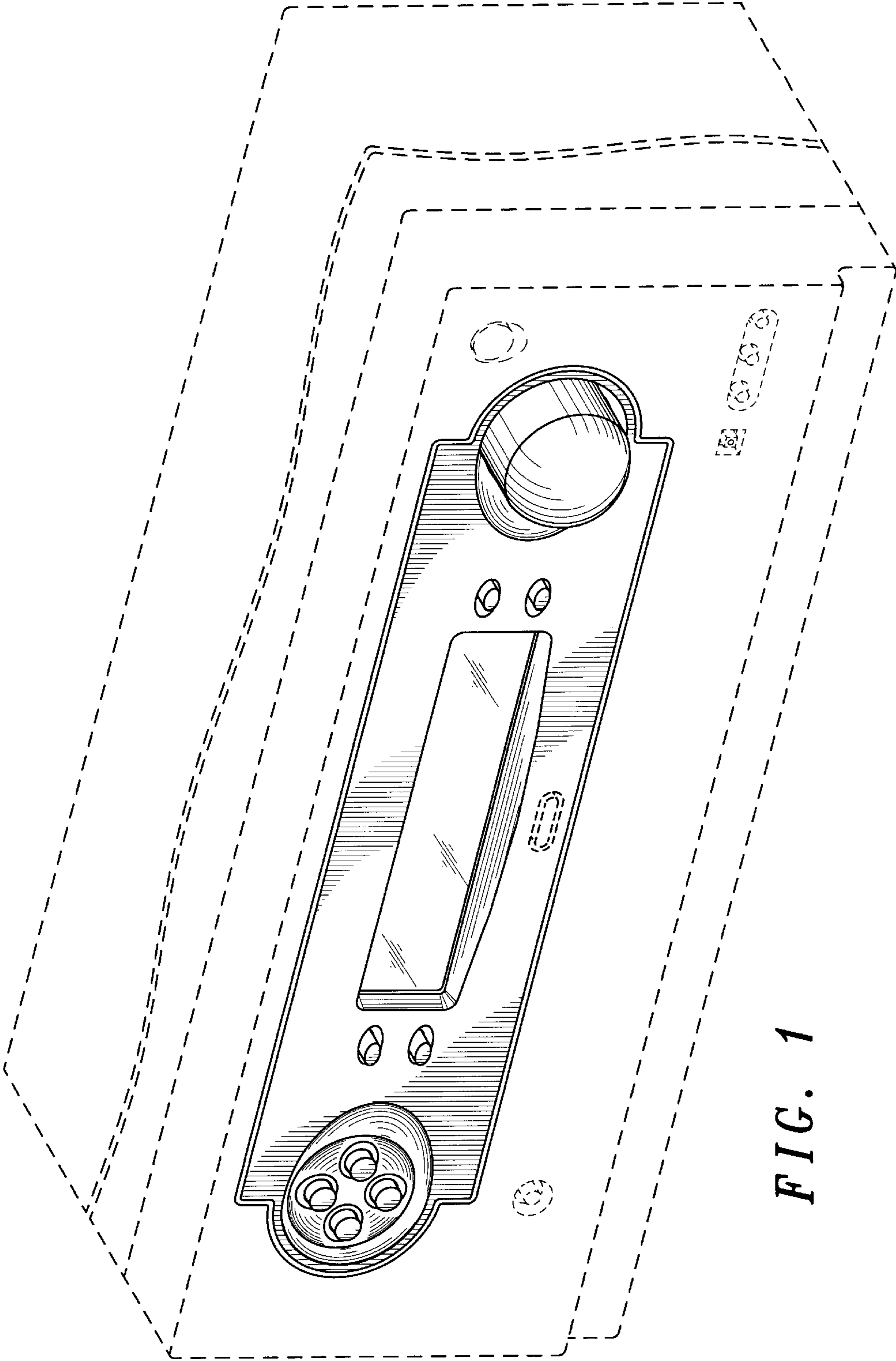


FIG. 1

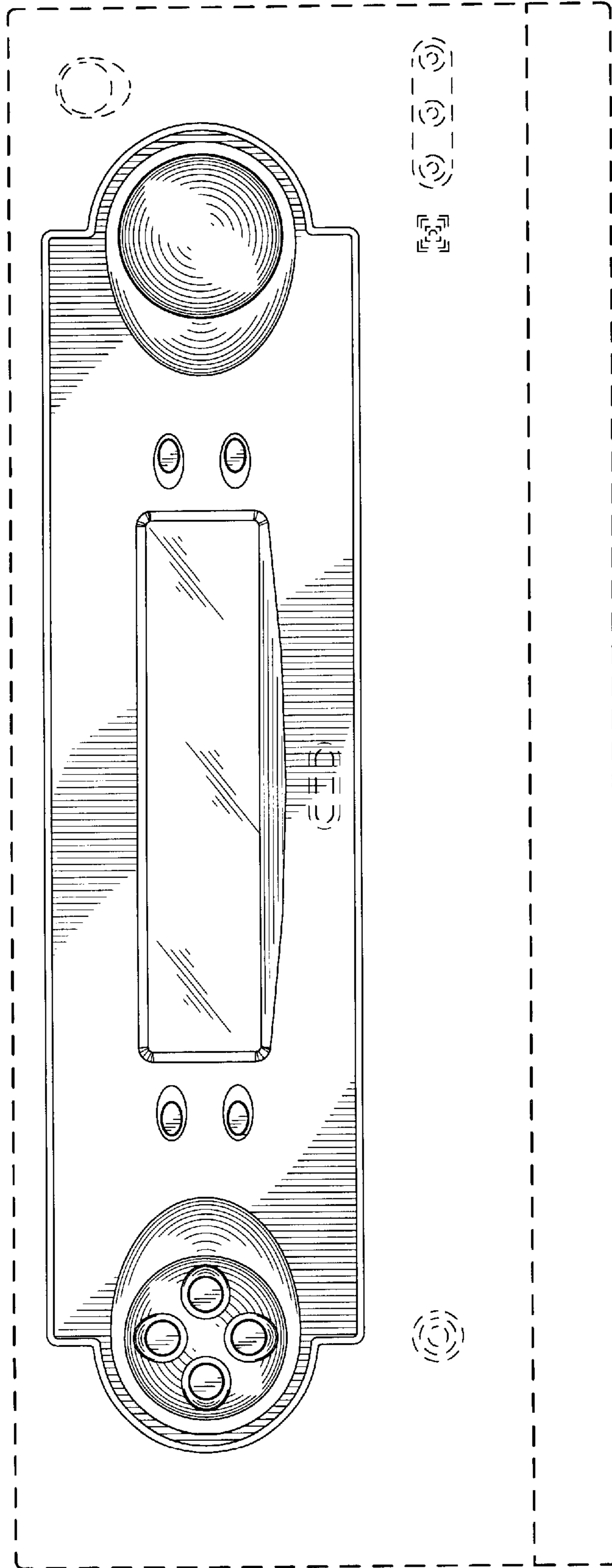


FIG. 2

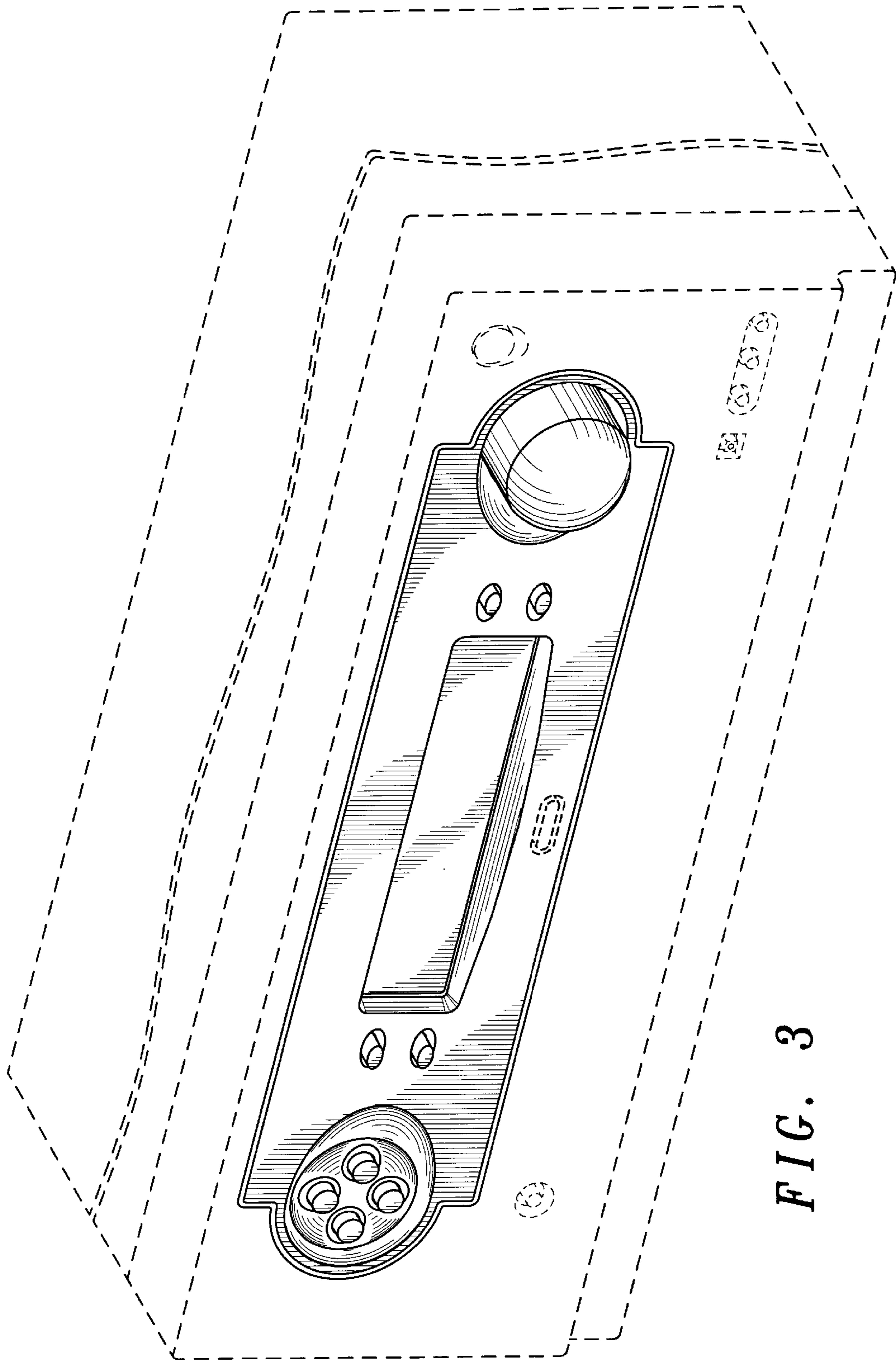


FIG. 3