

US00D521990S

(12) **United States Design Patent** (10) **Patent No.:** **US D521,990 S**  
**Richter** (45) **Date of Patent:** **\*\* May 30, 2006**

(54) **ELECTRONIC INSTRUMENT SUPPORT SYSTEM**

(76) Inventor: **Herbert Richter**, Drosselweg 8, 75331 Engelbrand (DE)

(\*\*) Term: **14 Years**

(21) Appl. No.: **29/197,000**

(22) Filed: **Jan. 8, 2004**

(51) **LOC (8) Cl.** ..... **14-03**

(52) **U.S. Cl.** ..... **D14/253**; D14/434; D14/447

(58) **Field of Classification Search** ..... D3/218;  
D14/146, 251-253, 434, 447; 248/160, 206.2,  
248/274.1; 379/419, 426, 430, 446, 448,  
379/449, 454, 455; 455/90.3, 575.1, 575.2,  
455/575.6, 575.9

See application file for complete search history.

(56) **References Cited**

**U.S. PATENT DOCUMENTS**

2,784,261 A \* 3/1957 Anklesaria ..... 379/455  
4,569,498 A \* 2/1986 Ermanski ..... 248/441.1  
4,842,174 A \* 6/1989 Sheppard et al. .... 224/548  
5,392,350 A \* 2/1995 Swanson ..... 379/446  
5,568,549 A \* 10/1996 Wang ..... 379/446  
5,707,137 A \* 1/1998 Hon ..... 362/183  
D390,849 S \* 2/1998 Richter et al. .... D14/253  
D391,265 S \* 2/1998 Richter ..... D14/253  
D396,815 S \* 8/1998 Richter ..... D10/68  
5,799,914 A \* 9/1998 Chivallier et al. .... 248/176.1  
5,839,919 A \* 11/1998 Chen ..... 439/529  
D408,725 S \* 4/1999 Adams ..... D8/373  
D410,622 S \* 6/1999 Richter ..... D12/425  
5,937,537 A \* 8/1999 Miller ..... 34/97  
D415,771 S \* 10/1999 Richter ..... D14/253  
D417,751 S \* 12/1999 Simento ..... D28/73  
D421,213 S \* 2/2000 Addi ..... D8/373  
6,073,901 A \* 6/2000 Richter ..... 248/316.4  
6,142,432 A \* 11/2000 Amussen ..... 248/205.5  
6,142,486 A \* 11/2000 Cedarberg, III ..... 279/103

D448,654 S \* 10/2001 Snell ..... D8/367  
D456,024 S \* 4/2002 Richter ..... D14/434  
6,749,160 B1 \* 6/2004 Richter ..... 248/206.2  
2004/0155164 A1 \* 8/2004 Richter ..... 248/274.1  
2004/0254002 A1 \* 12/2004 Tsay ..... 455/575.9

**FOREIGN PATENT DOCUMENTS**

WO DM/066974 \* 9/2005

**OTHER PUBLICATIONS**

“Pama Plug N Go Anywhere”, 1 p including photo, [online], <URL:www.mobiles.co.uk/generic/pngany.htm>, posted Dec. 15, 2005.\*

\* cited by examiner

*Primary Examiner*—Jeffrey D. Asch  
*Assistant Examiner*—C. J. Wright  
(74) *Attorney, Agent, or Firm*—Klaus J. Bach

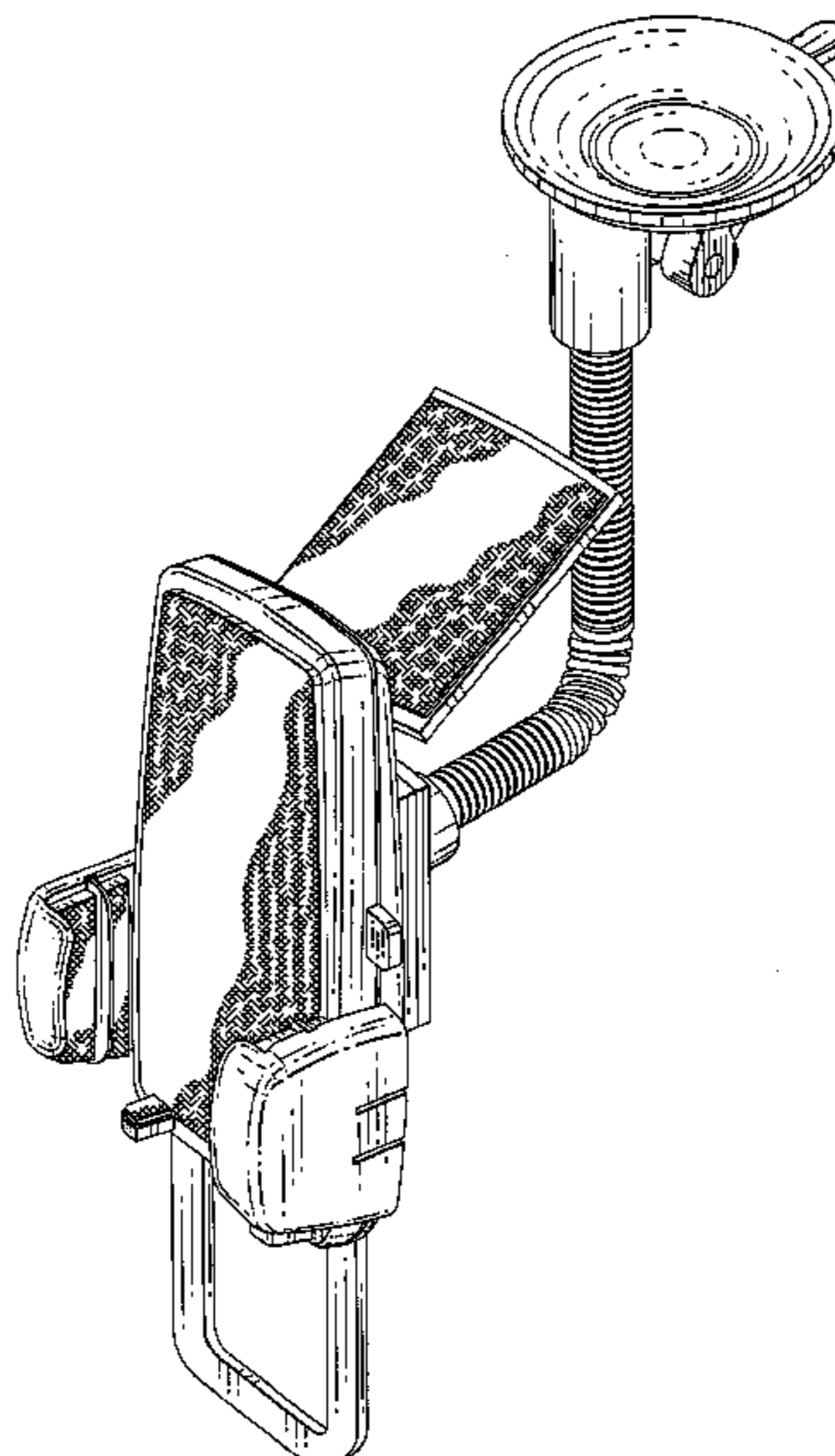
(57) **CLAIM**

The ornamental design for an electronic instrument support system, as shown and described.

**DESCRIPTION**

FIG. 1 is a perspective view of an electronic instrument support system,  
FIG. 2 is a left side view of the electronic instrument support system shown in FIG. 1  
FIG. 3 is a right side view of the electronic instrument support system shown in FIG. 1,  
FIG. 4 is a front view of the electronic instrument support system shown in FIG. 1,  
FIG. 5 is a rear view of the electronic instrument support system shown in FIG. 1,  
FIG. 6 is a top view of the electronic instrument support system shown in FIG. 1; and,  
FIG. 7 is a bottom view of the electronic instrument support system shown in FIG. 1.

**1 Claim, 7 Drawing Sheets**



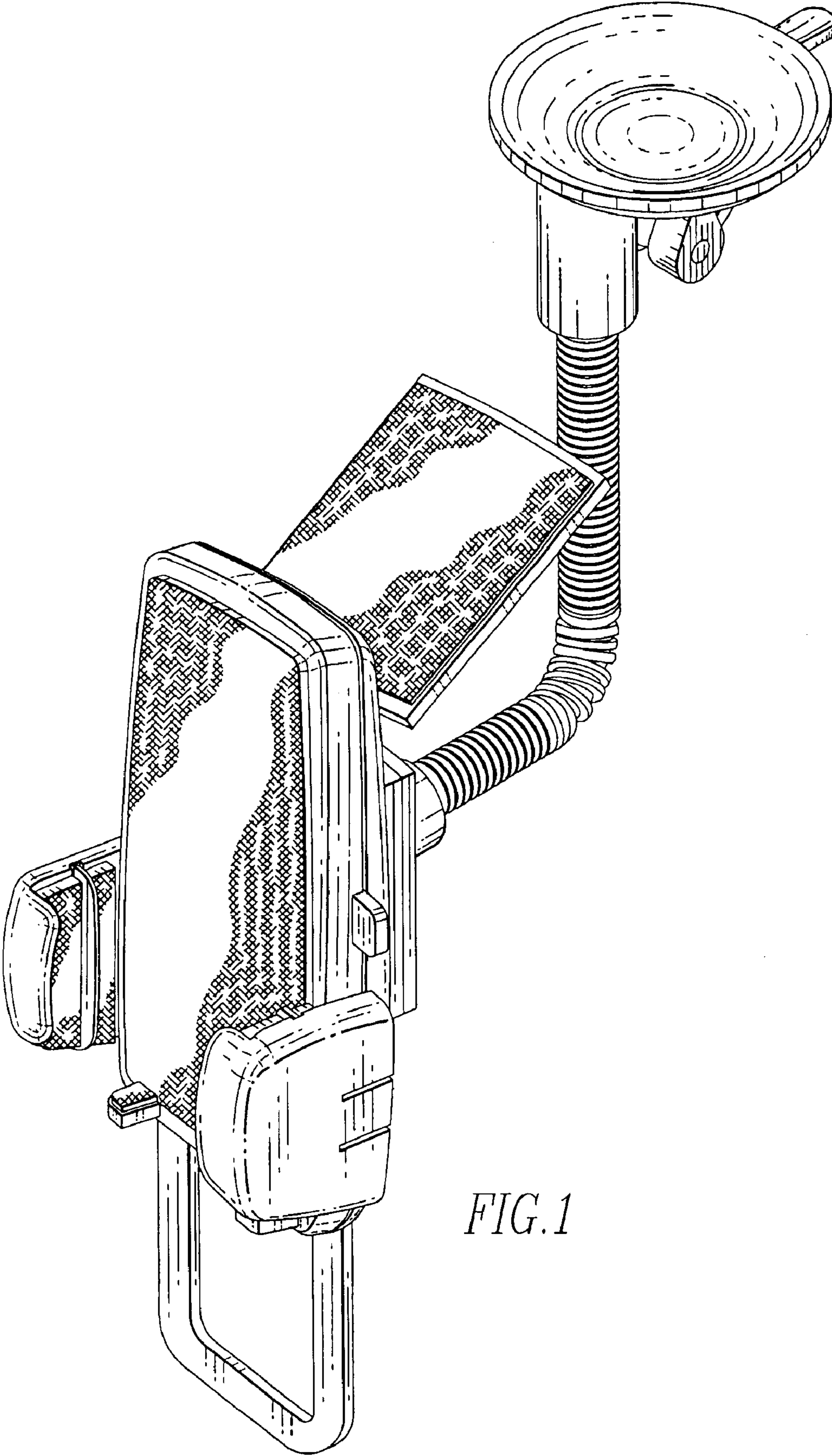


FIG. 1

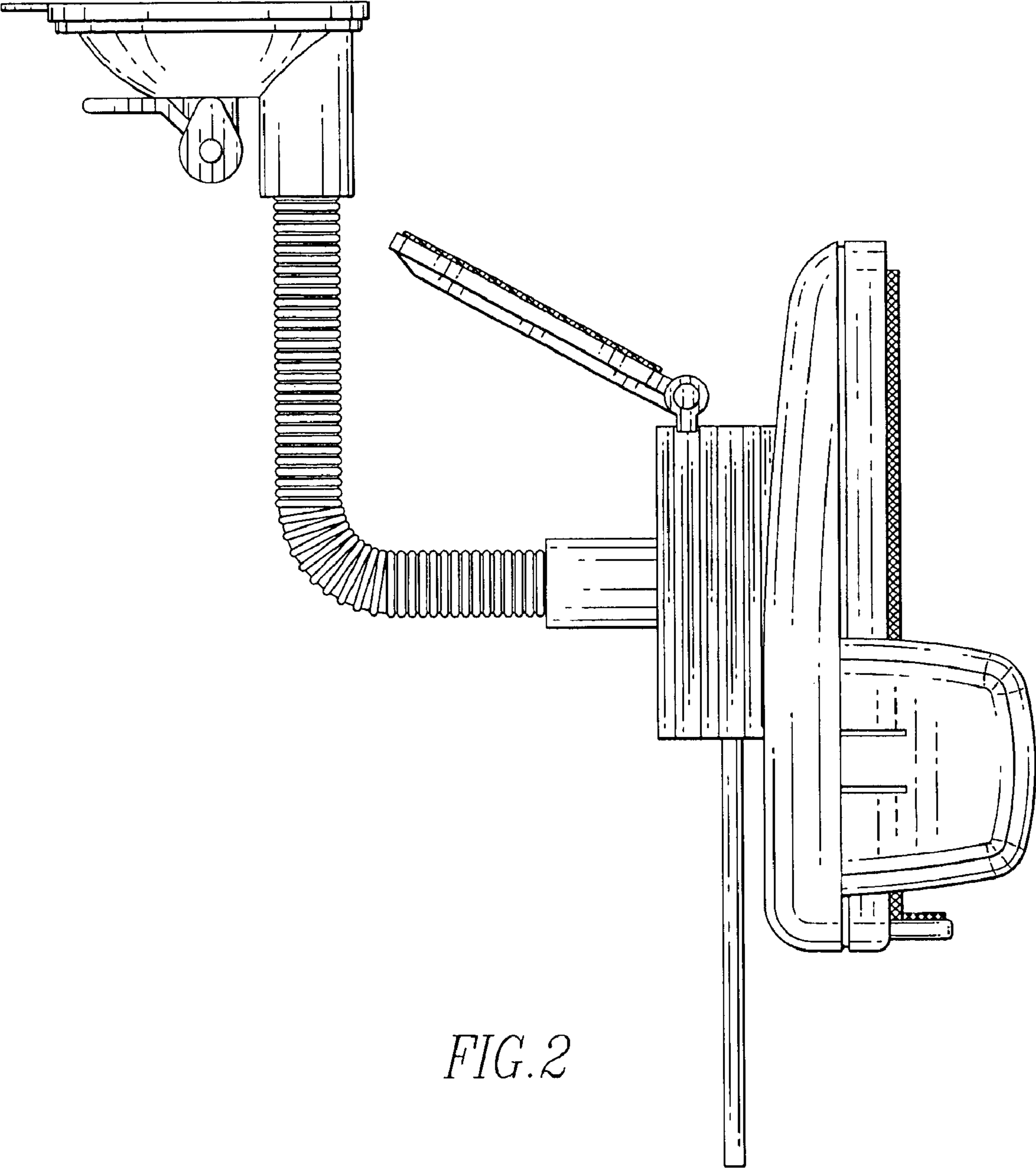


FIG. 2

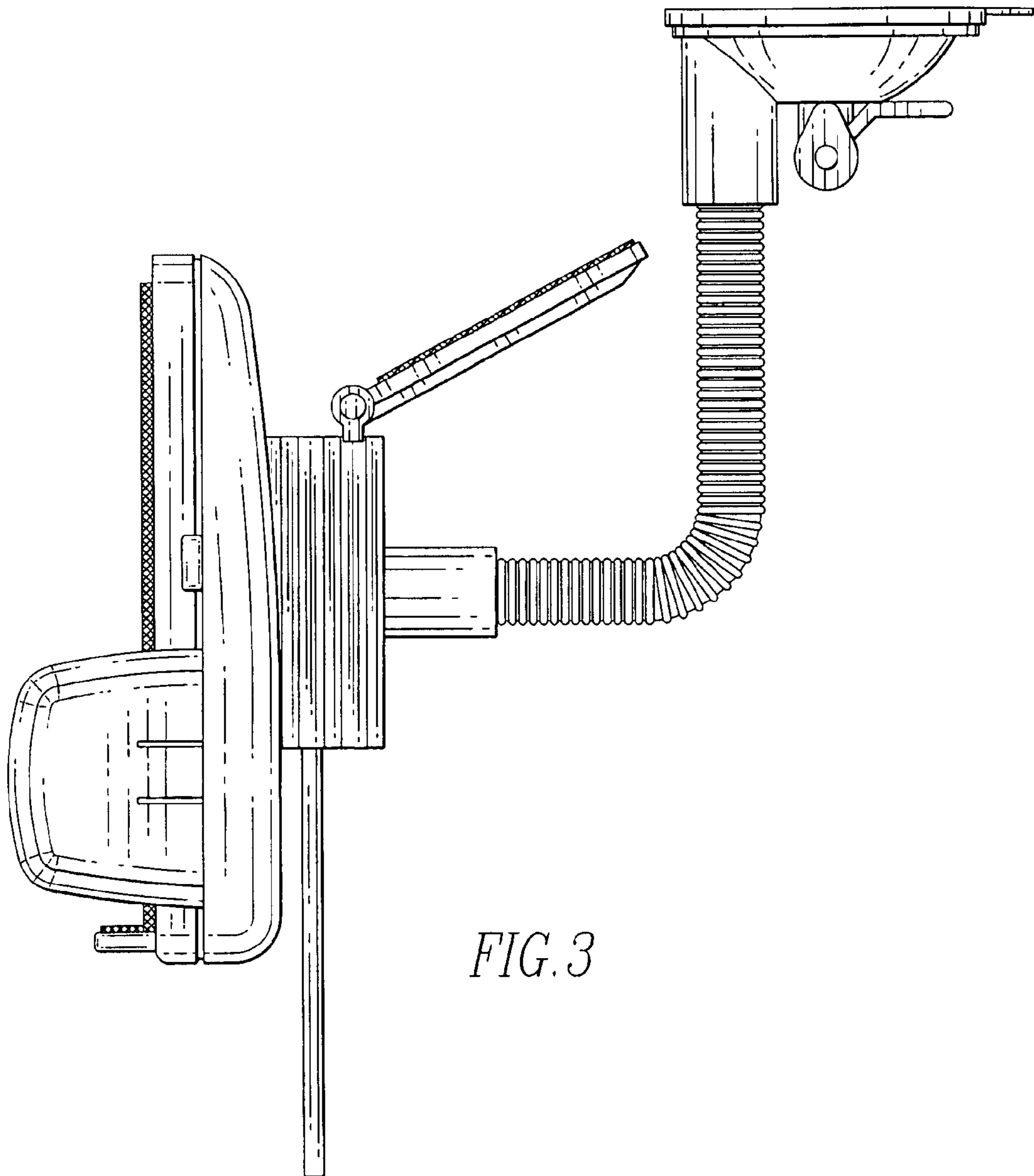


FIG. 3

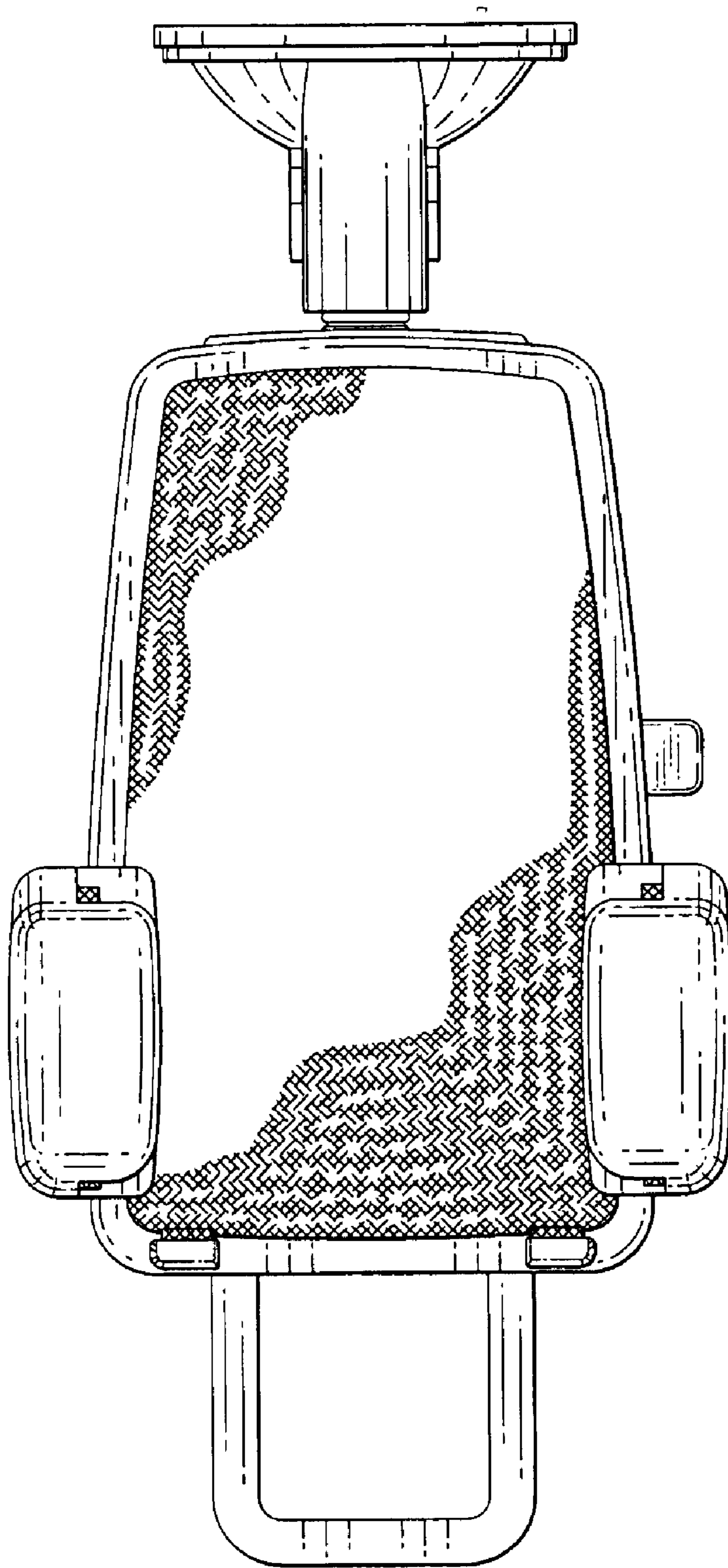


FIG. 4

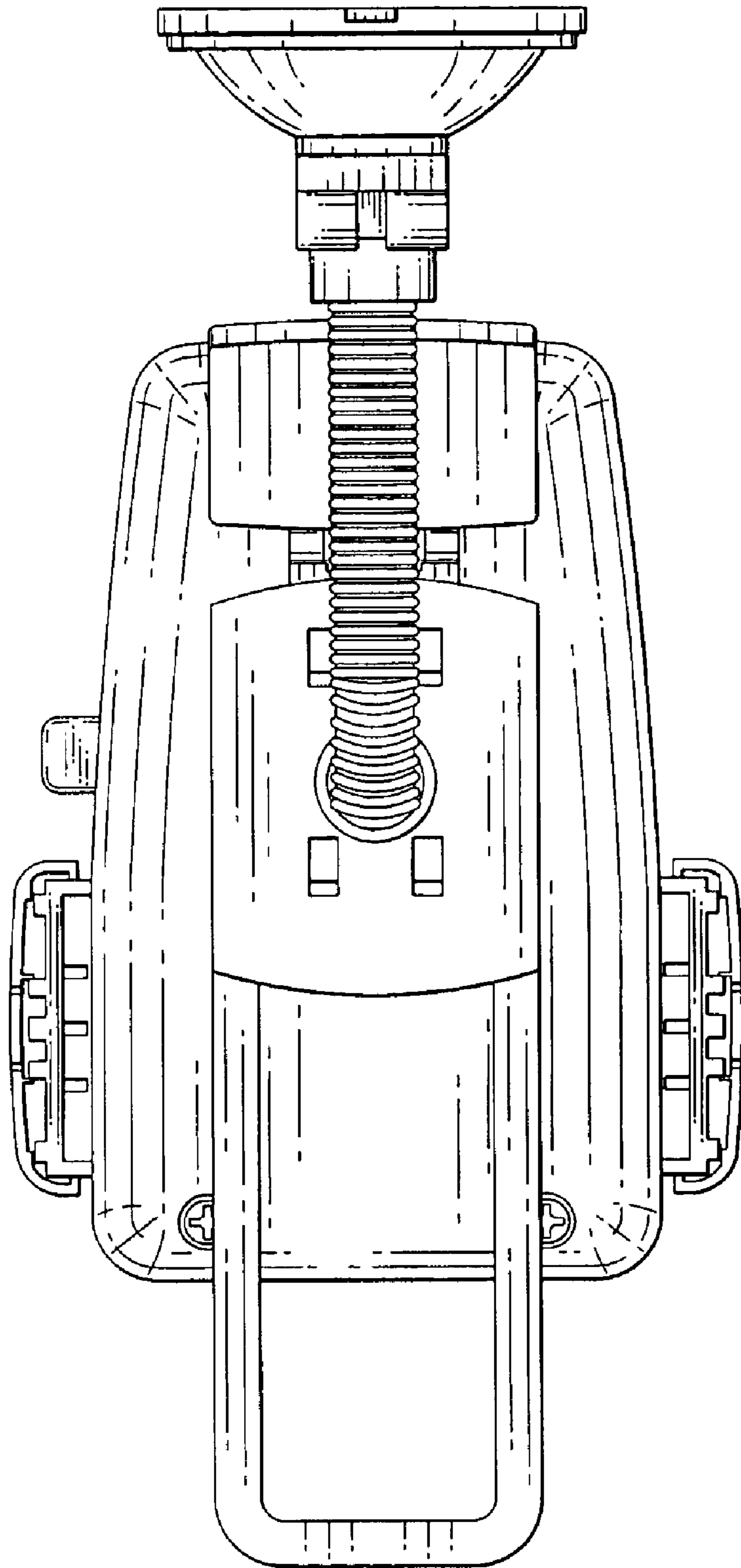


FIG. 5

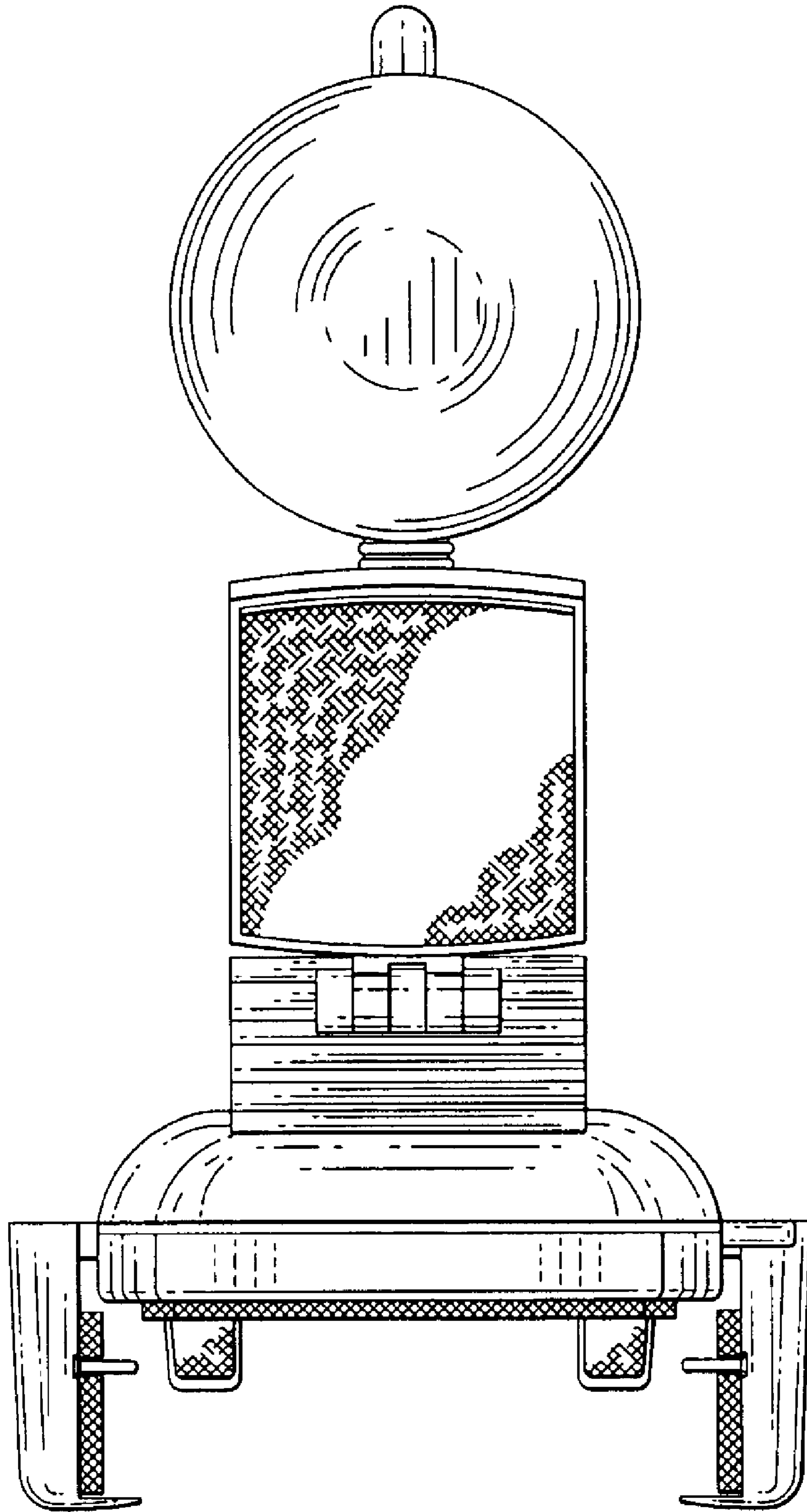


FIG. 6

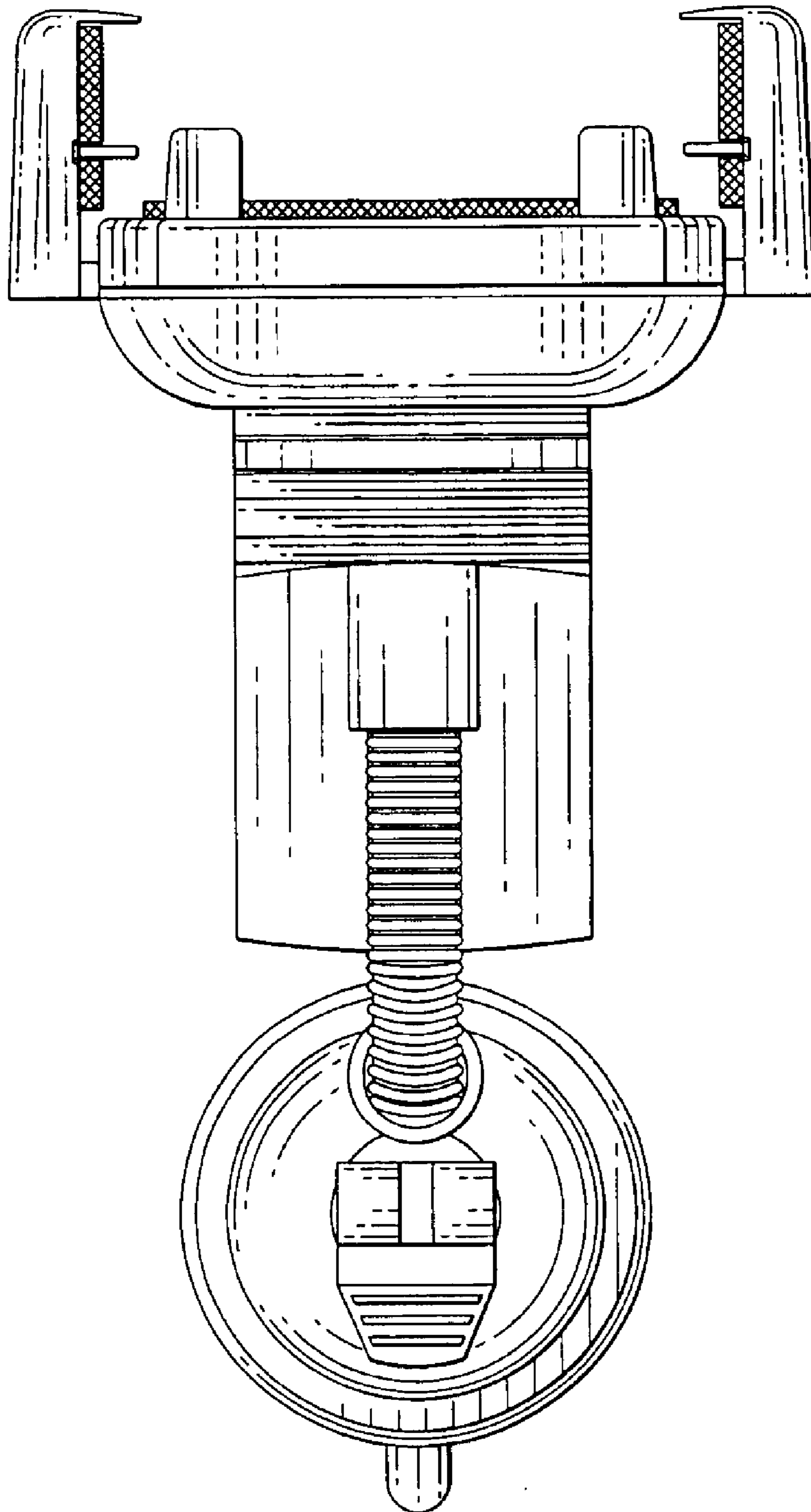


FIG. 7