



US00D521986S

(12) **United States Design Patent**  
**Depay et al.**

(10) **Patent No.:** **US D521,986 S**

(45) **Date of Patent:** **\*\* May 30, 2006**

(54) **REMOTE CONTROL**

(75) Inventors: **Dean Depay**, San Jose, CA (US);  
**Guillermo Andres**, Pleasanton, CA  
(US)

(73) Assignee: **Hewlett-Packard Development  
Company, L.P.**, Houston, TX (US)

(\*\*) Term: **14 Years**

(21) Appl. No.: **29/226,220**

(22) Filed: **Mar. 24, 2005**

(51) **LOC (8) Cl.** ..... **14-03**

(52) **U.S. Cl.** ..... **D14/218**

(58) **Field of Classification Search** ..... D14/174,  
D14/217, 218, 137-139, 151, 191-193, 299,  
D14/167, 168; D13/168, 162-164; D21/512-517,  
D21/566; D10/104, 106; 455/352-355, 151.1-151.4,  
455/128, 347, 90.3; 348/114, 734  
See application file for complete search history.

(56) **References Cited**

**U.S. PATENT DOCUMENTS**

D246,975 S \* 1/1978 Hampf ..... D14/191

D301,037 S \* 5/1989 Matsuda ..... D14/218  
D326,449 S \* 5/1992 Wachob et al. .... D14/138  
D372,246 S \* 7/1996 Renk et al. .... D14/218  
D506,463 S \* 6/2005 Daniels ..... D14/218

\* cited by examiner

*Primary Examiner*—Louis S. Zarfaz  
*Assistant Examiner*—John Windmuller

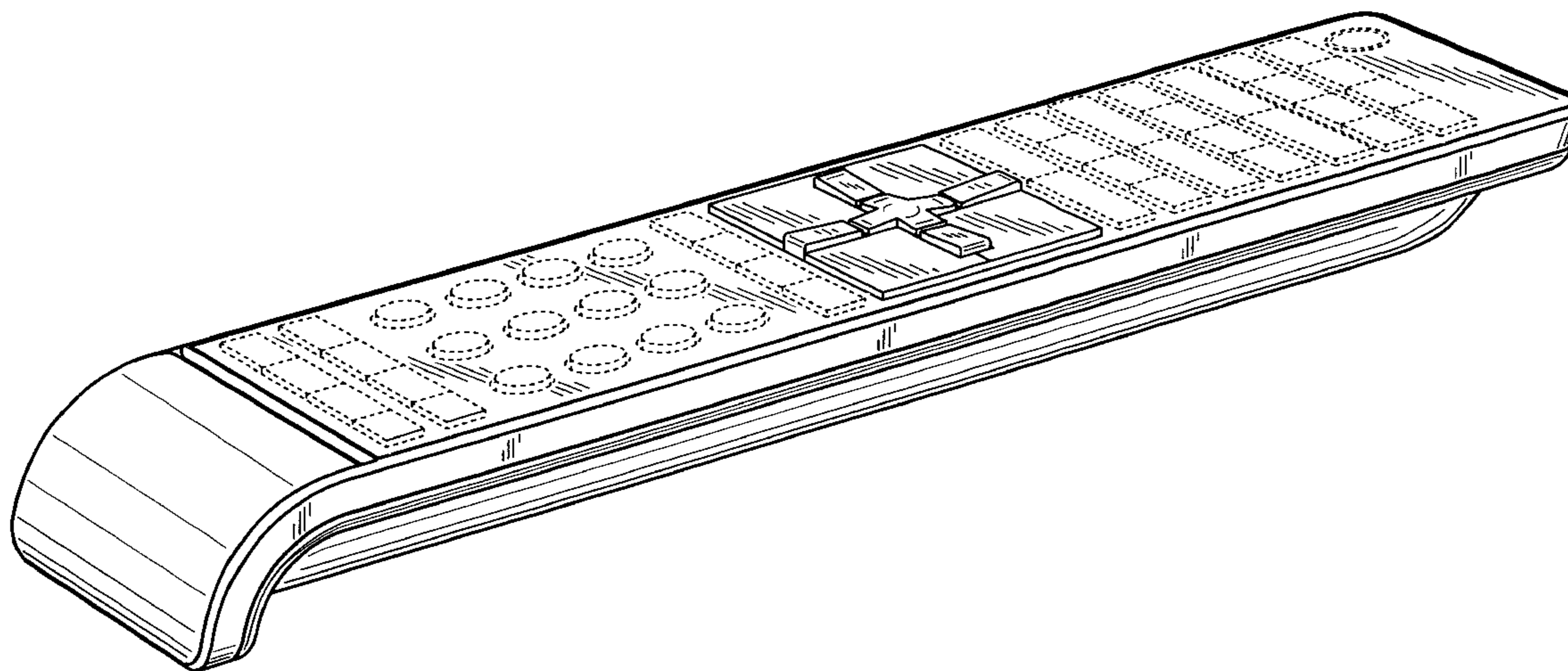
(57) **CLAIM**

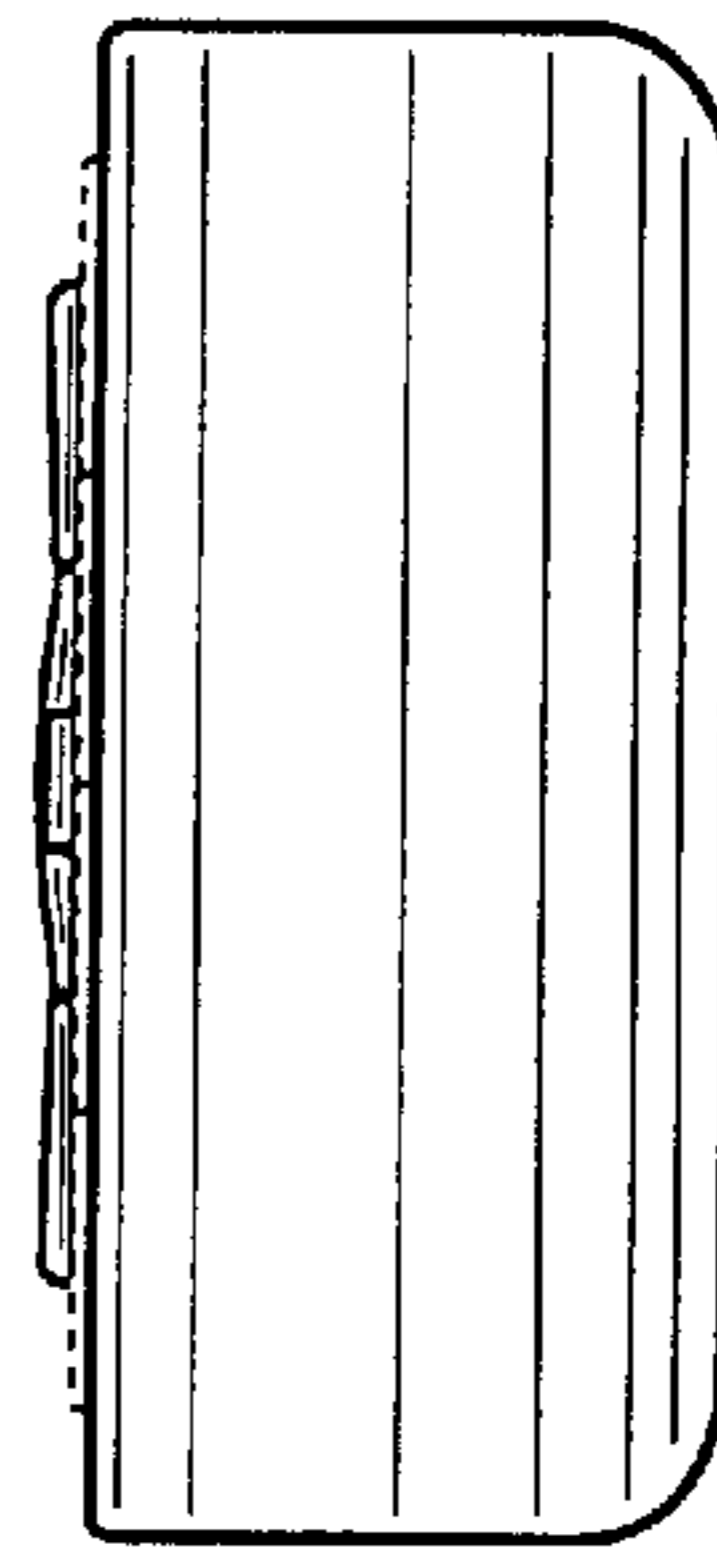
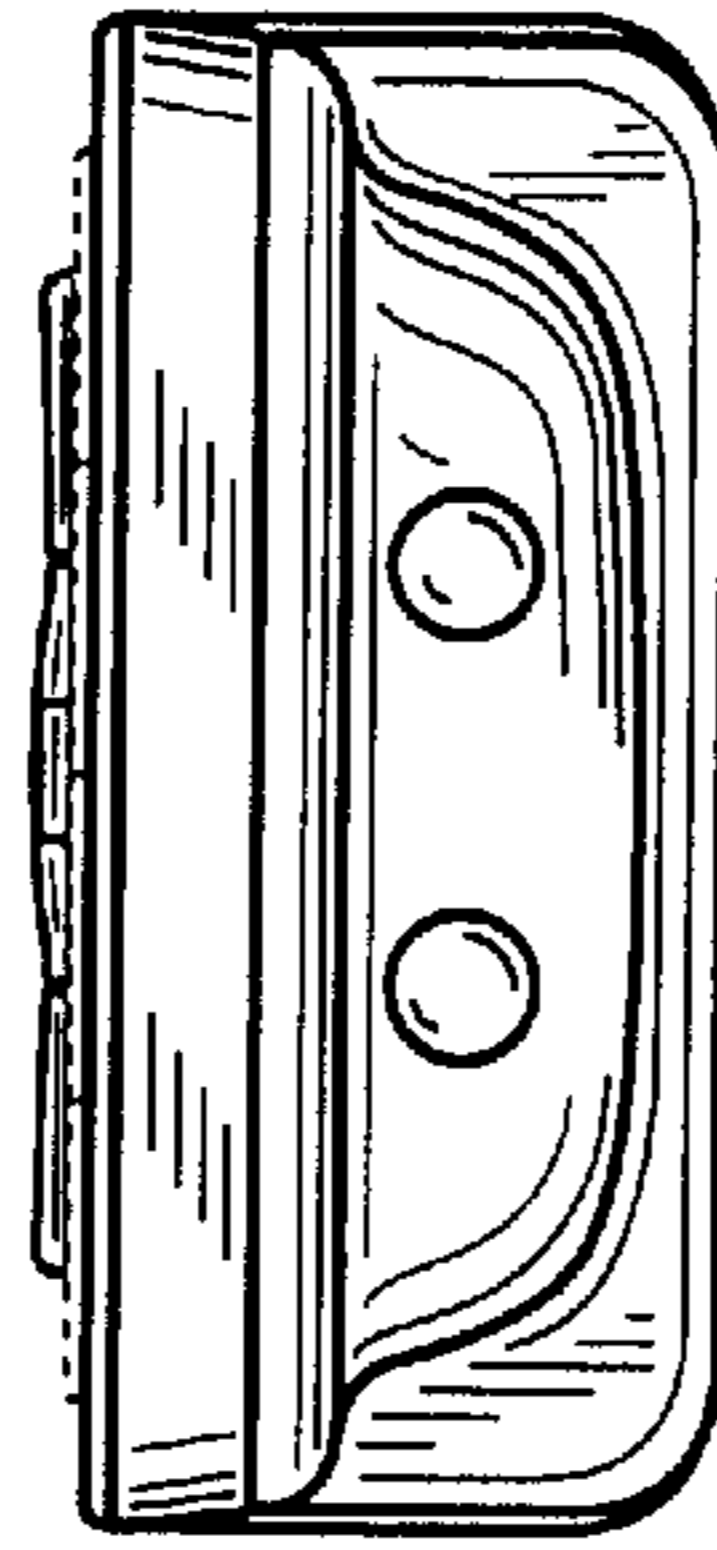
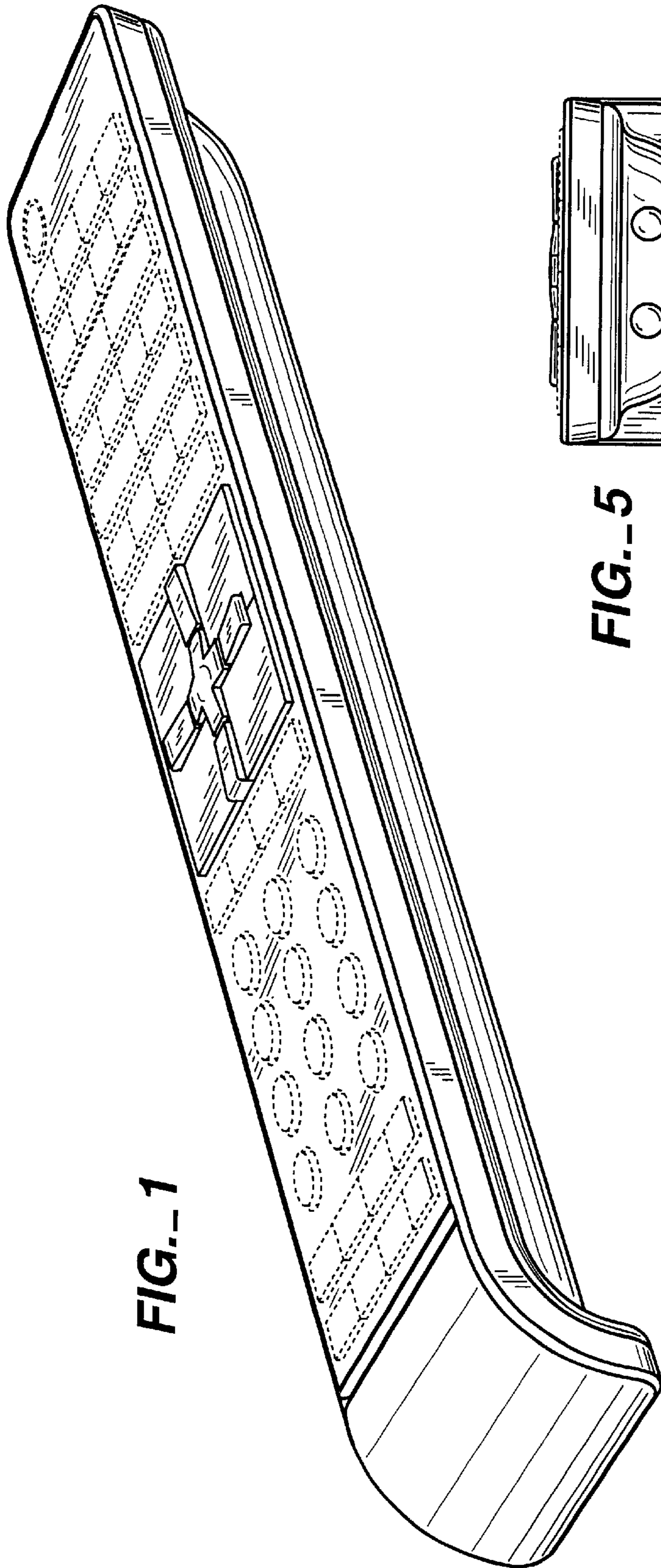
We claim the ornamental design for a remote control, as shown and described.

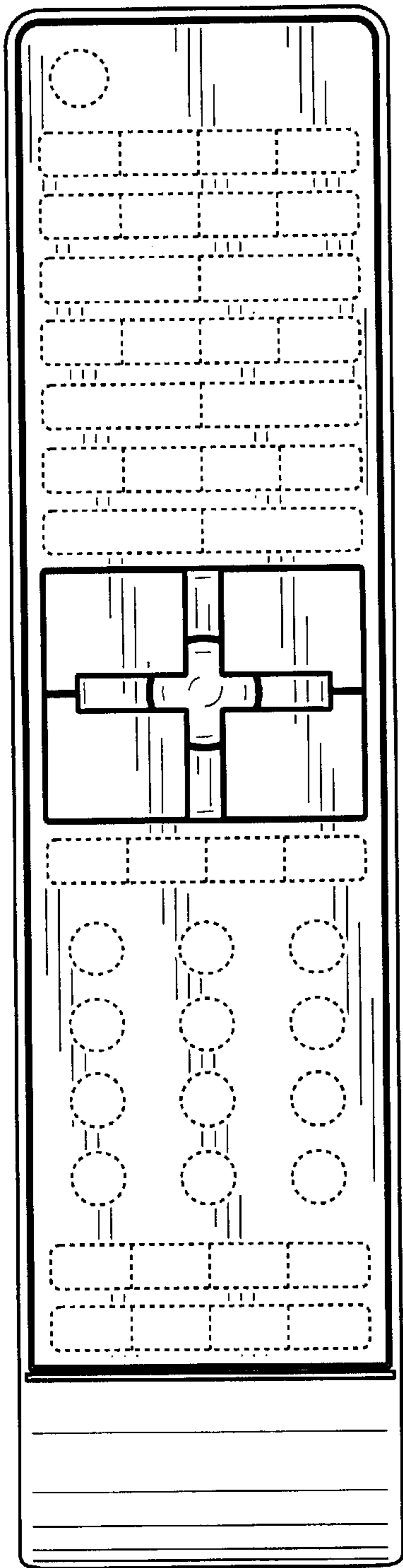
**DESCRIPTION**

FIG. 1 is a front bottom perspective view of a remote control showing our new design;  
FIG. 2 is a front elevational view thereof;  
FIG. 3 is a left side elevational view thereof, the right side elevational view being a mirror image;  
FIG. 4 is a rear elevational view thereof;  
FIG. 5 is a top plan view thereof; and,  
FIG. 6 is a bottom plan view thereof.  
The broken lines in the figures are for illustrative purposes only and form no part of the claimed design.

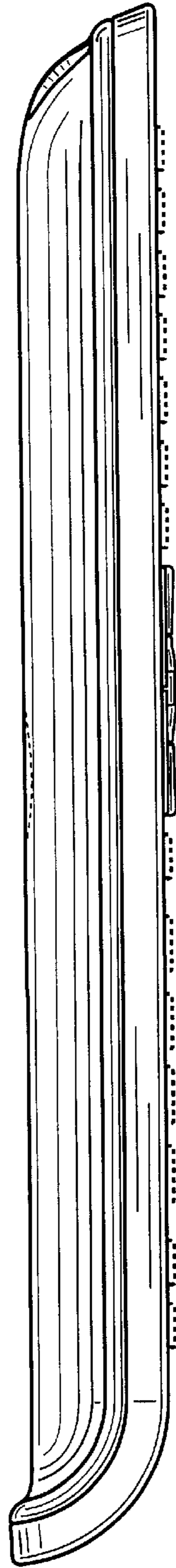
**1 Claim, 2 Drawing Sheets**



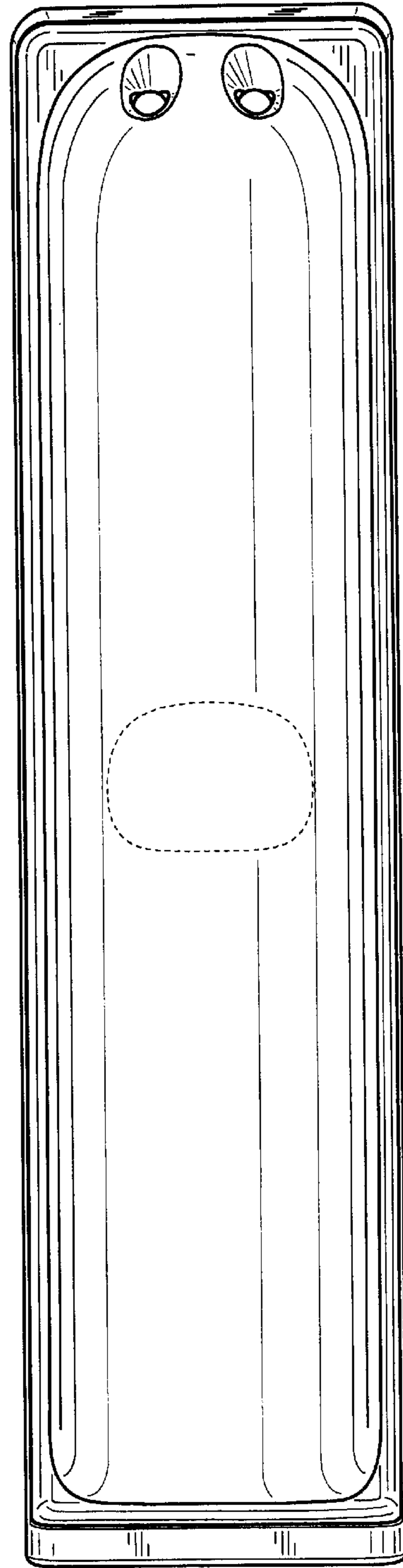




**FIG. 2**



**FIG. 3**



**FIG. 4**