

US00D521985S

(12) **United States Design Patent**  
**Thibado**

(10) **Patent No.:** **US D521,985 S**

(45) **Date of Patent:** **\*\* May 30, 2006**

(54) **ELONGATED RECESSED BACK VISUAL  
FEEDBACK HAND HELD TRANSCEIVER**

(76) Inventor: **Paul Thibado**, 1626 E. Ridgeway Dr.,  
Fayetteville, AR (US) 72701

(\*\*) Term: **14 Years**

(21) Appl. No.: **29/211,052**

(22) Filed: **Aug. 9, 2004**

(51) **LOC (8) Cl.** ..... **14-03**

(52) **U.S. Cl.** ..... **D14/218; D14/358**

(58) **Field of Classification Search** ..... D14/174,  
D14/217, 218, 137-139, 151, 191-193, 299,  
D14/167, 358, 168; D13/168, 162-164; D21/512-517,  
D21/566; D10/104, 106; 455/352-355, 151.1-151.4,  
455/128, 347, 90.3, 2.01, 3.05, 458, 500;  
348/114, 734; 370/310, 312; 434/335, 336,  
434/350, 351, 352

See application file for complete search history.

(56) **References Cited**

**U.S. PATENT DOCUMENTS**

D243,024 S \* 1/1977 Pablik ..... D14/137  
D291,888 S \* 9/1987 Fong et al. .... D14/155  
D301,037 S \* 5/1989 Matsuda ..... D14/218

D322,968 S \* 1/1992 Tabuchi ..... D14/138  
D325,581 S \* 4/1992 Schwartz ..... D14/218  
D383,457 S \* 9/1997 Yahaya ..... D14/137  
5,995,854 A \* 11/1999 Wilson ..... 455/575.5  
6,692,358 B1 \* 2/2004 Lawrence et al. .... 463/39

\* cited by examiner

*Primary Examiner*—Louis S. Zarfaz

*Assistant Examiner*—John Windmuller

(74) *Attorney, Agent, or Firm*—Keisling Piepeut & Scott  
PLC; David B. Pieper; Trent C. Keisling

(57) **CLAIM**

The ornamental design for an elongated recessed back visual  
feedback hand held transceiver, as shown and described.

**DESCRIPTION**

FIG. 1 is a top perspective view of an elongated recessed  
back visual feedback hand held transceiver showing my new  
design;

FIG. 2 is a top plan view thereof;

FIG. 3 is a left side elevational view thereof;

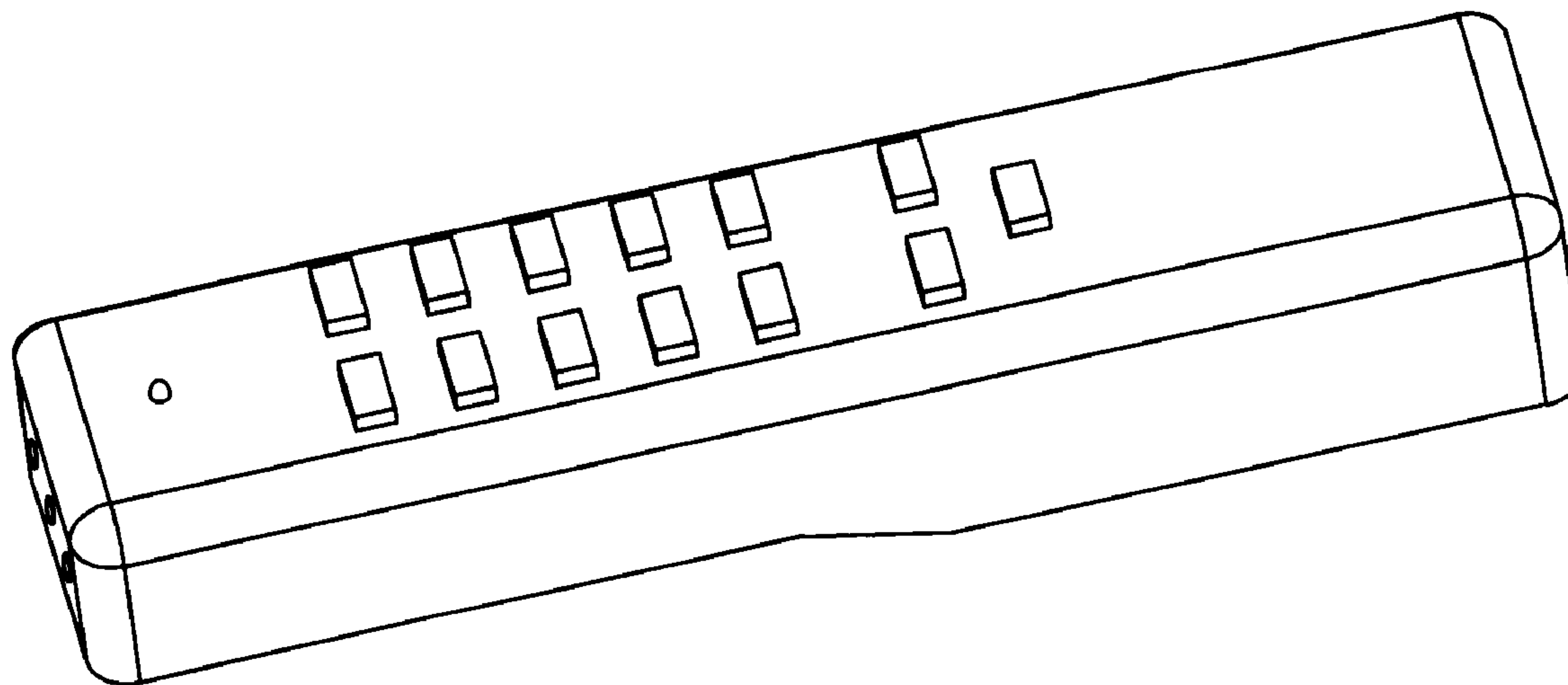
FIG. 4 is a front elevational view thereof;

FIG. 5 is a right side elevational view thereof;

FIG. 6 is a bottom plan view thereof; and,

FIG. 7 is a rear elevational view thereof.

**1 Claim, 1 Drawing Sheet**



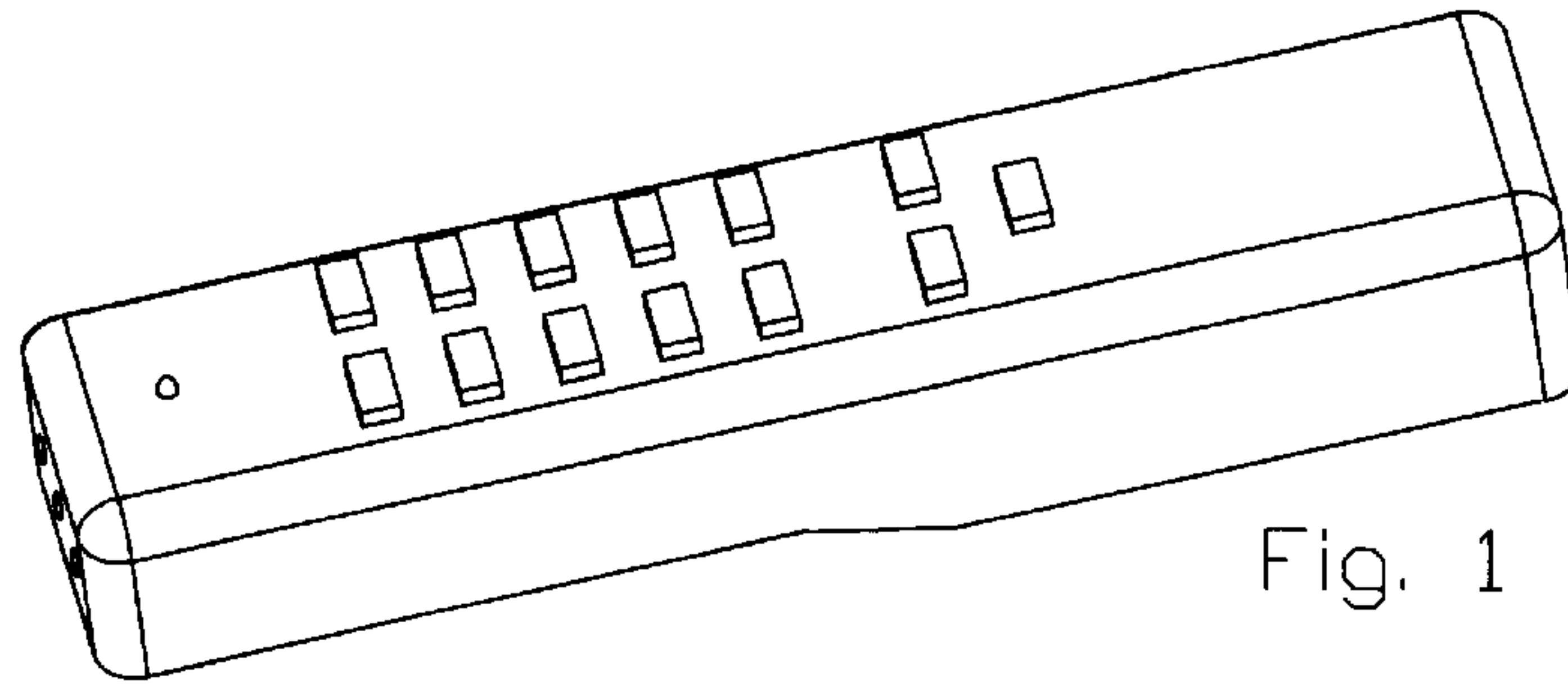


Fig. 1

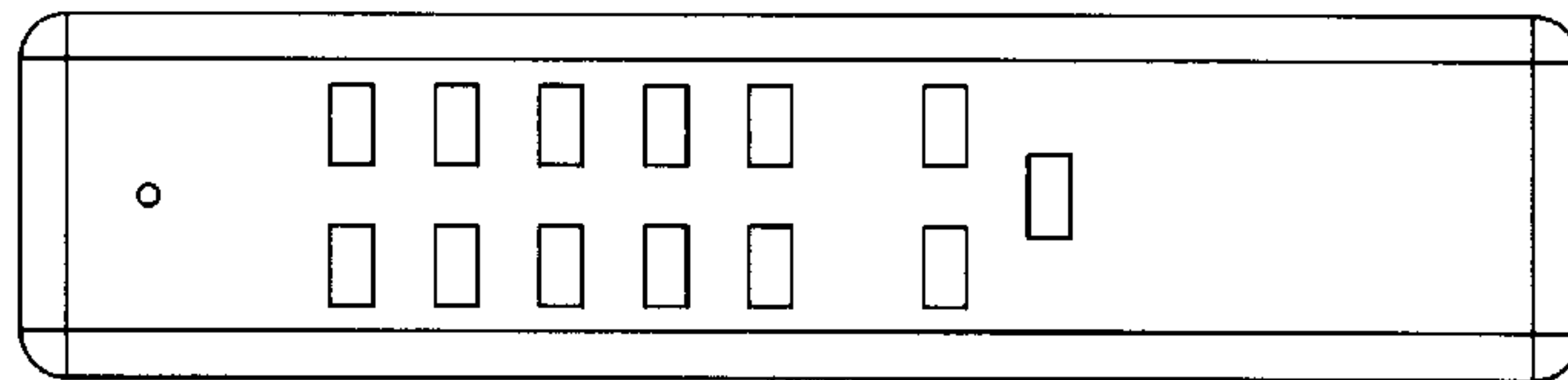


Fig. 2

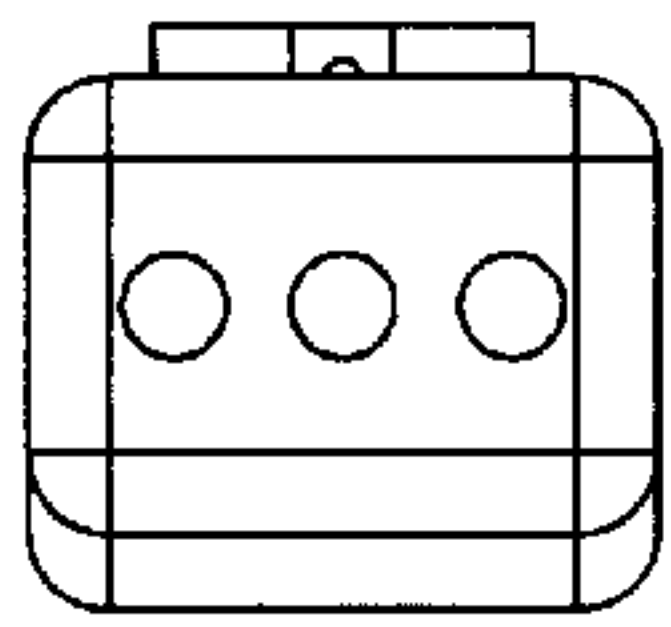


Fig. 3

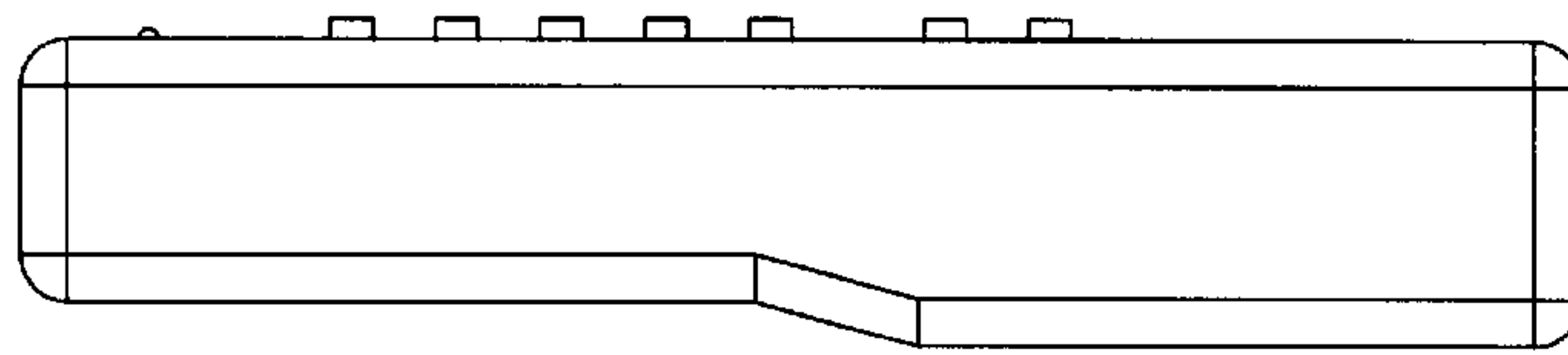


Fig. 4

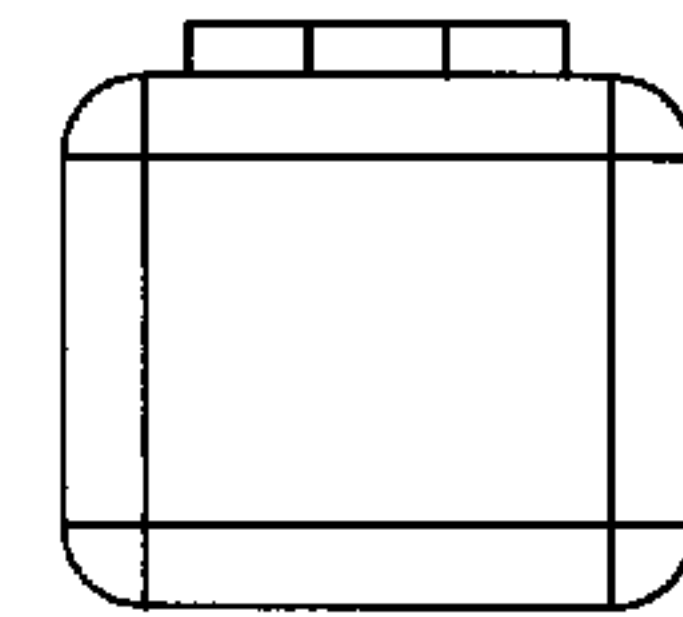


Fig. 5

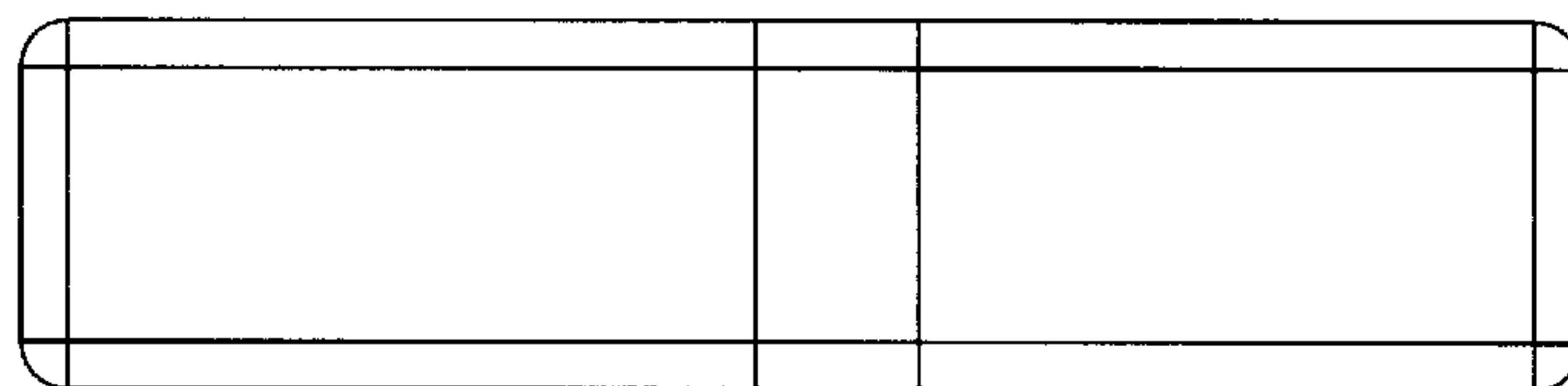


Fig. 6

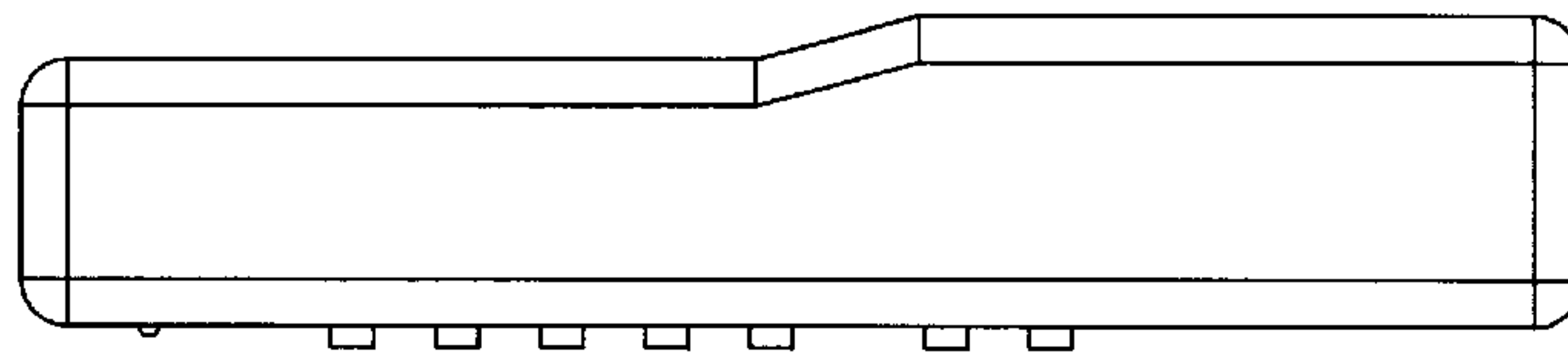


Fig. 7