



US00D521983S

(12) **United States Design Patent**  
**Kuo**

(10) **Patent No.:** **US D521,983 S**

(45) **Date of Patent:** **\*\* May 30, 2006**

(54) **SPEAKER**

(75) Inventor: **Hsien-Hung Kuo**, Taipei (TW)

(73) Assignee: **Nimble Microsystems Inc.**, Taipei (TW)

(\*\*) Term: **14 Years**

(21) Appl. No.: **29/223,498**

(22) Filed: **Feb. 14, 2005**

(30) **Foreign Application Priority Data**

Dec. 1, 2004 (TW) ..... 93307223

(51) **LOC (8) Cl.** ..... **14-01**

(52) **U.S. Cl.** ..... **D14/216**

(58) **Field of Classification Search** ..... D14/204,  
D14/207, 209-216, 356, 192; 181/143-144,  
181/147-148, 150, 157, 198-199, 151, 153;  
381/300-302, 306, 333, 345, 361-364, 386-388,  
381/332, 336

See application file for complete search history.

(56) **References Cited**

**U.S. PATENT DOCUMENTS**

D263,823 S \* 4/1982 Chapman ..... D14/212

5,319,164 A \* 6/1994 Shen ..... 181/150

D349,499 S \* 8/1994 Collins ..... D14/216

D362,442 S \* 9/1995 Goldfarb ..... D14/216

D446,785 S \* 8/2001 Ohta ..... D14/216

D462,338 S \* 9/2002 Wong ..... D14/215

D482,020 S \* 11/2003 Olson et al. .... D14/216

\* cited by examiner

*Primary Examiner*—Nanda Bondade

(74) *Attorney, Agent, or Firm*—J.C. Patents

(57) **CLAIM**

The ornamental design for a speaker, as shown and described.

**DESCRIPTION**

FIG. 1 is a perspective view of a speaker showing the new design.

FIG. 2 is a front view thereof.

FIG. 3 is a rear view thereof.

FIG. 4 is a left side view thereof.

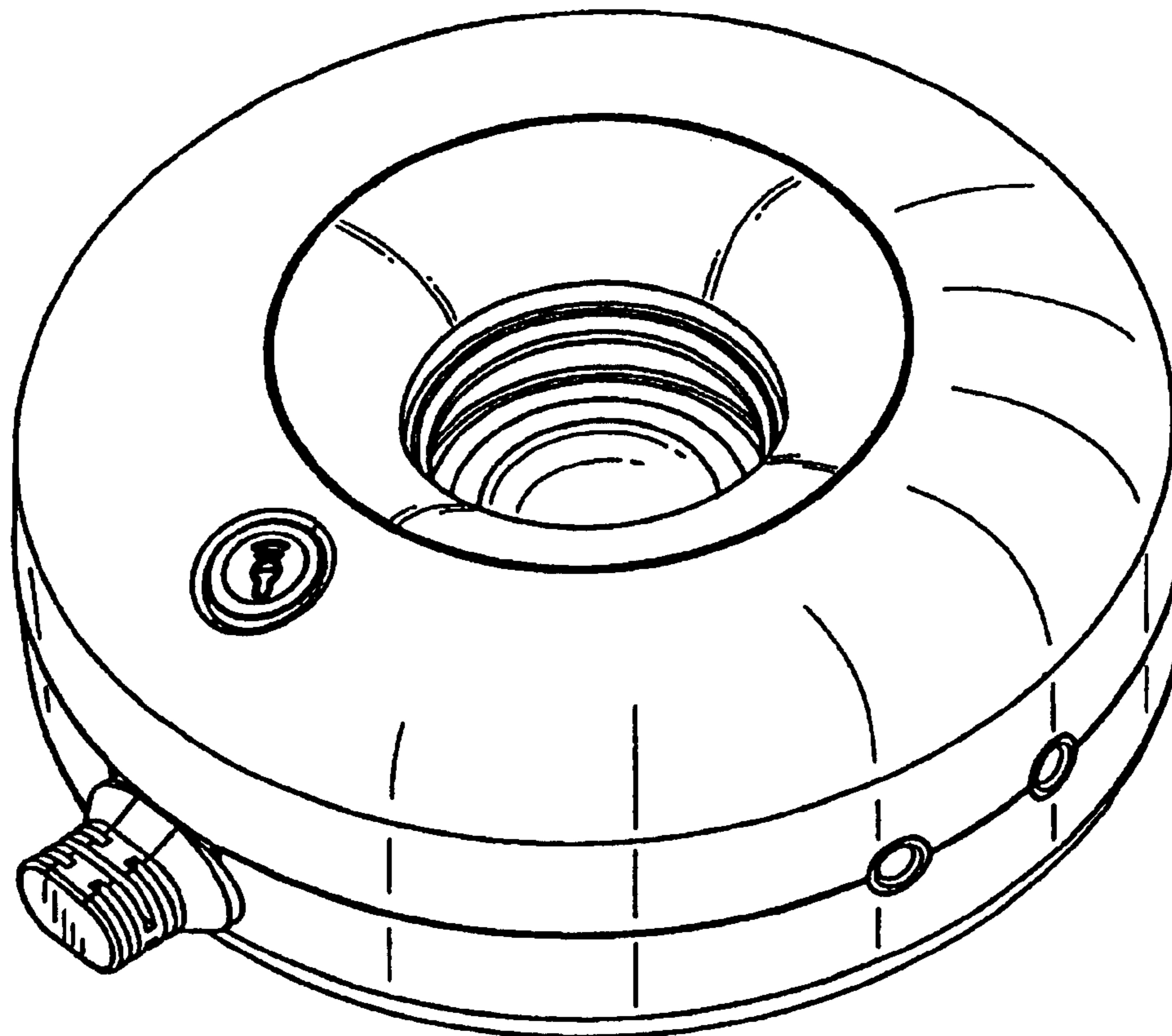
FIG. 5 is a right side view thereof.

FIG. 6 is a top view thereof.

FIG. 7 is a bottom view thereof; and,

FIG. 8 is a cross-sectional view taken along line 8—8 in FIG. 2.

**1 Claim, 8 Drawing Sheets**



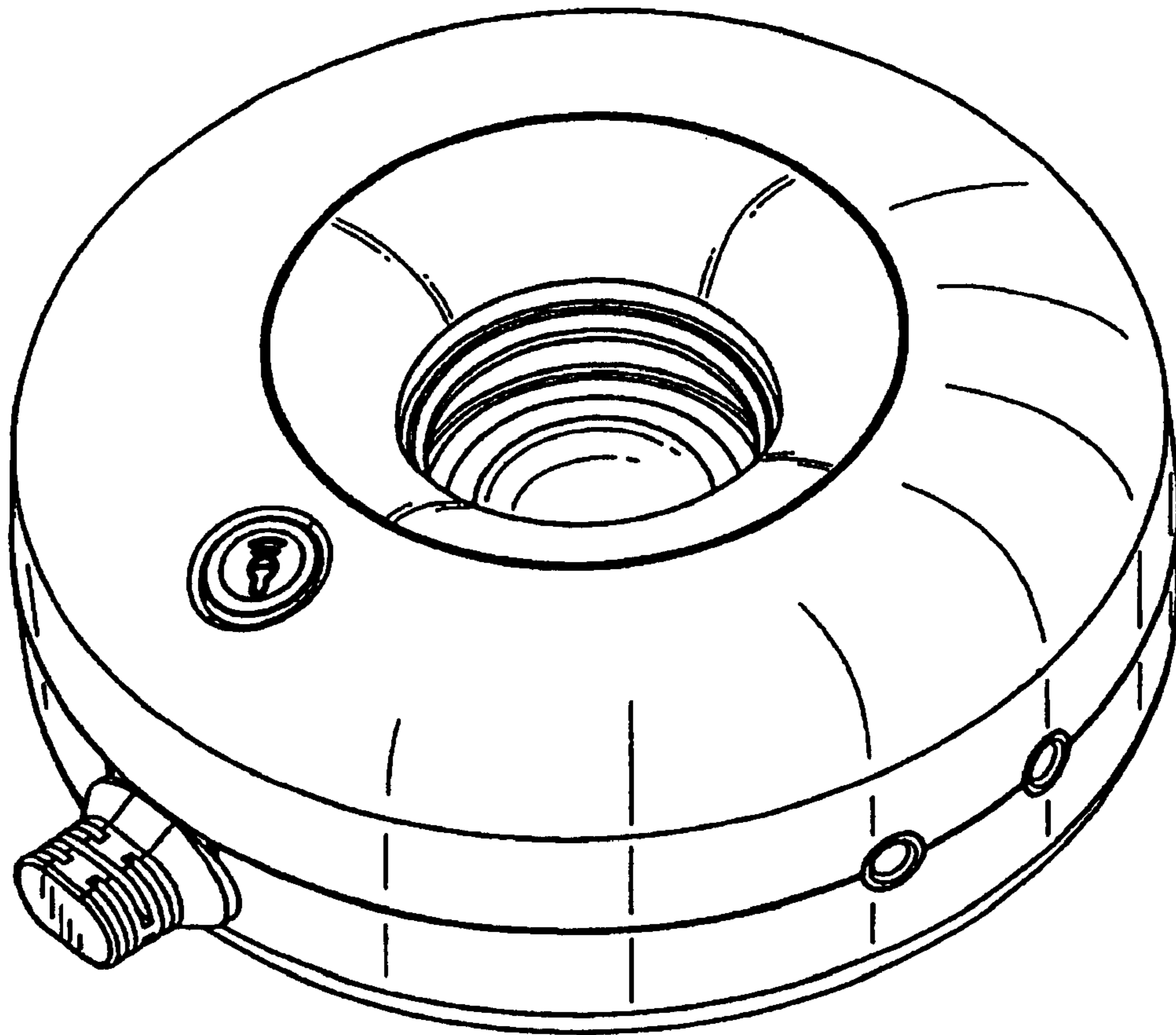


FIG. 1

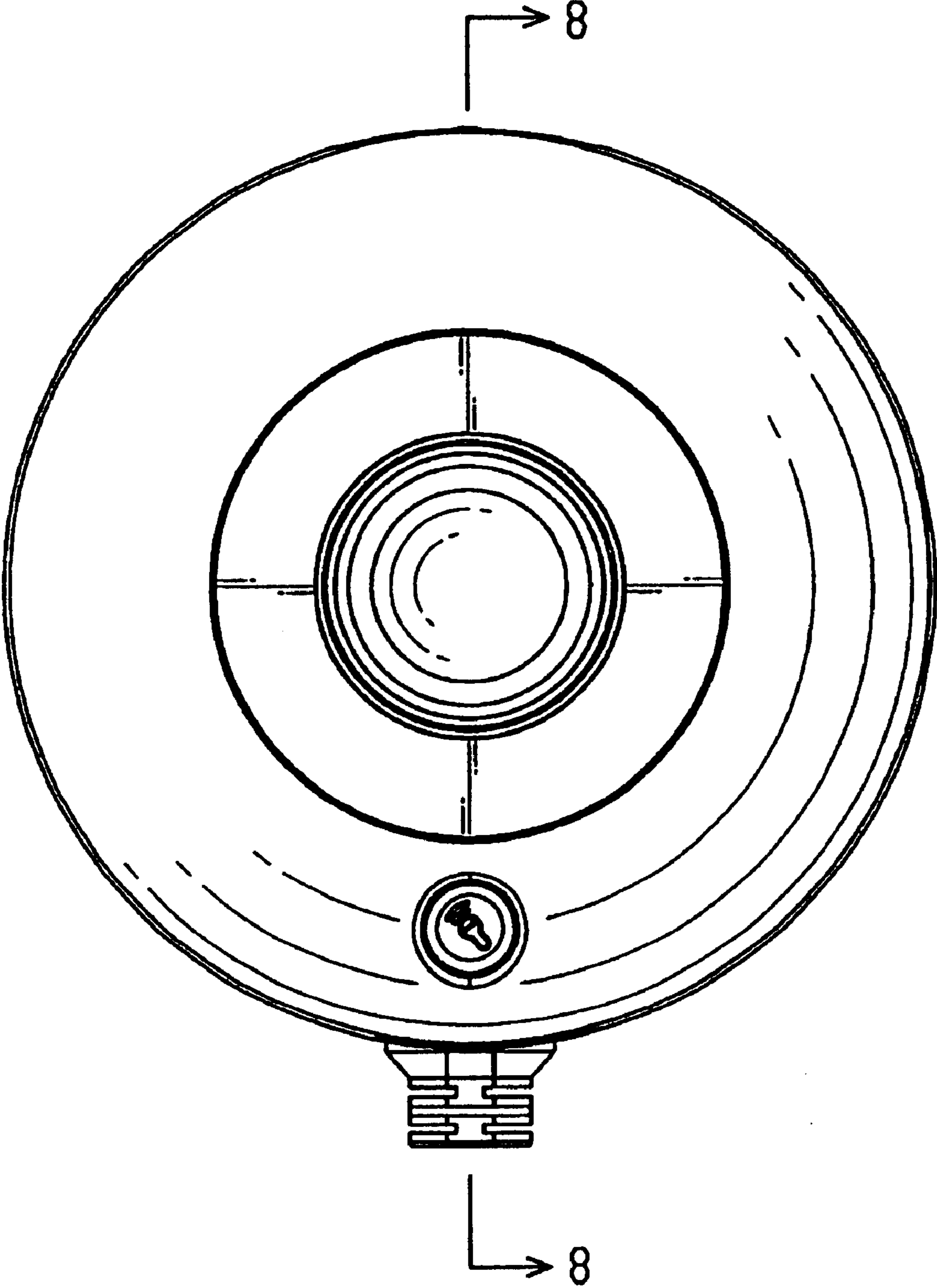


FIG. 2

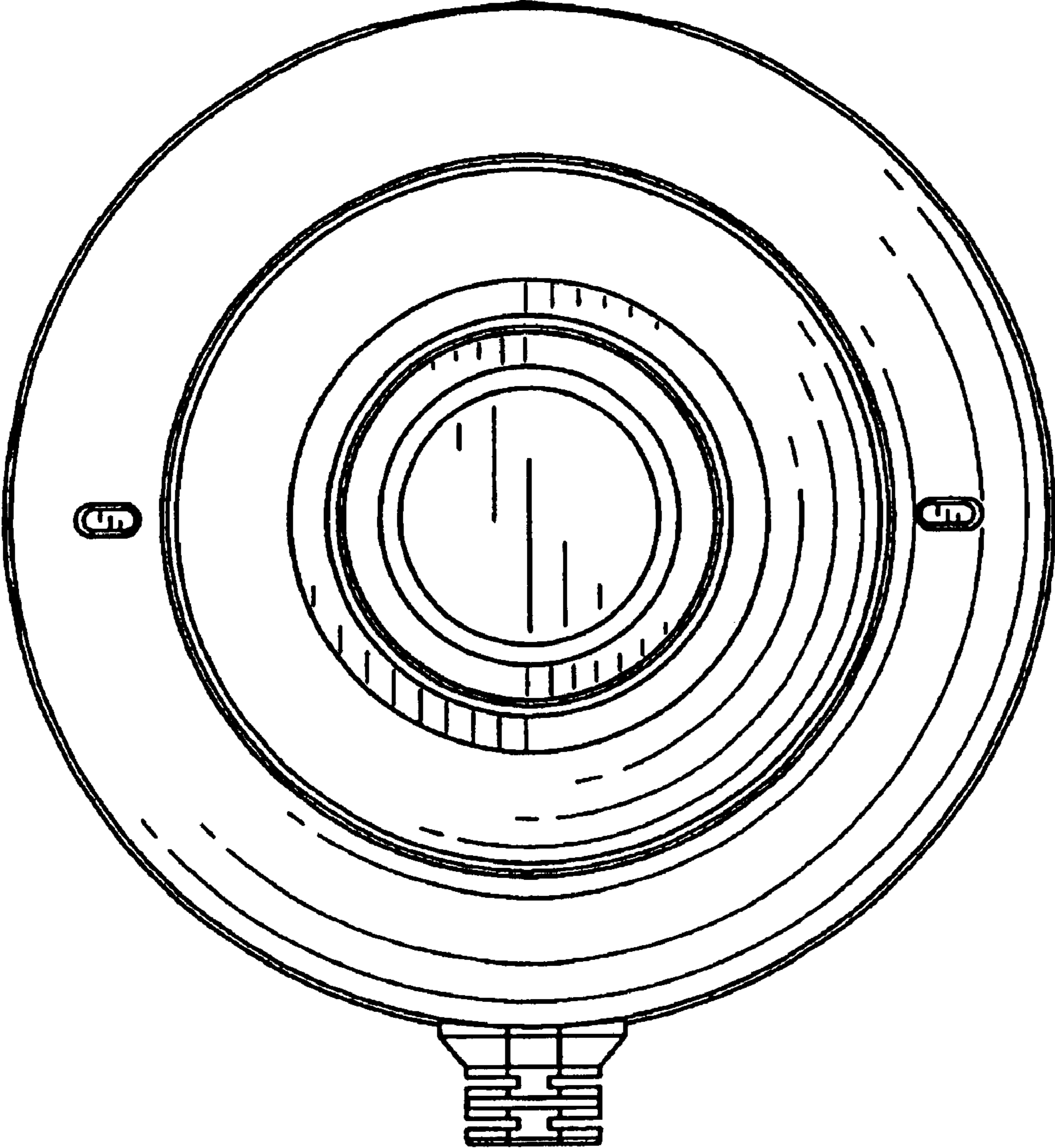


FIG. 3

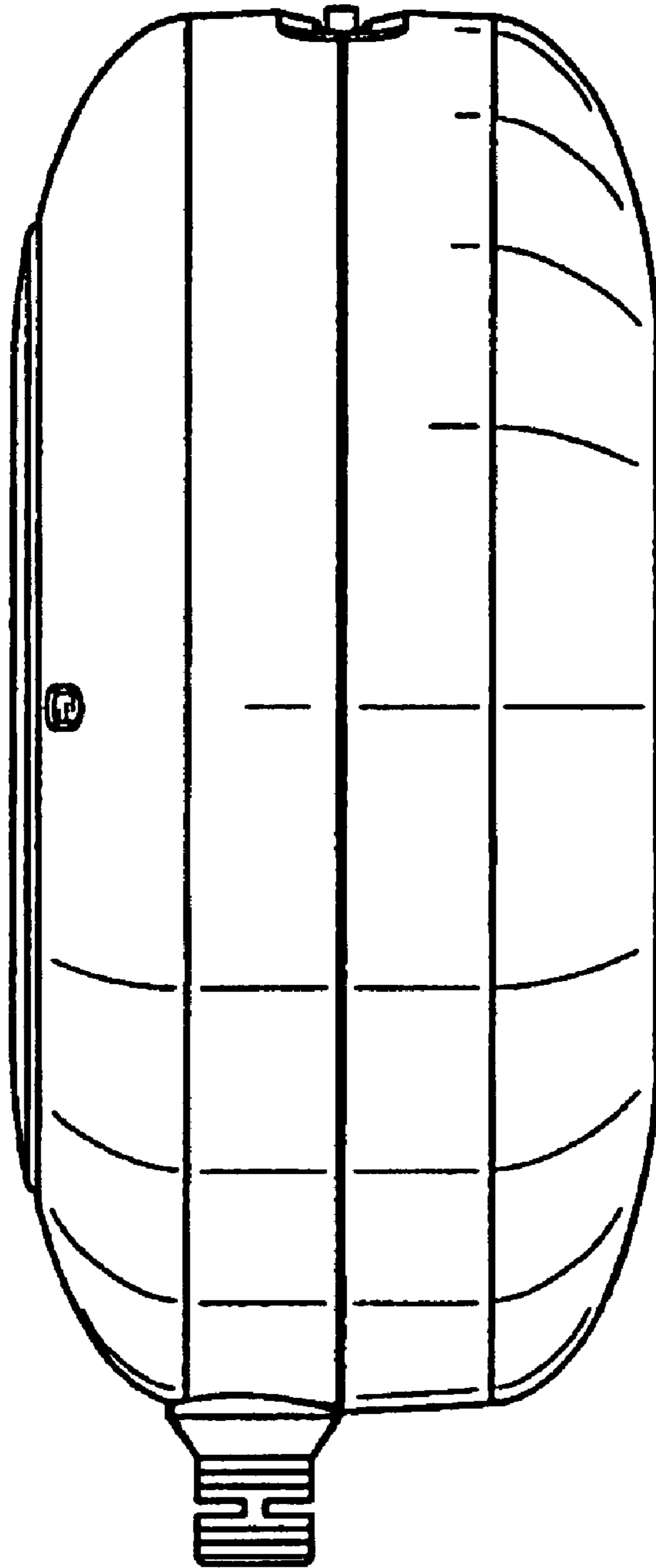


FIG. 4

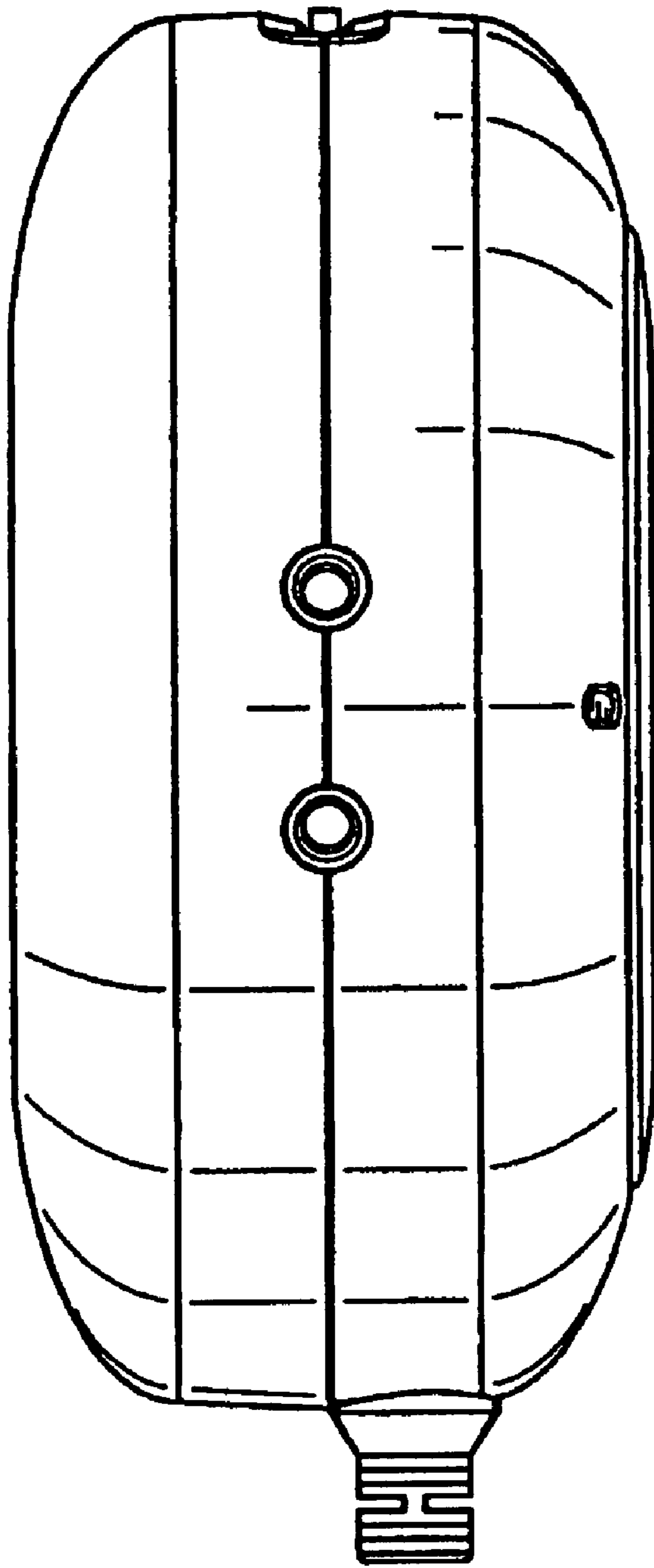


FIG. 5

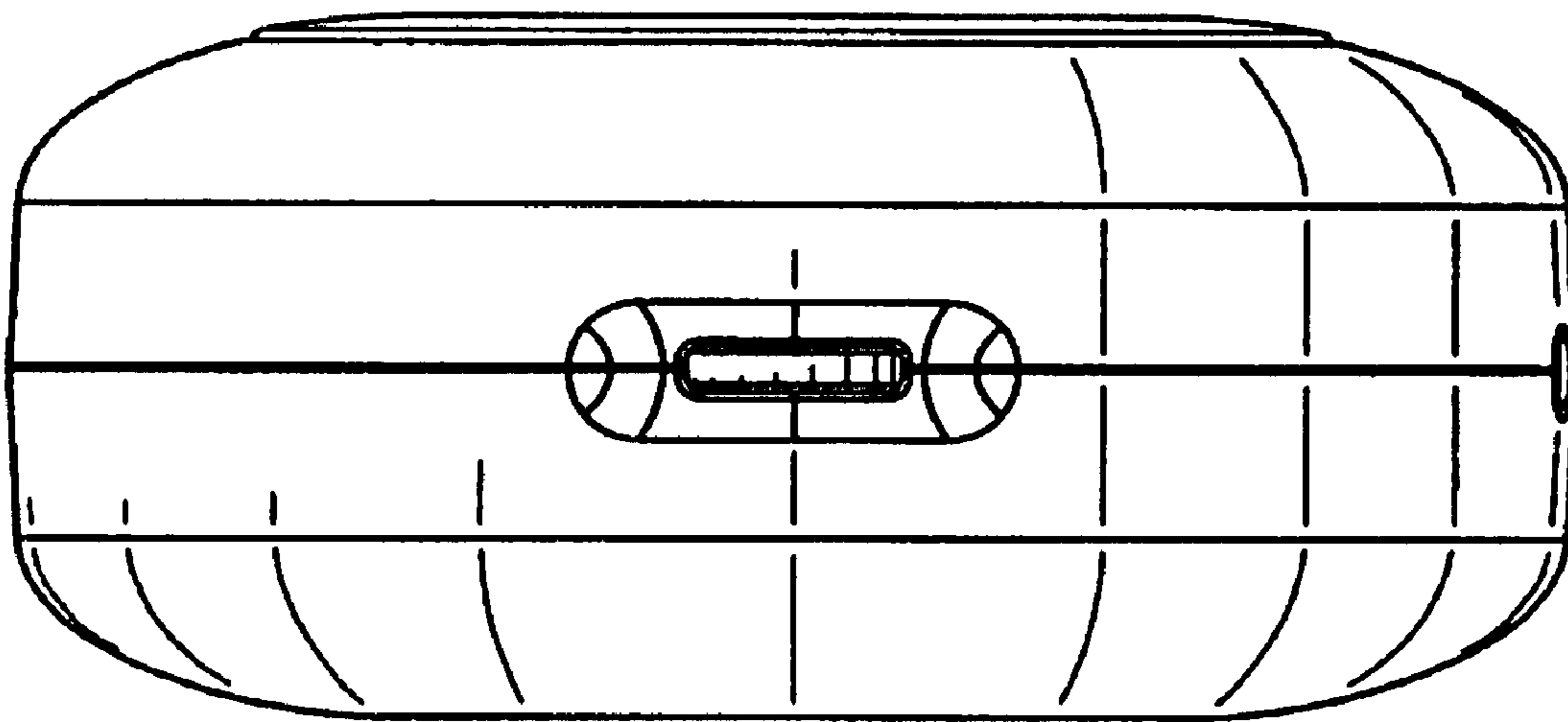


FIG. 6

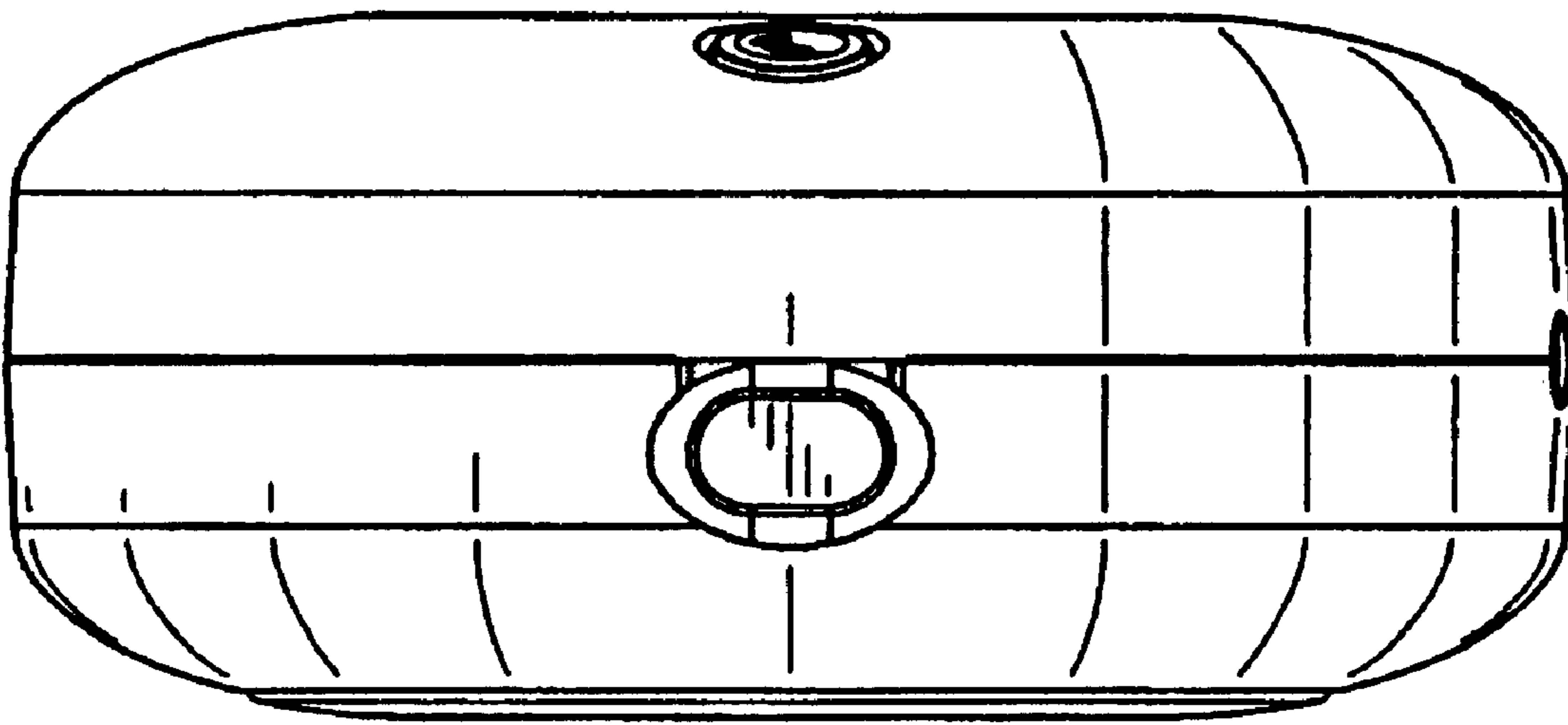


FIG. 7



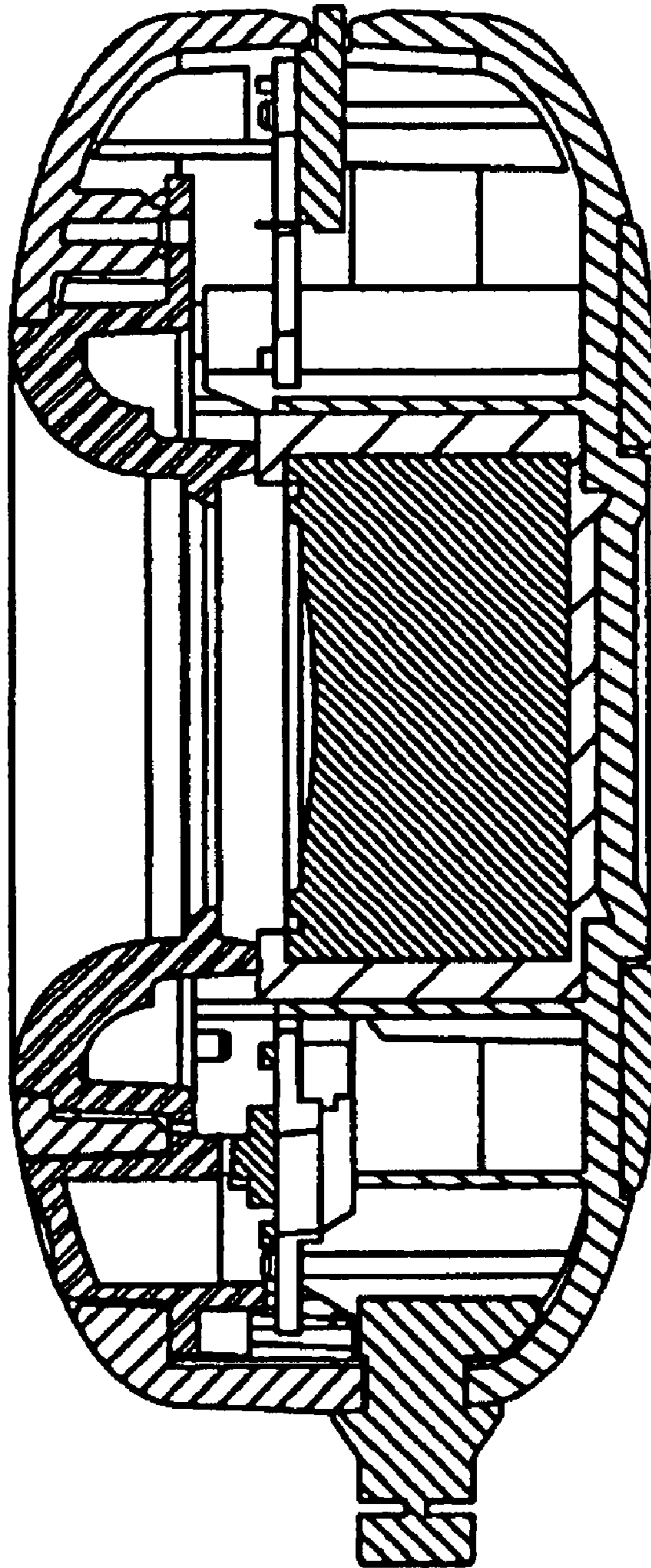


FIG. 8