



US00D521982S

(12) **United States Design Patent**  
**Schafernak et al.**

(10) **Patent No.:** **US D521,982 S**

(45) **Date of Patent:** **\*\* May 30, 2006**

(54) **SPEAKER**

(76) Inventors: **Randolph J. Schafernak**, 2440 N. Drury, Arlington Heights, IL (US) 60004; **Claudio Degrassi**, 629 Newberry Dr., Elk Grove Village, IL (US) 60007

(\*\*) **Term:** **14 Years**

(21) **Appl. No.:** **29/220,257**

(22) **Filed:** **Dec. 28, 2004**

(51) **LOC (8) Cl.** ..... **14-01**

(52) **U.S. Cl.** ..... **D14/216**

(58) **Field of Classification Search** ..... D14/204, D14/207, 209–216, 356; 181/143–144, 147–148, 181/150, 157, 198–199, 151, 153; 381/300–302, 381/306, 333, 345, 361–364, 386–388, 332, 381/336

See application file for complete search history.

(56) **References Cited**

**U.S. PATENT DOCUMENTS**

D320,020 S \* 9/1991 Iwano ..... D14/216

5,319,164 A \* 6/1994 Shen ..... 181/150  
D415,159 S \* 10/1999 Nakano ..... D14/215  
D462,338 S \* 9/2002 Wong ..... D14/215  
D466,886 S \* 12/2002 Crane et al. .... D14/207

**OTHER PUBLICATIONS**

Fact Sheet taken from Official Website for the Rolen–Star Audio Transducers, dated Jun. 25, 2005, (2 pages).

\* cited by examiner

*Primary Examiner*—Nanda Bondade

(74) *Attorney, Agent, or Firm*—Pauley Petersen & Erickson

(57) **CLAIM**

The ornamental design for a speaker, as shown.

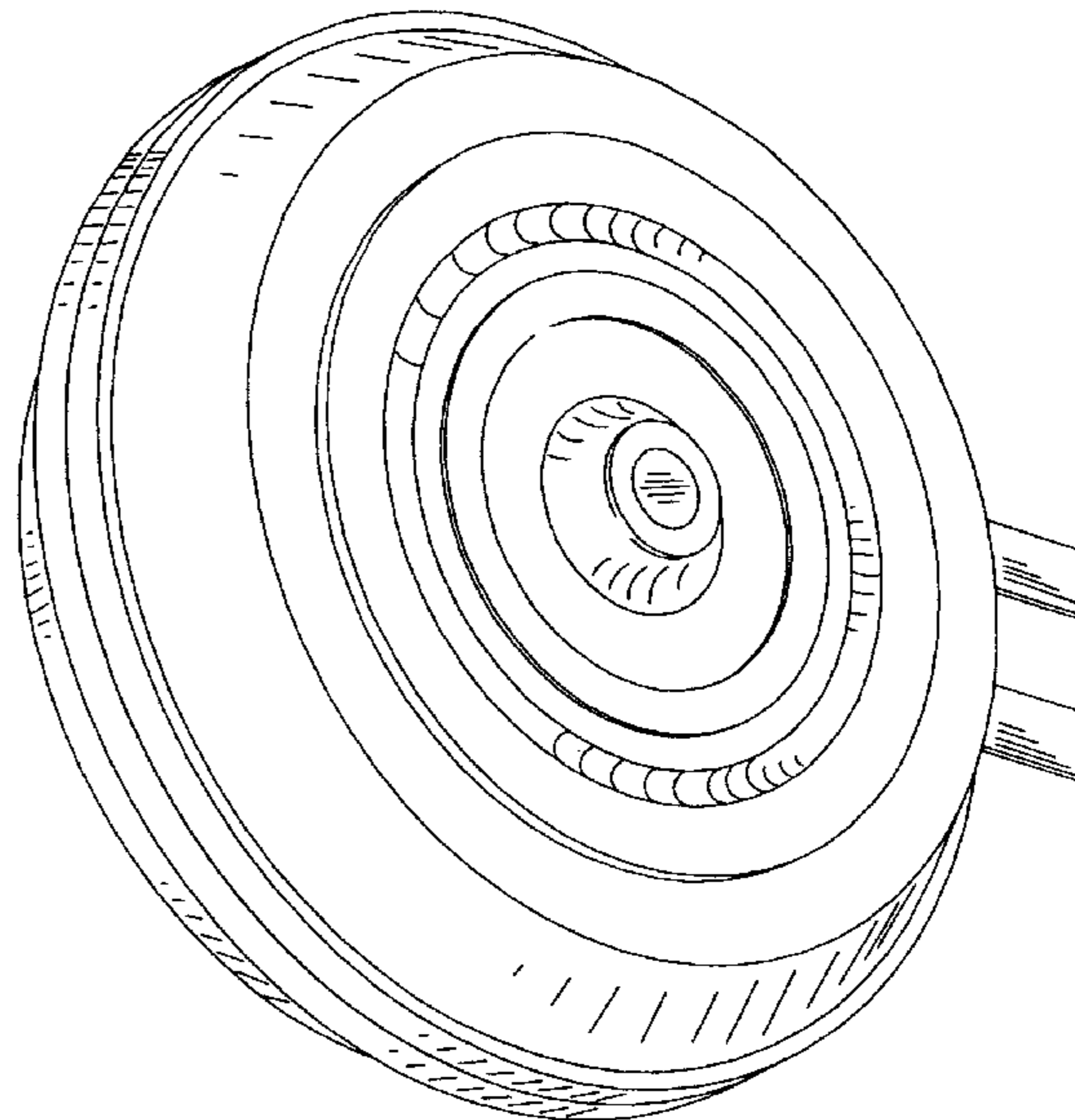
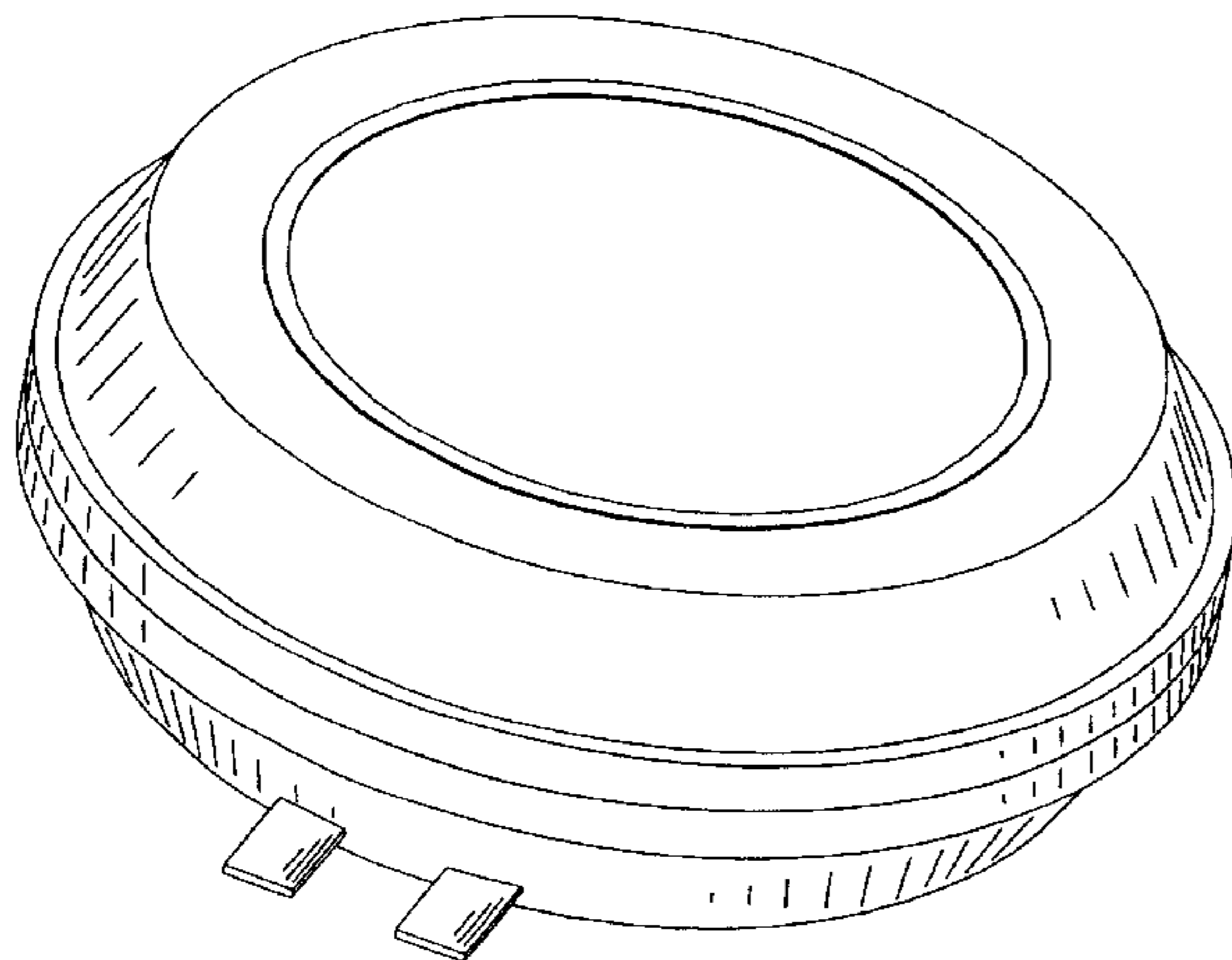
**DESCRIPTION**

FIG. 1 is a top perspective view of a speaker, according to one embodiment of this invention;

FIG. 2 is a bottom perspective view of the speaker, as shown in FIG. 1;

FIG. 3 is a side view of the speaker, as shown in FIG. 1; and, FIG. 4 is a side view, rotated 90 degrees from the side view shown in FIG. 3, of the speaker, as shown in FIG. 1.

**1 Claim, 4 Drawing Sheets**



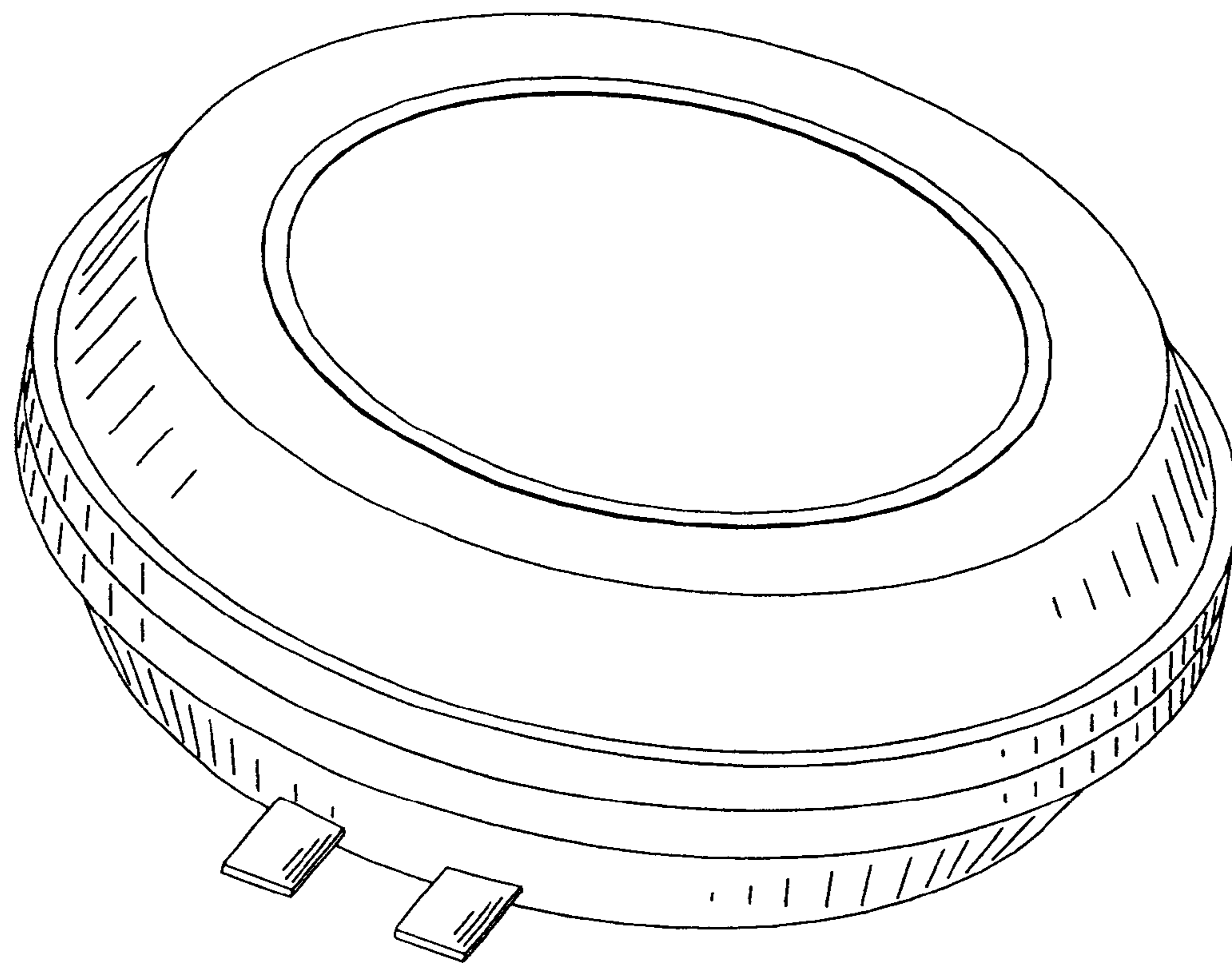


Fig. 1

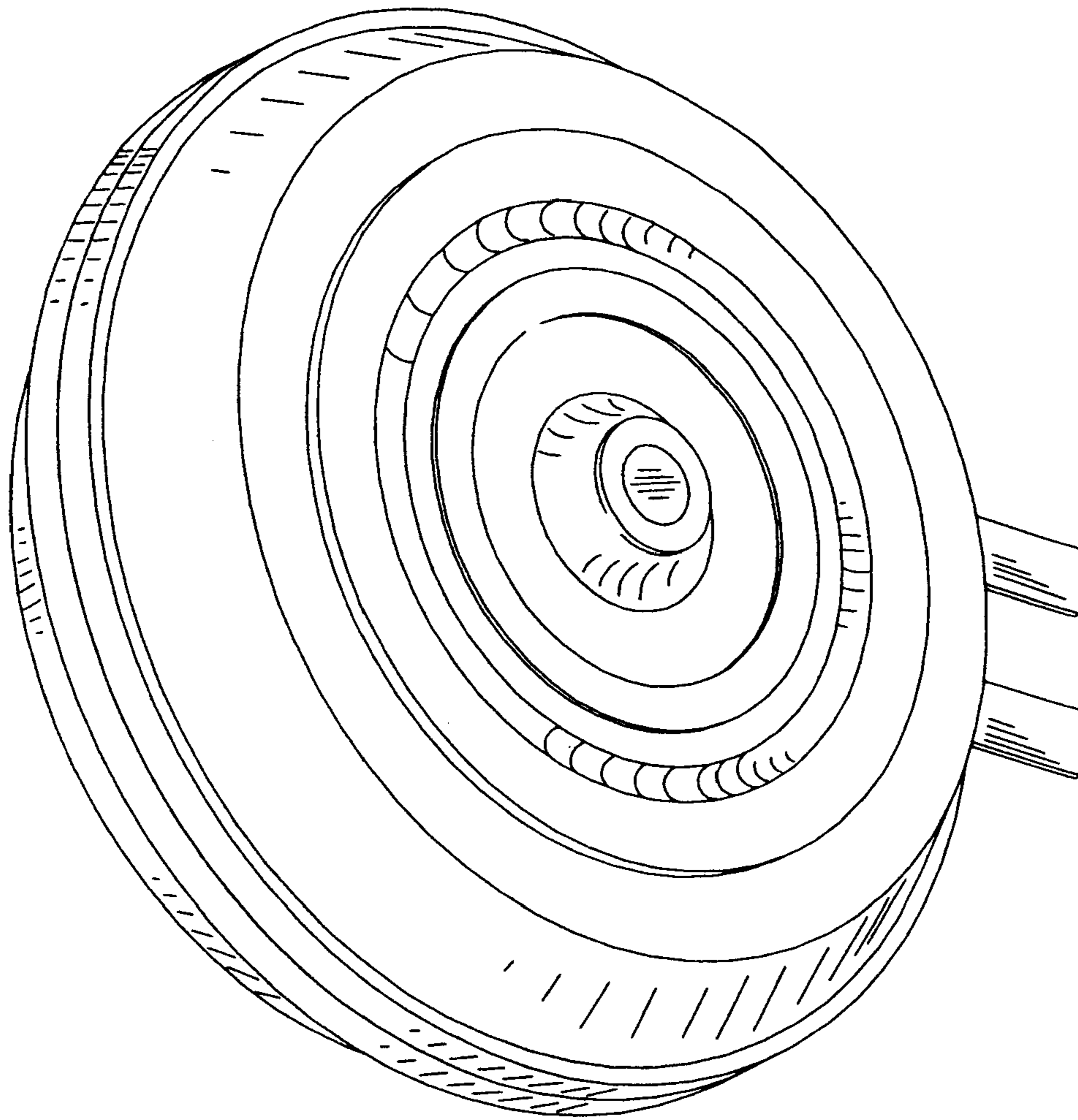
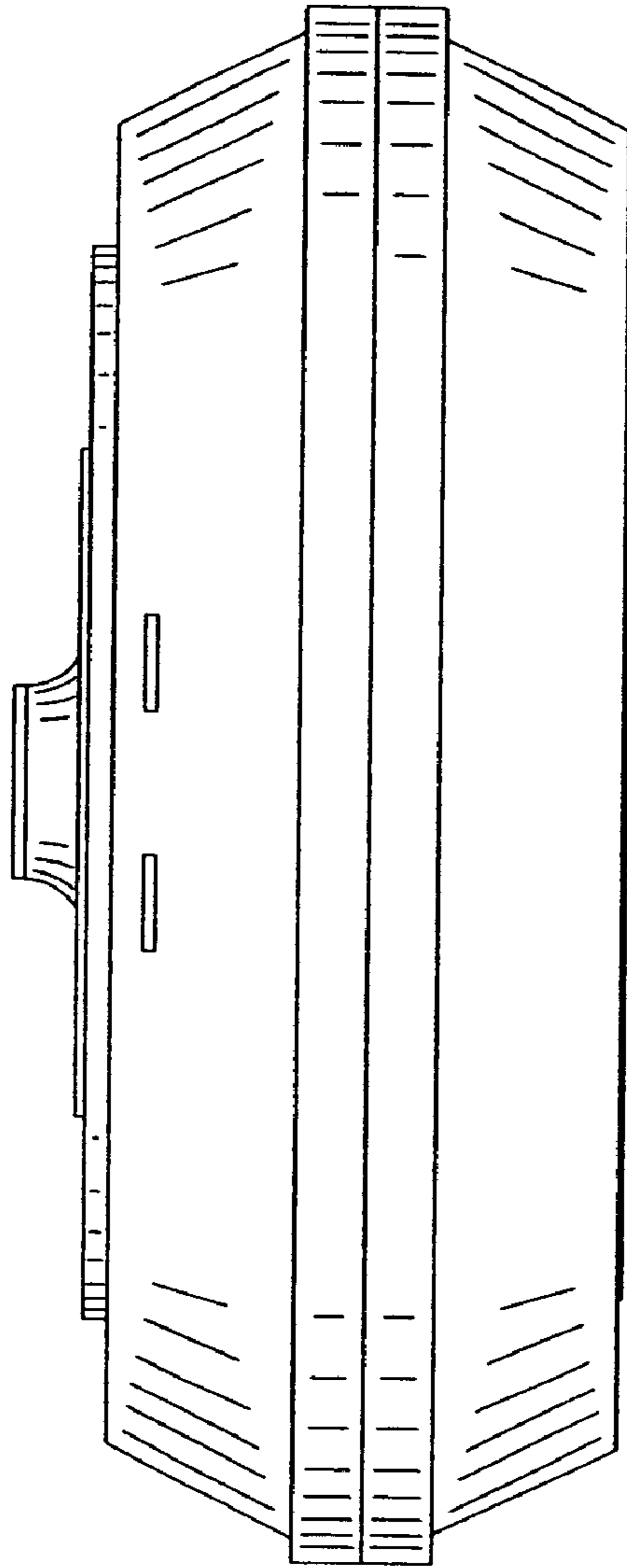
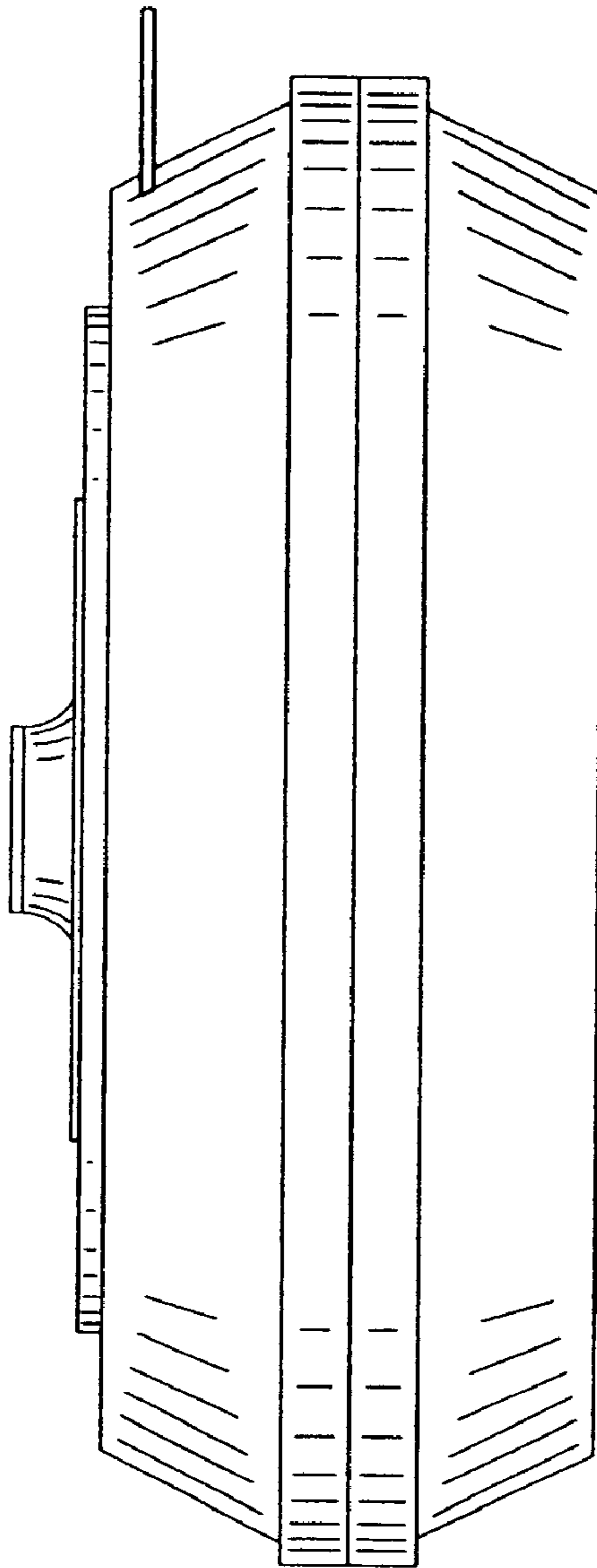


Fig. 2



**Fig. 3**



**Fig.4**