



US00D521980S

(12) **United States Design Patent**
Yao

(10) **Patent No.:** **US D521,980 S**

(45) **Date of Patent:** **** May 30, 2006**

(54) **RECTANGULAR SPEAKER**

D482,676 S * 11/2003 Martikainen D14/215

(76) Inventor: **Hong Bo Yao**, 2560 Corporate Pl.,
C103, Monterey Park, CA (US) 91754

* cited by examiner

Primary Examiner—Nanda Bondade

(**) Term: **14 Years**

(74) *Attorney, Agent, or Firm*—Clement Cheng

(21) Appl. No.: **29/213,250**

(57) **CLAIM**

(22) Filed: **Sep. 15, 2004**

The ornamental design for a rectangular speaker, as shown and described.

(51) **LOC (8) Cl.** **14-01**

DESCRIPTION

(52) **U.S. Cl.** **D14/214**

(58) **Field of Classification Search** D14/204,
D14/207, 209–216, 356; 181/143–144, 147–148,
181/150, 157, 198–199, 151, 153; 381/300–302,
381/306, 333, 345, 361–364, 386–388, 332,
381/336

FIG. 1 is a front elevational view of a rectangular speaker without the cover showing my new design; FIG. 2 is a left side elevational view thereof; FIG. 3 is a rear elevational view thereof; FIG. 4 is a top plan view thereof; FIG. 5 is a front perspective view thereof; FIG. 6 is a left side view of FIG. 1 with the cover attached; FIG. 7 is a top plan view of FIG. 6; FIG. 8 is a front elevational view of FIG. 6; FIG. 9 is a rear elevational view of FIG. 6; and FIG. 10 is a front perspective view of FIG. 6. FIGS. 1–5 and 7 are on an enlarged scale.

See application file for complete search history.

(56) **References Cited**

U.S. PATENT DOCUMENTS

- D81,184 S * 5/1930 French D14/215
- D384,076 S * 9/1997 Lazzeroni et al. D14/216
- D440,559 S * 4/2001 Ballard et al. D14/219

1 Claim, 4 Drawing Sheets

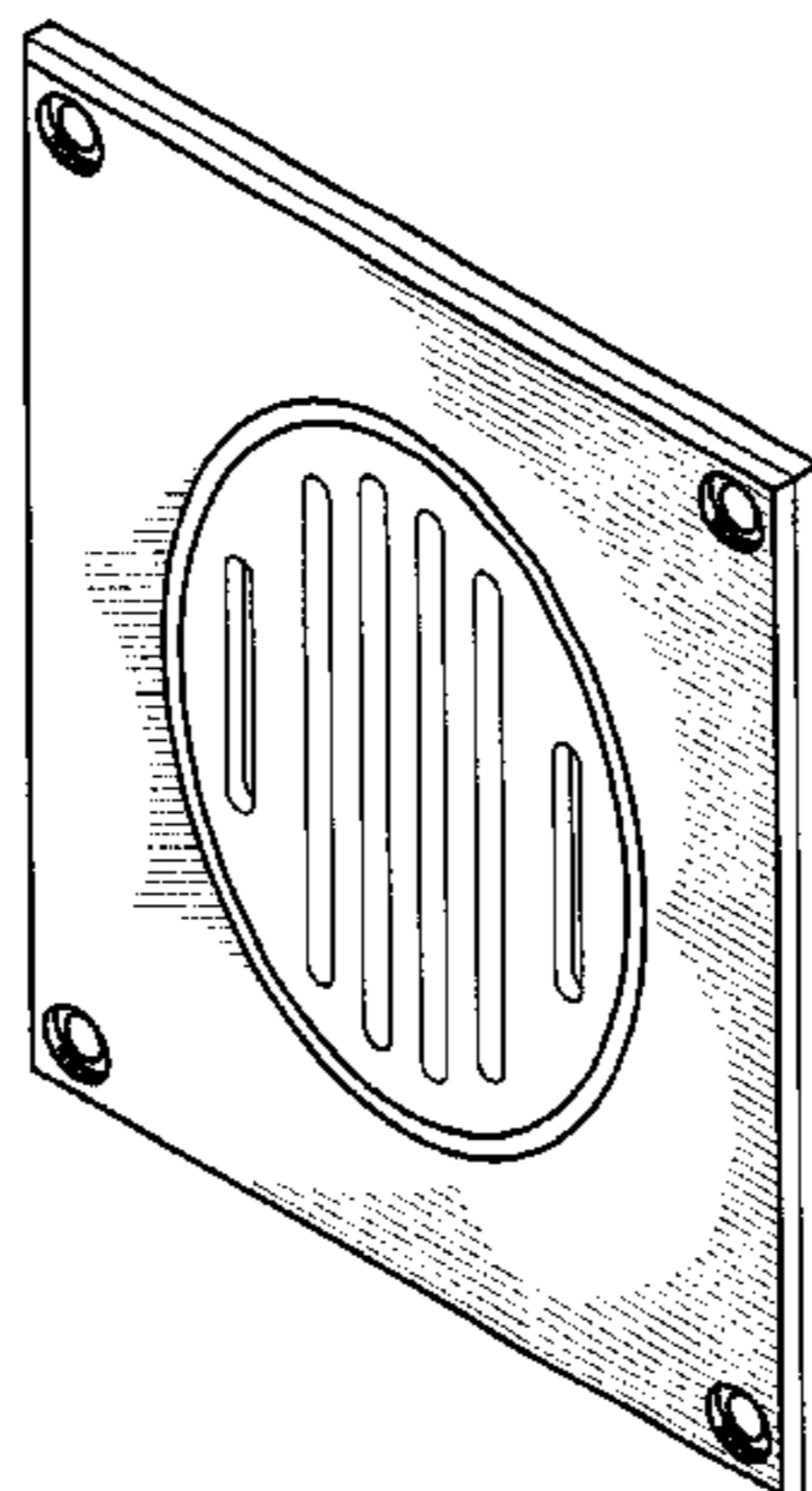
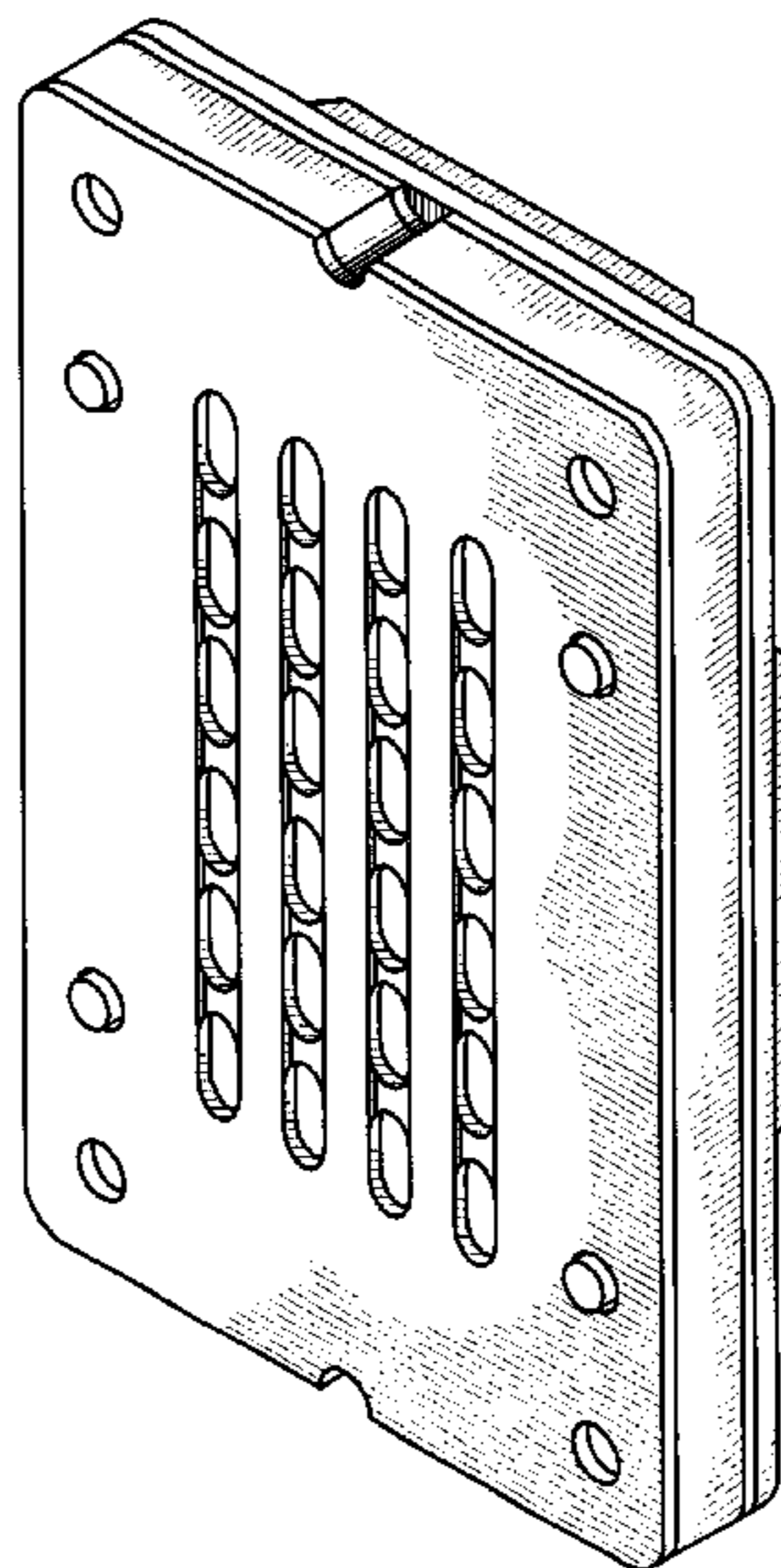


Fig. 3

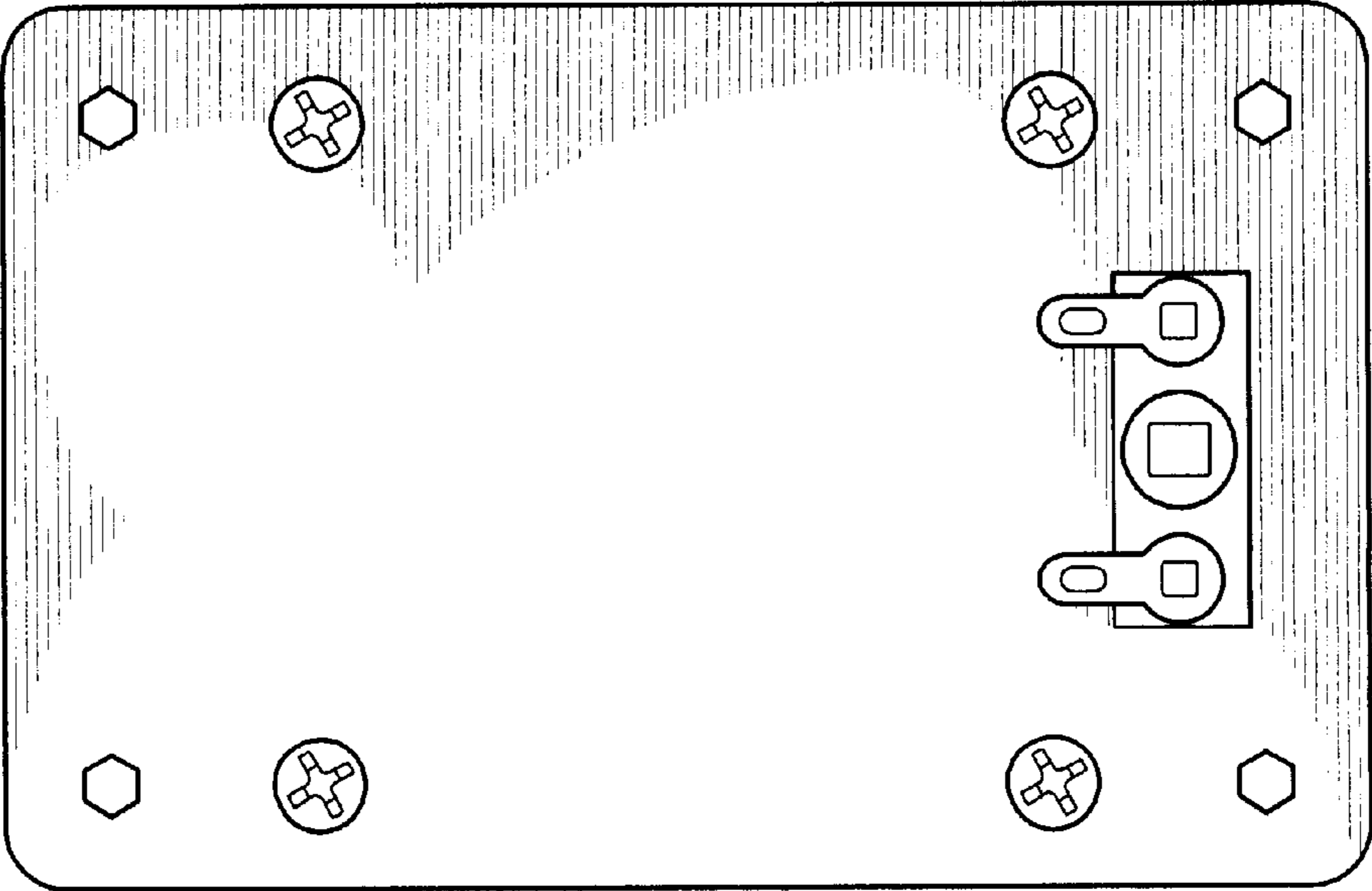


Fig. 2

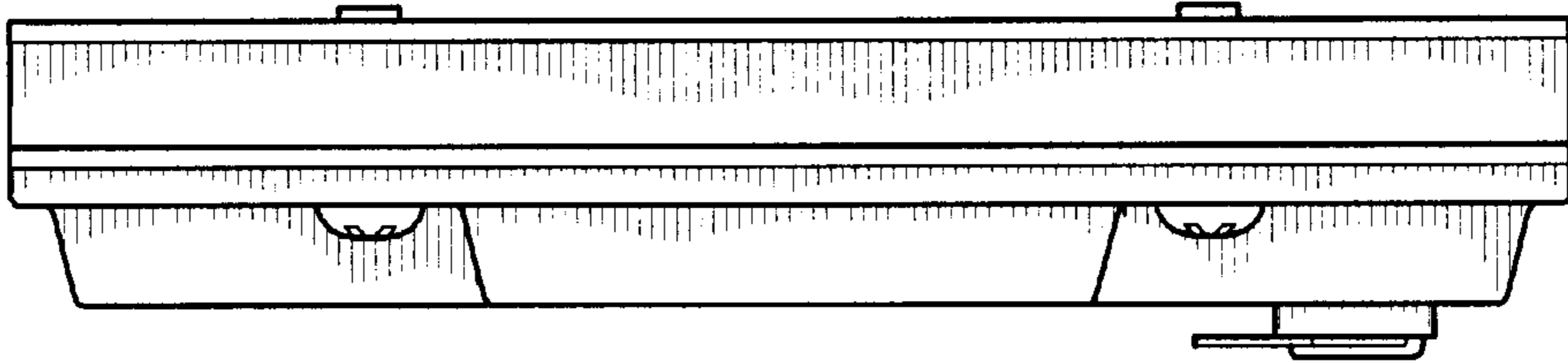


Fig. 1

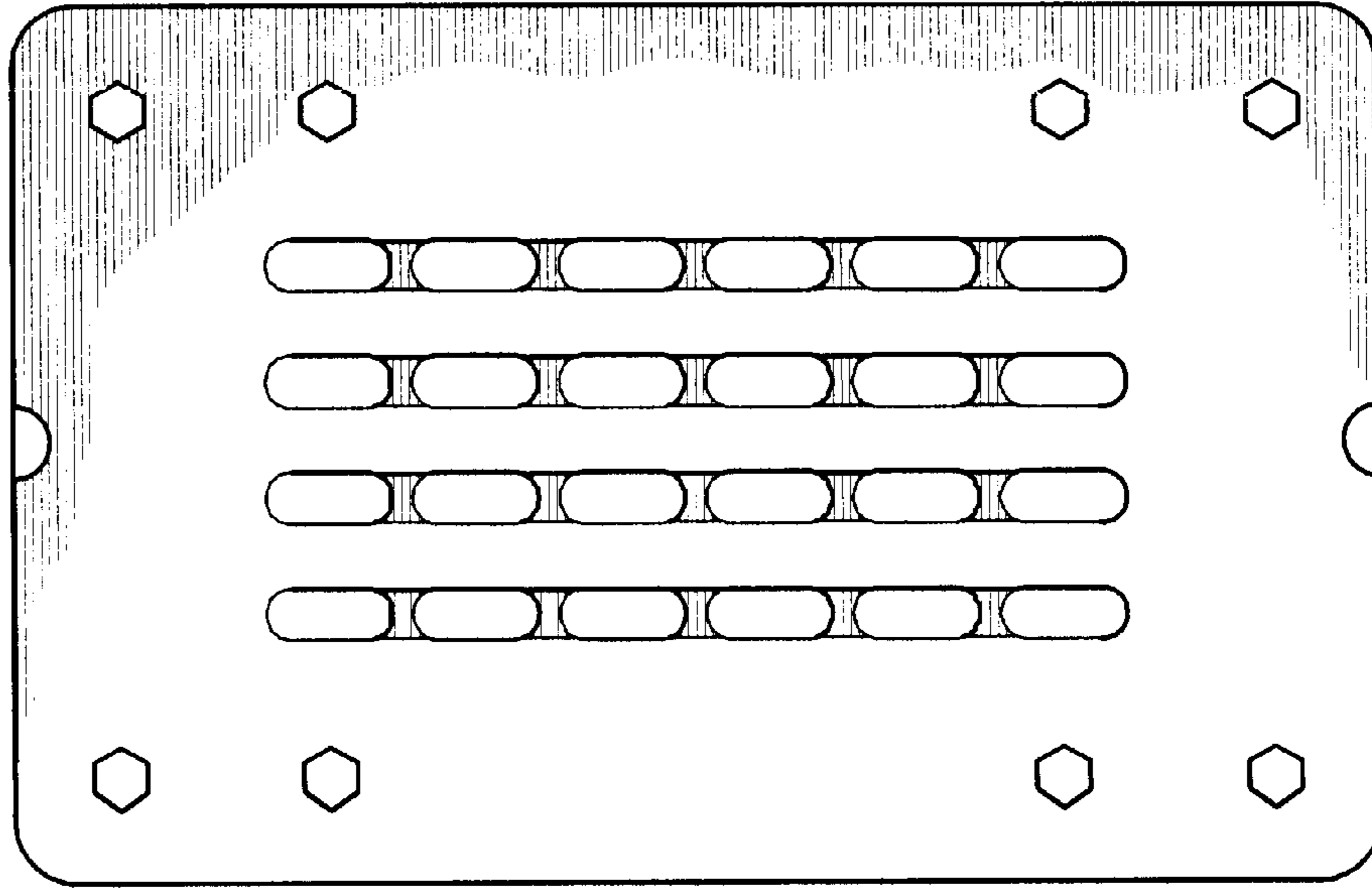


Fig. 4

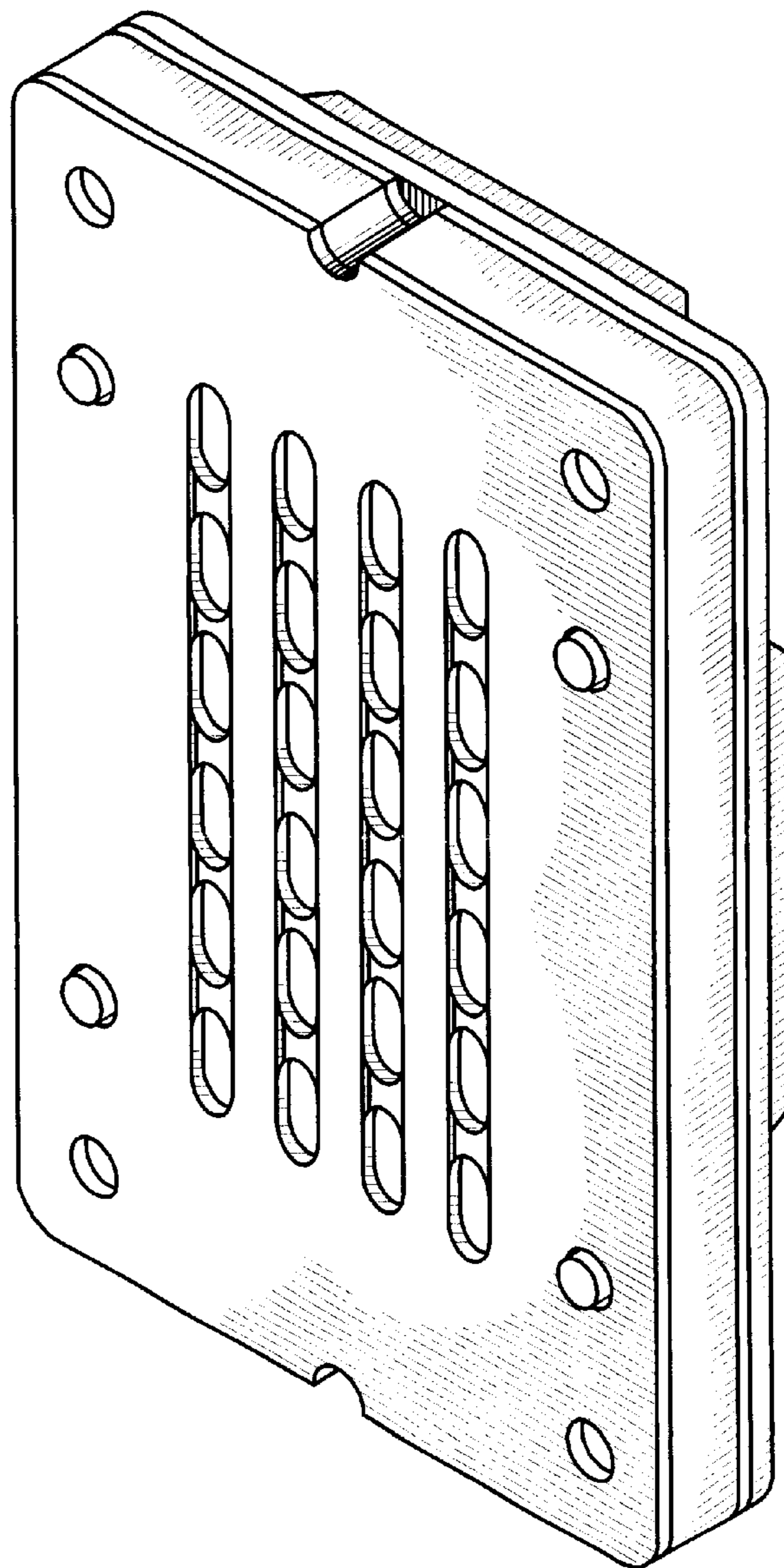
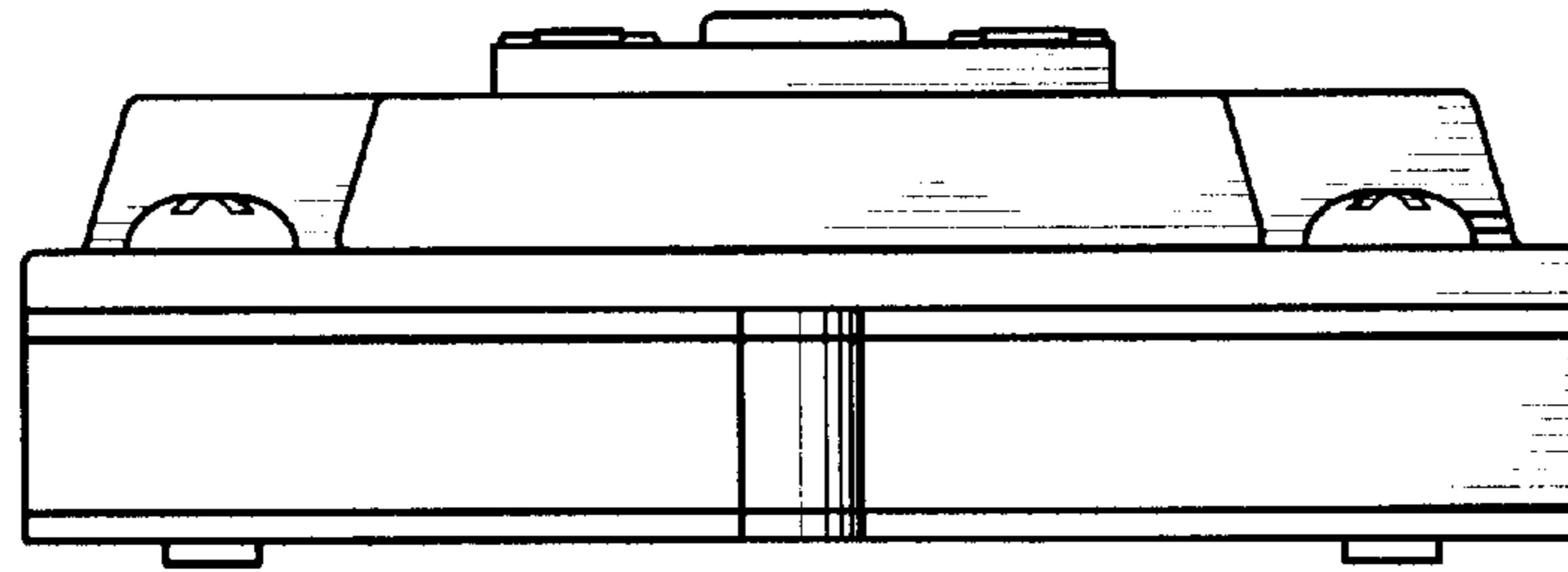


Fig. 5

Fig. 6

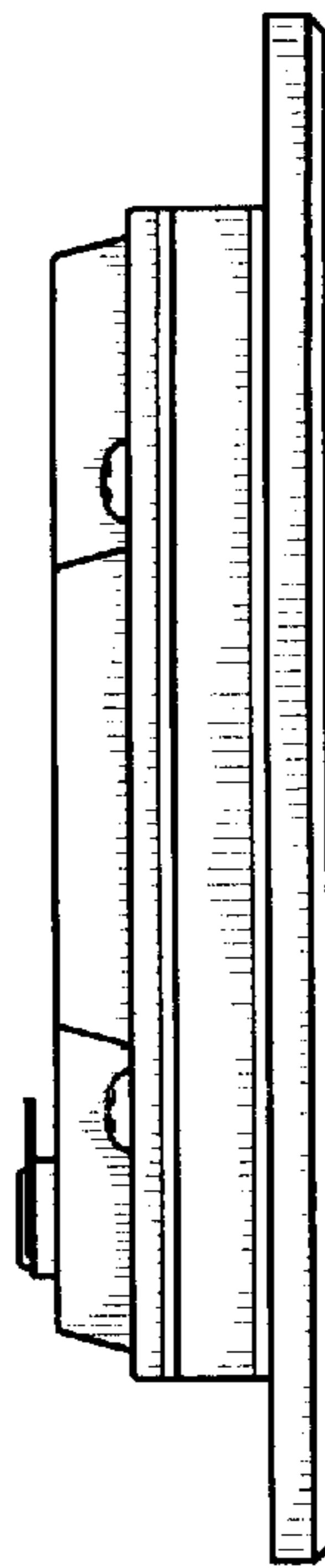


Fig. 7

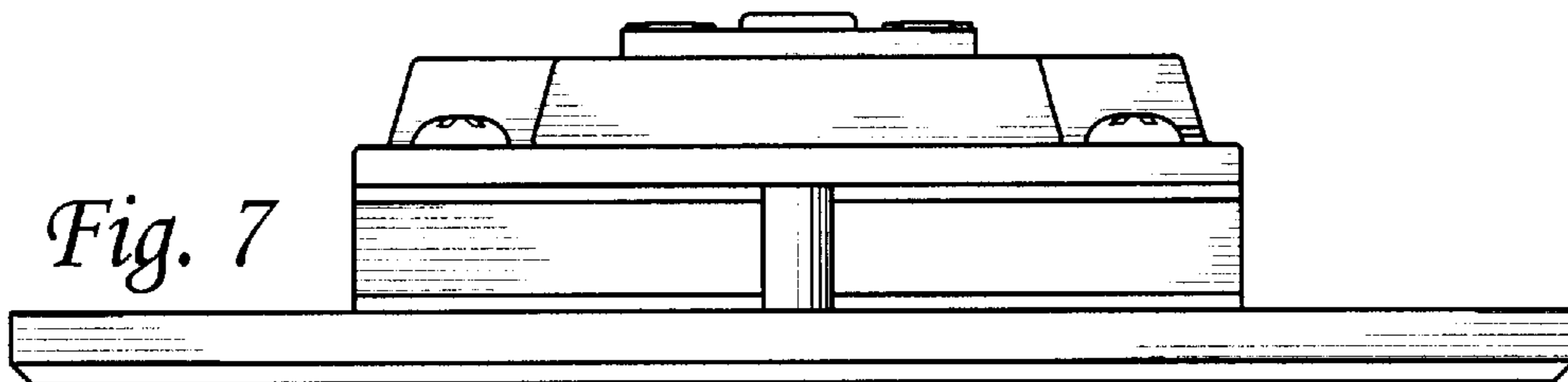
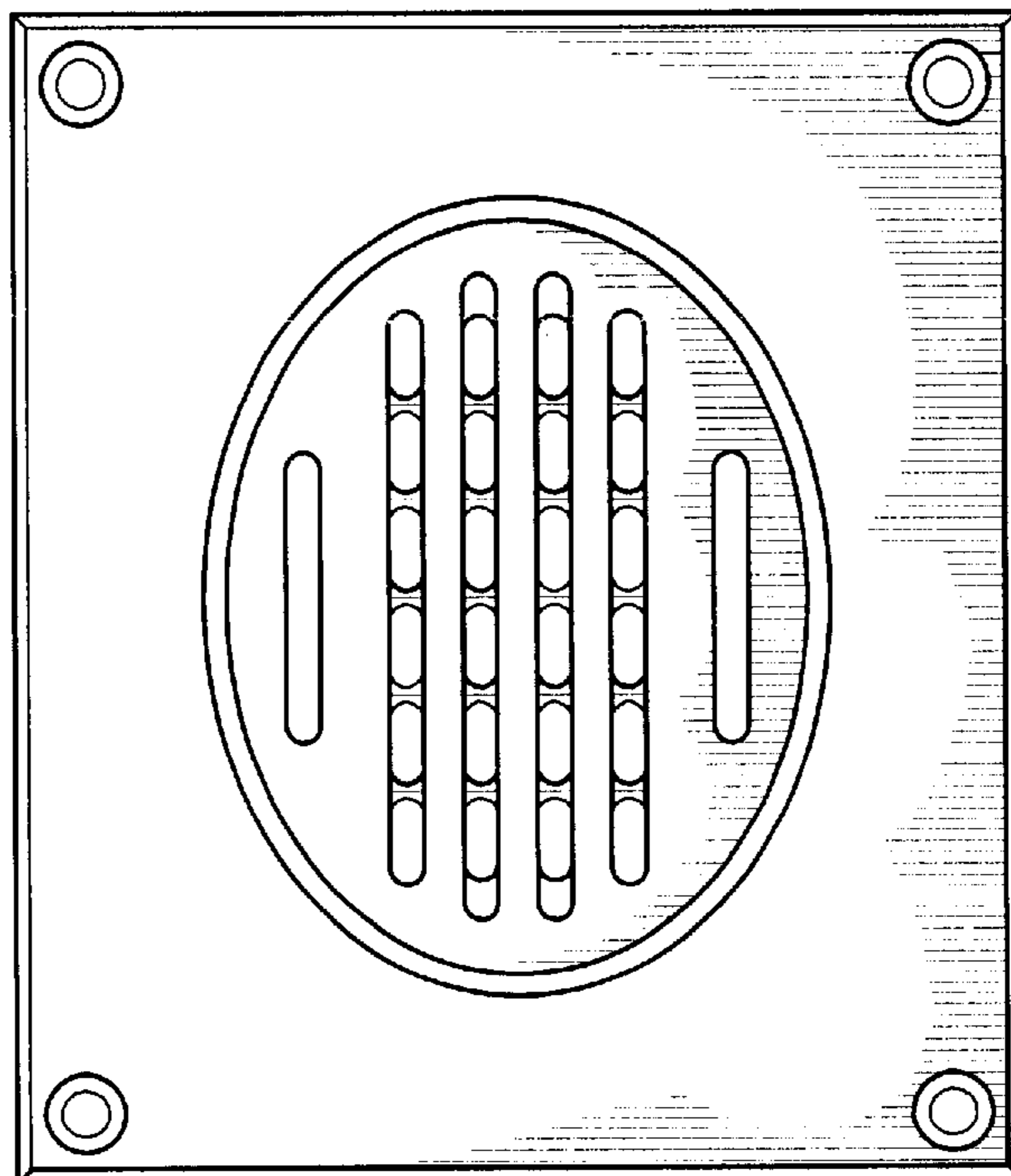


Fig. 8



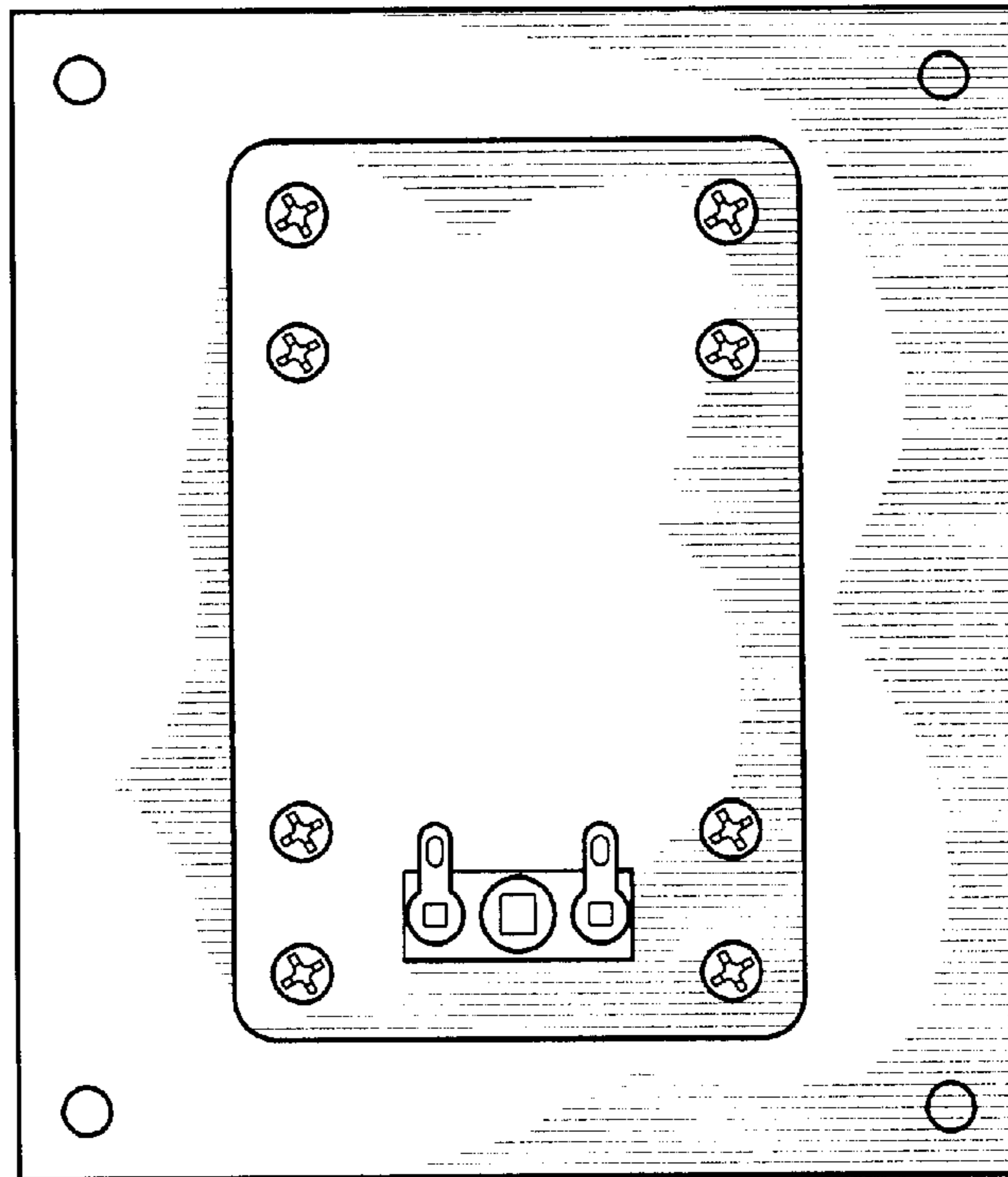


Fig. 9

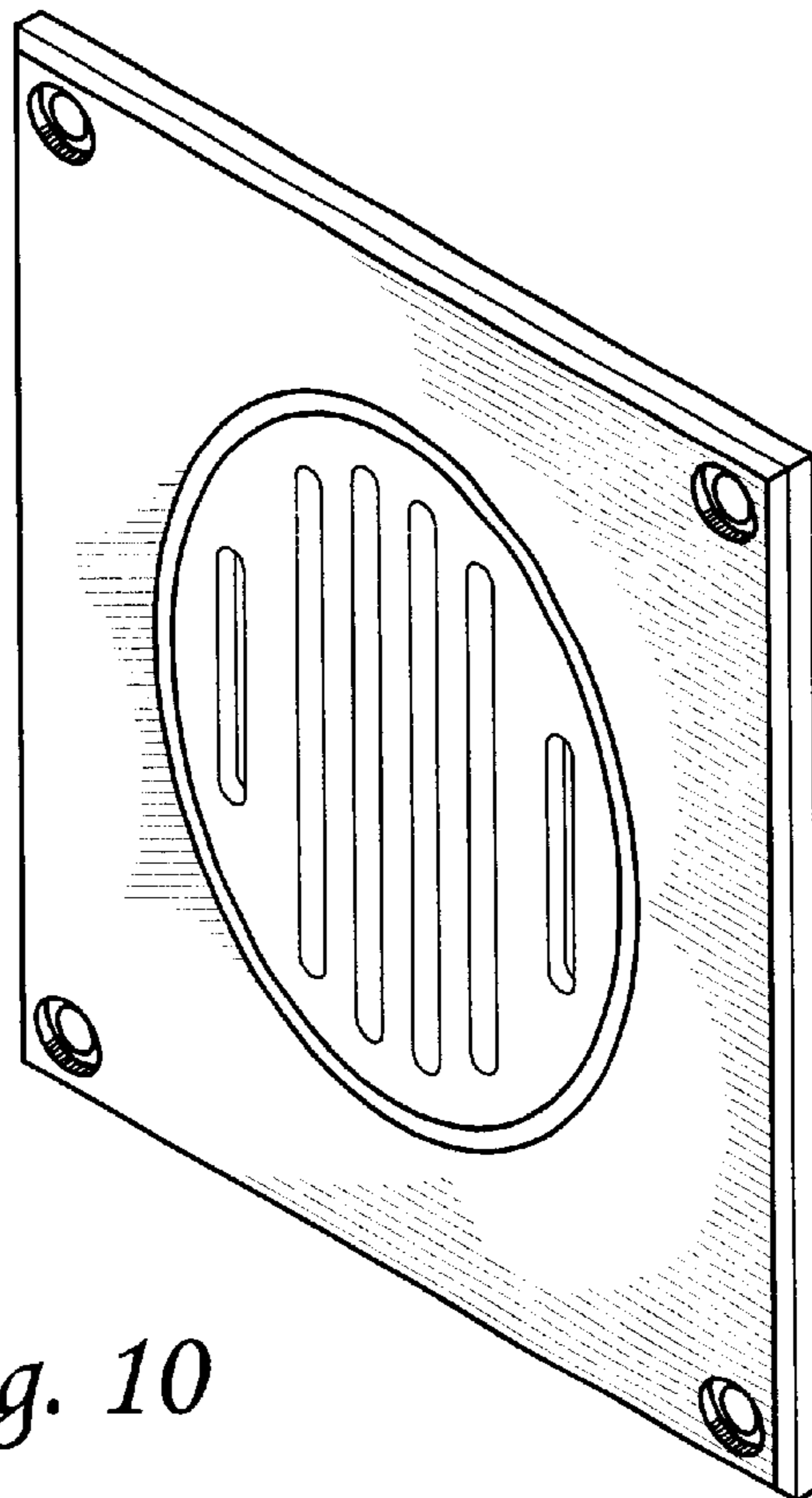


Fig. 10