



US00D521978S

(12) **United States Design Patent**
Morita et al.

(10) **Patent No.:** **US D521,978 S**

(45) **Date of Patent:** **** May 30, 2006**

(54) **SPEAKER**

(75) Inventors: **Ayako Morita**, Tokyo (JP); **Yasuhisa Kaneda**, Tokyo (JP); **Michio Deguchi**, Tokyo (JP); **Tomohiro Yabe**, Tokyo (JP)

(73) Assignee: **Sony Computer Entertainment Inc.**, Tokyo (JP)

(**) Term: **14 Years**

(21) Appl. No.: **29/216,868**

(22) Filed: **Nov. 10, 2004**

(30) **Foreign Application Priority Data**

May 10, 2004 (JP) D2004-013701

(51) **LOC (8) Cl.** **14-01**

(52) **U.S. Cl.** **D14/211**

(58) **Field of Classification Search** D14/204, D14/207, 209-216, 356; 181/143-144, 147-148, 181/150, 157, 198-199, 151, 153; 381/300-302, 381/306, 333, 345, 361-364, 386-388, 332, 381/336

See application file for complete search history.

(56) **References Cited**

U.S. PATENT DOCUMENTS

D416,258 S 11/1999 Tejima

D417,874 S * 12/1999 Suzuki D14/215
D435,539 S 12/2000 Tsuge
D449,036 S * 10/2001 Weikel et al. D14/215
D458,911 S 6/2002 Kataoka
D491,916 S * 6/2004 Allen D14/204

FOREIGN PATENT DOCUMENTS

JP 1157186 S 11/2002
JP 1201178 S 4/2004

* cited by examiner

Primary Examiner—Nanda Bondade

(74) *Attorney, Agent, or Firm*—Rader, Fishman & Grauer PLLC

(57) **CLAIM**

The ornamental design for a speaker, as shown and described.

DESCRIPTION

FIG. 1 is a front elevational view of a speaker showing our new design;

FIG. 2 is a right side elevational view thereof, a left side elevational view being a mirror image of the right elevational view;

FIG. 3 is a top plan view thereof;

FIG. 4 is a rear elevational view thereof;

FIG. 5 is a bottom plan view thereof; and,

FIG. 6 is a perspective view thereof.

1 Claim, 3 Drawing Sheets

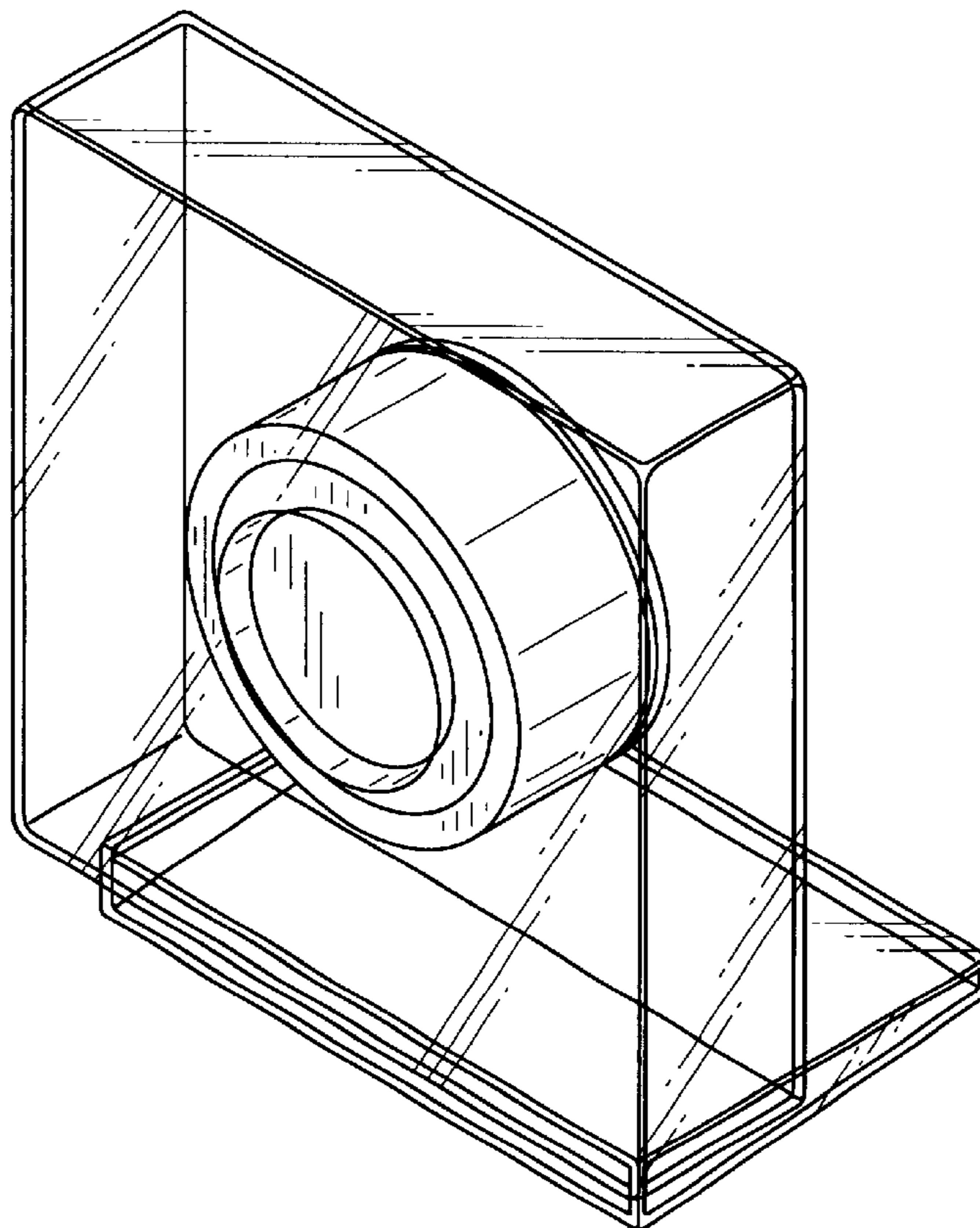


FIG.1

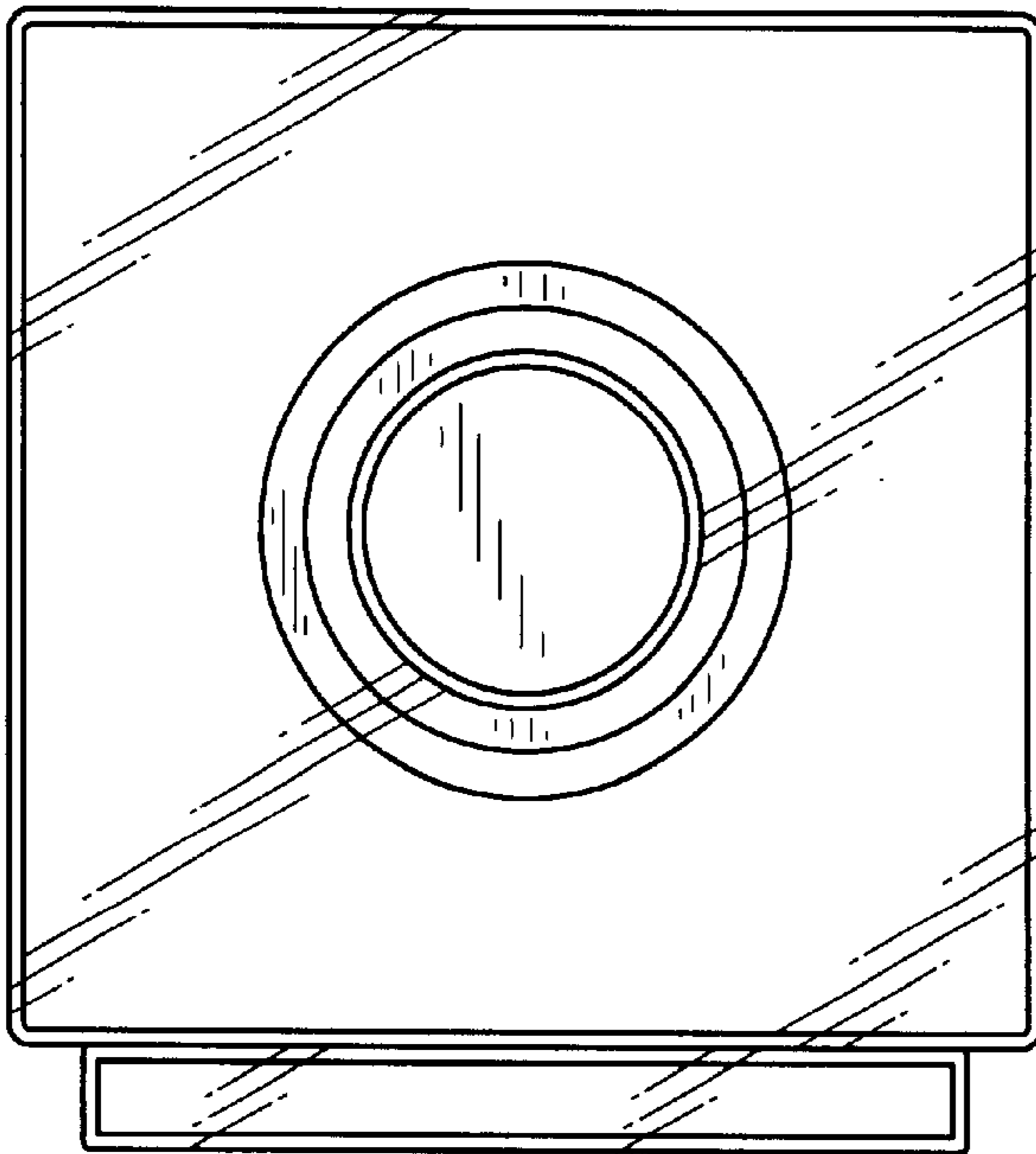


FIG.2

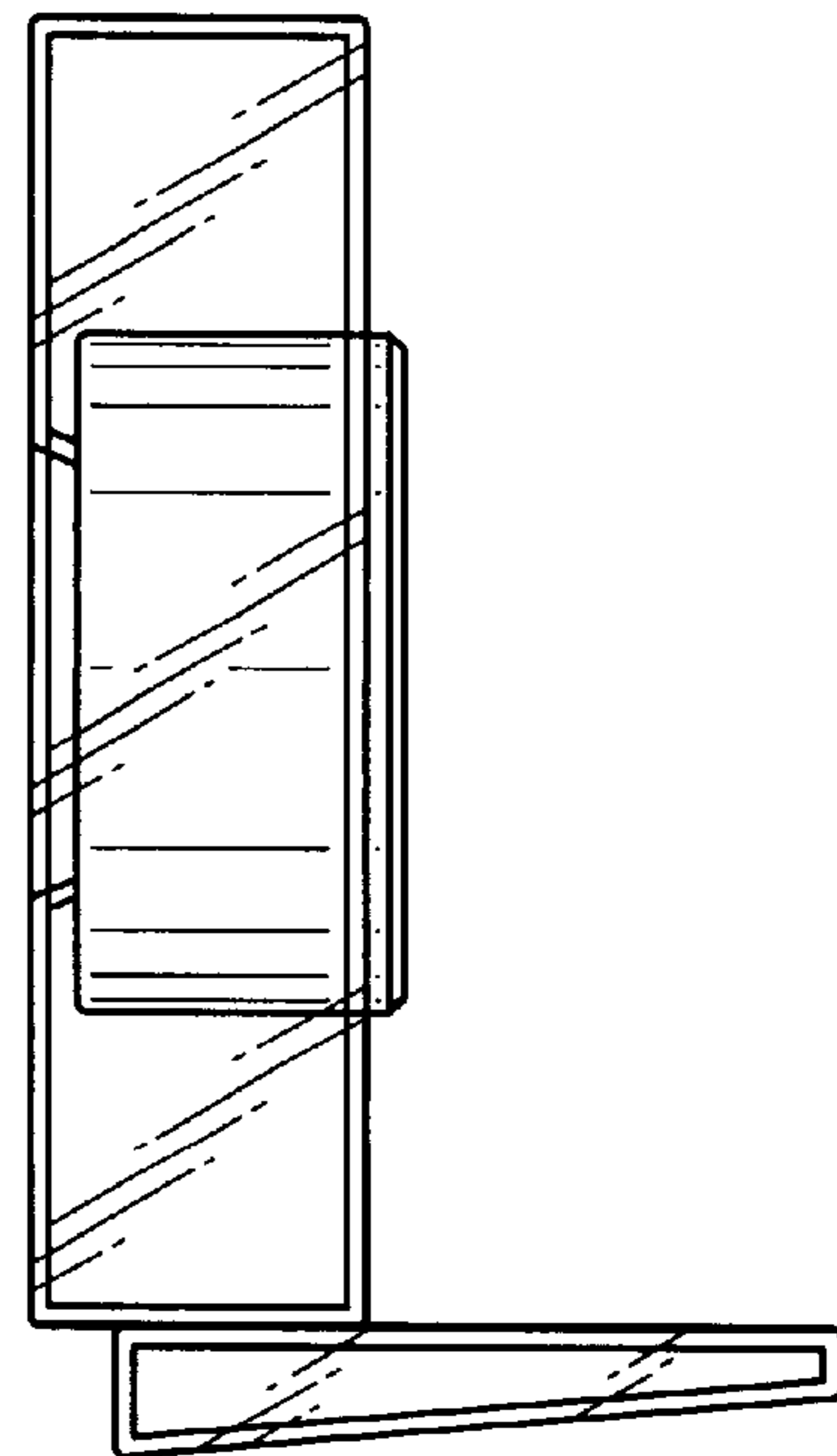


FIG.3

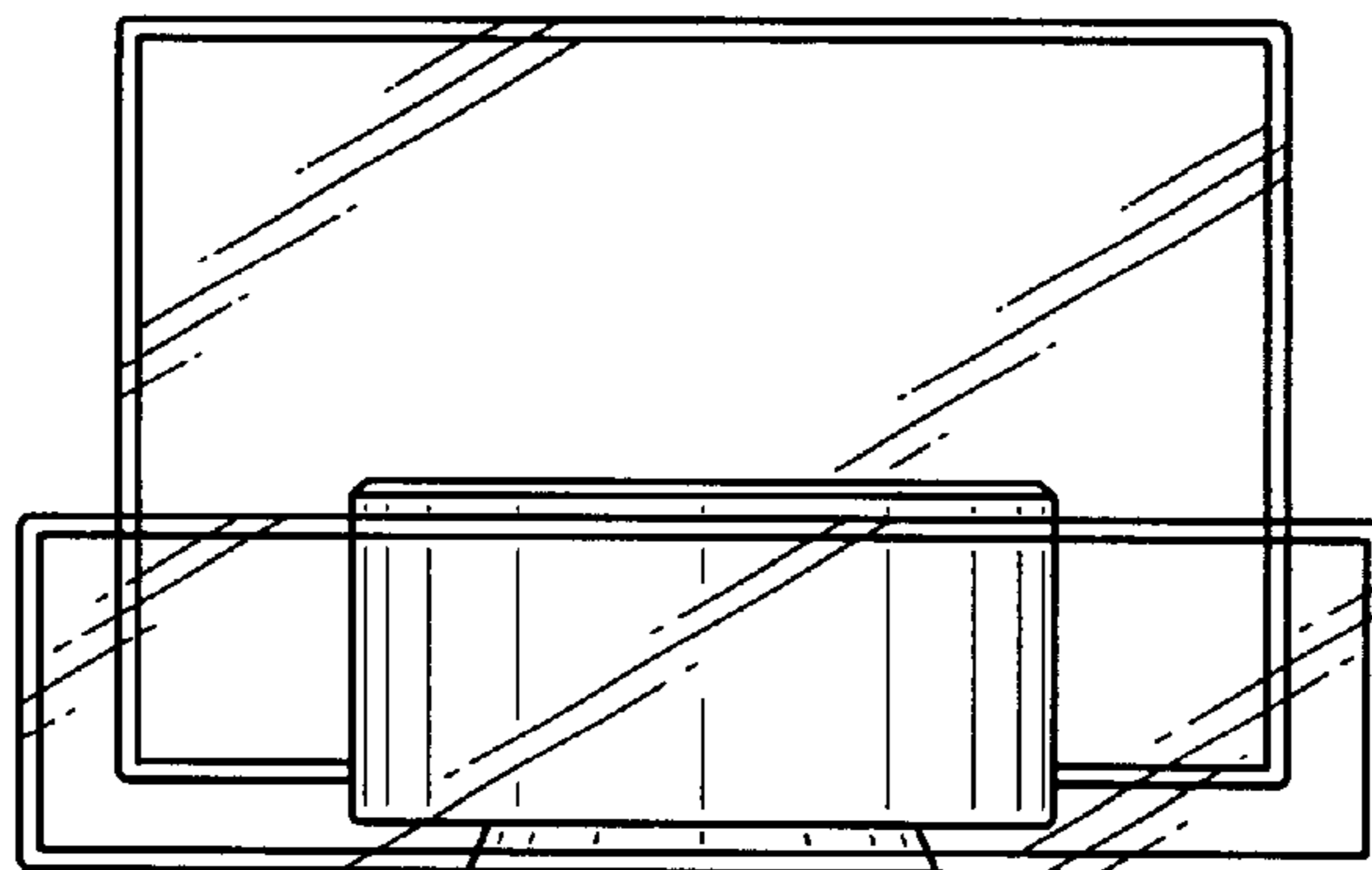


FIG.4

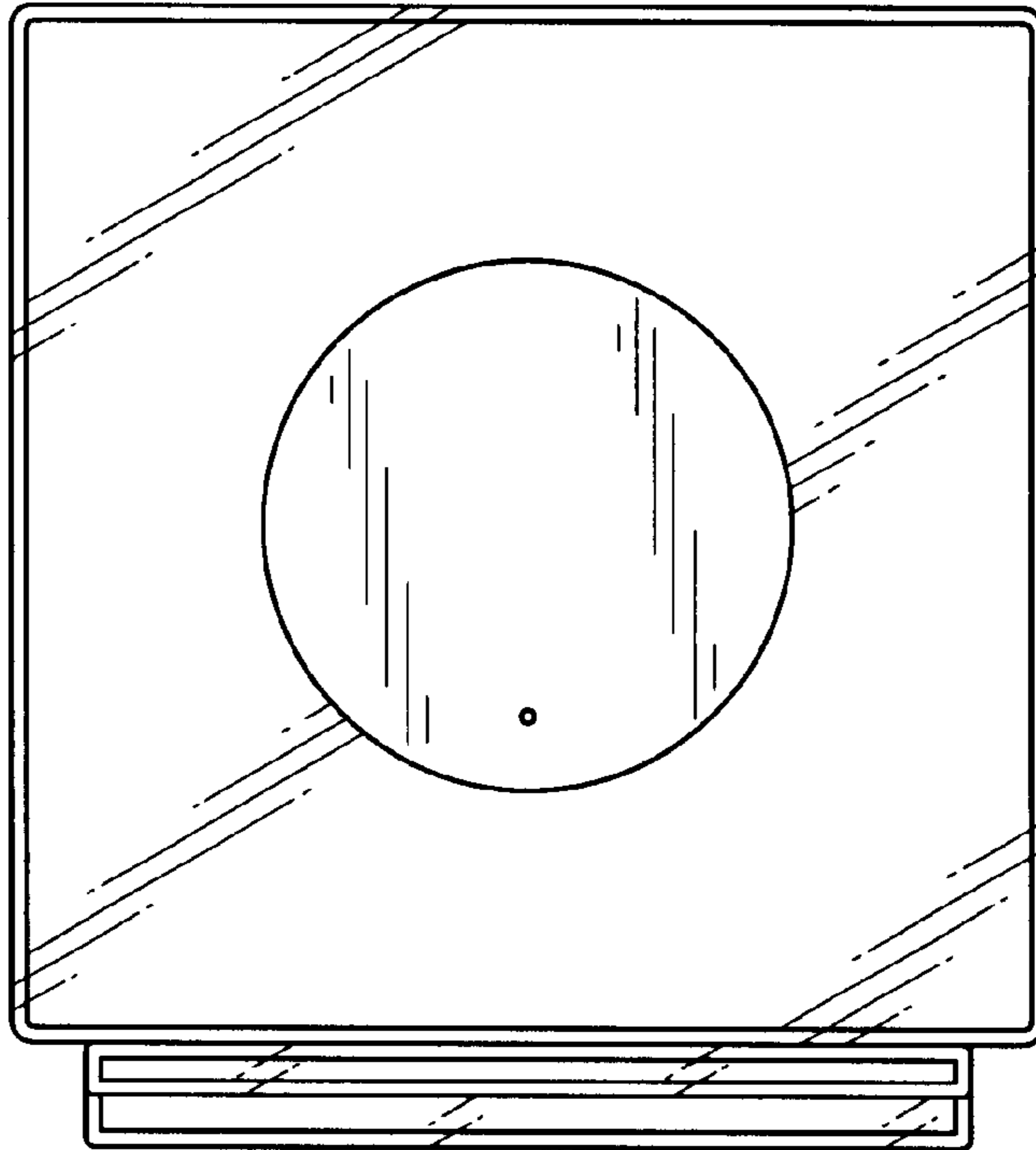


FIG.5

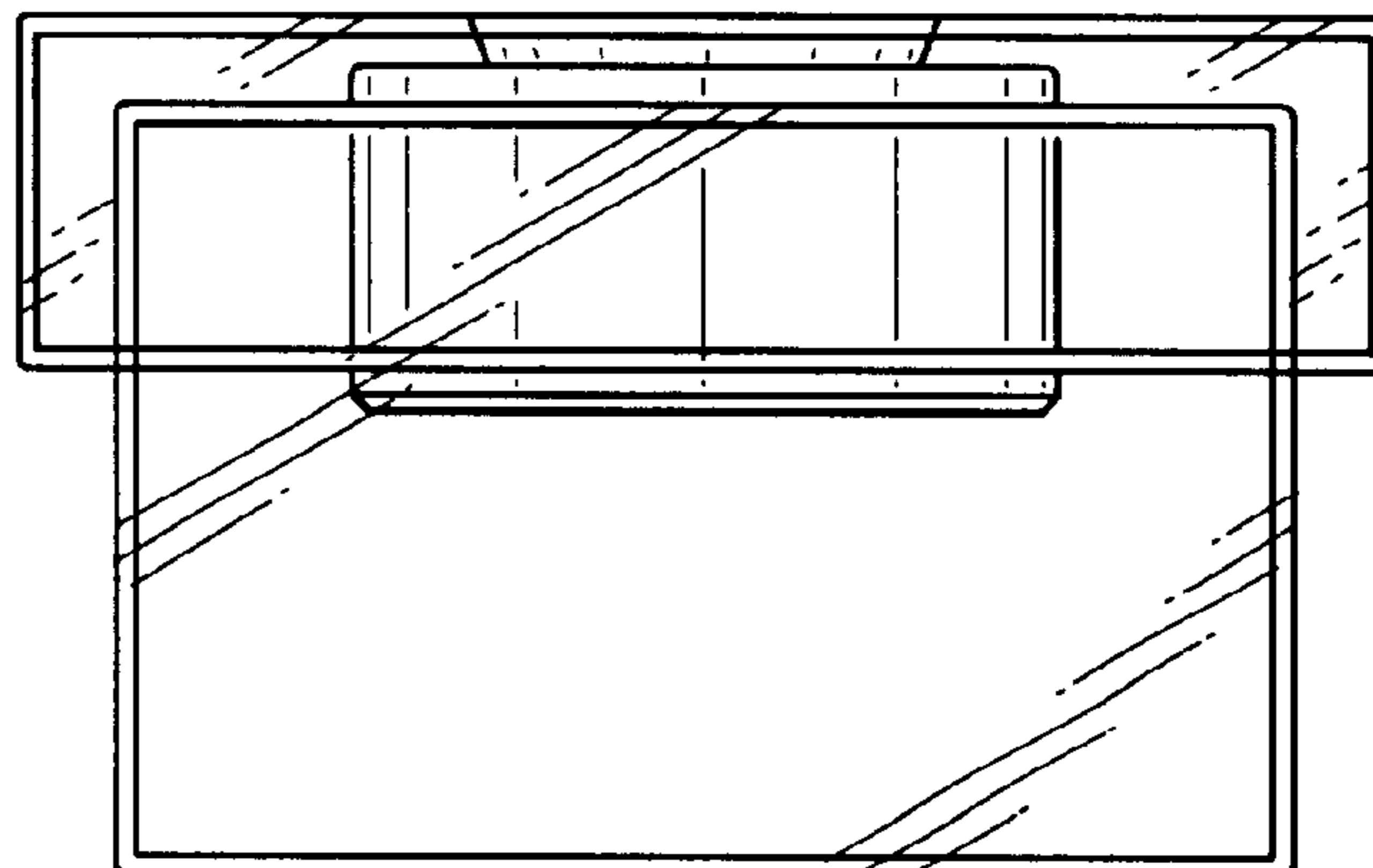


FIG.6

