



US00D521975S

(12) **United States Design Patent**
Yokoyama

(10) **Patent No.:** **US D521,975 S**

(45) **Date of Patent:** **** May 30, 2006**

(54) **COMBINED RADIO RECEIVER AND CLOCK**

D486,470 S 2/2004 Hakoda
D496,649 S 9/2004 Murakami

(75) Inventor: **Hiroaki Yokoyama**, Tokyo (JP)

* cited by examiner

(73) Assignee: **Sony Corporation**, Tokyo (JP)

Primary Examiner—Nanda Bondade
(74) *Attorney, Agent, or Firm*—Rader, Fishman & Grauer PLLC

(**) Term: **14 Years**

(21) Appl. No.: **29/217,051**

(57) **CLAIM**

(22) Filed: **Nov. 15, 2004**

The ornamental design for a combined radio receiver and clock, as shown and described.

(51) **LOC (8) Cl.** **14-01**

(52) **U.S. Cl.** **D14/171**

(58) **Field of Classification Search** D10/1,
D10/2, 15; D14/168, 170, 171, 188, 193–198;
455/344, 347, 350, 351

See application file for complete search history.

DESCRIPTION

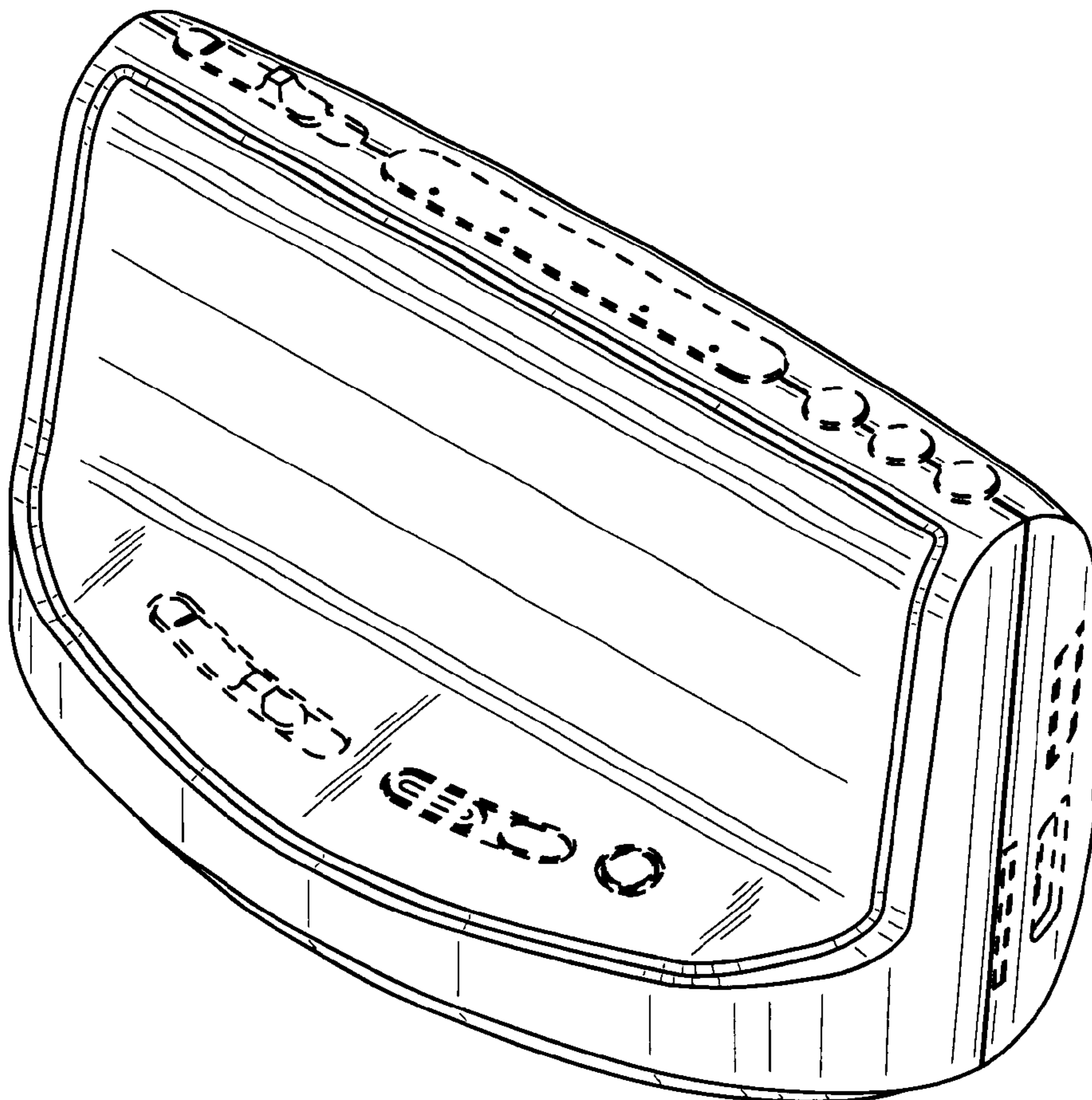
FIG. 1 is a perspective view of a combined radio receiver and clock showing my new design;
FIG. 2 is a front elevational view thereof;
FIG. 3 is a rear elevational view thereof;
FIG. 4 is a left side elevational view thereof;
FIG. 5 is a right side elevational view thereof;
FIG. 6 is a top plan view thereof; and,
FIG. 7 is a bottom plan view thereof.
Portions of the figures that are shown as broken lines are for illustrative purpose only and form no part of the claimed design.

(56) **References Cited**

U.S. PATENT DOCUMENTS

D242,385 S	*	11/1976	Hamada	D14/171
D246,105 S	*	10/1977	Coons	D14/171
D246,309 S	*	11/1977	Nakamura	D14/171
D348,397 S	*	7/1994	Davis	D10/15
D348,614 S	*	7/1994	Davis	D10/15
D394,213 S	*	5/1998	Plogman	D10/15

1 Claim, 4 Drawing Sheets



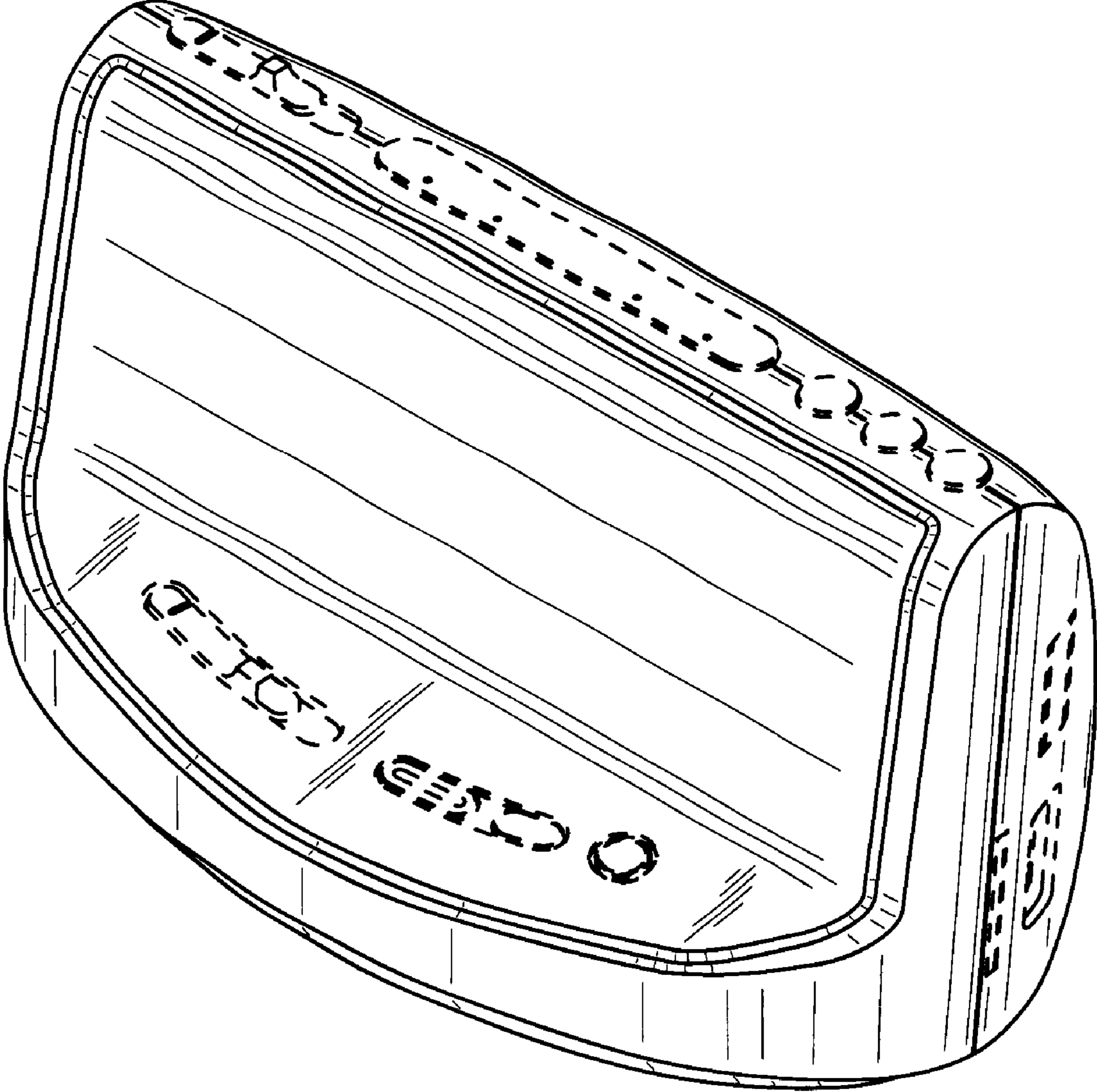


FIG. 1

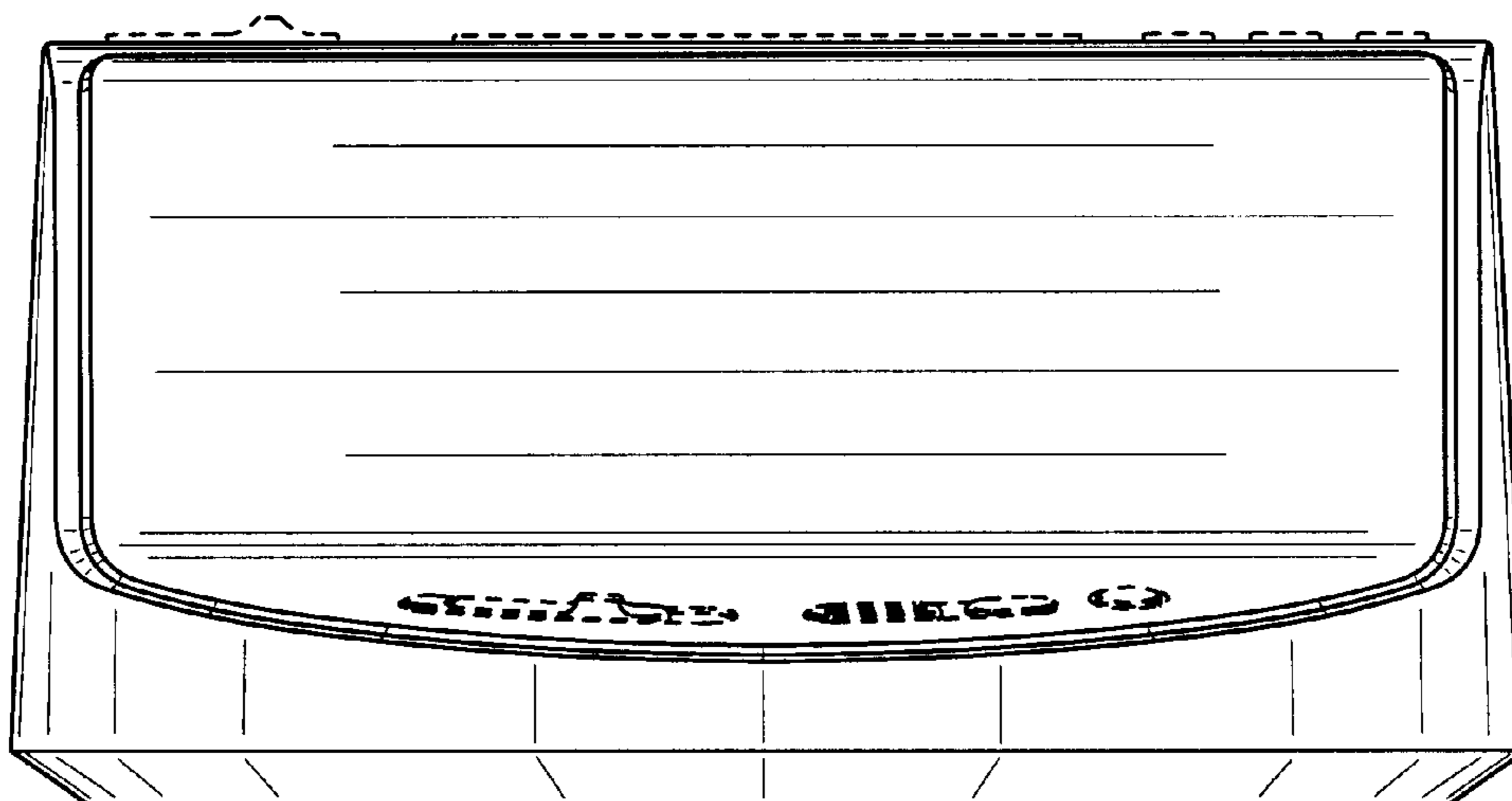


FIG. 2

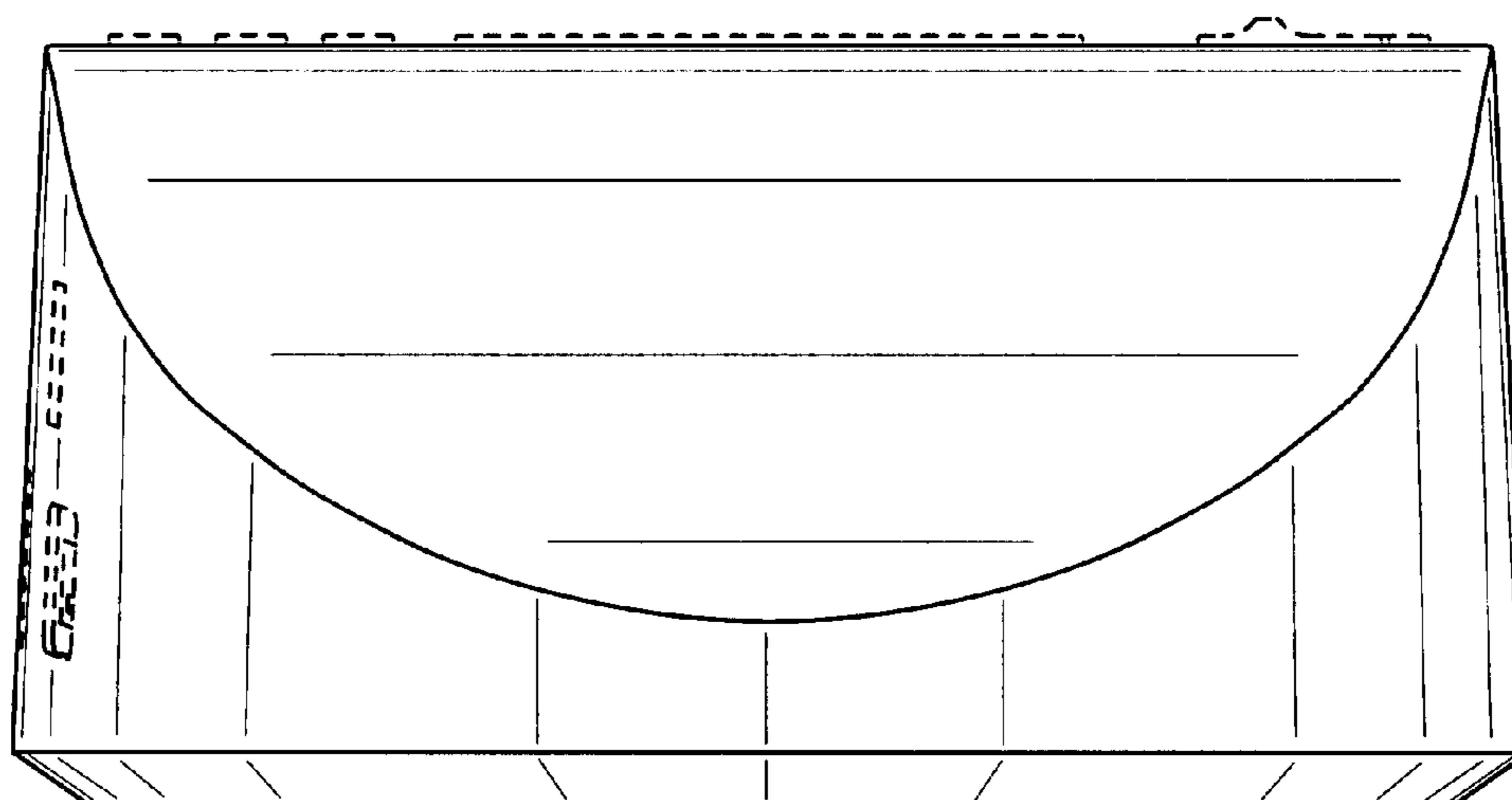


FIG. 3

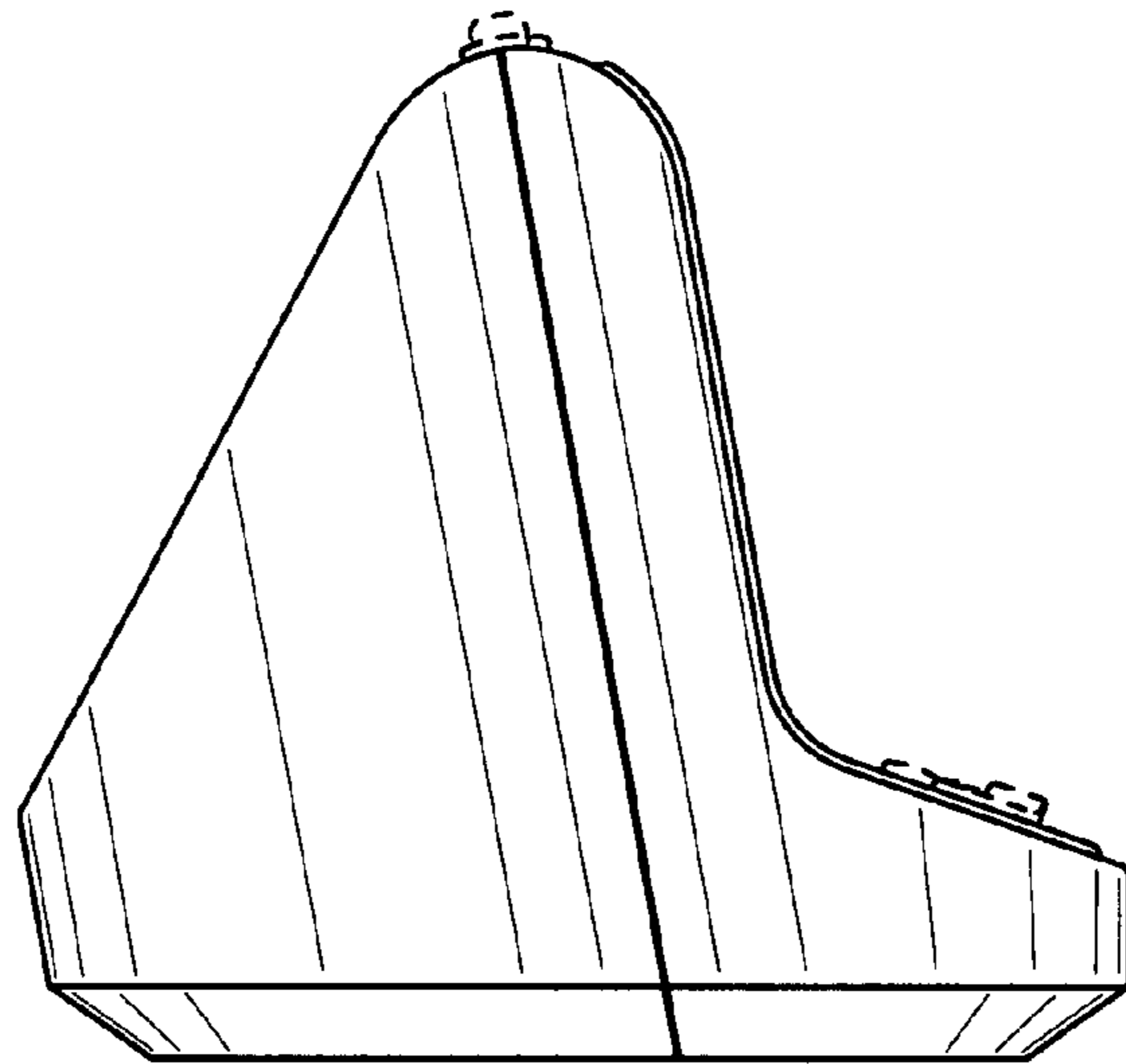


FIG. 4

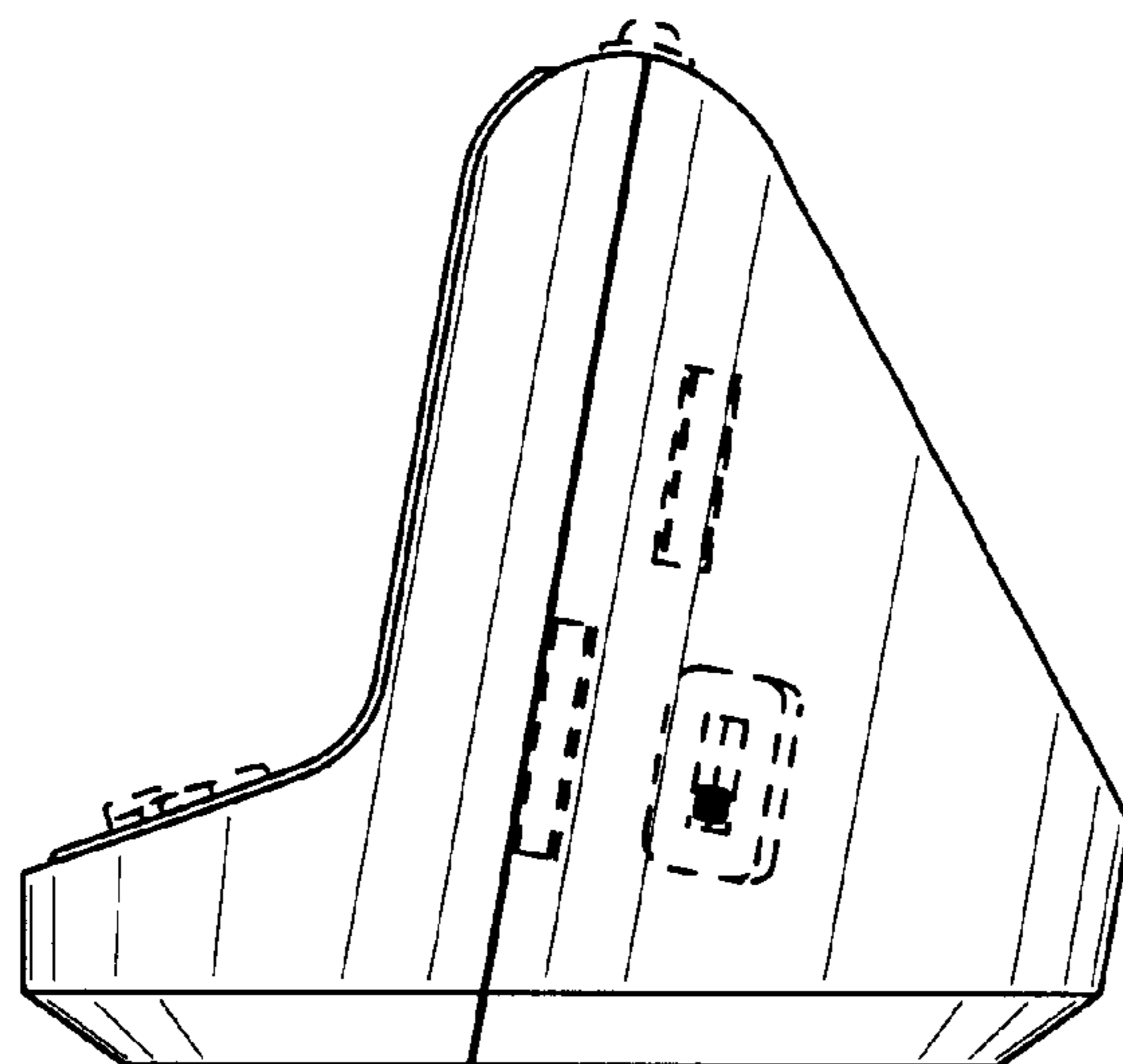


FIG. 5

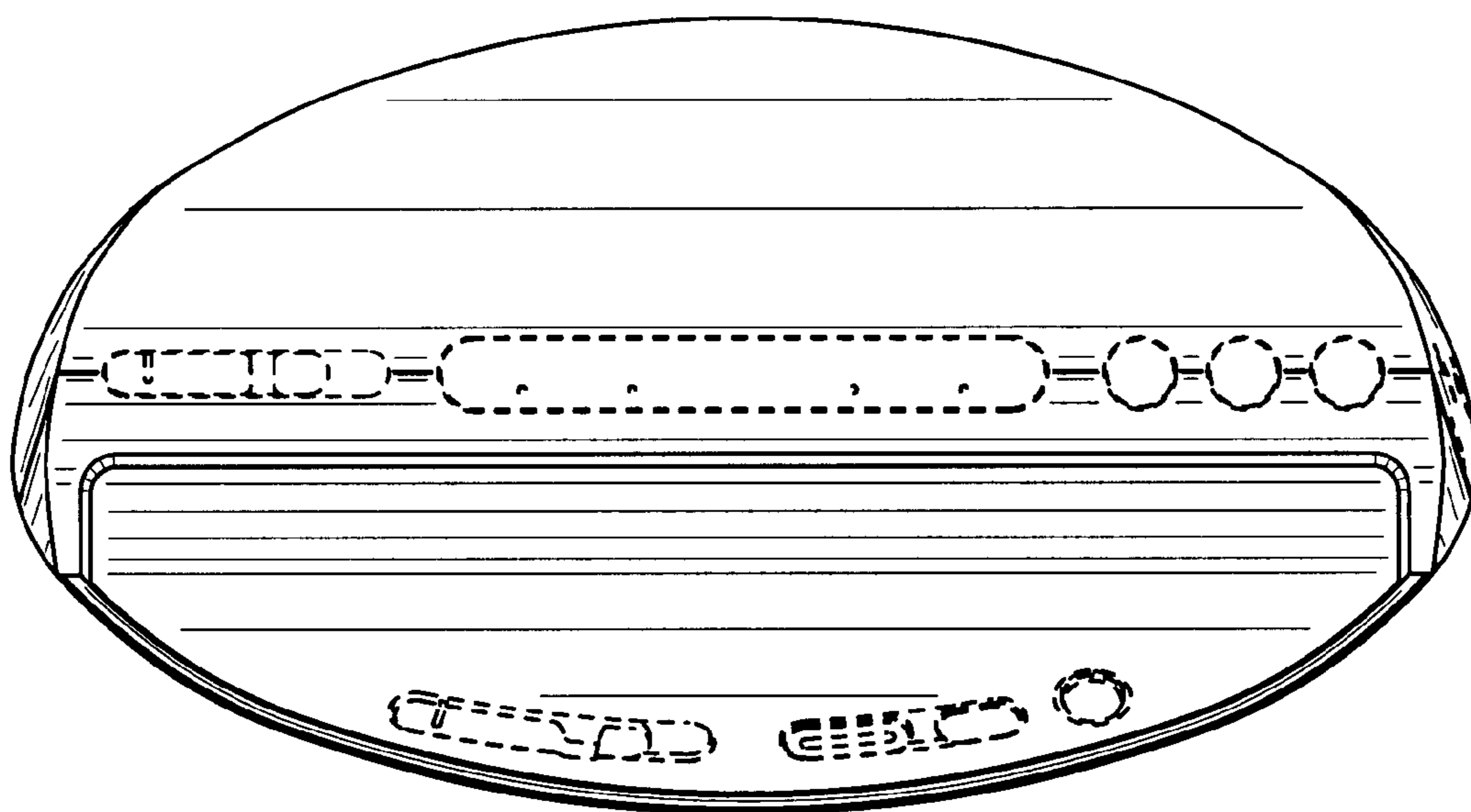


FIG. 6

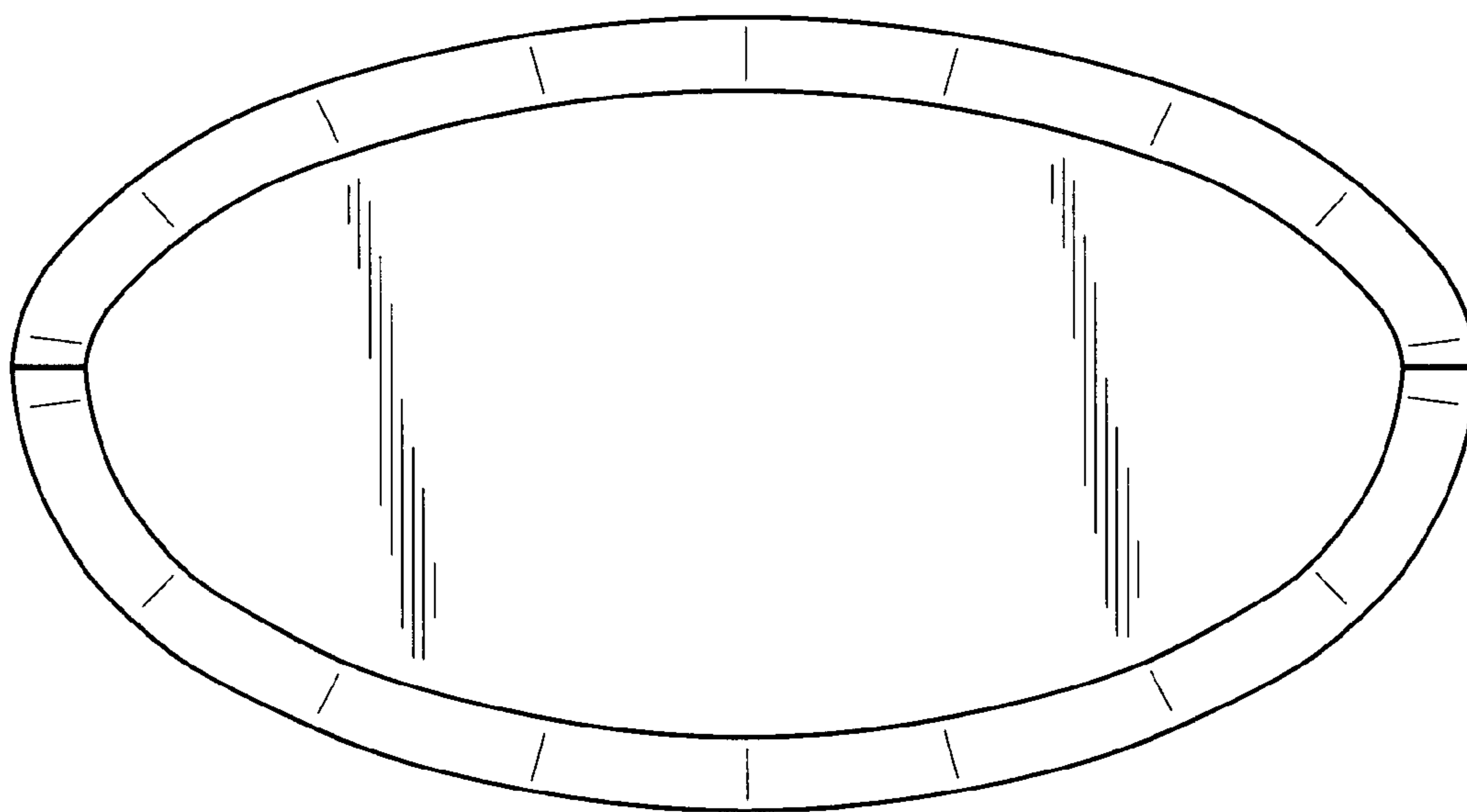


FIG. 7