



US00D521974S

(12) **United States Design Patent**
Katsumata

(10) **Patent No.:** **US D521,974 S**

(45) **Date of Patent:** **** May 30, 2006**

(54) **COMBINED DISC PLAYER, RADIO RECEIVER AND TAPE RECORDER**

D473,206 S * 4/2003 Sasago et al. D14/168
D488,797 S * 4/2004 Hioki D14/168

(75) Inventor: **Kenji Katsumata**, Tokyo (JP)

(73) Assignee: **Sony Corporation**, Tokyo (JP)

(**) Term: **14 Years**

(21) Appl. No.: **29/213,310**

(22) Filed: **Sep. 16, 2004**

(51) **LOC (8) Cl.** **14-01**

(52) **U.S. Cl.** **D14/168**

(58) **Field of Classification Search** D14/135-136,
D14/160-168, 188, 197-198, 156-157; 455/100,
455/344, 346-351, 157.1; 369/75.1, 75.2,
369/77.2

See application file for complete search history.

(56) **References Cited**

U.S. PATENT DOCUMENTS

- D423,500 S 4/2000 Miyazaki
- D424,058 S * 5/2000 Shudo D14/168
- D435,535 S * 12/2000 Shudo et al. D14/168
- D455,415 S 4/2002 Suzuki
- D467,569 S * 12/2002 Kobayashi D14/168
- D468,718 S * 1/2003 Cuvelier D14/168

OTHER PUBLICATIONS

Web page "Jumbo online, CMT-HP8V, MHC-GN77D" 2 sheets, Jumbo Electronics Company (Sep. 2004).

* cited by examiner

Primary Examiner—Nanda Bondade

(74) *Attorney, Agent, or Firm*—Rader, Fishman & Grauer PLLC

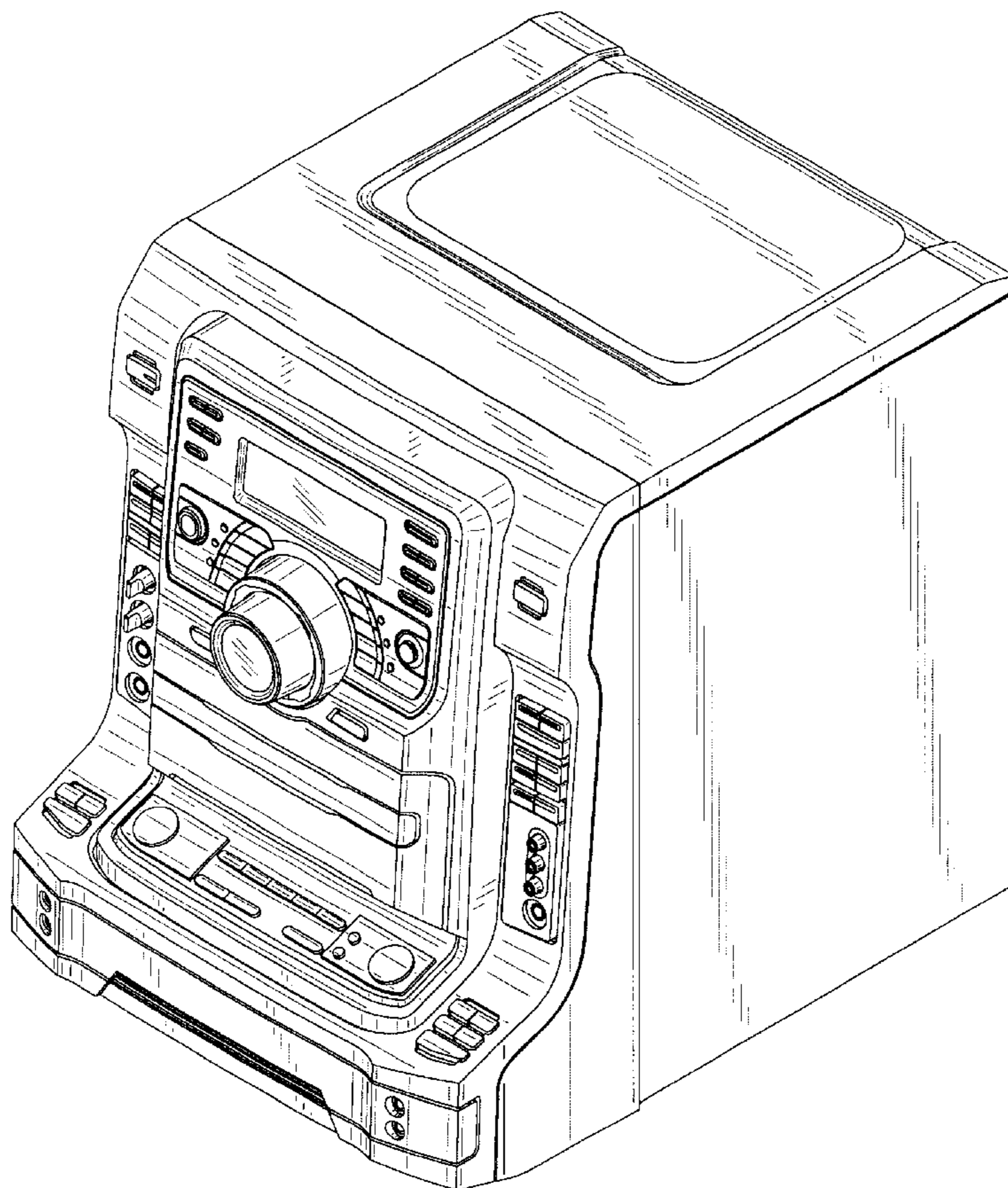
(57) **CLAIM**

The ornamental design for a combined disc player, radio receiver and tape recorder, as shown.

DESCRIPTION

FIG. 1 is a perspective view of a combined disc player, radio receiver and tape recorder showing my new design; FIG. 2 is a front elevational view thereof; FIG. 3 is a rear elevational view thereof; FIG. 4 is a right side elevational view thereof; FIG. 5 is a left side elevational view thereof; FIG. 6 is a top plan view thereof; and, FIG. 7 is a bottom plan view thereof.

1 Claim, 4 Drawing Sheets



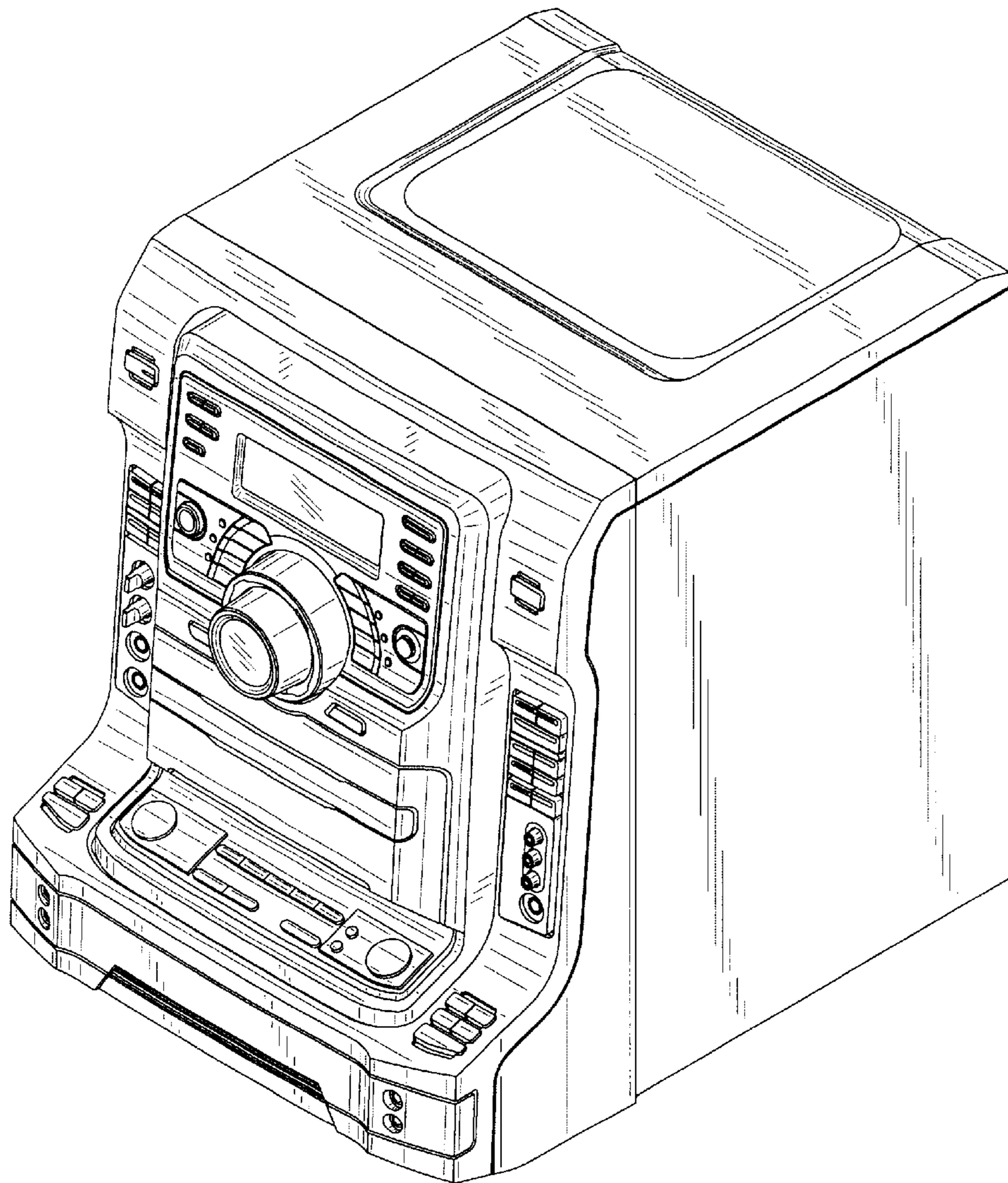


FIG. 1

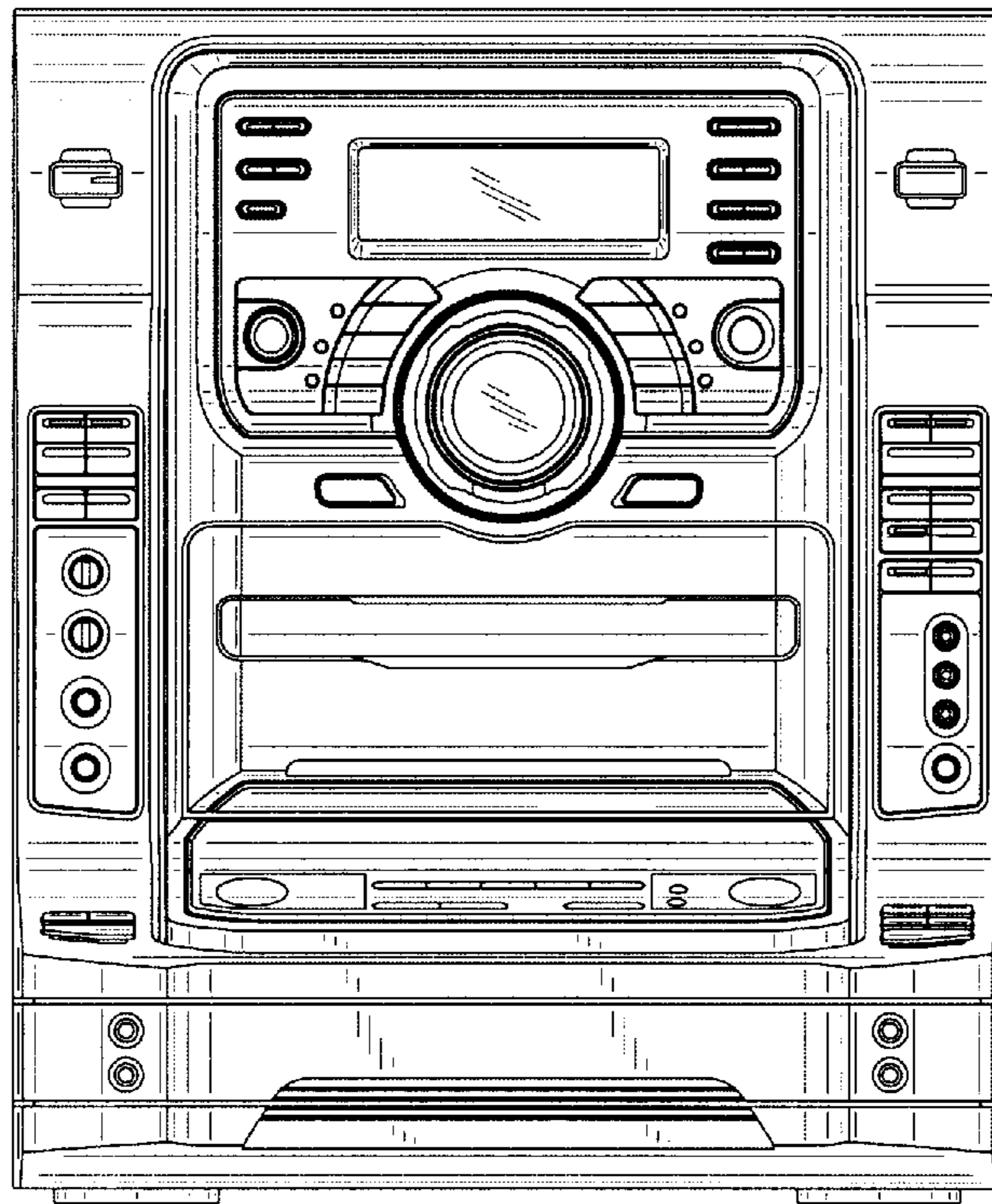


FIG. 2

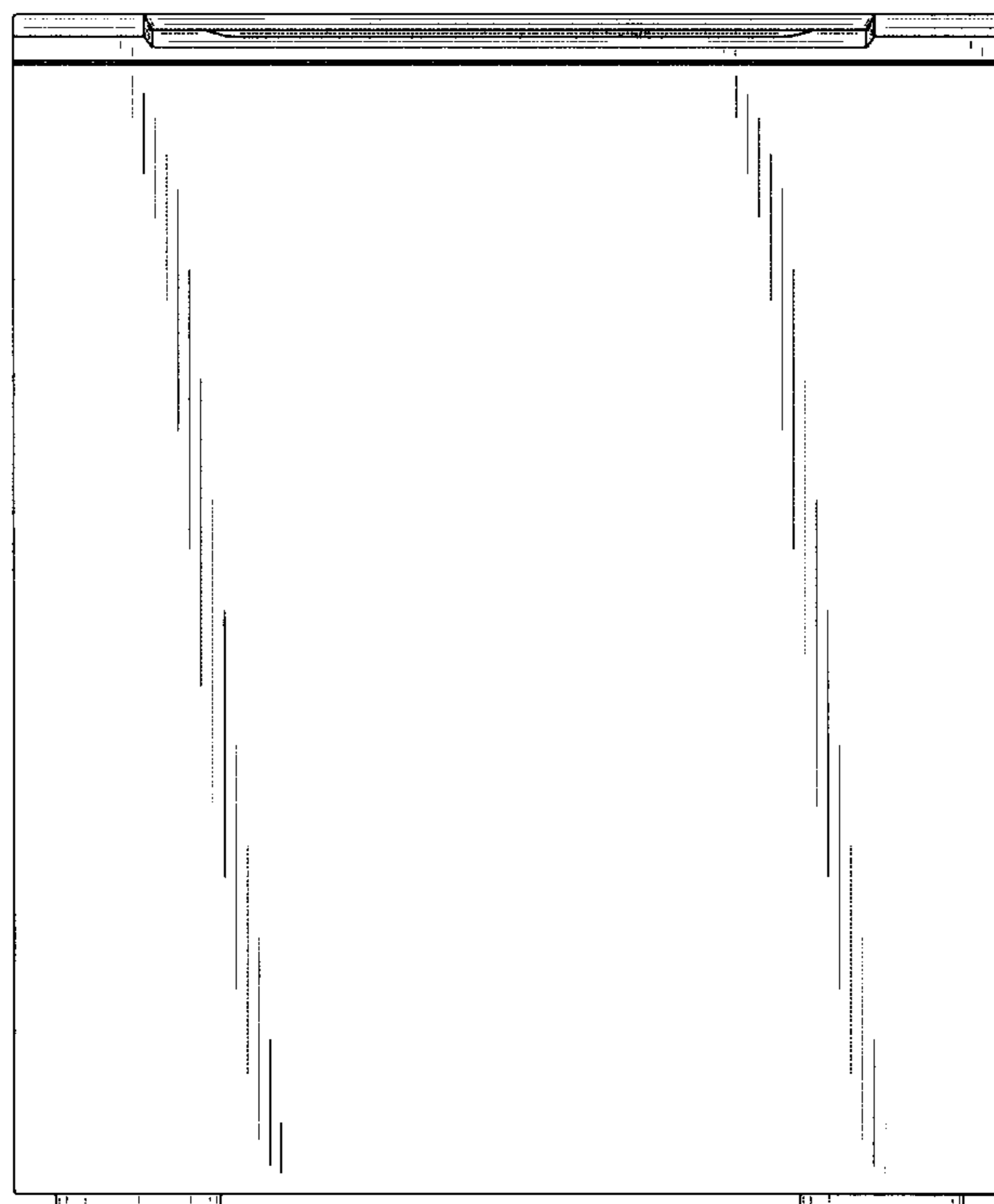


FIG. 3

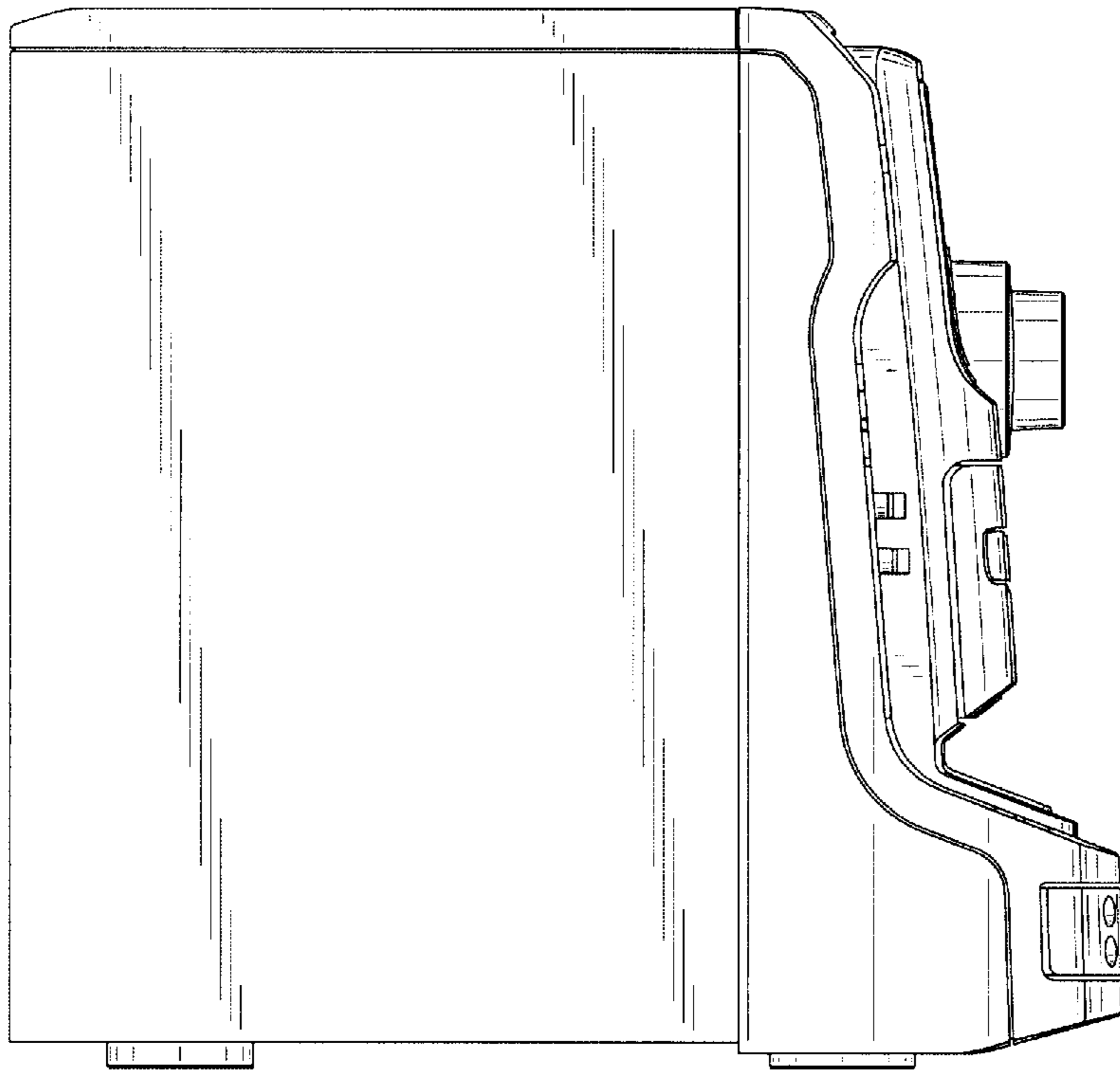


FIG. 4

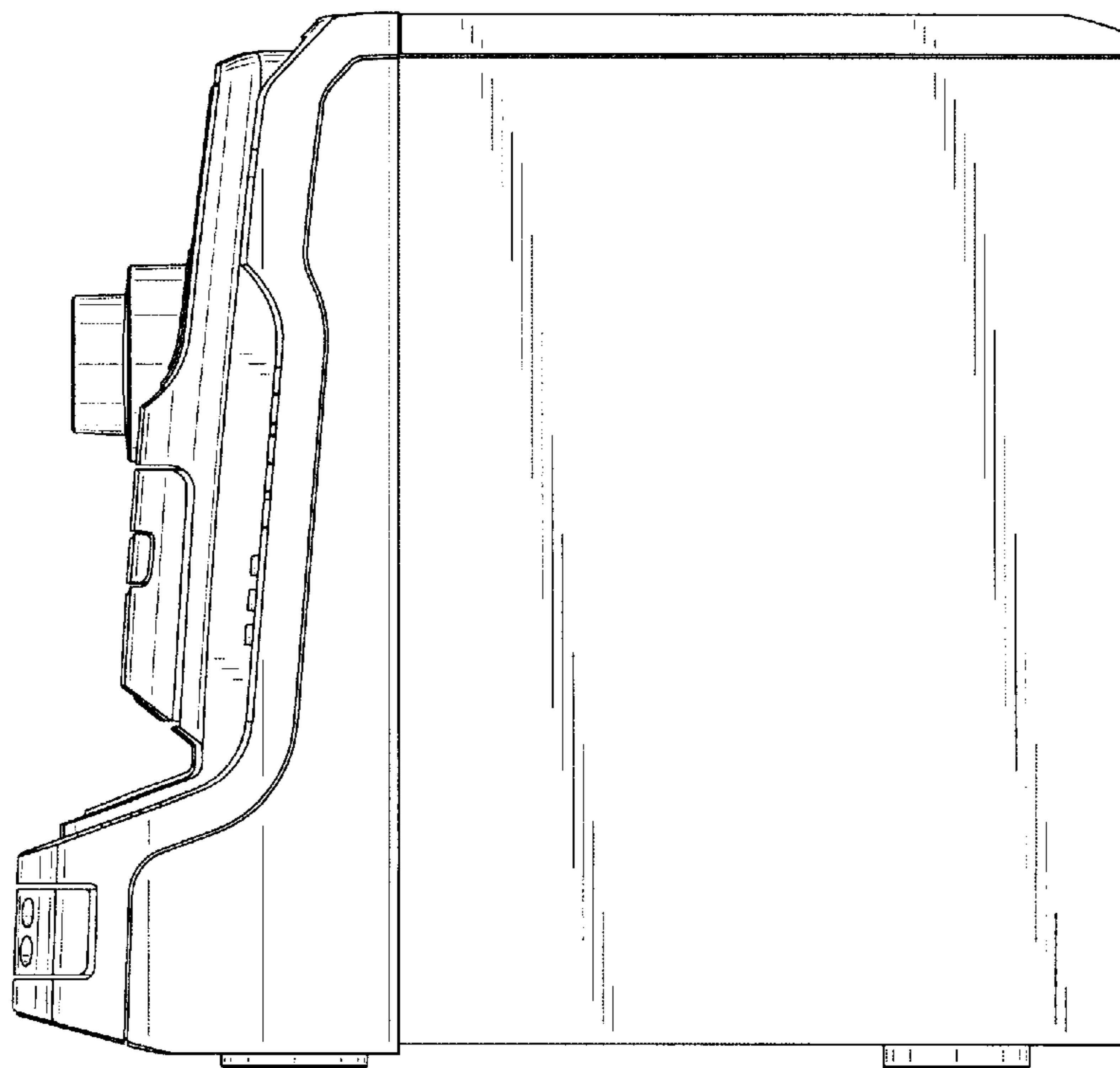


FIG. 5

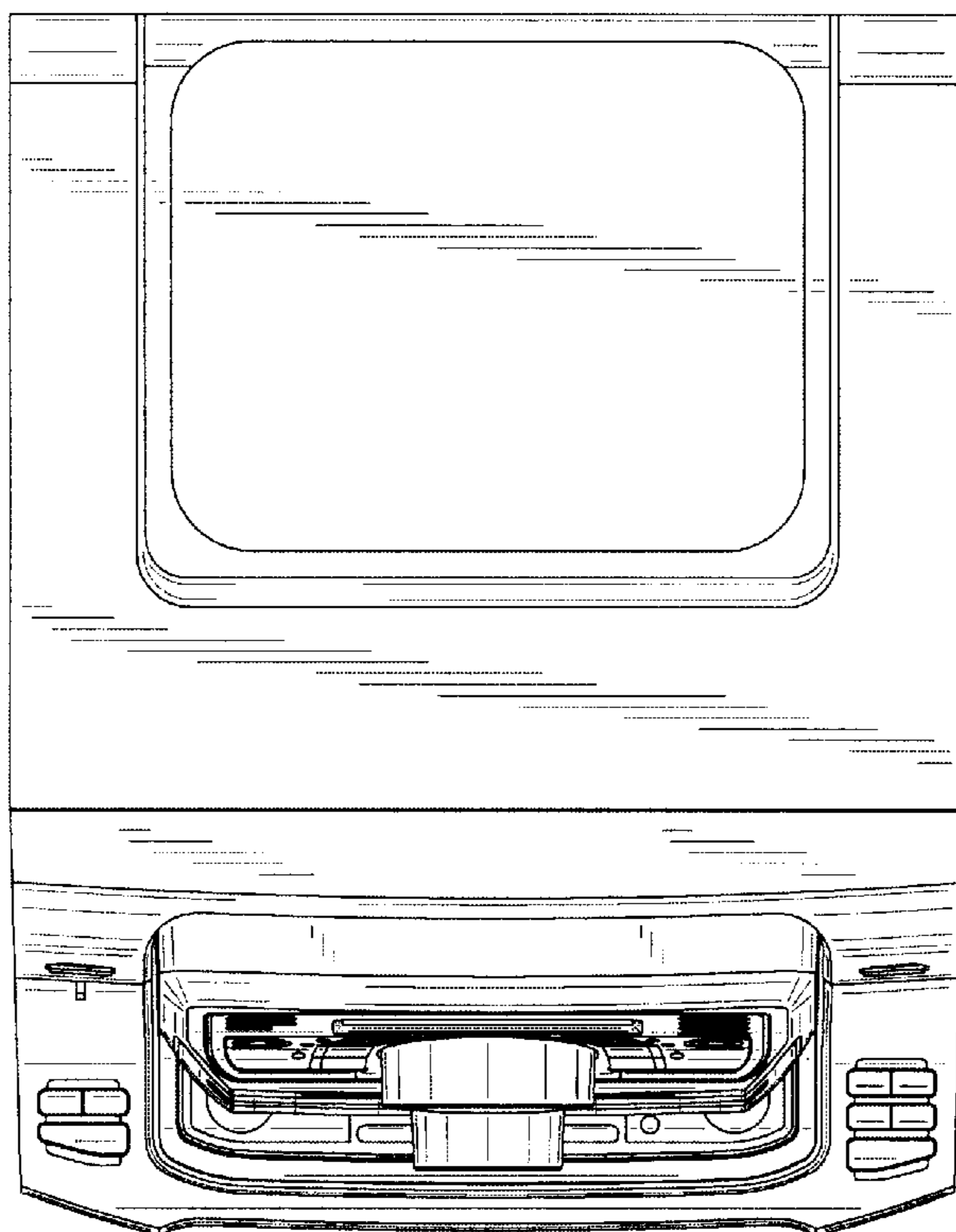


FIG. 6

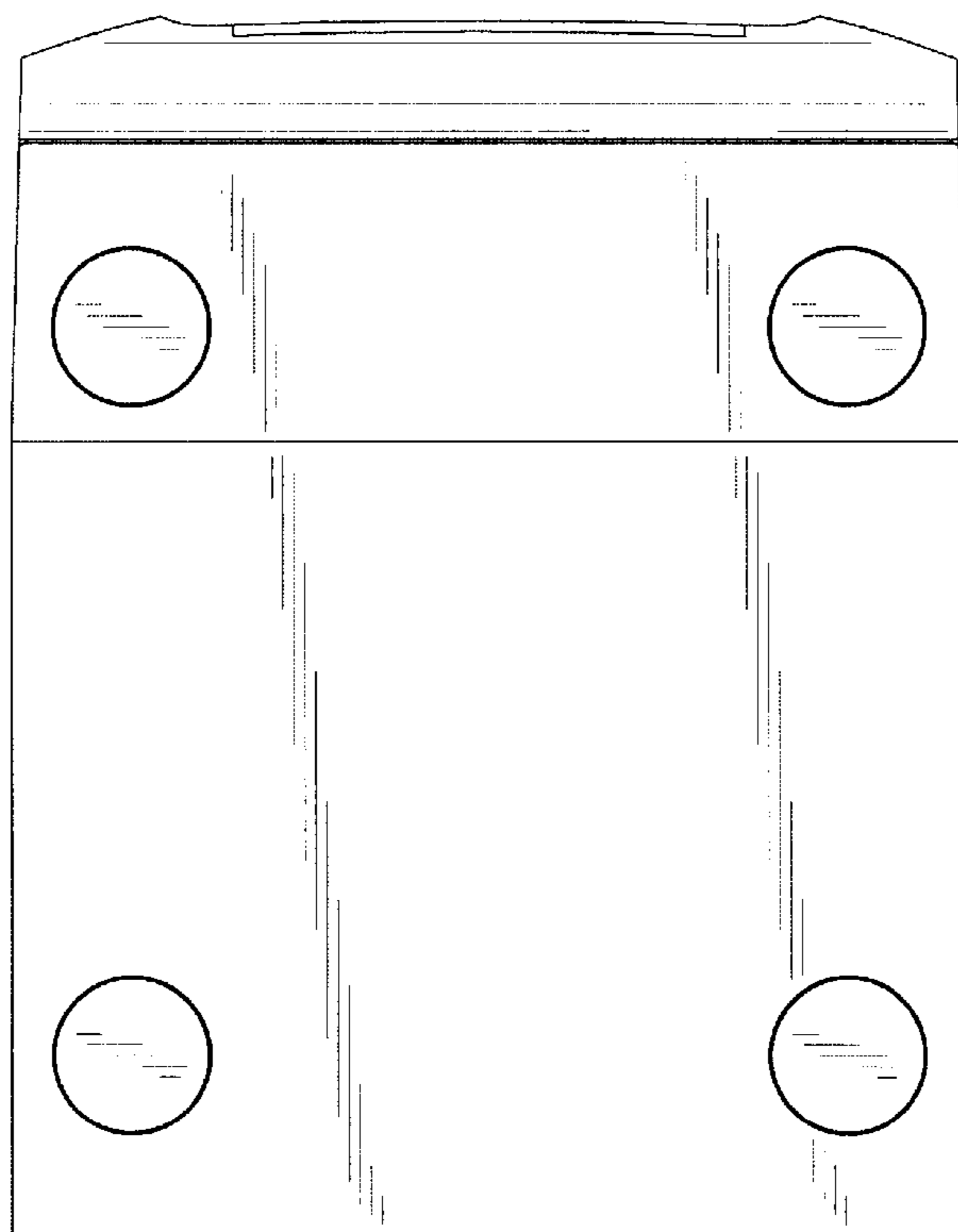


FIG. 7