



US00D521970S

(12) **United States Design Patent** (10) **Patent No.:** **US D521,970 S**
Han et al. (45) **Date of Patent:** **** May 30, 2006**

(54) **PORTABLE TELEPHONE** D485,248 S * 1/2004 Ogawa D14/138

(Continued)

(75) Inventors: **Woo-Seung Han**, Seoul (KR);
Yoon-Young Cho, Seoul (KR);
Jong-Seong Lee, Seoul (KR);
Chang-Hwan Hwang, Seoul (KR)

FOREIGN PATENT DOCUMENTS

JP D1154363 9/2002
JP 1188710 * 10/2003

(73) Assignee: **Samsung Electronics Co., Ltd.**,
Kyunggi-do (KR)

OTHER PUBLICATIONS

(**) Term: **14 Years**

U.S. Appl. No. 29/204,878, Applicant: Bum-Soo Park, et al., filed May 5, 2004 entitled Portable Telephone.

(21) Appl. No.: **29/226,455**

U.S. Appl. No. 29/204,882, Applicant: Jin-Soo Kim, et al., filed May 5, 2004 entitled Portable Telephone.

(22) Filed: **Mar. 29, 2005**

U.S. Appl. No. 29/204,874, Applicant: Jin-Soo Kim, et al., filed May 5, 2004 entitled Portable Telephone.

(51) **LOC (8) Cl.** **14-03**

U.S. Appl. No. 29/204,875, Applicant: Jin-Soo Kim, et al., filed May 5, 2004 entitled Portable Telephone.

(52) **U.S. Cl.** **D14/138**

U.S. Appl. No. 29/204,883, Applicant: Jin-Soo Kim, et al., filed May 5, 2004 entitled Portable Telephone.

(58) **Field of Classification Search** D14/137,
D14/138, 147-148, 247-248, 144, 341-347;
379/433.01-433.13, 434; D21/517; 455/575.3,
455/566, 575.1; 345/169; 348/376, 14.02

U.S. Appl. No. 29/205,555, Applicant: Chi-Young Ahn, et al., filed May 17, 2004 entitled Portable Telephone.

See application file for complete search history.

U.S. Appl. No. 29/205,559, Applicant: Chi-Young Ahn, et al., filed May 17, 2004 entitled Portable Telephone.

(56) **References Cited**

(Continued)

U.S. PATENT DOCUMENTS

Primary Examiner—Jeffrey Asch

5,027,394 A	6/1991	Ono et al.	
5,428,350 A	6/1995	Kurcbart et al.	
5,436,954 A	7/1995	Nishiyama et al.	
D407,716 S	4/1999	Park	
D407,717 S	4/1999	Kim	
D407,718 S	4/1999	Lee	
D410,920 S	6/1999	Lee et al.	
D411,537 S	6/1999	Lee	
D414,765 S	10/1999	Park	
D415,151 S	10/1999	Kim	
D415,488 S	10/1999	Lee	
6,069,648 A	5/2000	Suso et al.	
D431,827 S	10/2000	Yim	
6,389,267 B1	5/2002	Imai	
6,396,924 B1	5/2002	Suso et al.	
D458,594 S	6/2002	Jang	
D477,293 S	7/2003	Hwang	
D481,697 S	* 11/2003	Rausch et al.	D14/138
D484,862 S	1/2004	Yang	
D484,863 S	1/2004	Chan	

(74) *Attorney, Agent, or Firm*—Fynn, Thiel, Boutell & Tanis, P.C.

(57) **CLAIM**

The ornamental design for a portable telephone, as shown and described.

DESCRIPTION

FIG. 1. is a top front perspective view of a portable telephone showing our new design.

FIG. 2. is a front elevational view thereof.

FIG. 3. is a rear elevational view thereof.

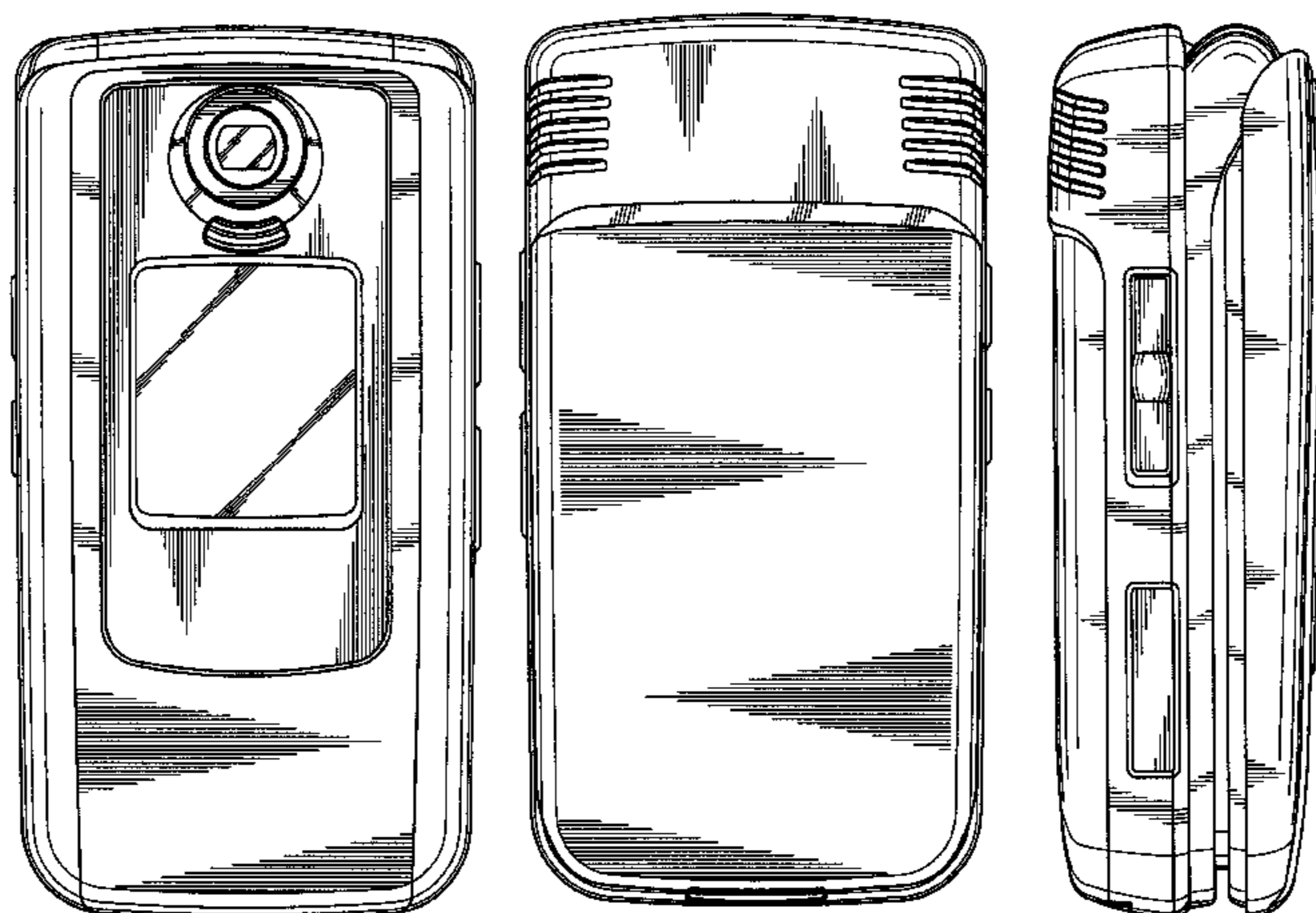
FIG. 4. is a left side elevational view thereof.

FIG. 5. is a right side elevational view thereof.

FIG. 6. is a top plan view thereof; and,

FIG. 7. is a bottom plan view thereof.

1 Claim, 5 Drawing Sheets



U.S. PATENT DOCUMENTS

D485,249 S 1/2004 Liao et al.
 D485,818 S 1/2004 Yabe et al.
 D486,811 S 2/2004 Lheem
 D487,443 S 3/2004 Yoon
 D487,444 S 3/2004 Yoon
 D488,453 S 4/2004 Chang et al.
 D489,698 S 5/2004 Kim et al.
 D489,699 S 5/2004 Hwang et al.
 D490,065 S * 5/2004 Shimazu et al. D14/138
 D490,389 S 5/2004 Yang
 D491,906 S 6/2004 Okamatsu
 D491,907 S 6/2004 Ogawa
 D493,439 S 7/2004 Hong et al.
 D493,440 S 7/2004 Chou et al.
 D495,672 S 9/2004 Jeon et al.
 D495,674 S 9/2004 Yoo et al.
 D496,020 S 9/2004 Lee
 D496,021 S 9/2004 Jang
 D496,347 S * 9/2004 Choi et al. D14/191
 D500,016 S * 12/2004 Kim D14/138
 D500,481 S * 1/2005 Kim et al. D14/138
 D500,993 S 1/2005 Hwang
 D501,457 S * 2/2005 Lee et al. D14/138
 D501,458 S 2/2005 Kim et al.
 D501,658 S 2/2005 Park et al.
 D501,837 S 2/2005 Kim et al.
 D501,838 S 2/2005 Kim et al.
 D501,839 S * 2/2005 Lee et al. D14/138
 D502,161 S 2/2005 Kim et al.
 D503,164 S 3/2005 Park et al.
 D504,406 S 4/2005 Cho et al.
 D506,454 S 6/2005 Kim et al.
 D506,738 S 6/2005 Kim et al.
 D507,252 S 7/2005 Kim et al.
 D507,552 S * 7/2005 Liang D14/138
 D507,787 S * 7/2005 Ahn et al. D14/138
 D508,030 S * 8/2005 Jeoung et al. D14/138
 D508,034 S * 8/2005 Liao D14/138
 D508,035 S * 8/2005 Kim et al. D14/138
 D508,036 S * 8/2005 Wada D14/138
 D508,475 S * 8/2005 Wu et al. D14/138
 D508,685 S * 8/2005 Kim et al. D14/138
 D509,816 S * 9/2005 Kim et al. D14/138
 D510,079 S * 9/2005 Kim et al. D14/138
 D510,733 S * 10/2005 Lee et al. D14/138
 2001/0036845 A1 11/2001 Park
 2002/0187818 A1 12/2002 Kang
 2003/0109232 A1 6/2003 Park et al.
 2004/0009790 A1 1/2004 Im
 2004/0023684 A1 2/2004 Sato et al.
 2004/0097258 A1 5/2004 Lee et al.
 2004/0097262 A1 5/2004 Lee
 2004/0102225 A1 * 5/2004 Furuta et al. 455/566
 2004/0132513 A1 7/2004 Taneda et al.
 2004/0142718 A1 7/2004 Kim
 2004/0142734 A1 7/2004 Kim
 2005/0003852 A1 * 1/2005 Song 455/550.1
 2005/0113156 A1 * 5/2005 Park et al. 455/575.4

OTHER PUBLICATIONS

U.S. Appl. No. 29/205,546, Applicant: Chi-Young Ahn, et al., filed May 17, 2004 entitled Portable Telephone.
 U.S. Appl. No. 29/214,253, Applicant: Hye-Jeong Lee, et al., filed Sep. 27, 2004 entitled Portable Telephone.
 U.S. Appl. No. 29/216,563, Applicant: Jin-Soo Kim, et al., filed Nov. 4, 2004 entitled Portable Telephone.
 U.S. Appl. No. 29/226,417, Applicant: Jin-Soo Kim, et al., filed Mar. 29, 2005 entitled Portable Telephone.
 U.S. Appl. No. 29/226,418, Applicant: Ji-Hyun Moon, et al., filed Mar. 29, 2005 entitled Portable Telephone.
 U.S. Appl. No. 29/226,419, Applicant: Min-Ah Koh, et al., filed Mar. 29, 2005 entitled Portable Telephone.
 U.S. Appl. No. 29/226,420, Applicant: Min-Hyouk Lee, et al., filed Mar. 29, 2005 entitled Portable Telephone.
 U.S. Appl. No. 29/226,442, Applicant: Min-Hyouk Lee, et al., filed Mar. 29, 2005 entitled Portable Telephone.
 U.S. Appl. No. 29/226,443, Applicant: Jin-Soo Kim, et al., filed Mar. 29, 2005 entitled Portable Telephone.
 U.S. Appl. No. 29/226,470, Applicant: Nam-Su Kim, et al., filed Mar. 29, 2005 entitled Portable Telephone.
 U.S. Appl. No. 29/226,474, Applicant: Nam-Su Kim, et al., filed Mar. 29, 2005 entitled Portable Telephone.
 U.S. Appl. No. 29/226,460, Applicant: Nam-Su Kim, et al., filed Mar. 29, 2005 entitled Portable Telephone.
 U.S. Appl. No. 29/226,461, Applicant: Joon-Ki Yun, et al., filed Mar. 29, 2005 entitled Portable Telephone.
 U.S. Appl. No. 29/226,462, Applicant: Yu-Guen Kim, et al., filed Mar. 29, 2005 entitled Portable Telephone.
 U.S. Appl. No. 29/226,463, Applicant: Jin-Soo Kim, et al., filed Mar. 29, 2005 entitled Portable Telephone.
 U.S. Appl. No. 29/226,465, Applicant: Ki-Eon Lee, et al., filed Mar. 29, 2005 entitled Portable Telephone.
 U.S. Appl. No. 29/226,464, Applicant: Joon-Ki Yun, et al., filed Mar. 29, 2005 entitled Portable Telephone.
 U.S. Appl. No. 29/226,454, Applicant: Woo-Seung Han, et al., filed Mar. 29, 2005 entitled Portable Telephone.
 U.S. Appl. No. 29/226,982, Applicant: Yu-Guen Kim, et al., filed Apr. 5, 2005 entitled Portable Telephone.
 U.S. Appl. No. 29/226,990, Applicant: Yu-Guen Kim, et al., filed Apr. 5, 2005 entitled Portable Telephone.
 U.S. Appl. No. 29/227,339, Applicant: Joon-Suh Kim, et al., filed Apr. 7, 2005 entitled Portable Telephone.
 U.S. Appl. No. 29/227,338, Applicant: Joon-Suh Kim, et al., filed Apr. 7, 2005 entitled Portable Telephone.
 U.S. Appl. No. 29/227,258, Applicant: Min-Ah Koh, et al., filed Apr. 8, 2005 entitled Portable Telephone.
 U.S. Appl. No. 29/219,068, Applicant: Dae-Yoeb Park, et al., filed Dec. 10, 2004 entitled Portable Telephone.
 U.S. Appl. No. 29/224,584, Applicant: Ha-Youl-Jung, et al., filed Mar. 3, 2005 entitled Portable Telephone.

* cited by examiner

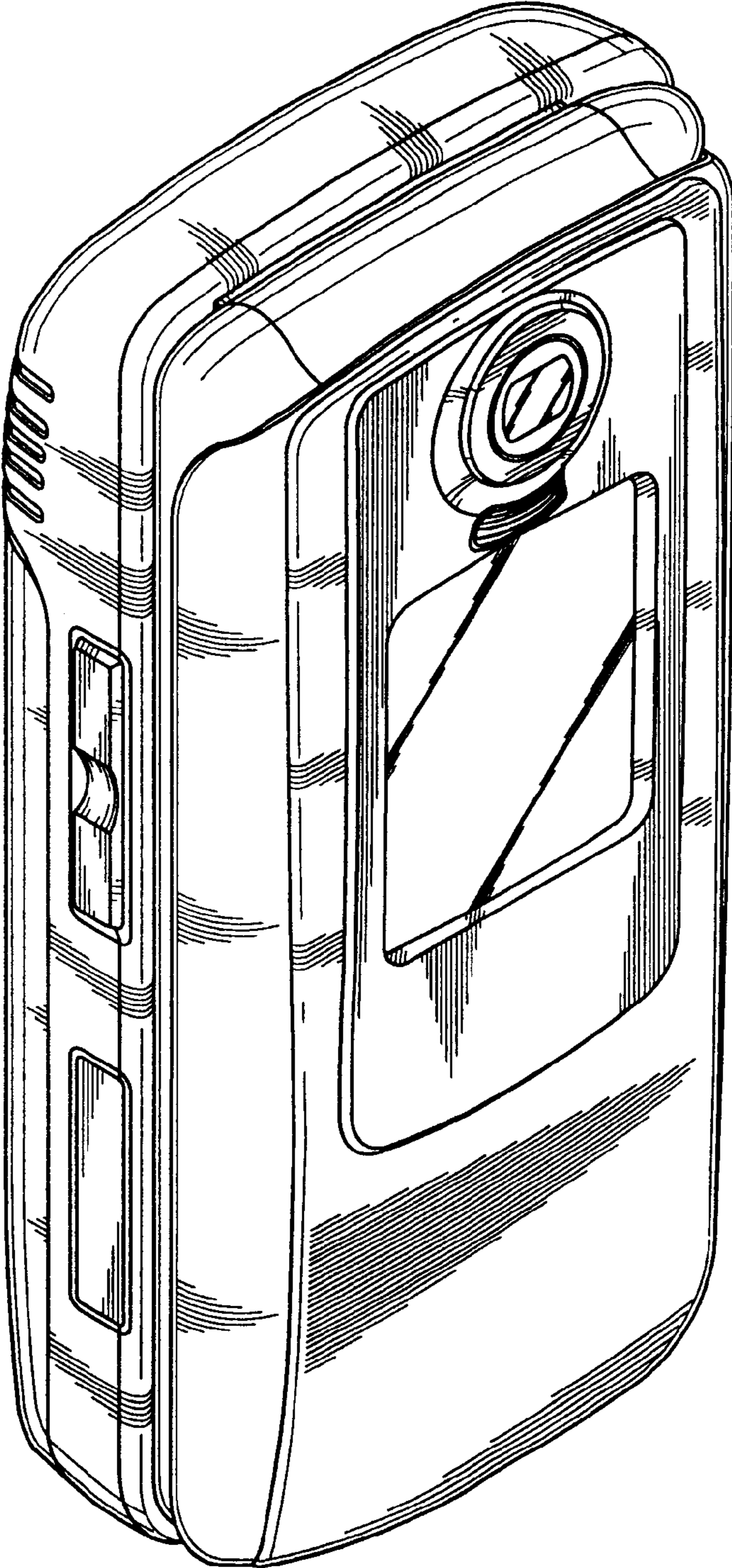


FIG. 1

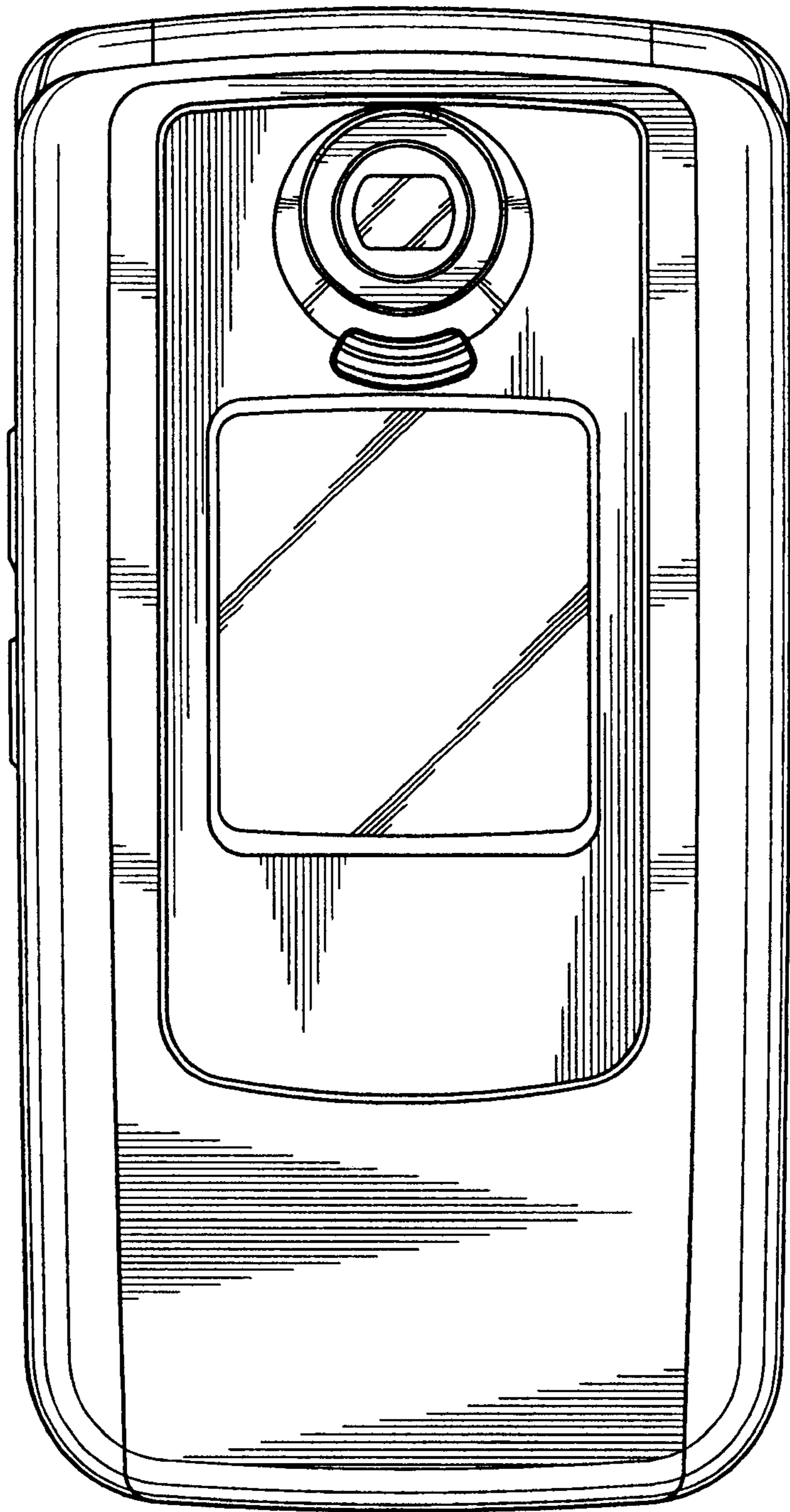


FIG. 2

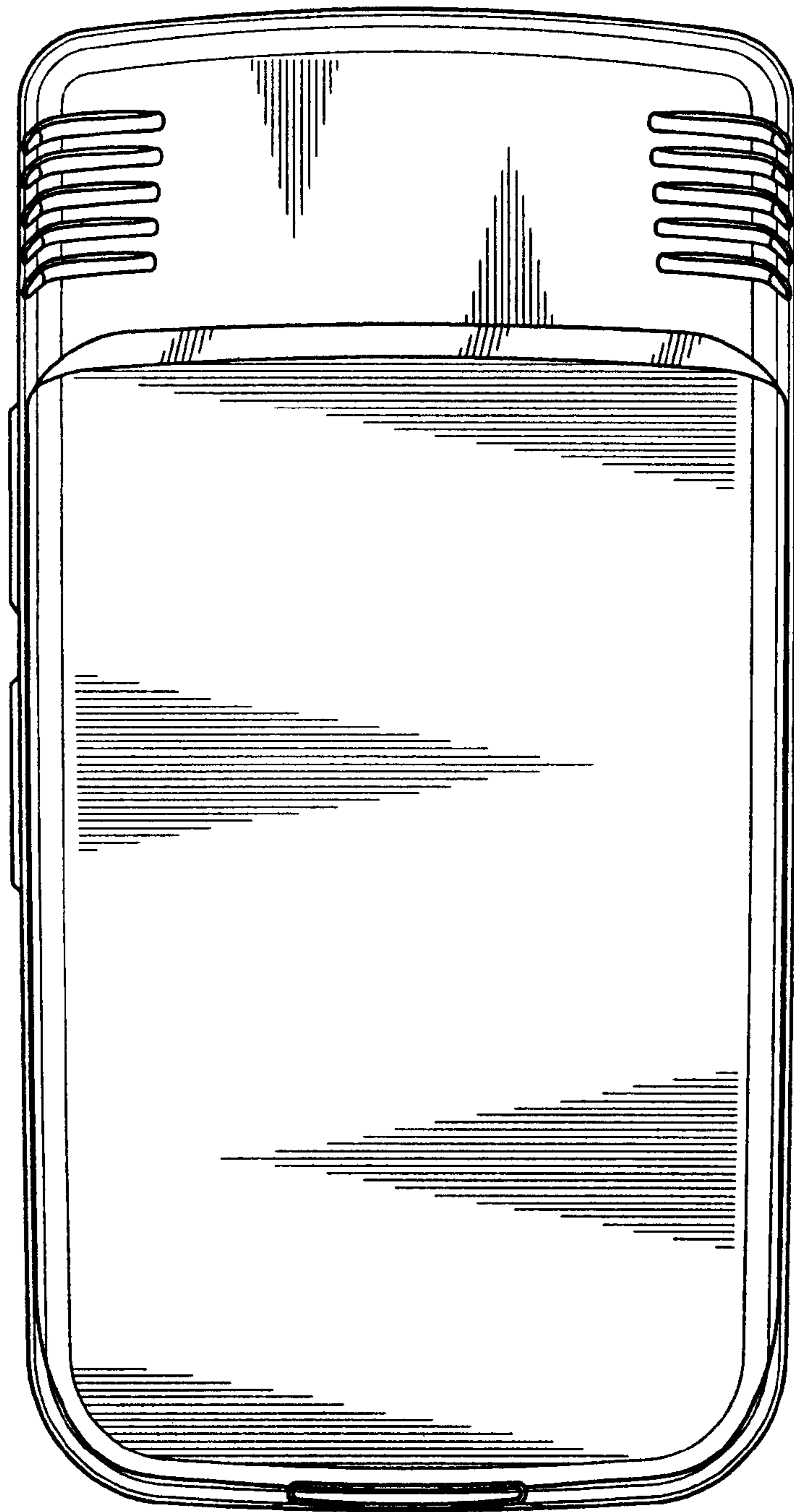


FIG. 3

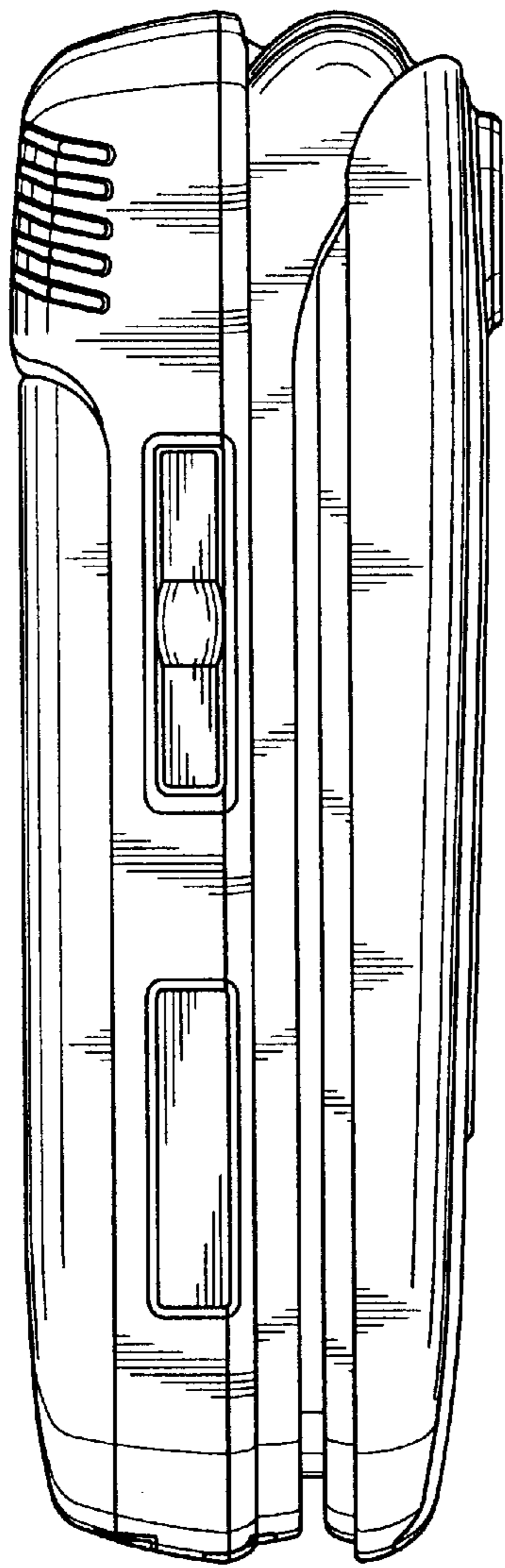


FIG. 4

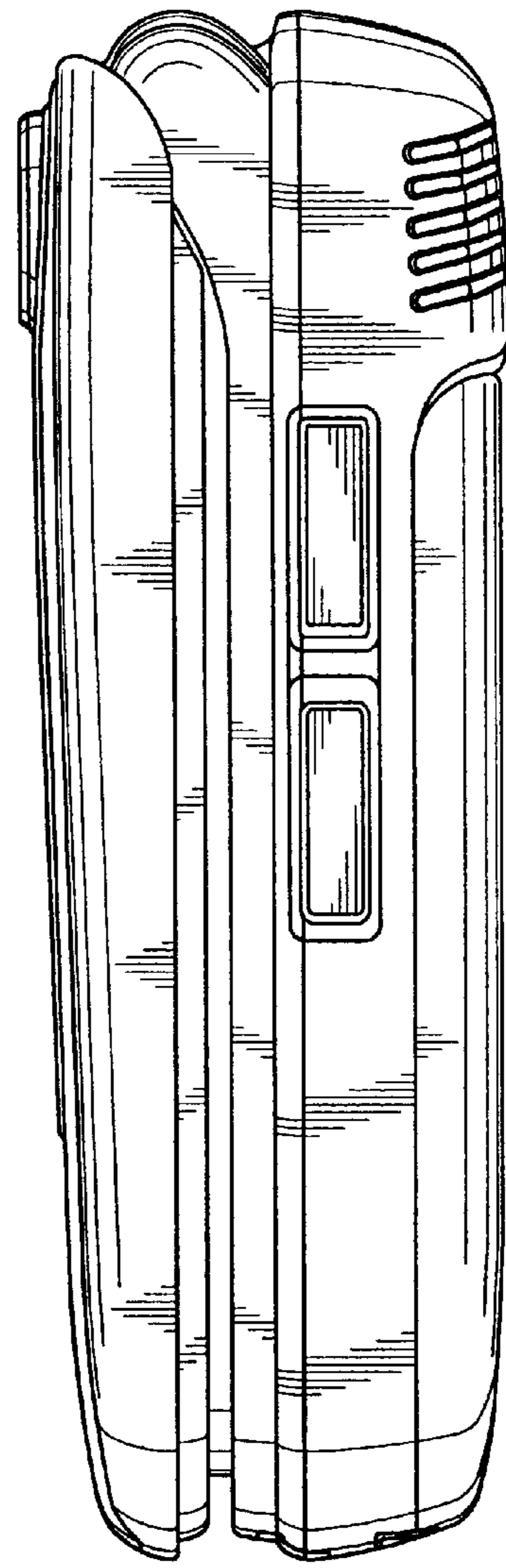


FIG. 5

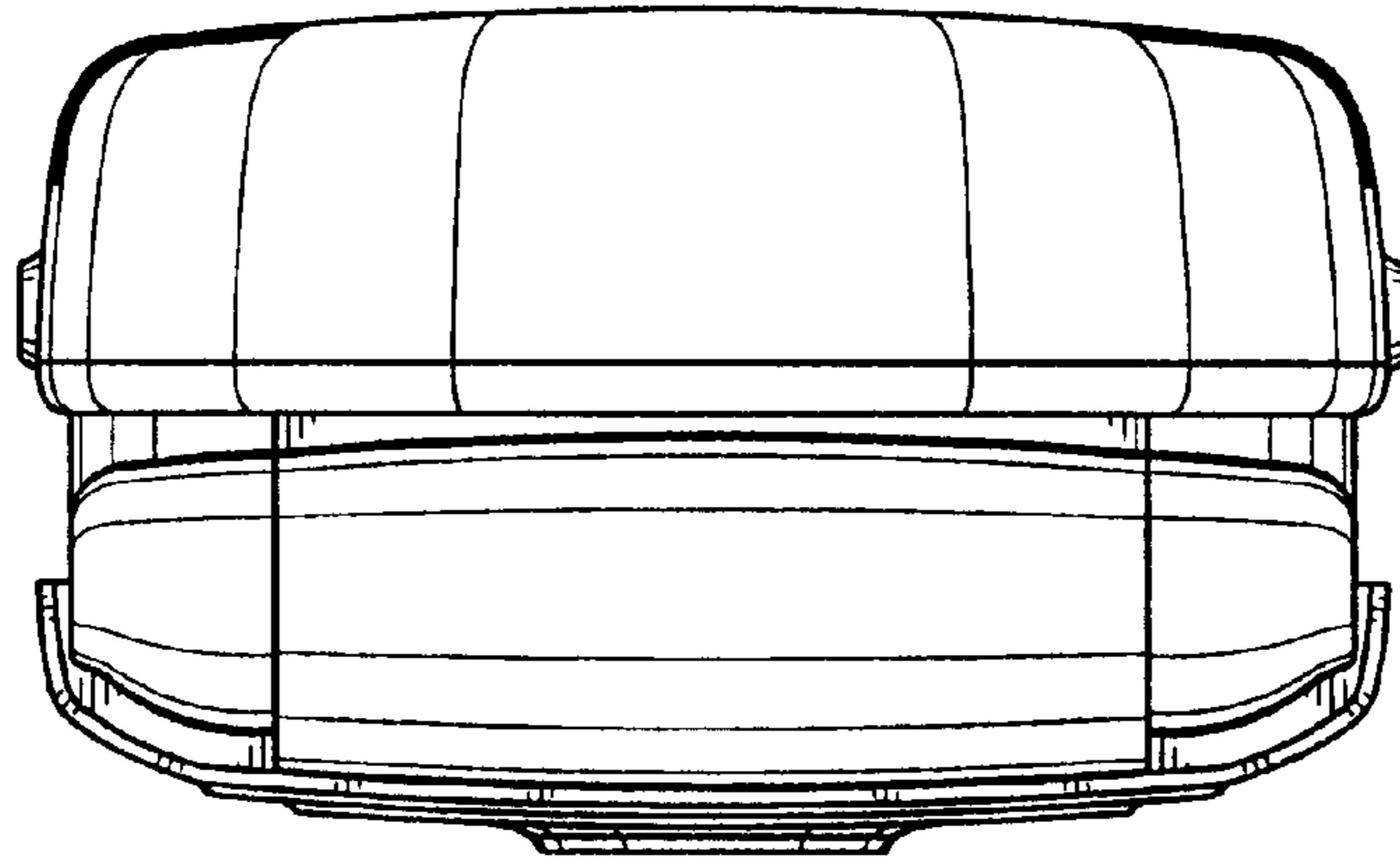


FIG. 6

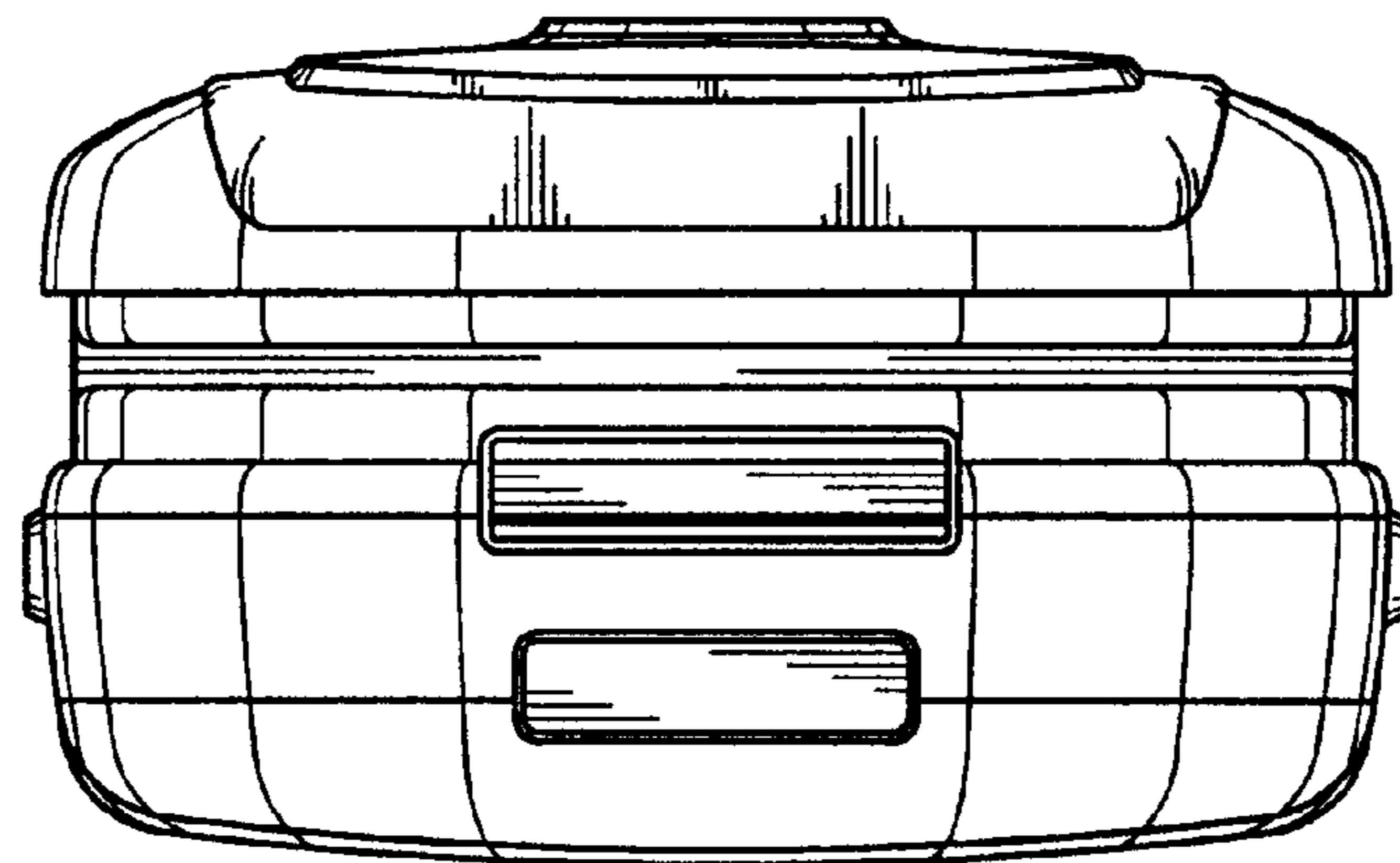


FIG. 7