



US00D521967S

(12) **United States Design Patent**
Lim

(10) **Patent No.:** **US D521,967 S**

(45) **Date of Patent:** **** May 30, 2006**

(54) **DVD RECORDER**

(75) Inventor: **Hyun-Teak Lim**, Seoul (KR)

(73) Assignee: **Samsung Electronics Co., Ltd.**,
Kyunggi-do (KR)

(**) Term: **14 Years**

(21) Appl. No.: **29/228,020**

(22) Filed: **Apr. 19, 2005**

(51) **LOC (8) Cl.** **14-01**

(52) **U.S. Cl.** **D14/136**

(58) **Field of Classification Search** D14/135-136,
D14/156-157, 160-165, 167-168, 192-198,
D14/188, 217, 257, 258, 445; 360/99.02,
360/99.07; 369/75.11, 75.21, 77.21, 77.11;
720/612, 619, 647, 655; 455/344, 347-351
See application file for complete search history.

(56) **References Cited**

U.S. PATENT DOCUMENTS

D291,689 S * 9/1987 Nishiyama et al. D14/156

(Continued)

OTHER PUBLICATIONS

U.S. Appl. No. 29/217,942, Applicant: Young-Sam Kwon,
et al., filed Nov. 23, 2004 entitled Complex Image Player.

U.S. Appl. No. 29/217,943, Applicant: Bong-Chan Ko, et
al., filed Nov. 23, 2004 entitled Complex Image Player.

U.S. Appl. No. 29/217,940, Applicant: Young-Sam Kwon,
et al., filed Nov. 23, 2004 entitled Complex Image Player.

U.S. Appl. No. 29/217,946, Applicant: Young-Sam Kwon,
et al., filed Nov. 23, 2004 entitled DVD Player.

U.S. Appl. No. 29/217,945, Applicant: Young-Sam Kwon,
et al., filed Nov. 23, 2004 entitled Double-Deck DVD
Recorder.

U.S. Appl. No. 29/217,947, Applicant: Young-Sam Kwon,
et al., filed Nov. 23, 2004 entitled Complex Image Player.

U.S. Appl. No. 29/226,437, Applicant: Min-Geun Kim, et
al., filed Mar. 29, 2005 entitled Digital Video Recorder.

U.S. Appl. No. 29/228,009, Applicant: Han Kim, et al., filed
Apr. 19, 2005 entitled Complex Image Player.

U.S. Appl. No. 29/228,003, Applicant: Hyun-Teak Lim, et
al., filed Apr. 19, 2005 entitled DVD Recorder.

U.S. Appl. No. 29/228,001, Applicant: Hyun-Teak Lim,
filed Apr. 19, 2005 entitled DVD Recorder.

U.S. Appl. No. 29/228,005, Applicant: Han Kim, et al., filed
Apr. 19, 2005 entitled Complex Image Player.

U.S. Appl. No. 29/228,023, Applicant: Han Kim, et al., filed
Apr. 19, 2005 entitled Blu-Ray Player.

U.S. Appl. No. 29/228,006, Applicant: Han Kim, et al., filed
Apr. 19, 2005 entitled Complex Image Player.

U.S. Appl. No. 29/228,036, Applicant: Young-Sam Kwon,
et al., filed Apr. 19, 2005 entitled Complex Image Player.

U.S. Appl. No. 29/227,995, Applicant: Hyun-Teak Lim, et
al., filed Apr. 19, 2005 entitled DVD Player.

U.S. Appl. No. 29/228,002, Applicant: Hyun-Teak Lim,
filed Apr. 19, 2005 entitled Blu-Ray Player.

U.S. Appl. No. 29/228,008, Applicant: Young-Sam Kwon,
et al., filed Apr. 19, 2005 entitled Complex Image Player.

U.S. Appl. No. 29/228,033, Applicant: Young-Sam Kwon,
et al., filed Apr. 19, 2005 entitled Complex Image Player.

U.S. Appl. No. 29/228,011, Applicant: Young-Sam Kwon,
et al., filed Apr. 19, 2005 entitled Complex Image Player.

U.S. Appl. No. 29/228,000, Applicant: Young-Sam Kwon,
et al., filed Apr. 19, 2005 entitled DVD Player.

Primary Examiner—Nanda Bondade

(74) *Attorney, Agent, or Firm*—Fynn, Thiel, Boutell &
Tanis, P.C.

(57) **CLAIM**

The ornamental design for a DVD recorder, as shown and
described.

DESCRIPTION

FIG. 1. is a top front perspective view of a DVD recorder
showing my new design.

FIG. 2. is a front elevational view thereof.

FIG. 3. is a rear elevational view thereof.

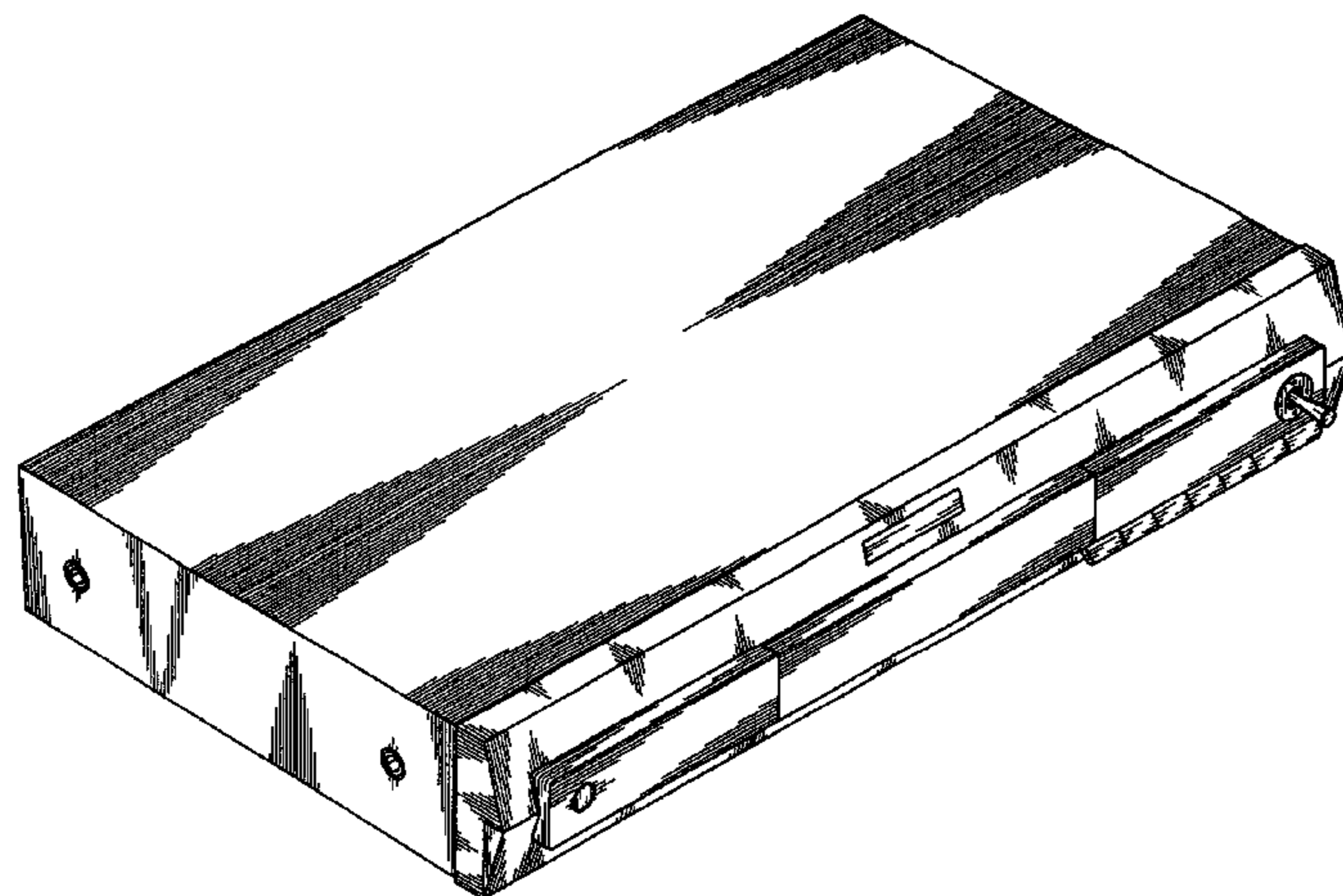
FIG. 4. is a left side elevational view thereof.

FIG. 5. is a right side elevational view thereof.

FIG. 6. is a top plan view thereof; and,

FIG. 7. is a bottom plan view thereof.

1 Claim, 4 Drawing Sheets



US D521,967 S

Page 2

| U.S. PATENT DOCUMENTS | | | |
|-----------------------|---|-----------------------------|---------------------|
| 4,758,910 A | * | 7/1988 Kaneko et al. | 360/137 |
| D297,932 S | * | 10/1988 Ito et al. | D14/135 |
| D314,960 S | * | 2/1991 Yang | D14/135 |
| D344,703 S | * | 3/1994 Katayama et al. | D14/135 |
| D385,275 S | * | 10/1997 Ito et al. | D14/156 |
| 5,852,594 A | * | 12/1998 Kaise et al. | 720/647 |
| | | | * cited by examiner |

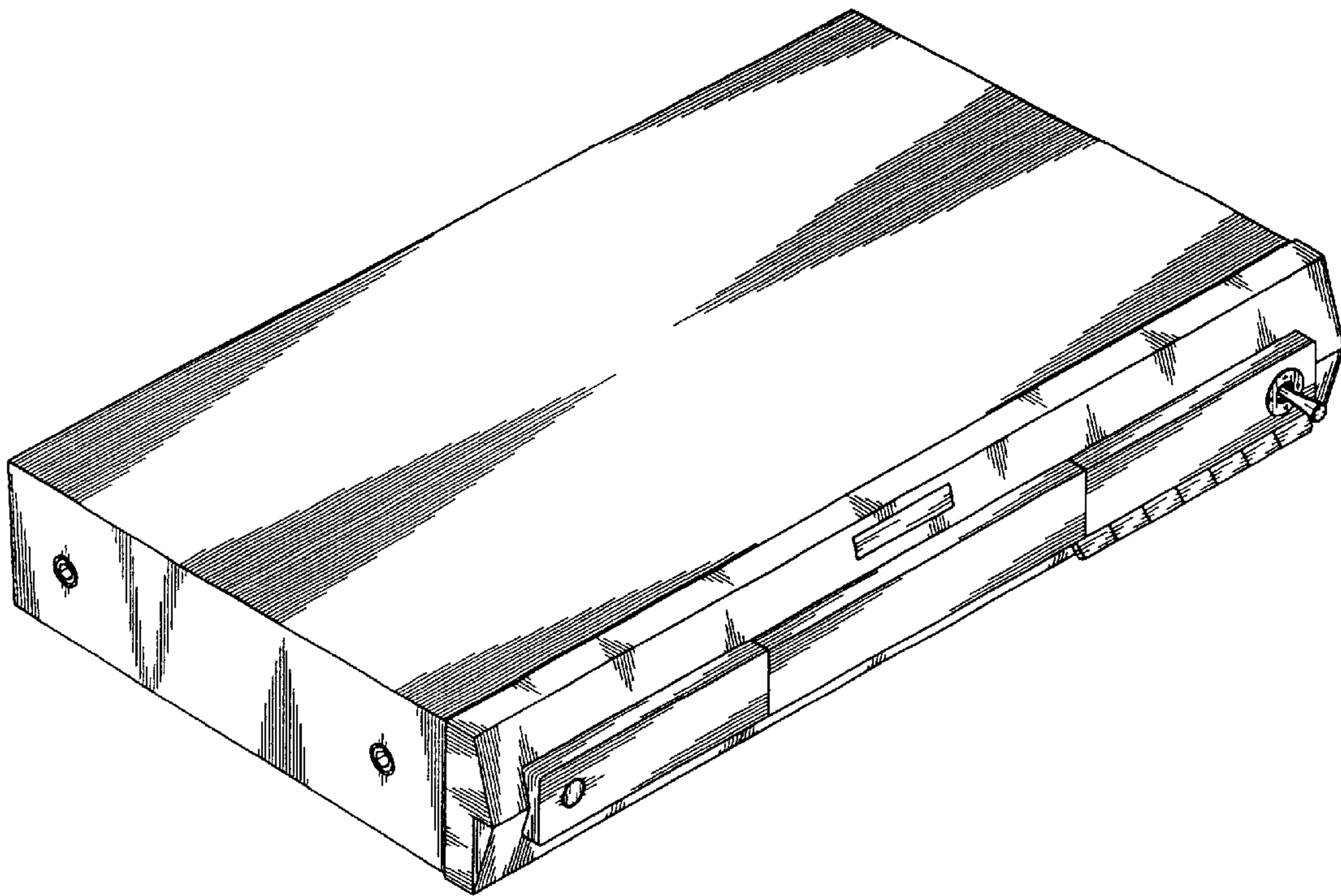


FIG. 1

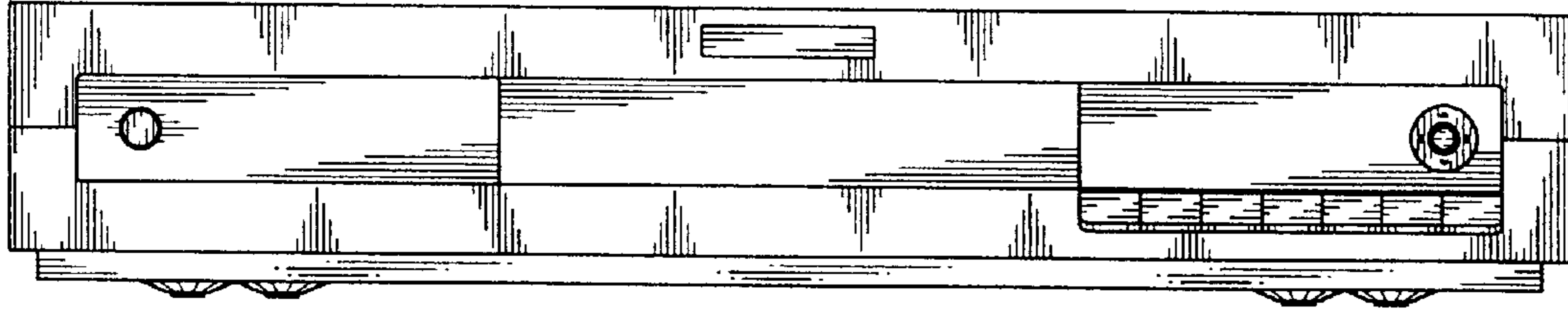


FIG. 2

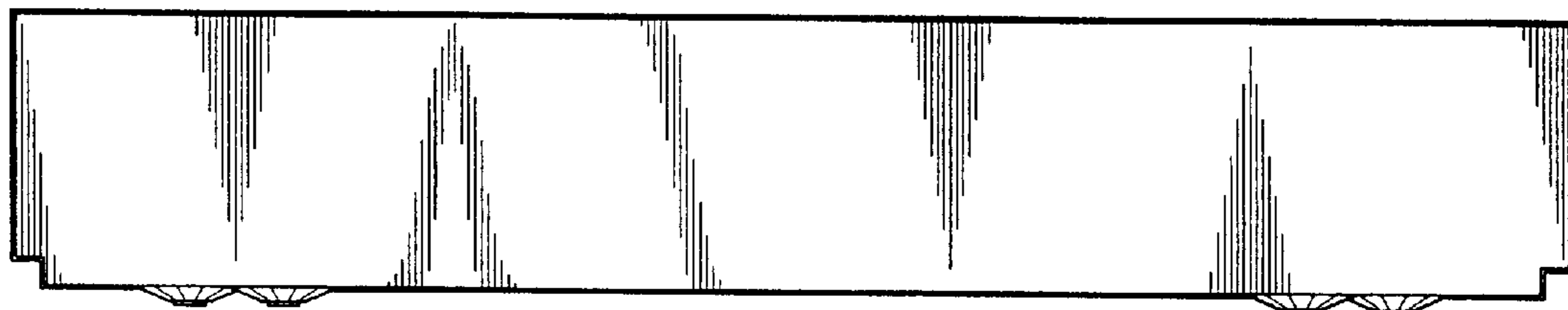


FIG. 3

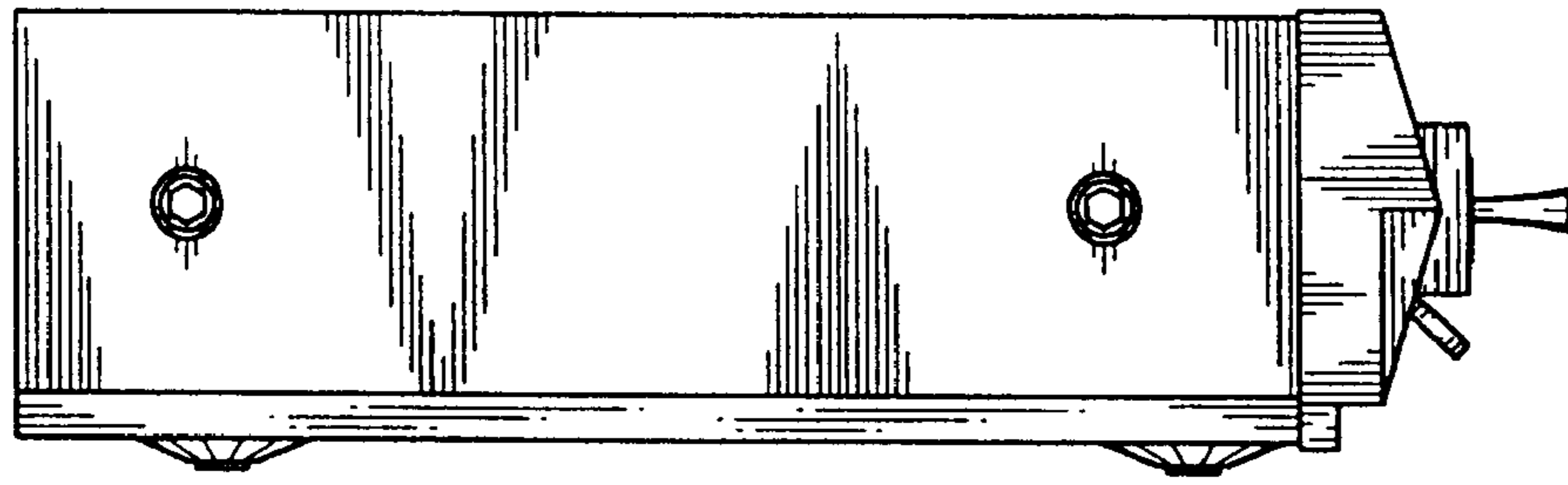


FIG. 4

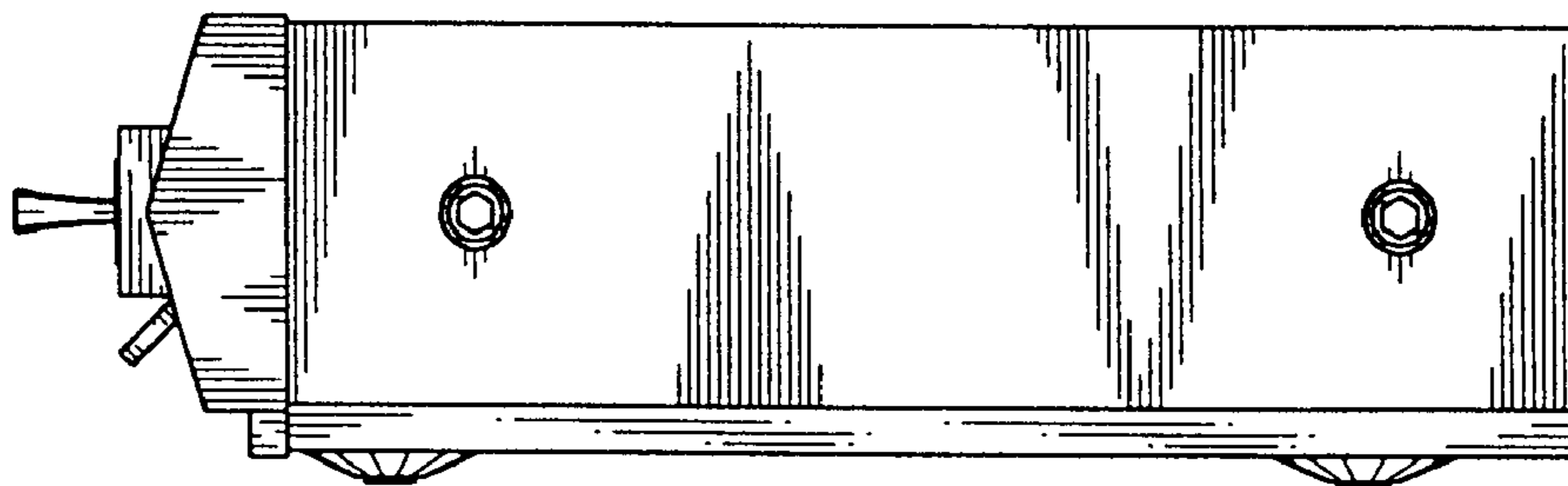


FIG. 5

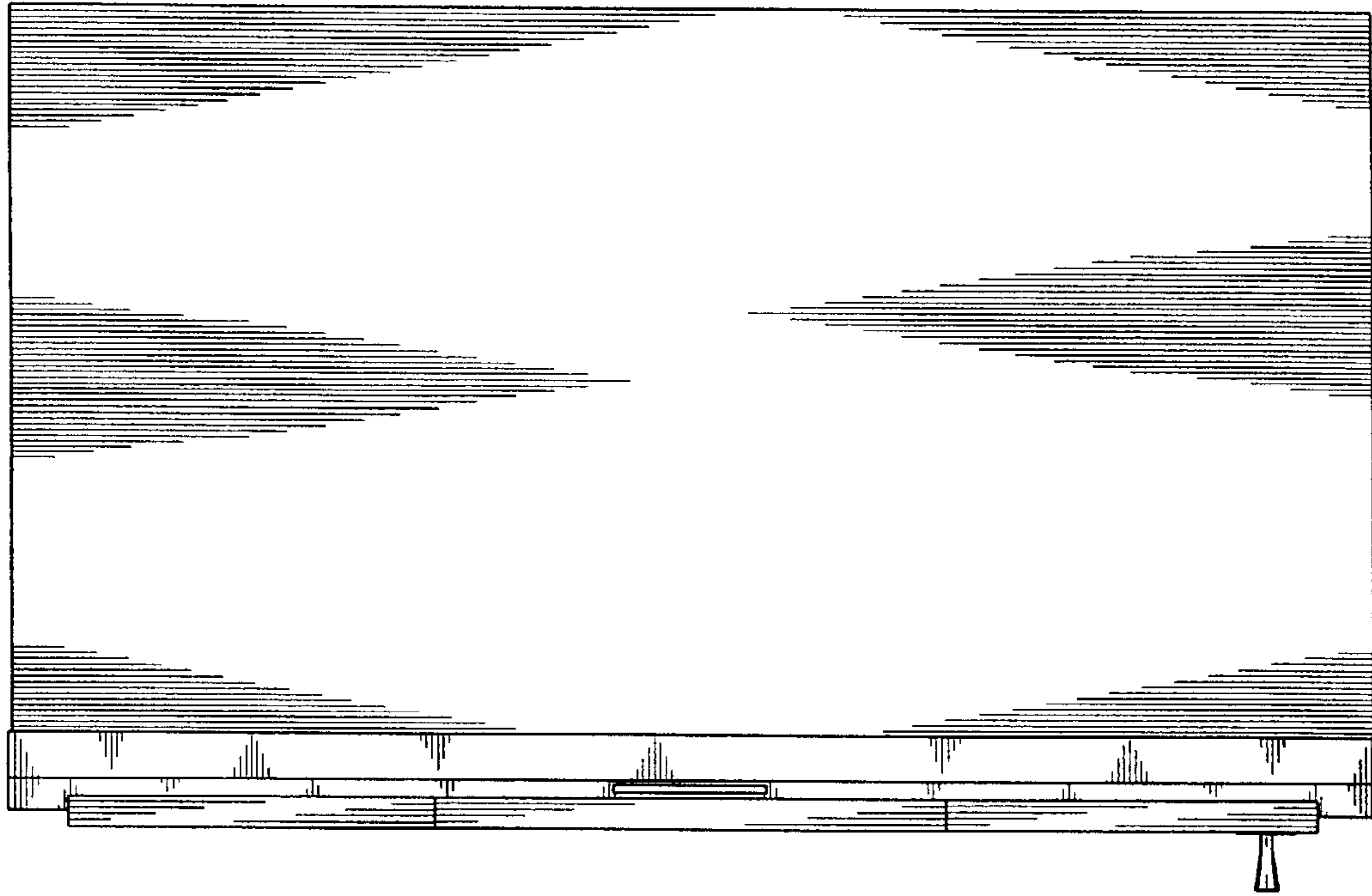


FIG. 6

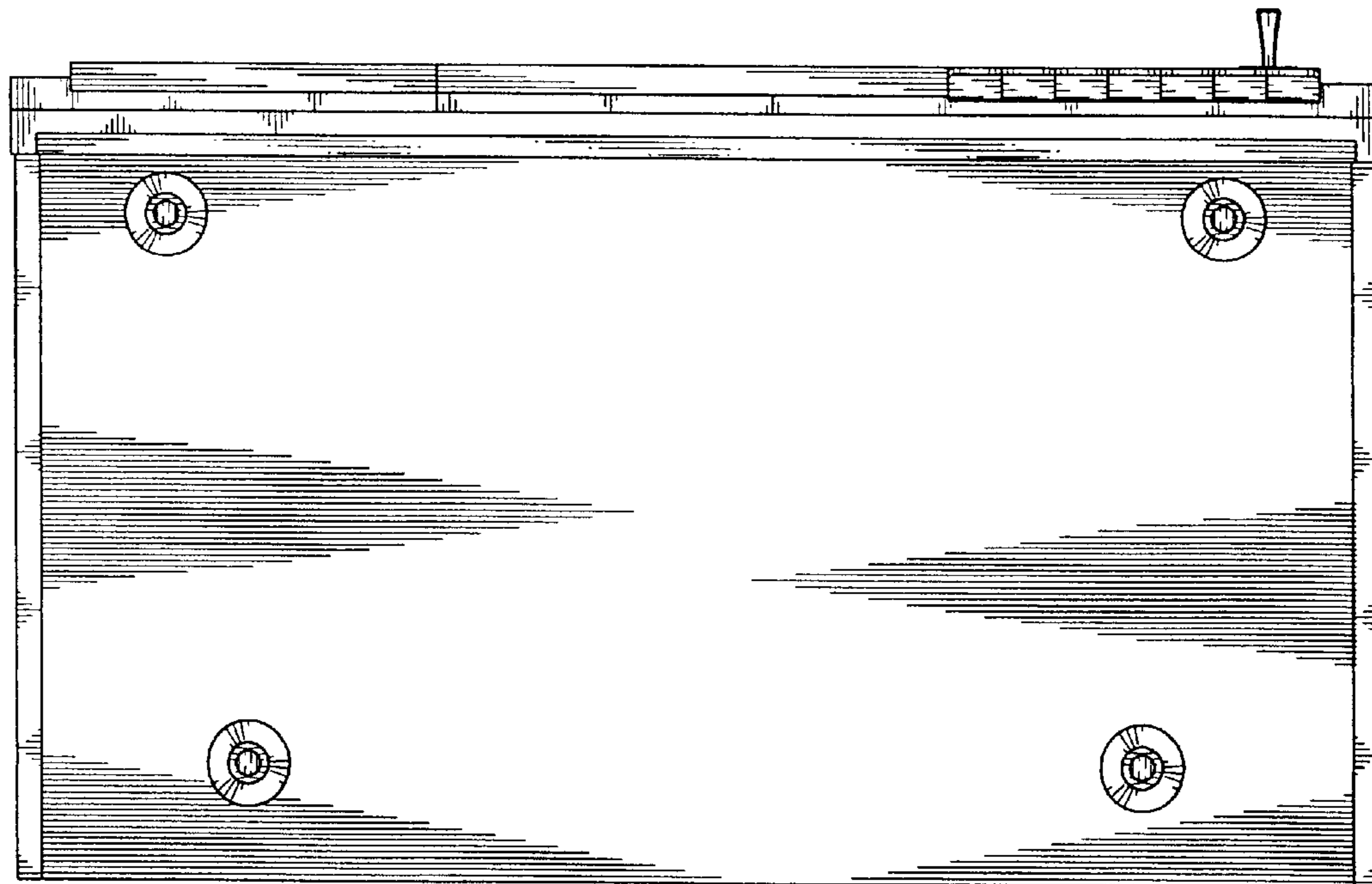


FIG. 7