



US00D521962S

(12) **United States Design Patent**
Voege et al.

(10) **Patent No.:** **US D521,962 S**
(45) **Date of Patent:** **** May 30, 2006**

(54) **TELEVISION SET**

(75) Inventors: **Michael Voege**, Sunnvale, CA (US);
Timothy Roberts, Sunnyvale, CA (US)

(73) Assignee: **Hannspree, Inc.**, Taipei (TW)

(**) Term: **14 Years**

(21) Appl. No.: **29/230,655**

(22) Filed: **May 25, 2005**

(30) **Foreign Application Priority Data**

Dec. 15, 2004 (TW) 93307723

(51) **LOC (8) Cl.** **14-03**

(52) **U.S. Cl.** **D14/126**

(58) **Field of Classification Search** D14/125-134,
D14/239, 371, 136, 374-377; 312/4.2; 348/836,
348/838, 180, 184, 325, 739; 341/12; 248/917-924,
248/465; 345/104, 133, 156, 168, 87, 173;
720/605, 669, 600, 655; 369/99, 197; 455/344-347
See application file for complete search history.

(56) **References Cited**

U.S. PATENT DOCUMENTS

D323,324 S * 1/1992 Suda D14/125

D444,712 S	*	7/2001	Versace	D10/26
D458,910 S	*	6/2002	Kita	D14/126
D470,141 S	*	2/2003	Lin	D14/376
D471,550 S	*	3/2003	Lin	D14/375
D481,038 S	*	10/2003	Borsboom et al.	D14/375
D482,035 S	*	11/2003	Olson et al.	D14/375
D484,130 S	*	12/2003	Olson et al.	D14/375
D484,131 S	*	12/2003	Olson et al.	D14/375

* cited by examiner

Primary Examiner—Raphael Barkai

(74) *Attorney, Agent, or Firm*—Bacon & Thomas, PLLC

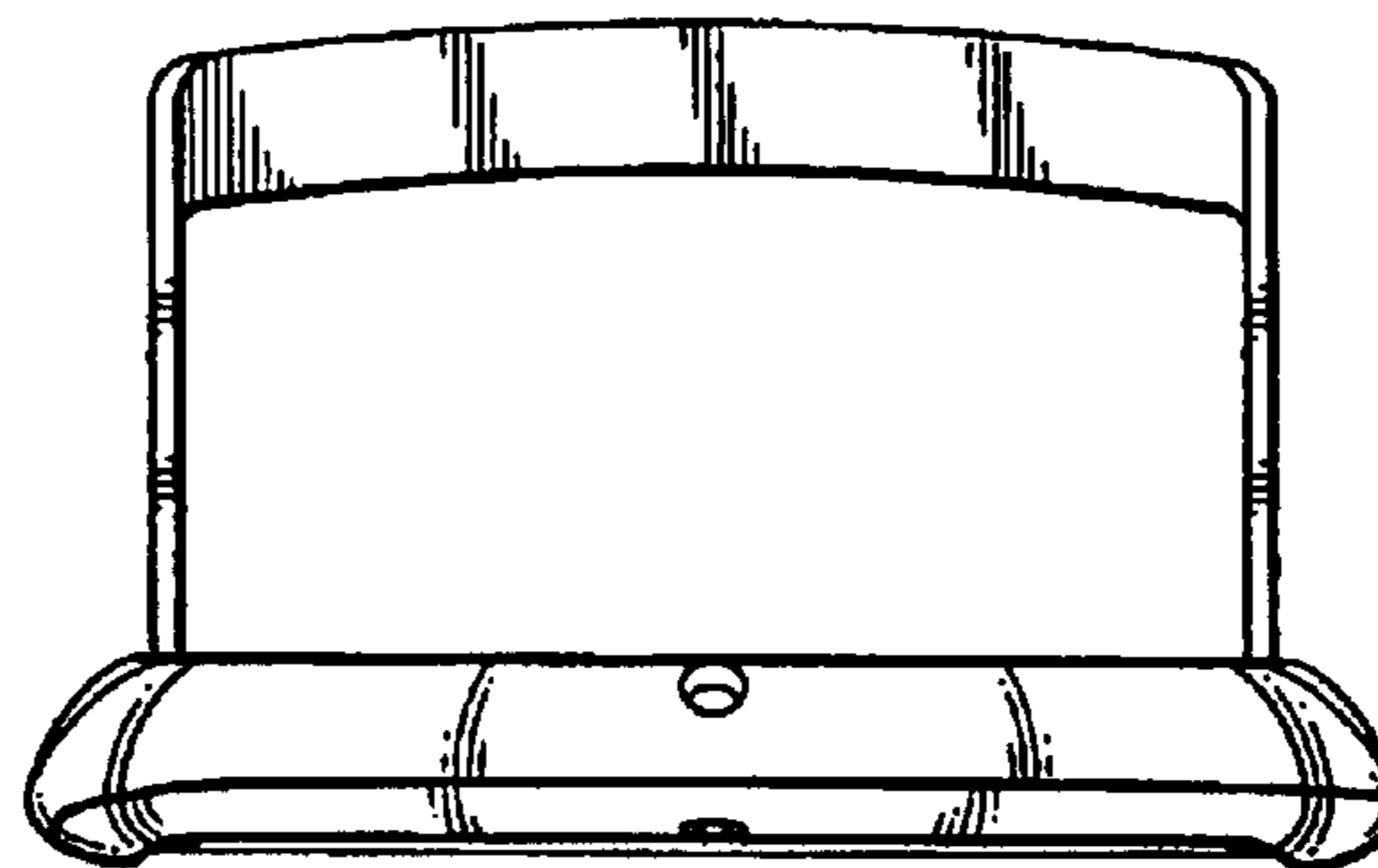
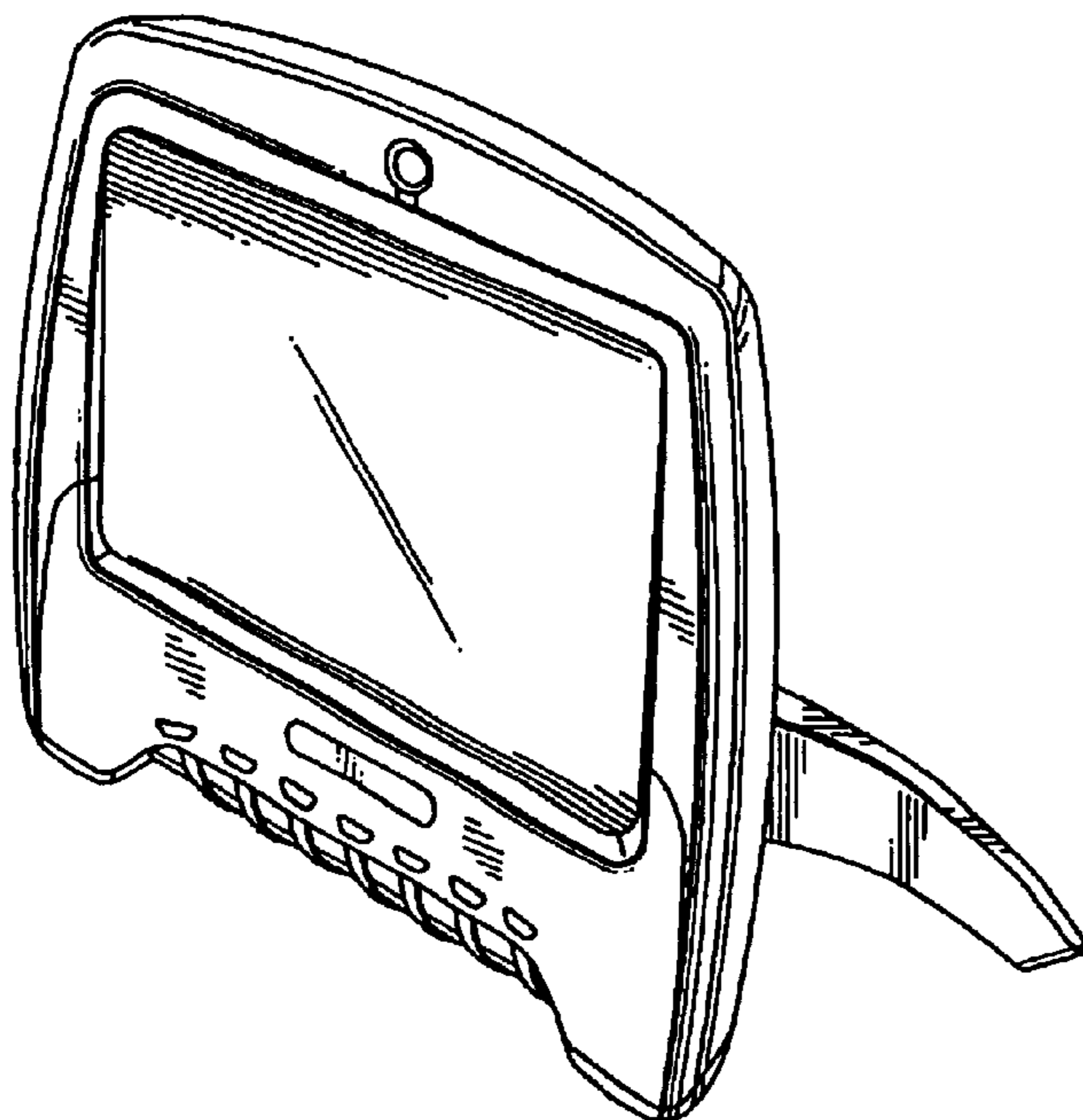
(57) **CLAIM**

The ornamental design for the television set , as shown and described.

DESCRIPTION

FIG. 1 is a perspective view of a television set showing our new design;
FIG. 2 is a front view thereof;
FIG. 3 is a rear view thereof;
FIG. 4 is a left side view thereof;
FIG. 5 is a right side view thereof;
FIG. 6 is a top plan view thereof; and,
FIG. 7 is a bottom plan view thereof.

1 Claim, 3 Drawing Sheets



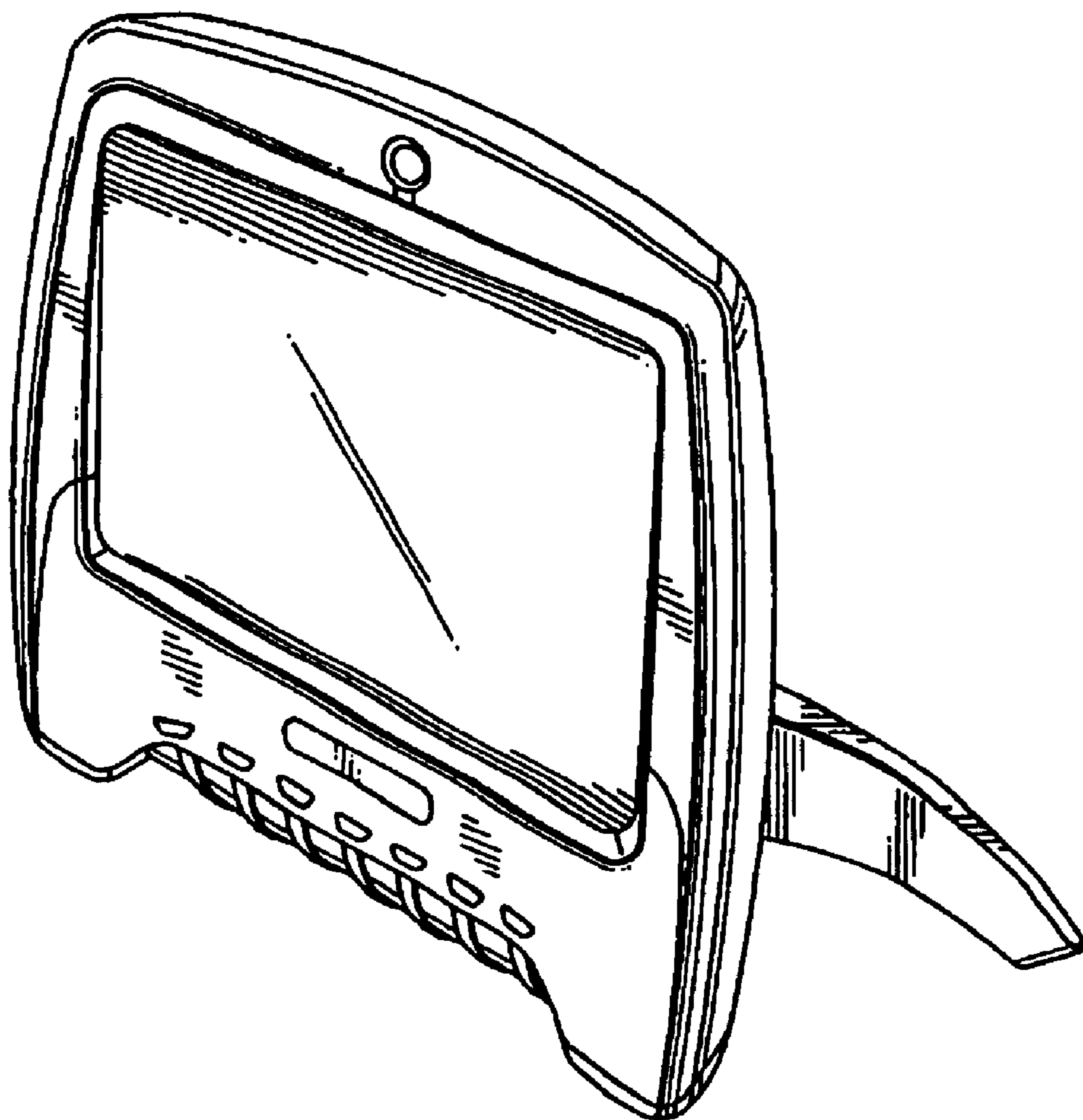


FIG. 1

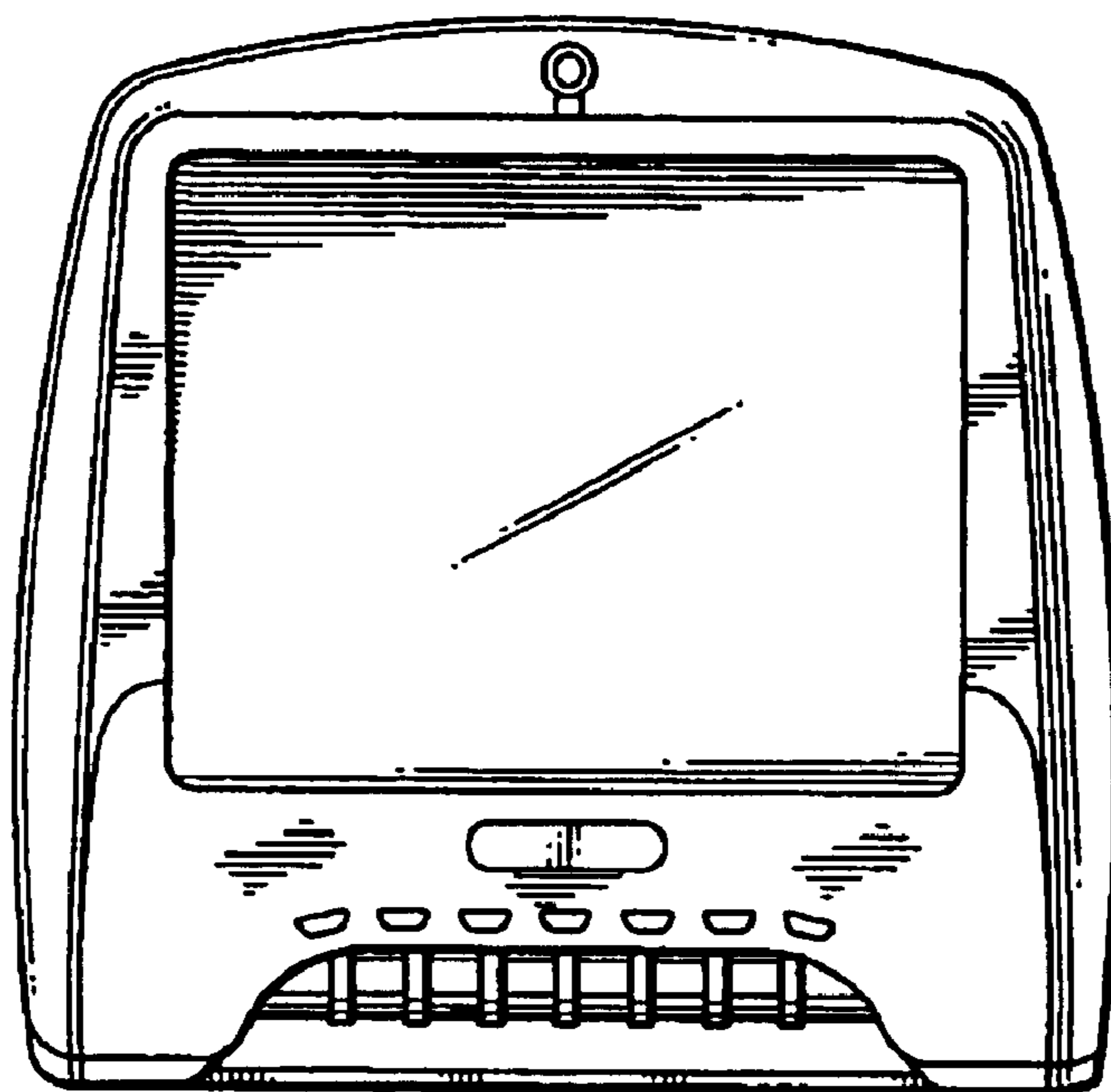


FIG. 2

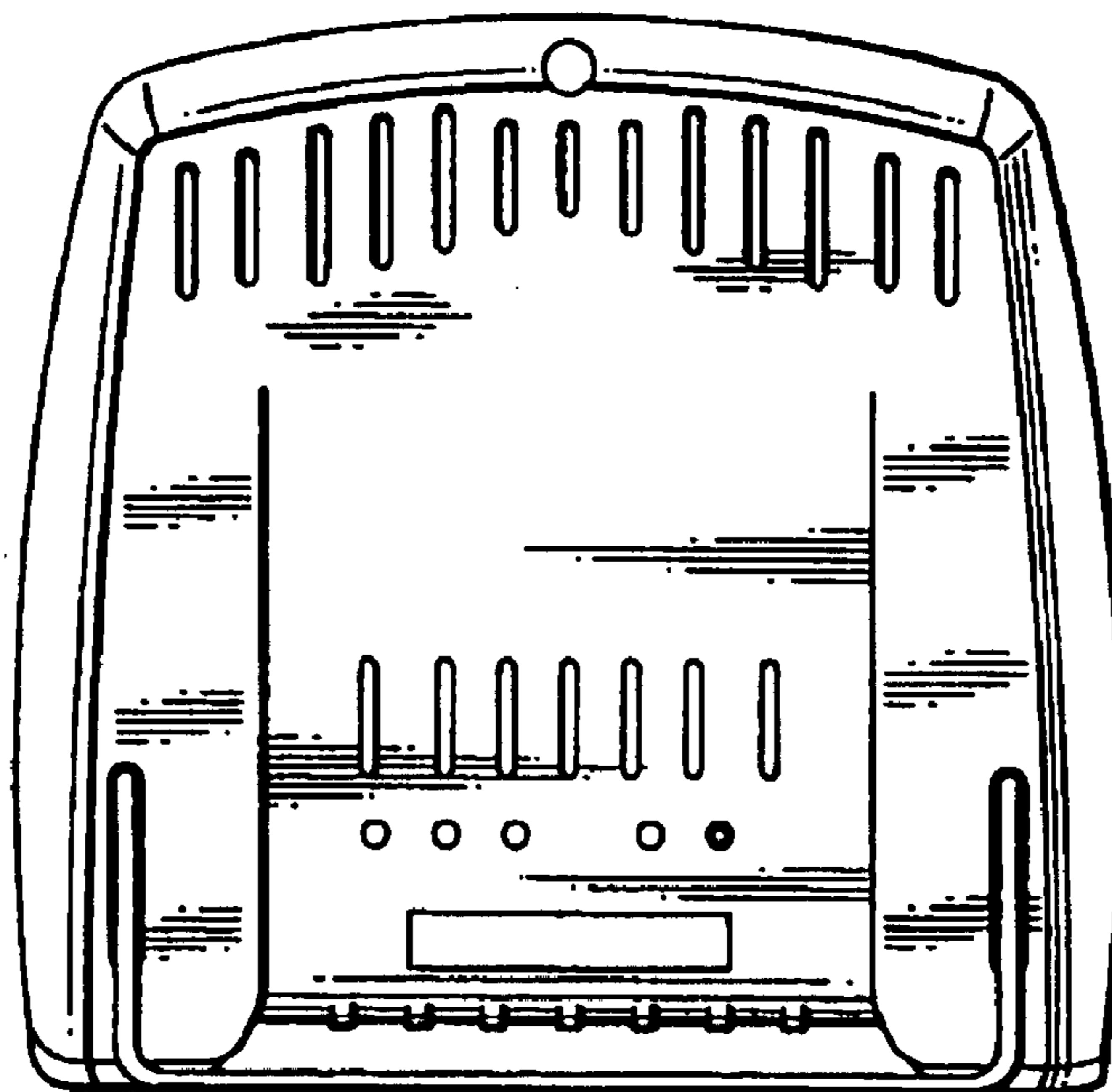


FIG. 3

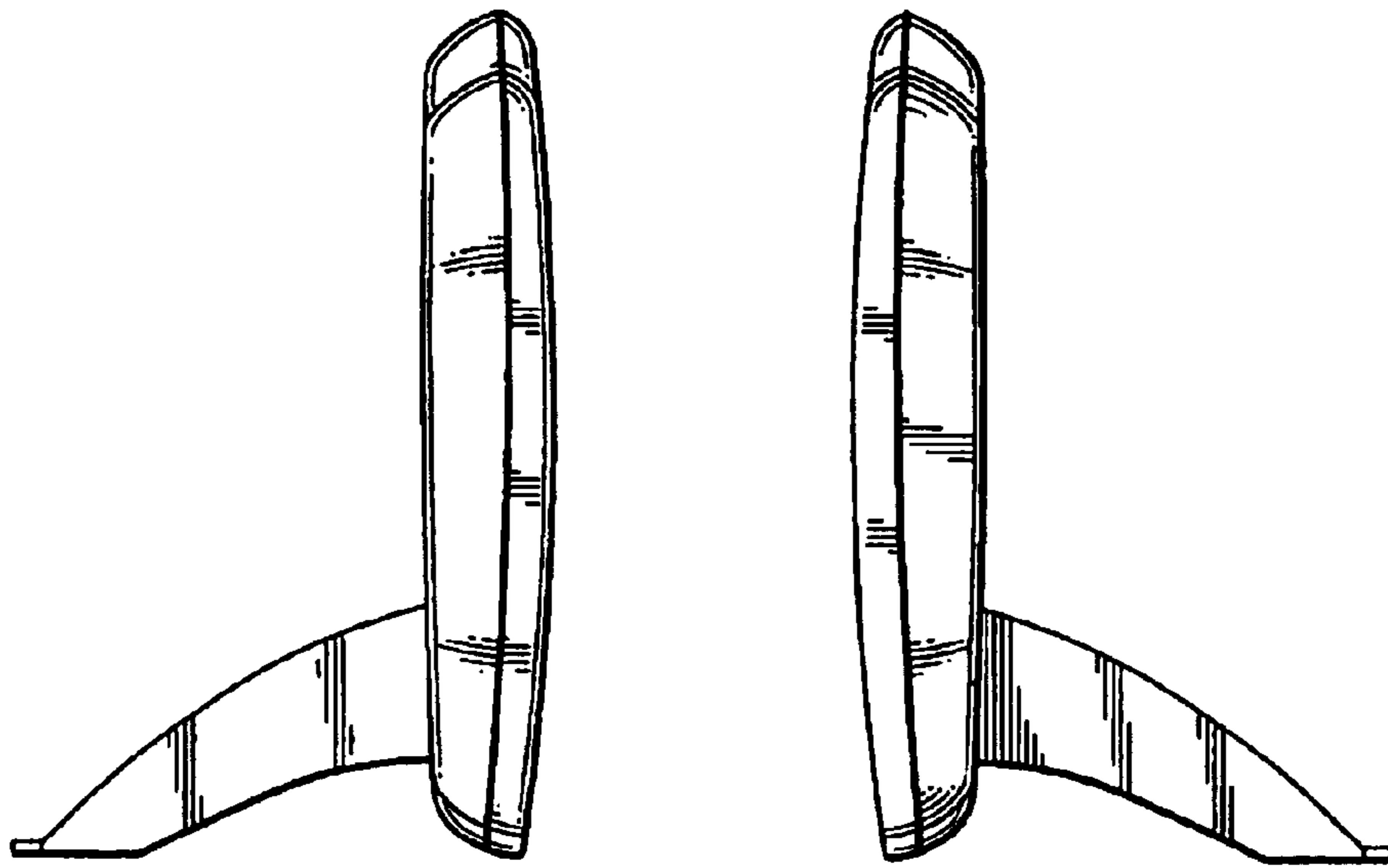


FIG. 4

FIG. 5

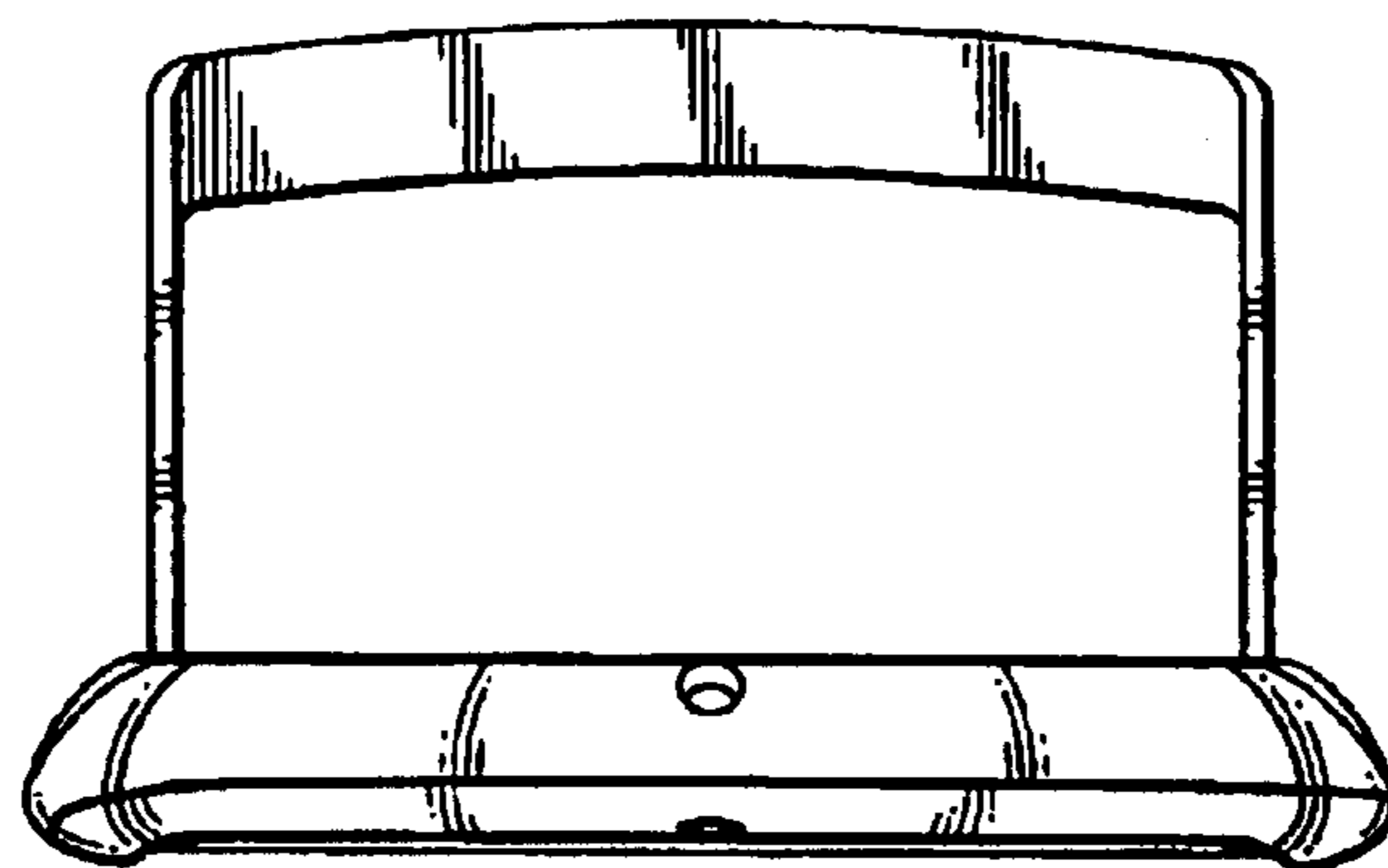


FIG. 6

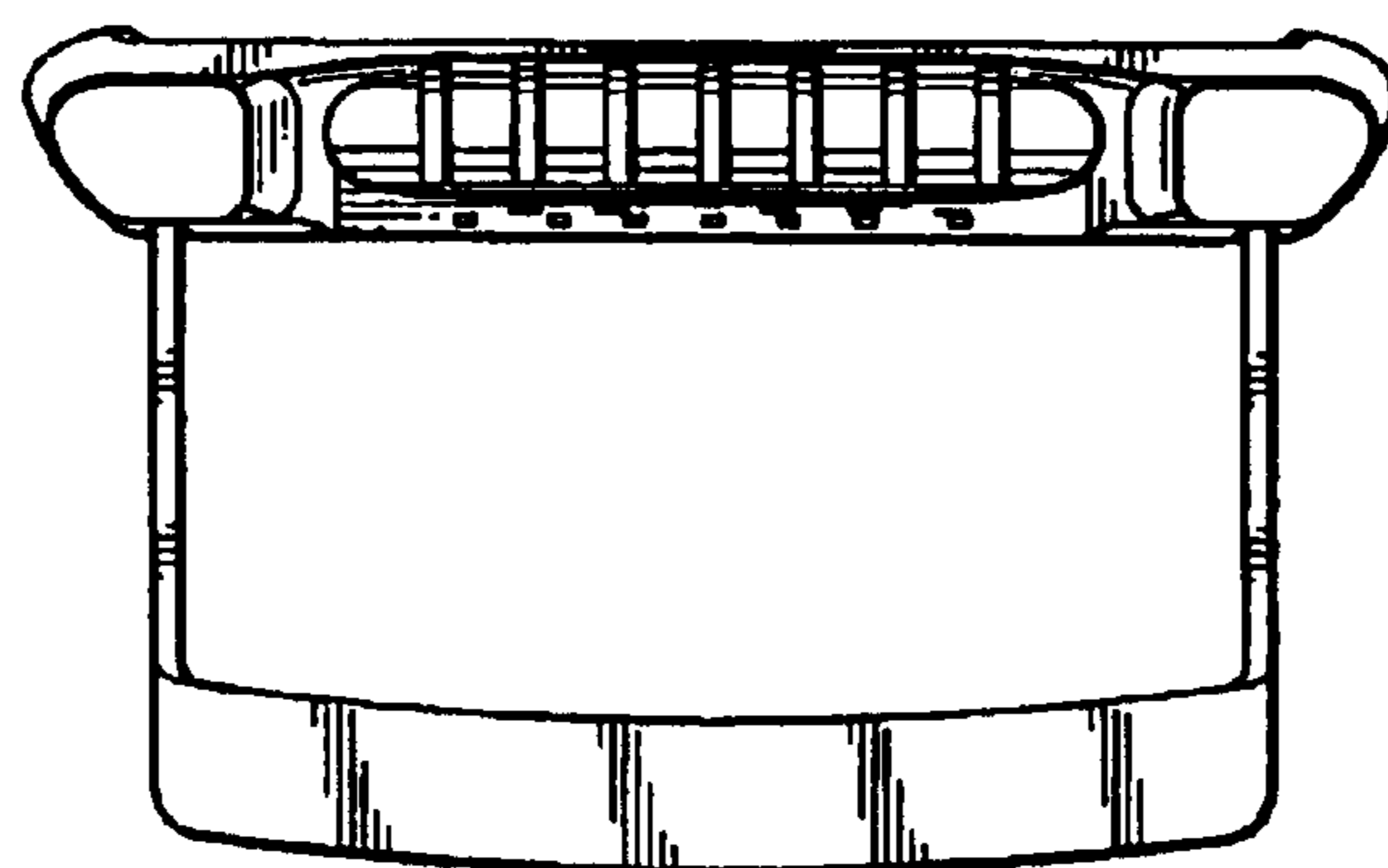


FIG. 7