



US00D521959S

(12) **United States Design Patent**
Backs

(10) **Patent No.:** **US D521,959 S**

(45) **Date of Patent:** **** May 30, 2006**

(54) **TELEVISION SET**

(75) Inventor: **Jochen Backs**, San Francisco, CA (US)

(73) Assignee: **Hannspree, Inc.**, Taipei (TW)

(**) Term: **14 Years**

(21) Appl. No.: **29/230,232**

(22) Filed: **May 19, 2005**

(30) **Foreign Application Priority Data**

Dec. 21, 2004 (TW) 93307953

(51) **LOC (8) Cl.** **14-03**

(52) **U.S. Cl.** **D14/126; D14/129**

(58) **Field of Classification Search** D14/125-134,
D14/239, 371, 136, 374-377; 312/7.2; 348/836,
348/838, 180, 184, 325, 739; 341/12; 248/917-924,
248/465; 345/104, 133, 156, 168, 87, 173;
720/605, 669, 600, 655; 369/99, 197; 455/344-347
See application file for complete search history.

(56) **References Cited**

U.S. PATENT DOCUMENTS

D324,040 S * 2/1992 Saito et al. D14/126
5,100,098 A * 3/1992 Hawkins 248/291.1

D355,170 S * 2/1995 Mizusugi et al. D14/336
D403,670 S * 1/1999 Liao D14/375
D415,147 S * 10/1999 Adachi D14/126
D474,163 S * 5/2003 Araki D14/126
D481,728 S * 11/2003 Olson et al. D14/375
D482,339 S * 11/2003 Yin et al. D14/134
6,772,422 B1 * 8/2004 Yano et al. 720/600
D503,160 S * 3/2005 Peng D14/129

* cited by examiner

Primary Examiner—Raphael Barkai

(74) *Attorney, Agent, or Firm*—Dennison, Schultz,
Dougherty & MacDonald

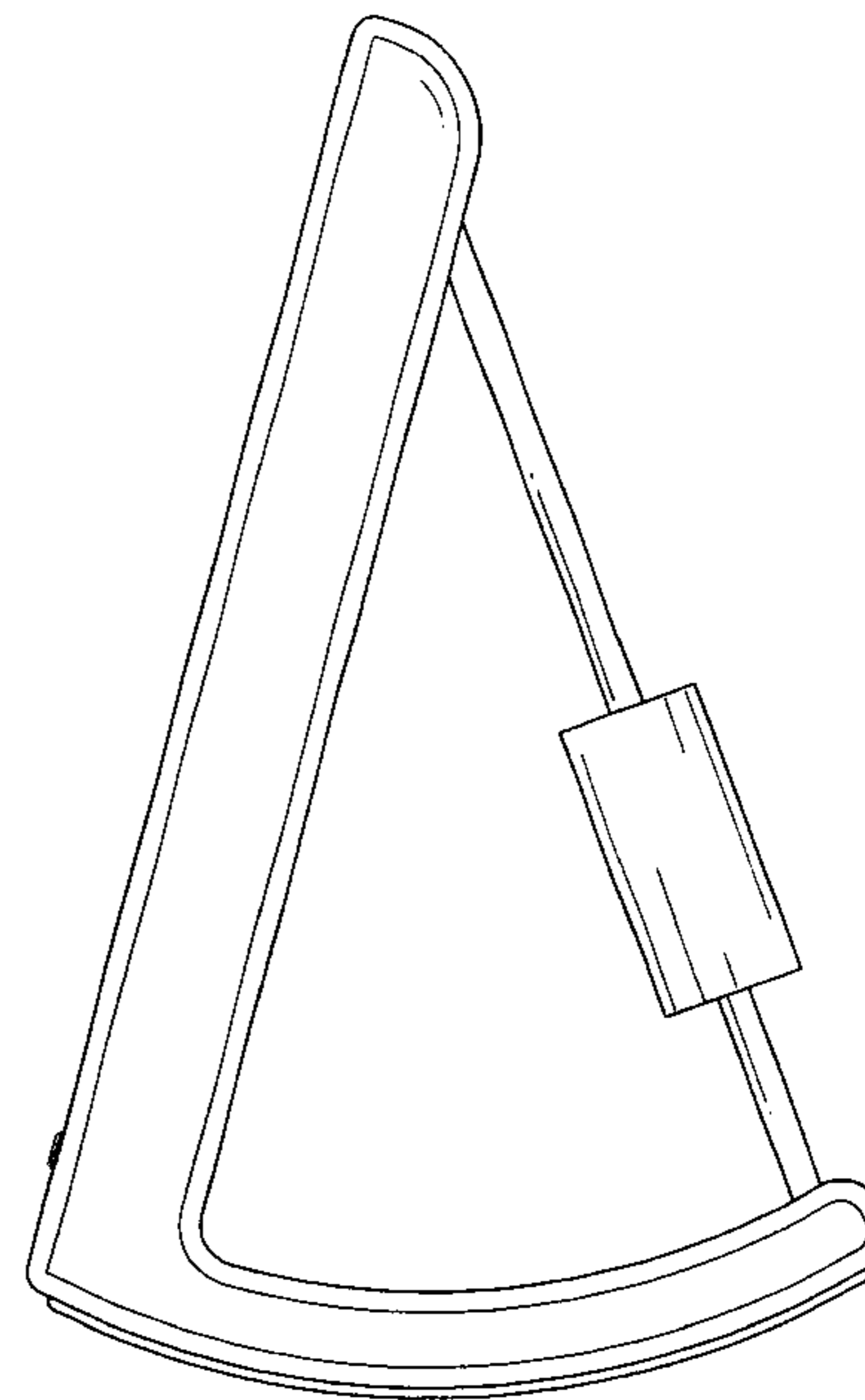
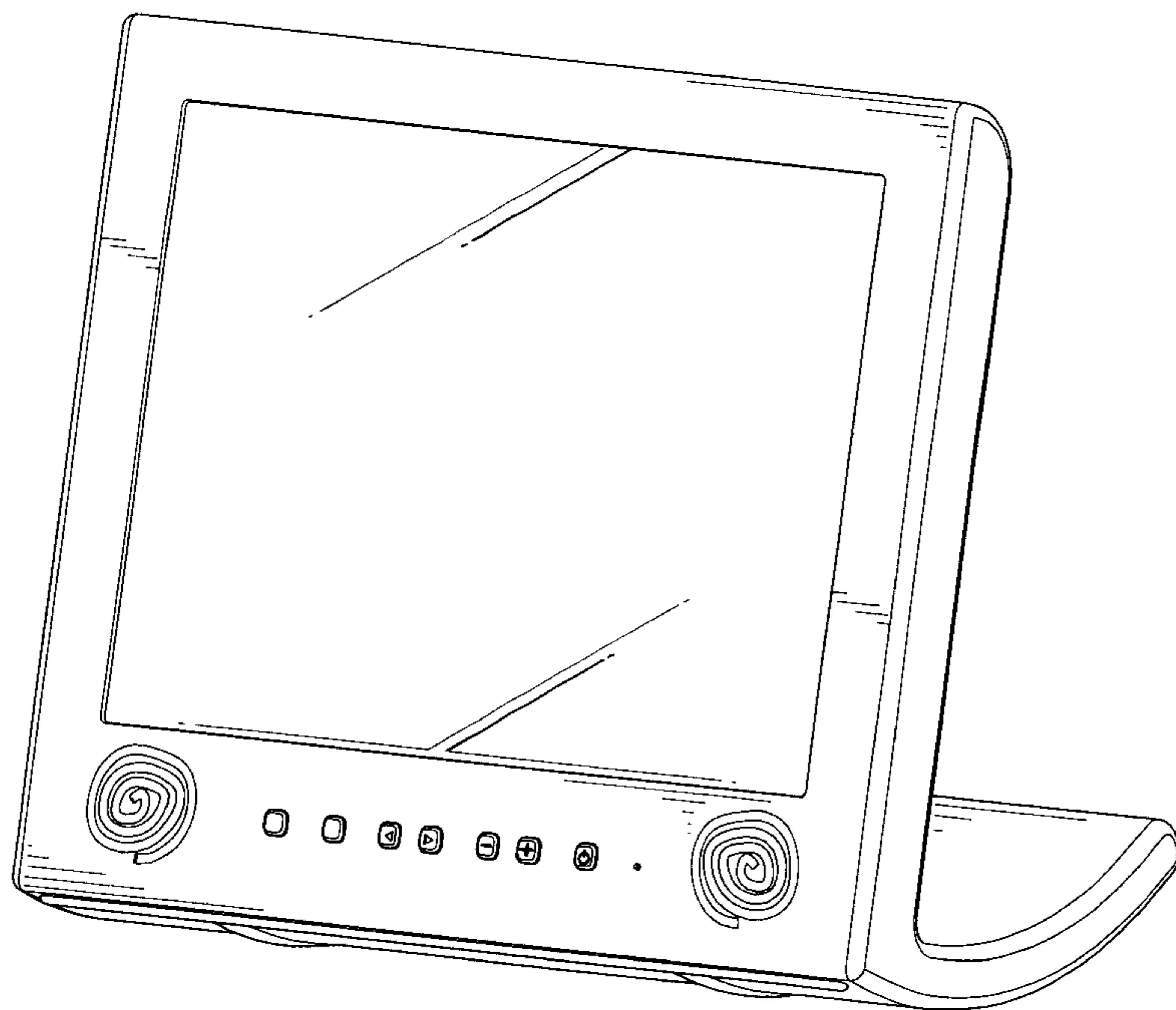
(57) **CLAIM**

The ornamental design for a television set, as shown.

DESCRIPTION

FIG. 1 is a perspective view of a television set showing my new design;
FIG. 2 is a front view thereof;
FIG. 3 is a rear view thereof;
FIG. 4 is a left view thereof;
FIG. 5 is a right view thereof;
FIG. 6 is a top view thereof; and,
FIG. 7 is a bottom view thereof.

1 Claim, 6 Drawing Sheets



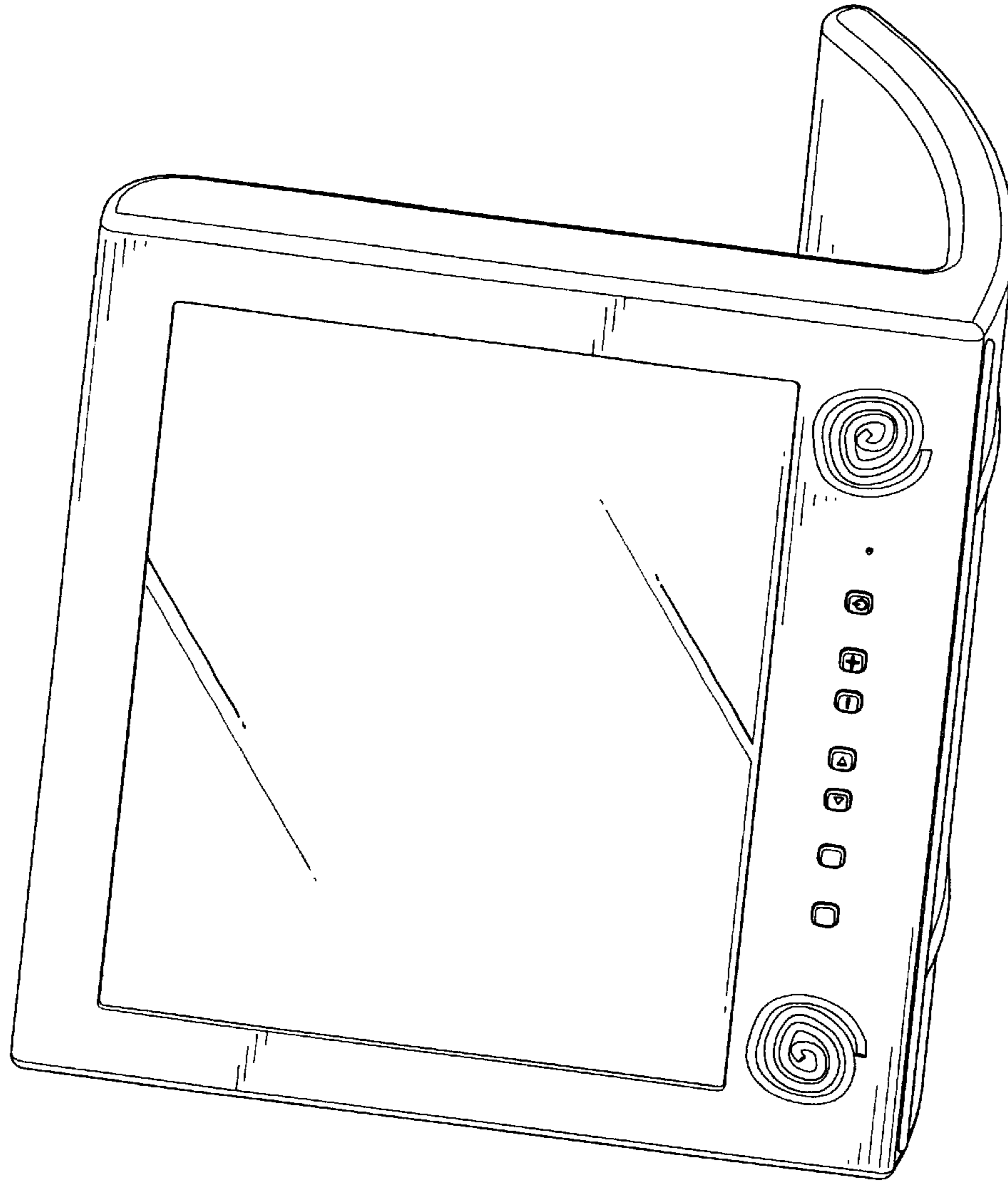


FIG. 1

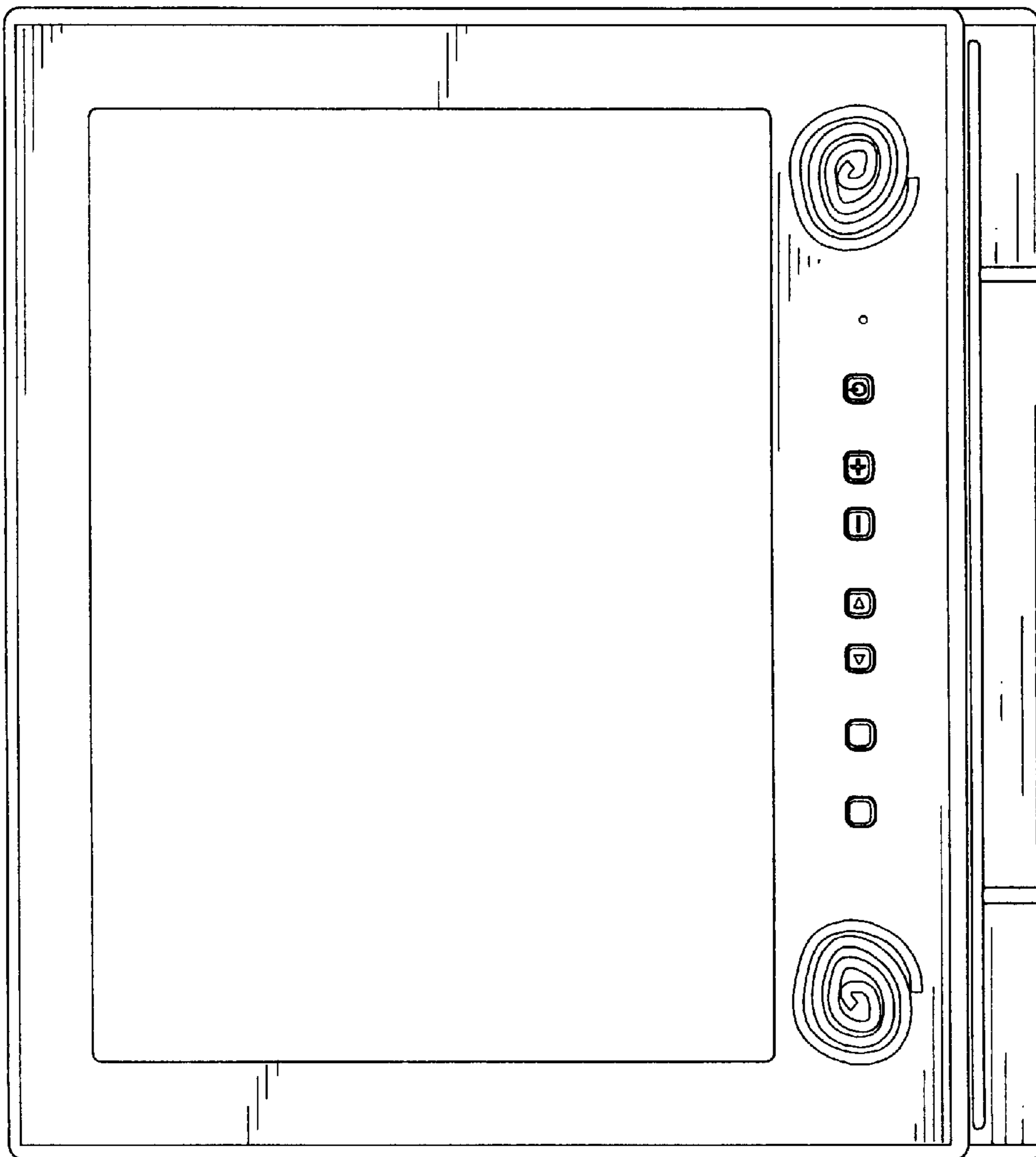


FIG. 2

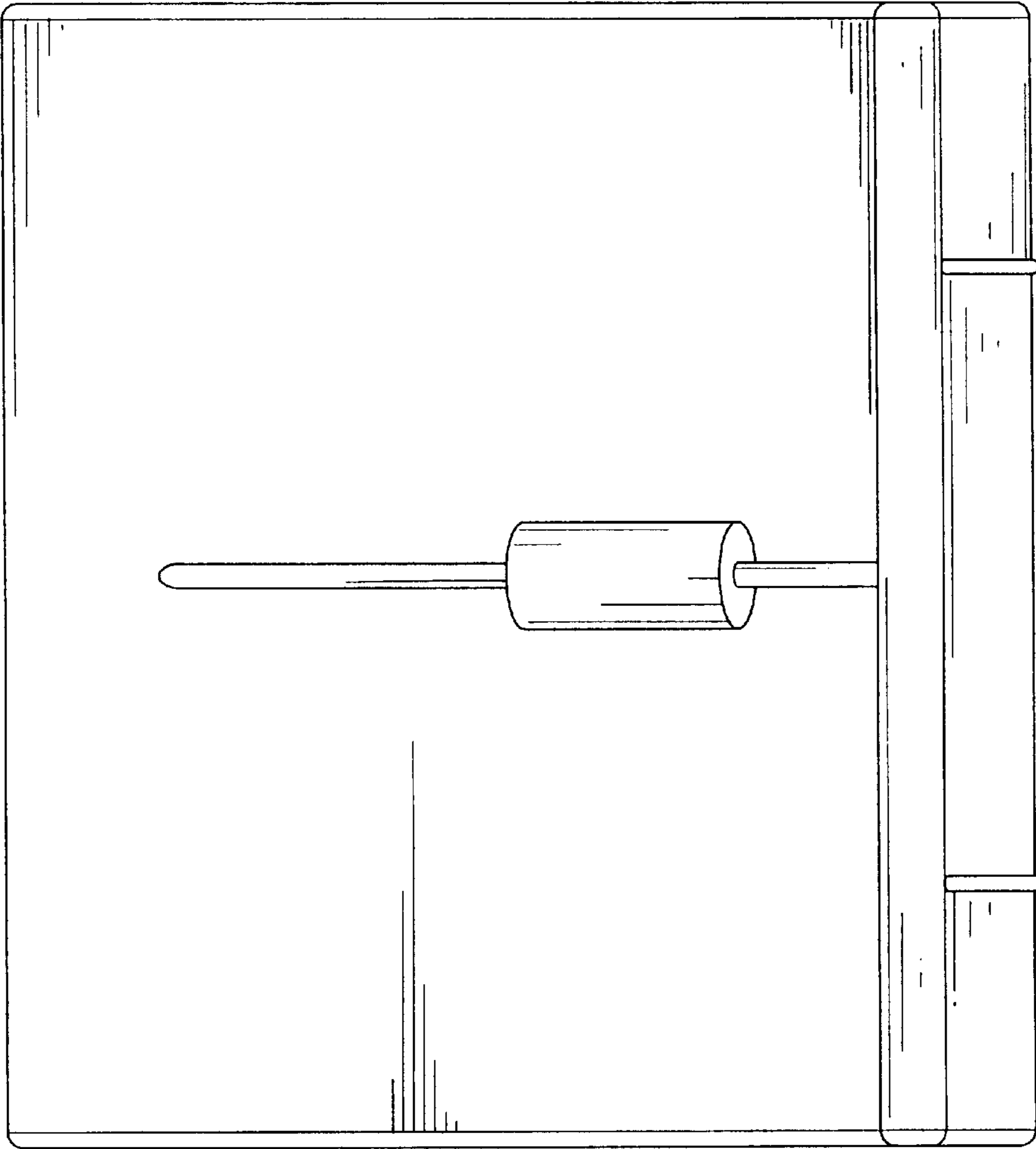


FIG. 3

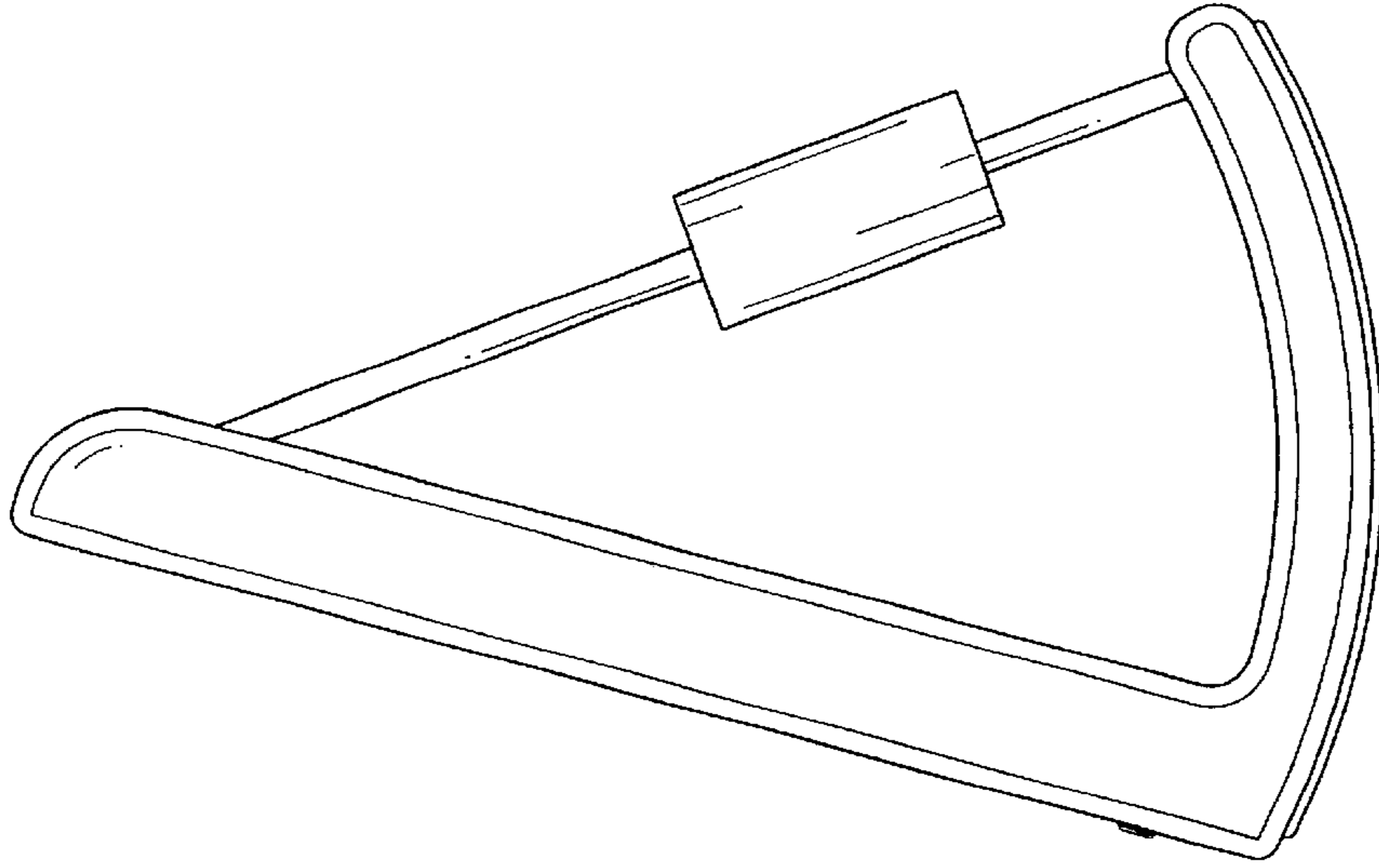


FIG. 5

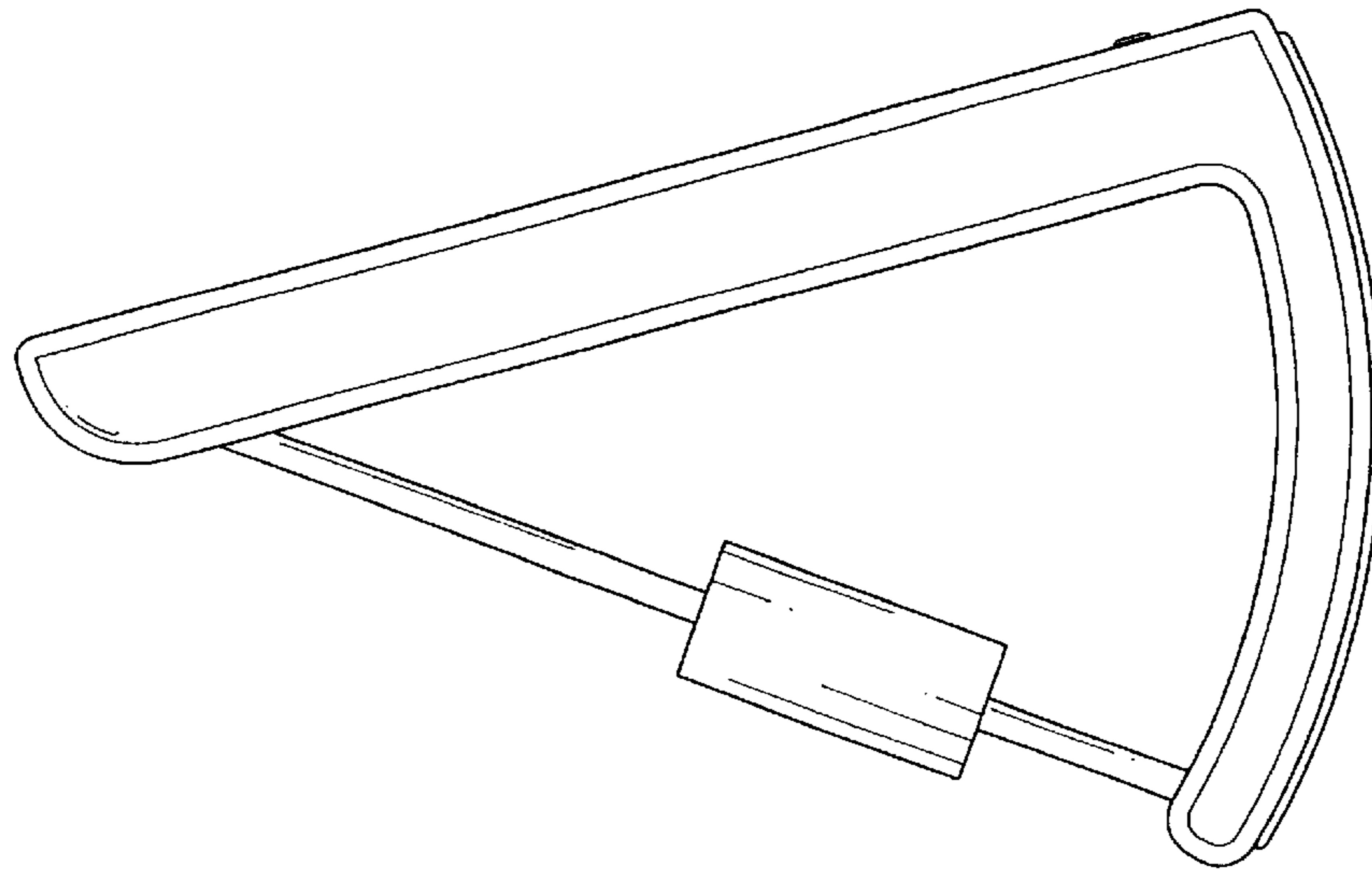


FIG. 4

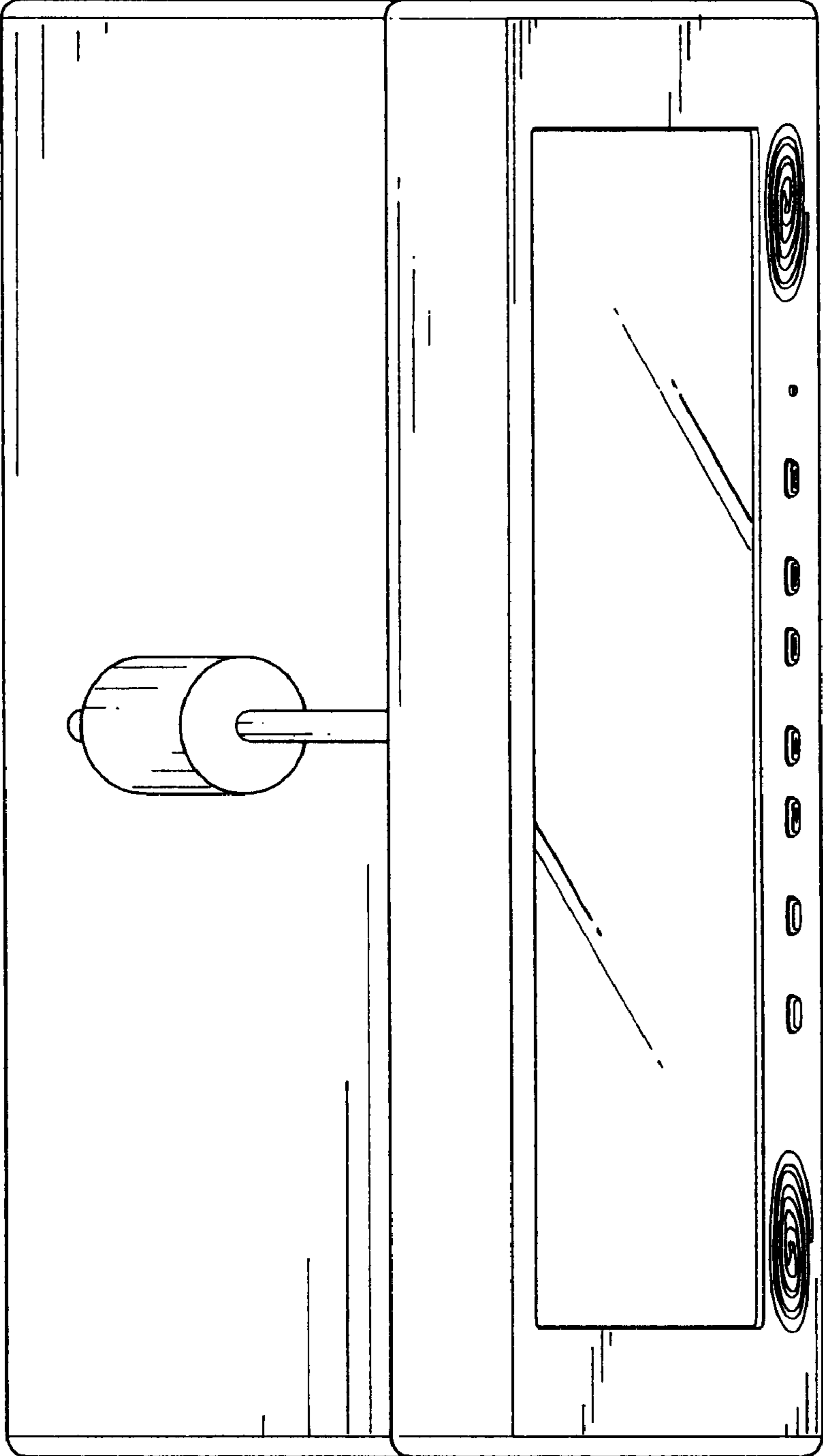


FIG. 6

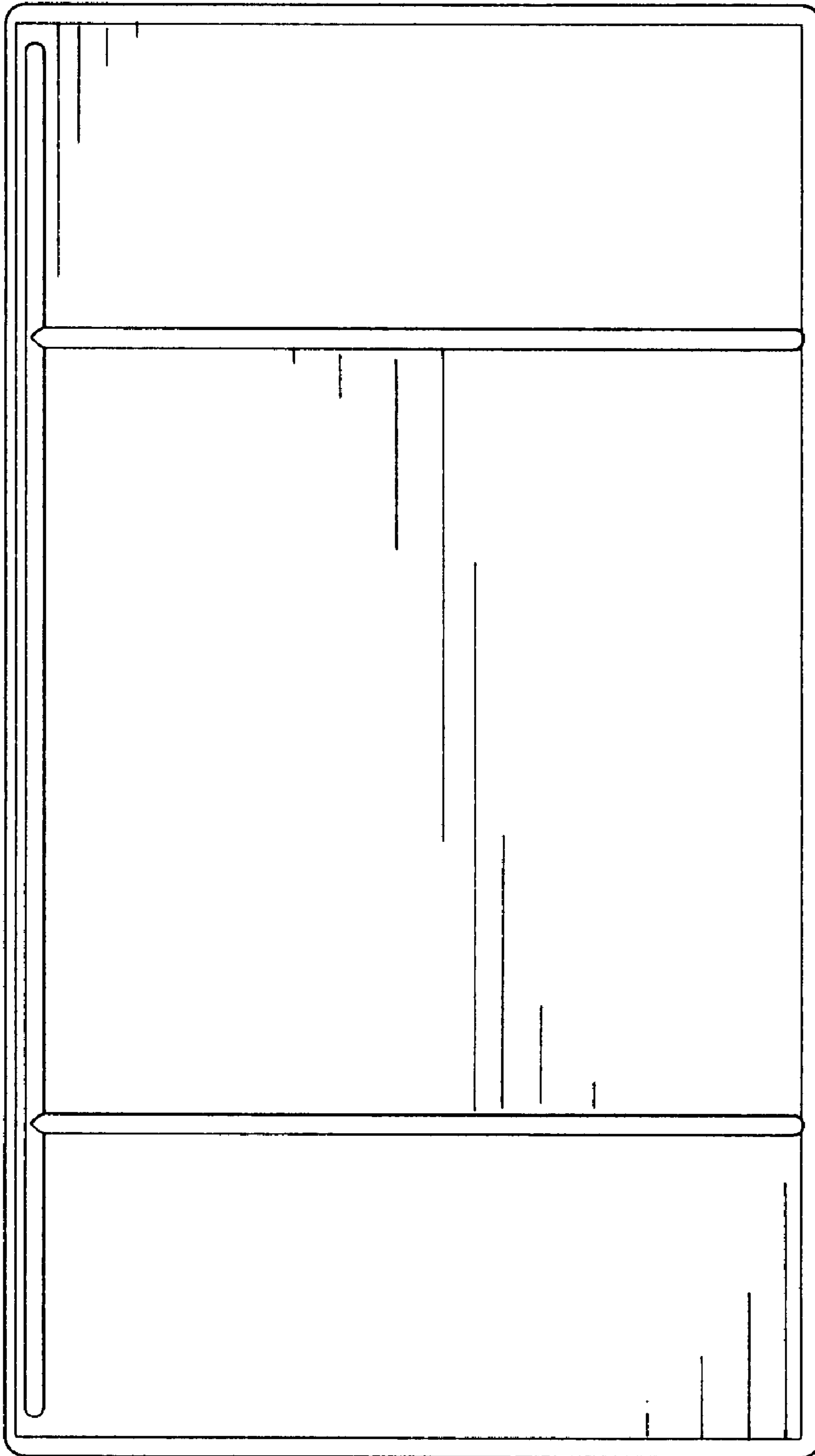


FIG. 7