



US00D521957S

(12) **United States Design Patent**
Hoehn et al.

(10) **Patent No.:** **US D521,957 S**
(45) **Date of Patent:** **** May 30, 2006**

(54) **TELEVISION SET**

(75) Inventors: **Holger Hoehn**, Taipei (TW); **Reinier Bloem**, Taipei (TW)

(73) Assignee: **Hannspree, Inc.**, Taipei (TW)

(**) Term: **14 Years**

(21) Appl. No.: **29/229,810**

(22) Filed: **May 11, 2005**

(30) **Foreign Application Priority Data**

Nov. 25, 2004 (TW) 93307076

(51) **LOC (8) Cl.** **14-03**

(52) **U.S. Cl.** **D14/126; D14/129**

(58) **Field of Classification Search** D14/125-134,
D14/239, 371, 136, 374-377; 312/7.2; 348/836,
348/838, 180, 184, 325, 739; 341/12; 248/917-924,
248/465; 345/104, 133, 156, 168, 87, 173;
720/605, 669, 600, 655; 369/99, 197; 455/344-347
See application file for complete search history.

(56) **References Cited**

U.S. PATENT DOCUMENTS

D412,722 S * 8/1999 Bagley D21/329

D431,055 S * 9/2000 Tachau et al. D21/448
D448,815 S * 10/2001 Chen D21/452
D473,865 S * 4/2003 Zuege et al. D14/371
D476,003 S * 6/2003 Zuege et al. D14/371

OTHER PUBLICATIONS

Legeo catalog, p. 16, 1995.*

* cited by examiner

Primary Examiner—Raphael Barkai

(74) *Attorney, Agent, or Firm*—Dellett & Walters

(57) **CLAIM**

The ornamental design for a television set, as shown and described.

DESCRIPTION

FIG. 1 is a perspective view of a television set showing our new design;

FIG. 2 is a front view thereof;

FIG. 3 is a rear view thereof;

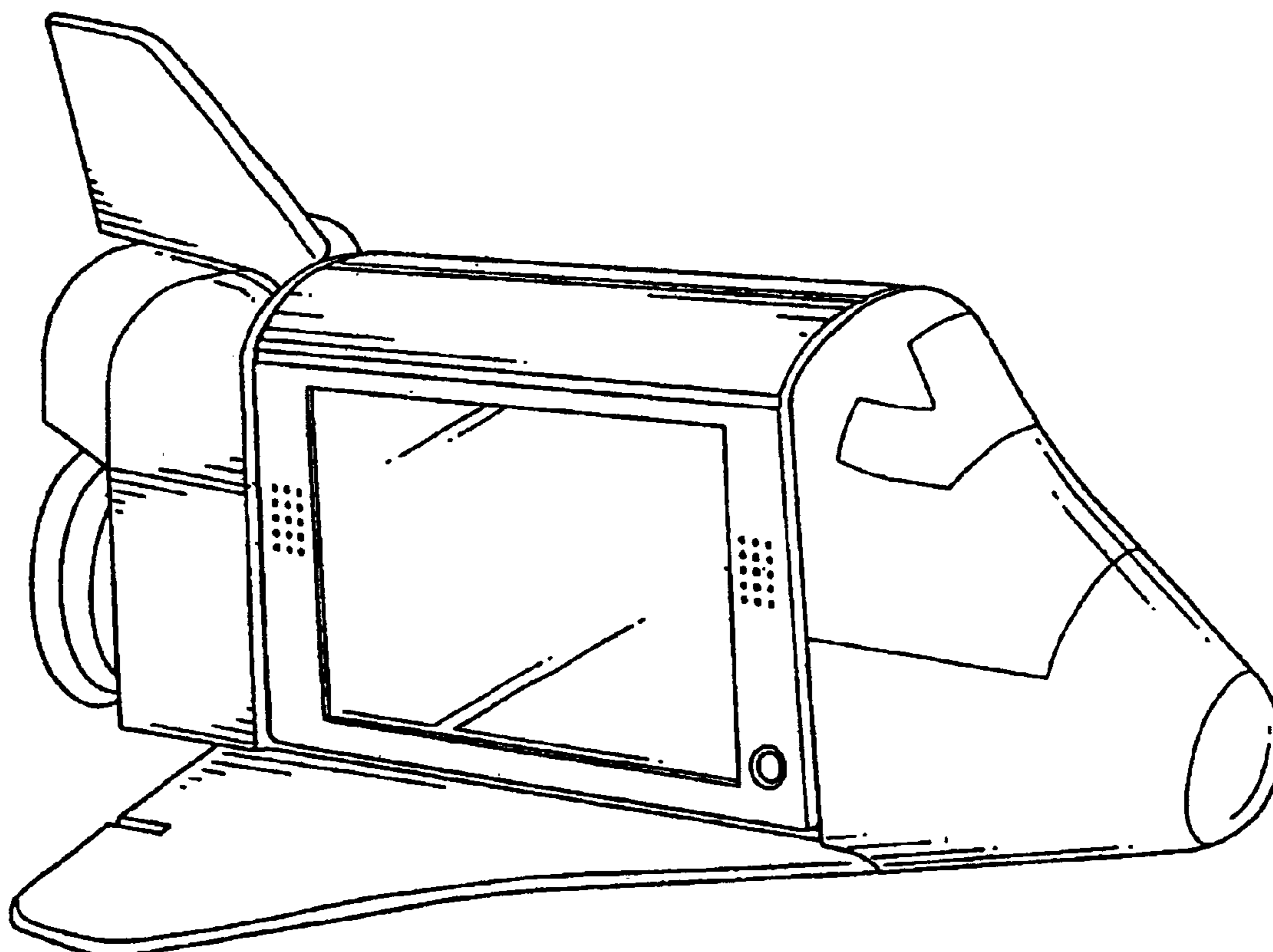
FIG. 4 is a left view thereof;

FIG. 5 is a right view thereof;

FIG. 6 is a top view thereof; and,

FIG. 7 is a bottom view thereof.

1 Claim, 7 Drawing Sheets



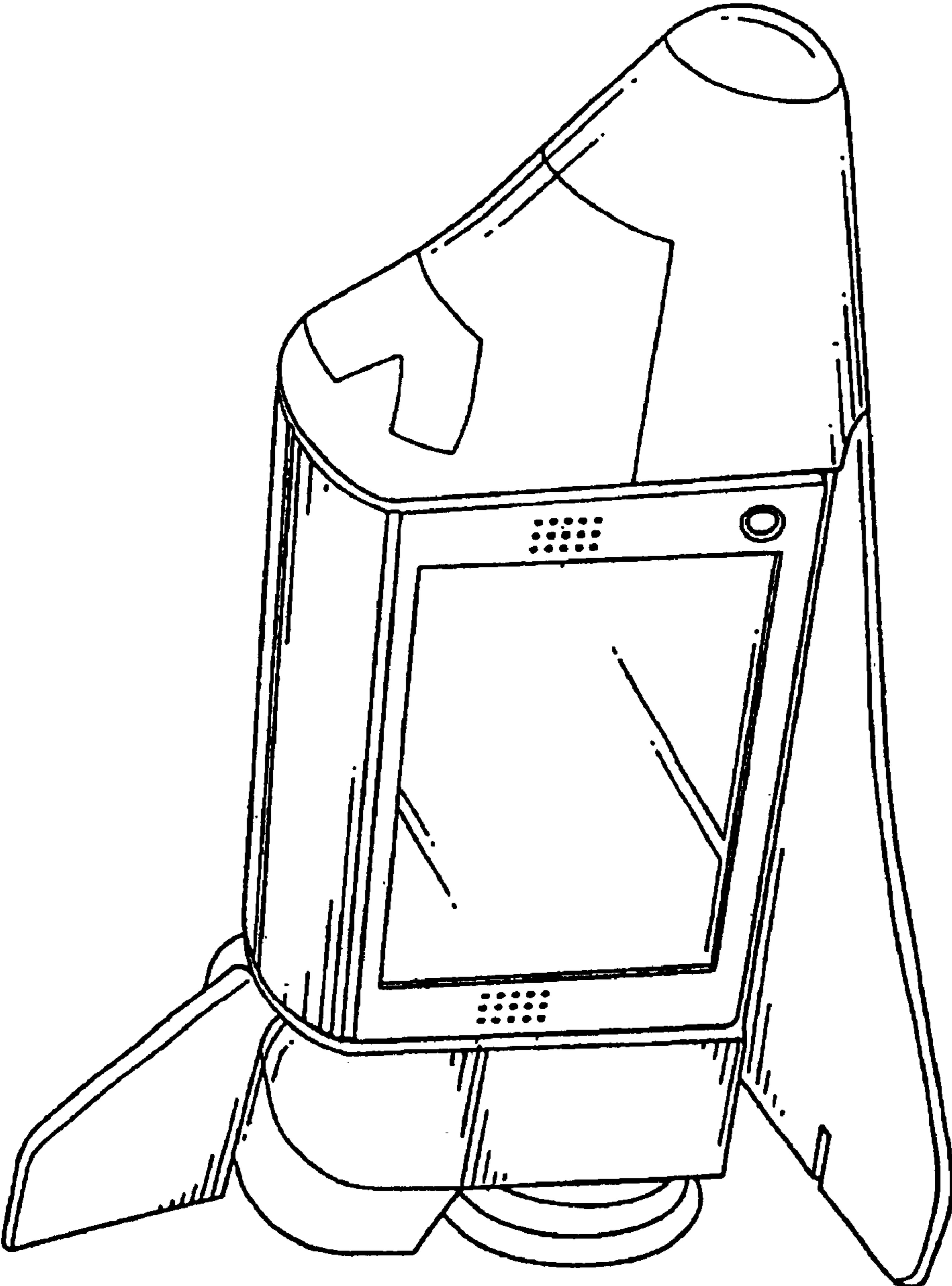


FIG. 1

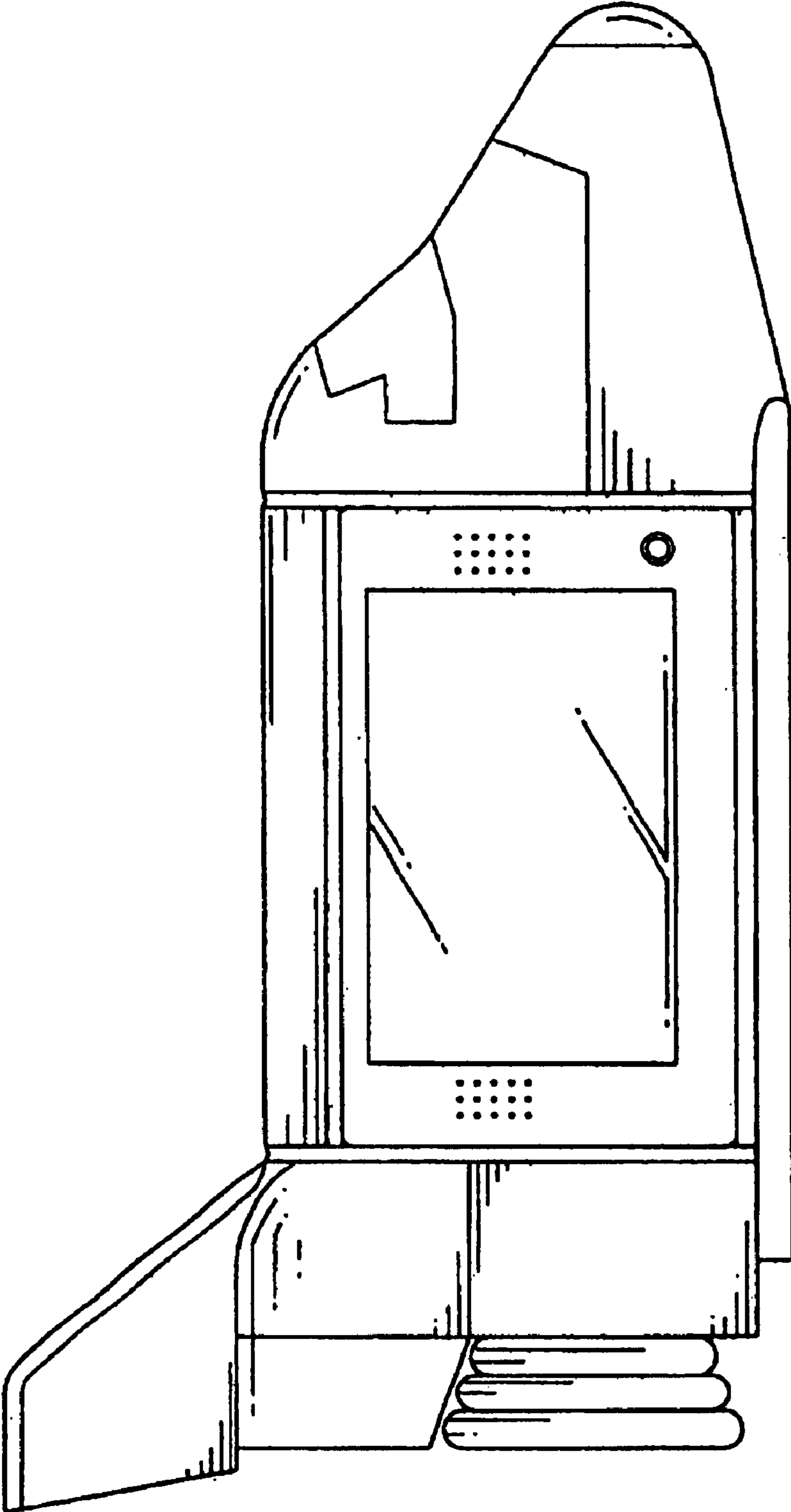


FIG. 2

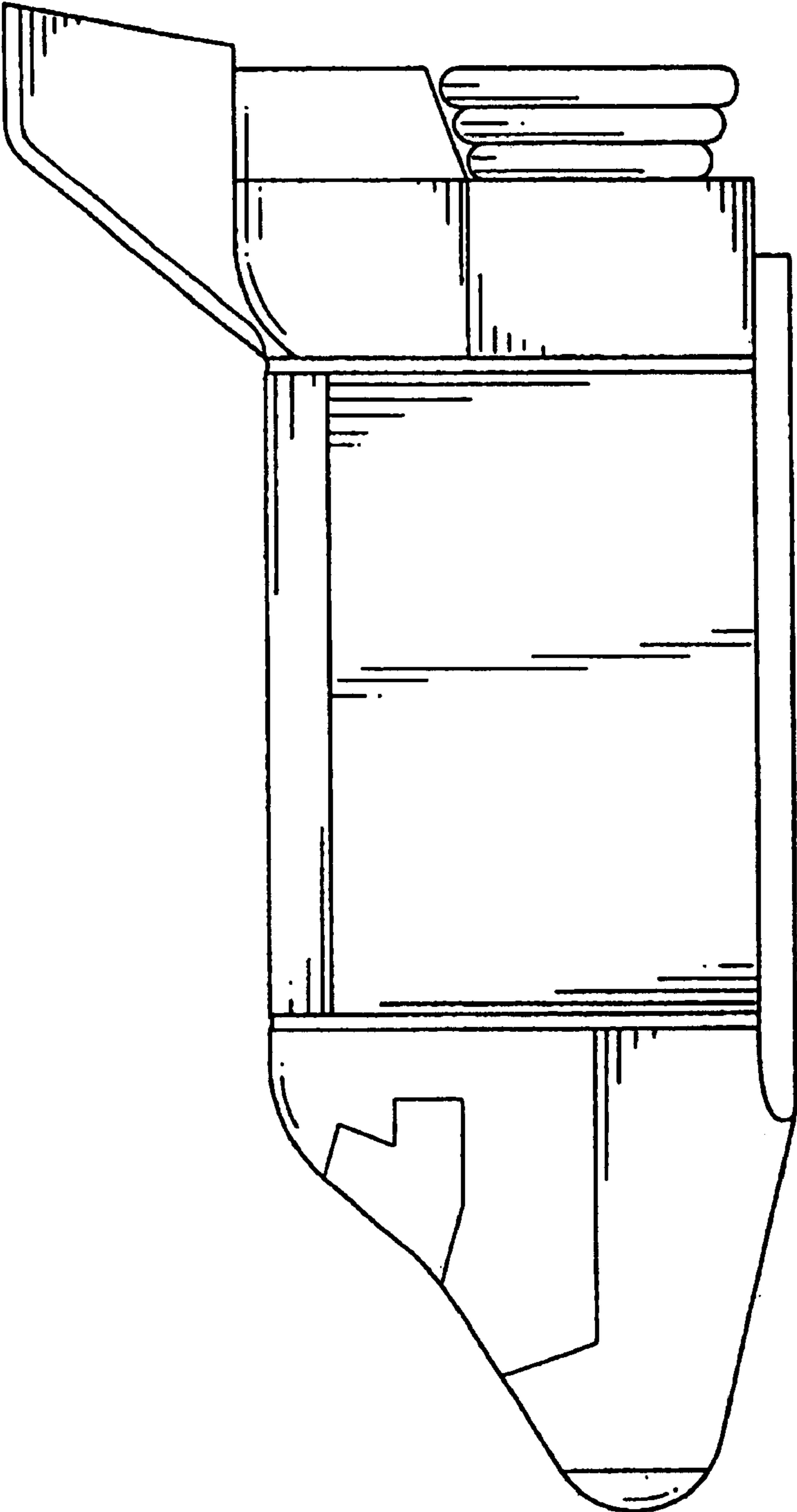


FIG. 3

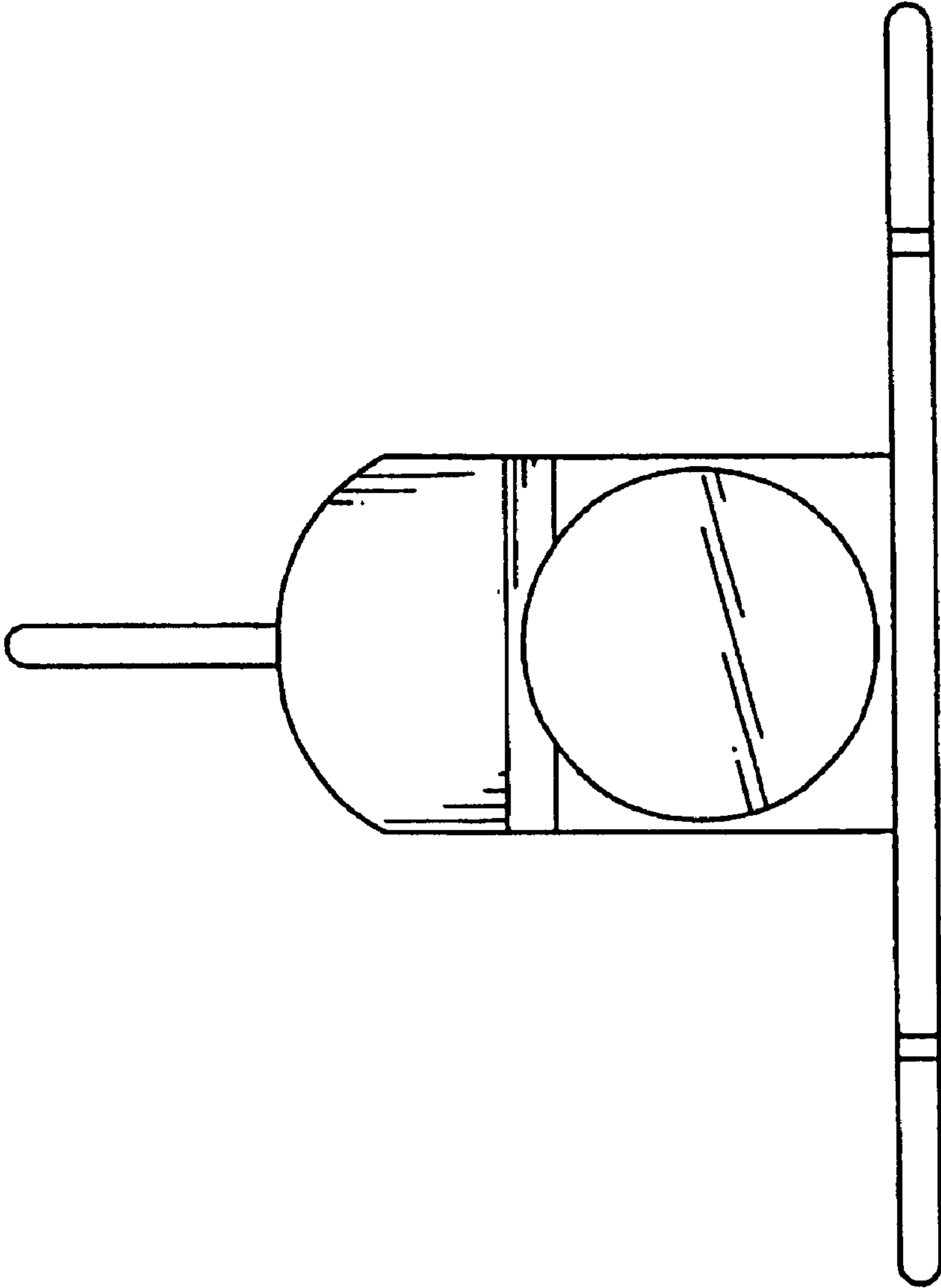


FIG. 4

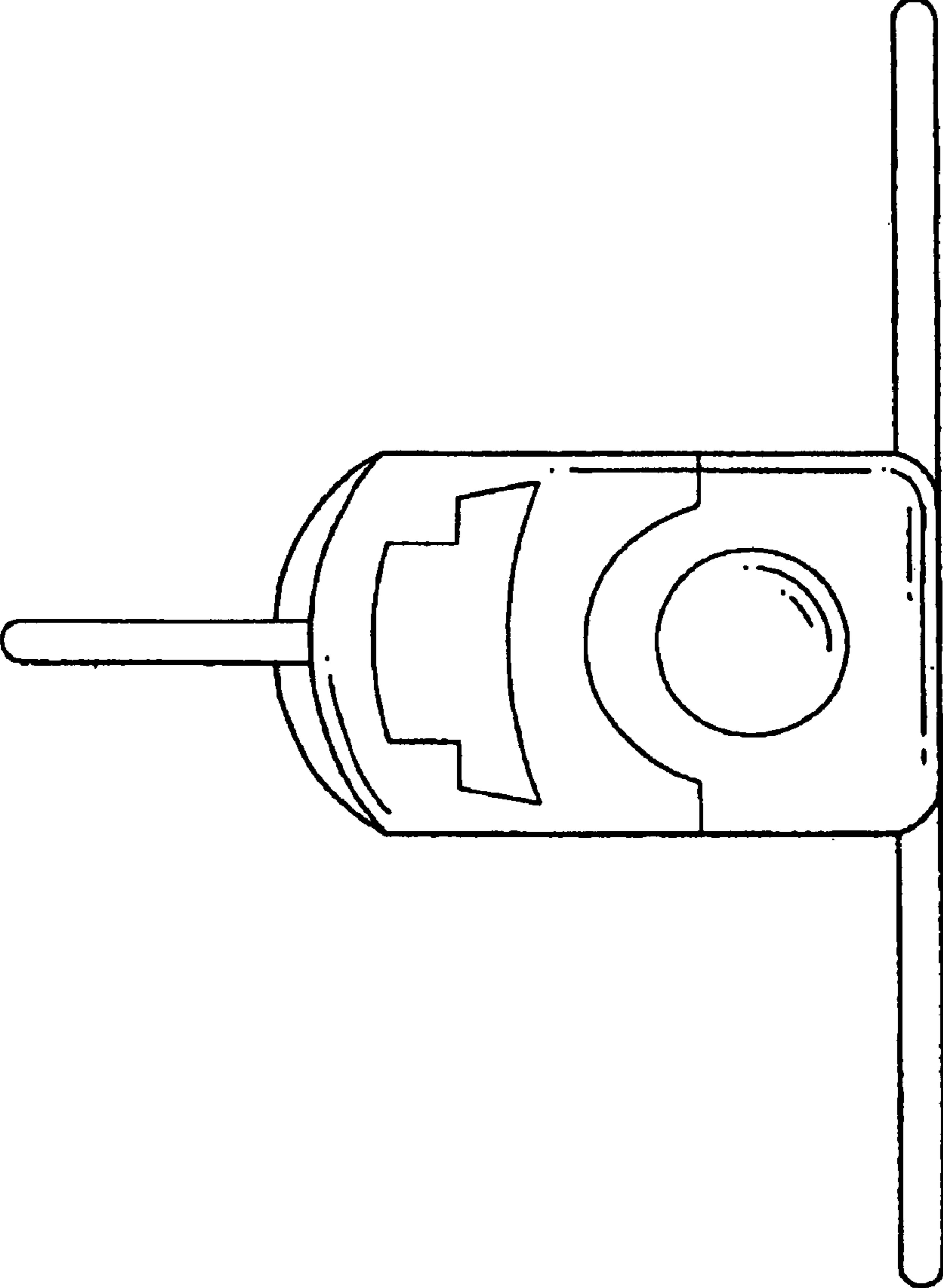


FIG. 5

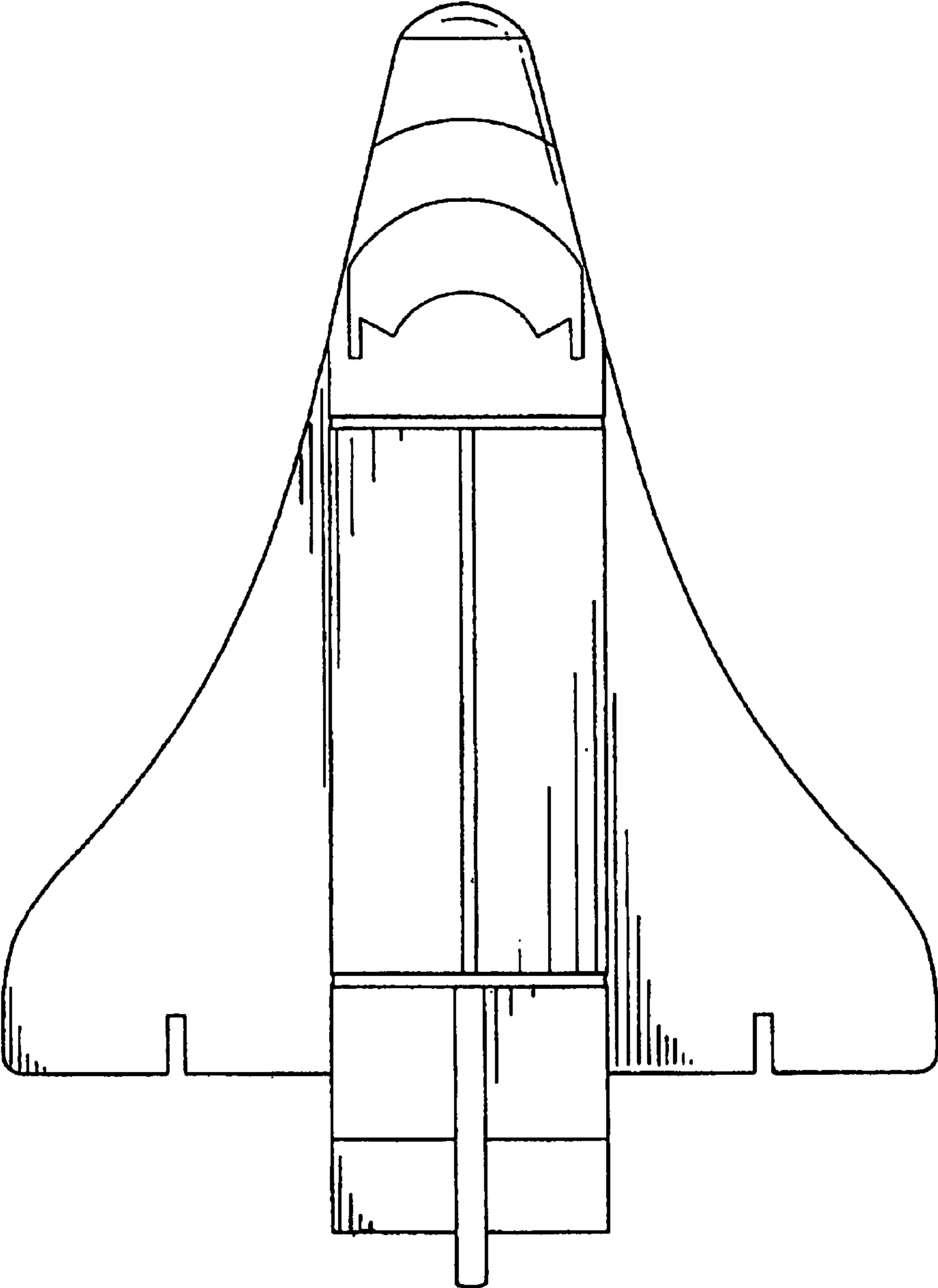


FIG. 6

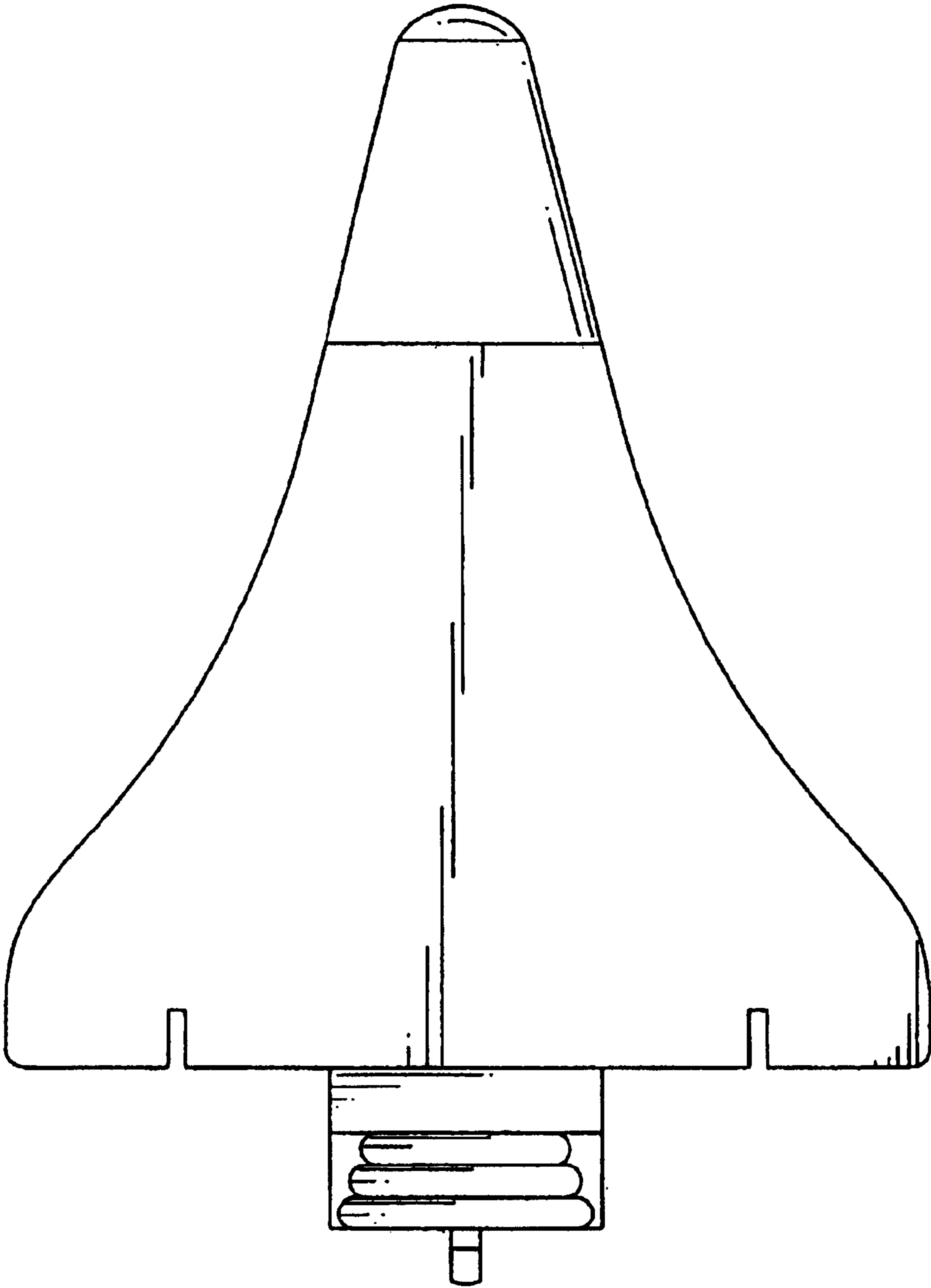


FIG. 7