



US00D521952S

(12) **United States Design Patent**  
**Yamada et al.**

(10) **Patent No.: US D521,952 S**  
(45) **Date of Patent: \*\* May 30, 2006**

(54) **SEMICONDUCTOR DEVICE**

(75) Inventors: **Tatsuya Yamada**, Yokohama (JP);  
**Kazuhiko Kurahashi**, Kawasaki (JP);  
**Toshihisa Inoue**, Yokohama (JP); **Taizo**  
**Tomioka**, Yokohama (JP); **Kazuo**  
**Shimokawa**, Yokohama (JP); **Yoshiki**  
**Endo**, Ibo-jun (JP); **Masahiro Urase**,  
Himeji (JP); **Osamu Usuda**, Tatsuno  
(JP)

D444,132 S 6/2001 Iwanishi et al.  
6,383,835 B1 \* 5/2002 Hata et al. .... 438/65  
D476,962 S 7/2003 Yoshihira et al.  
6,713,868 B1 \* 3/2004 Ueno ..... 257/730

**FOREIGN PATENT DOCUMENTS**

JP 1046274 8/1999  
JP 1067223 4/2000  
JP 1078599-1 7/2000  
JP 1131942 1/2002  
JP 1171699 4/2003

(73) Assignee: **Kabushiki Kaisha Toshiba** (JP)

(\*\*) Term: **14 Years**

(21) Appl. No.: **29/206,163**

(22) Filed: **May 27, 2004**

(30) **Foreign Application Priority Data**

Feb. 23, 2004 (JP) ..... 2004-005064

(51) **LOC (8) Cl.** ..... **13-03**

(52) **U.S. Cl.** ..... **D13/182**

(58) **Field of Classification Search** ..... D13/182;  
174/52.1, 52.2, 52.4; 257/666, 669, 675,  
257/676, 678, 690, 692, 696, 697, 730, 787;  
361/773, 820; 438/64, 65

See application file for complete search history.

(56) **References Cited**

**U.S. PATENT DOCUMENTS**

5,752,182 A \* 5/1998 Nakatsuka et al. .... 455/333  
5,949,294 A \* 9/1999 Kondo et al. .... 331/68  
D416,236 S \* 11/1999 Kobayashi et al. .... D13/182  
5,991,162 A \* 11/1999 Saso ..... 361/760

**OTHER PUBLICATIONS**

Kinseki, KSS Products Catalog, SAW Filter  
(LSFB30-190-004M0), p. 71, Mar. 2000.

\* cited by examiner

*Primary Examiner*—Stella Reid  
*Assistant Examiner*—Selina Sikder

(74) *Attorney, Agent, or Firm*—Banner & Witcoff, Ltd.

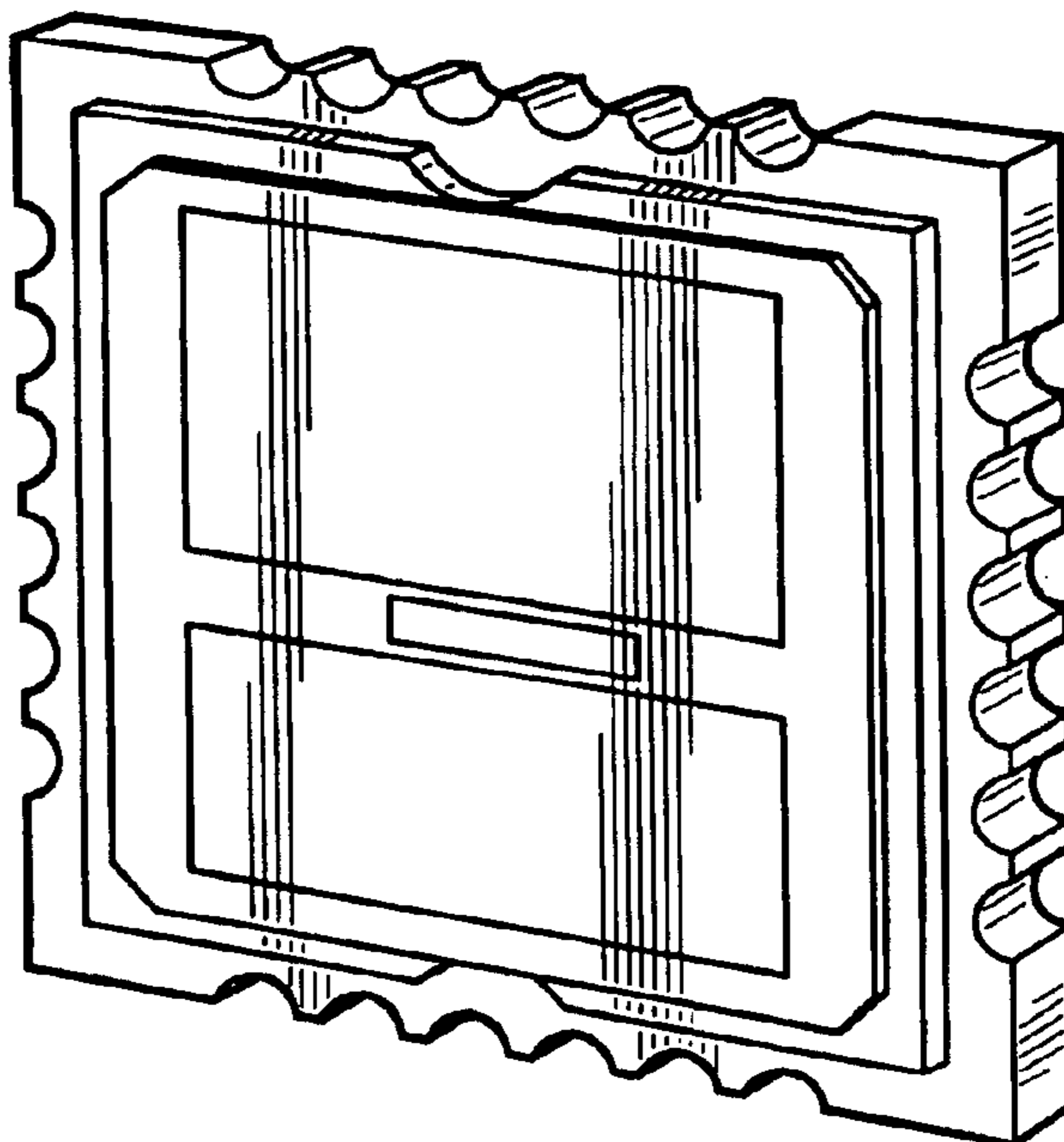
(57) **CLAIM**

The ornamental design for a semiconductor device, as shown and described.

**DESCRIPTION**

FIG. 1 is a front, top and right side perspective view of a semiconductor device, showing our new design;  
FIG. 2 is a top plan view thereof; the opposite side being a mirror image thereof;  
FIG. 3 is a front elevational view thereof;  
FIG. 4 is a right side elevational view thereof; the opposite side being a mirror image thereof; and,  
FIG. 5 is a rear elevational view thereof.

**1 Claim, 2 Drawing Sheets**



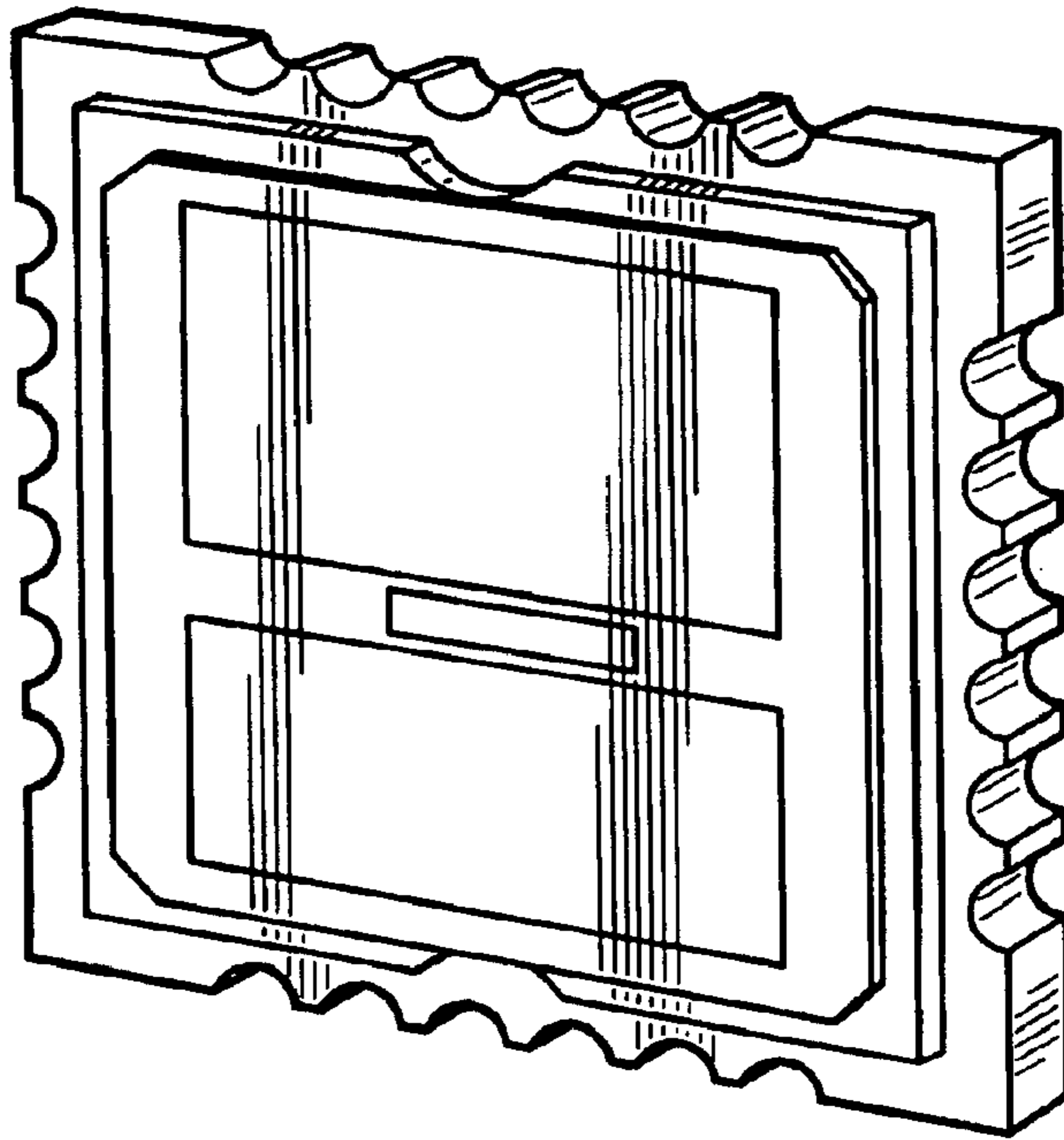


FIG. 1



FIG. 2

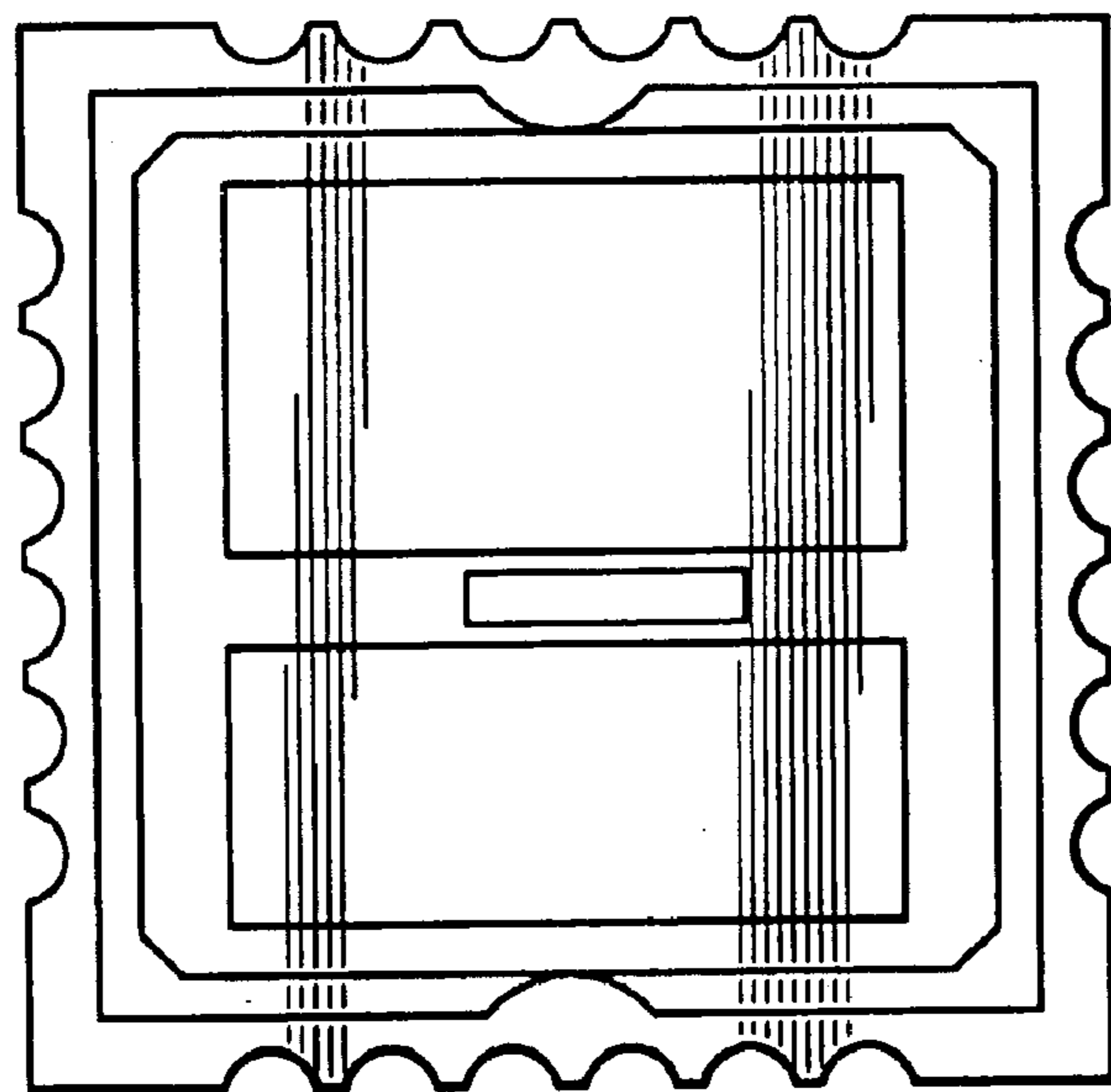


FIG. 3



FIG. 4

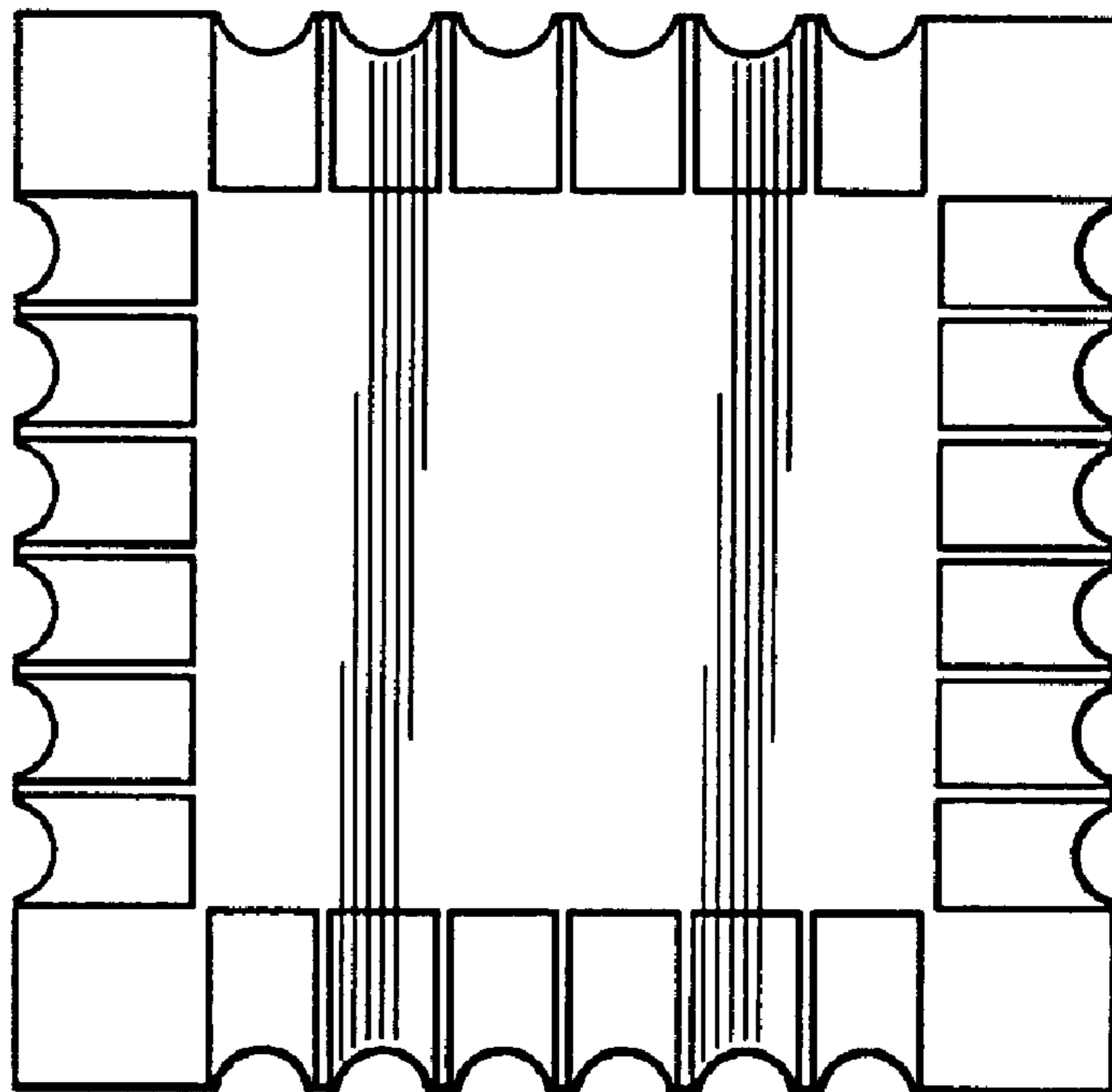


FIG.5