

US00D521951S

(12) **United States Design Patent**  
**Song**

(10) **Patent No.:** **US D521,951 S**

(45) **Date of Patent:** **\*\* May 30, 2006**

(54) **LIGHT-EMITTING DIODE**

(75) Inventor: **Young Jae Song**, Suwon (KR)

(73) Assignee: **Samsung Electro-Mechanics Co., Ltd.**  
(KR)

(\*\*) Term: **14 Years**

(21) Appl. No.: **29/231,966**

(22) Filed: **Jun. 13, 2005**

(30) **Foreign Application Priority Data**

Dec. 27, 2004 (KR) ..... 30-2004-0040144

(51) **LOC (8) Cl.** ..... **13-03**

(52) **U.S. Cl.** ..... **D13/180**

(58) **Field of Classification Search** ..... D13/180;  
D26/2; 257/79, 80, 81, 82, 88, 89, 95, 98,  
257/100, 433, 434, 666; 313/483, 498, 500;  
361/820; 362/235, 555, 800; 372/45  
See application file for complete search history.

(56) **References Cited**

**U.S. PATENT DOCUMENTS**

6,586,721 B1 \* 7/2003 Estevez-Garcia ..... 250/221  
6,707,069 B1 \* 3/2004 Song et al. .... 257/79

D490,387 S	*	5/2004	Yagi	.....	D13/182
D491,899 S	*	6/2004	Yagi	.....	D13/180
D494,550 S	*	8/2004	Hoshiba	.....	D13/180
D495,304 S	*	8/2004	Kim et al.	.....	D13/180
D505,396 S	*	5/2005	Hoshiba	.....	D13/180
D505,398 S	*	5/2005	Nakashima	.....	D13/180
D505,661 S	*	5/2005	Suenaga	.....	D13/180
D511,329 S	*	11/2005	Suenaga	.....	D13/180
D512,029 S	*	11/2005	Kim et al.	.....	D13/180

\* cited by examiner

*Primary Examiner*—Stella Reid

*Assistant Examiner*—Selina Sikder

(74) *Attorney, Agent, or Firm*—The Webb Law Firm

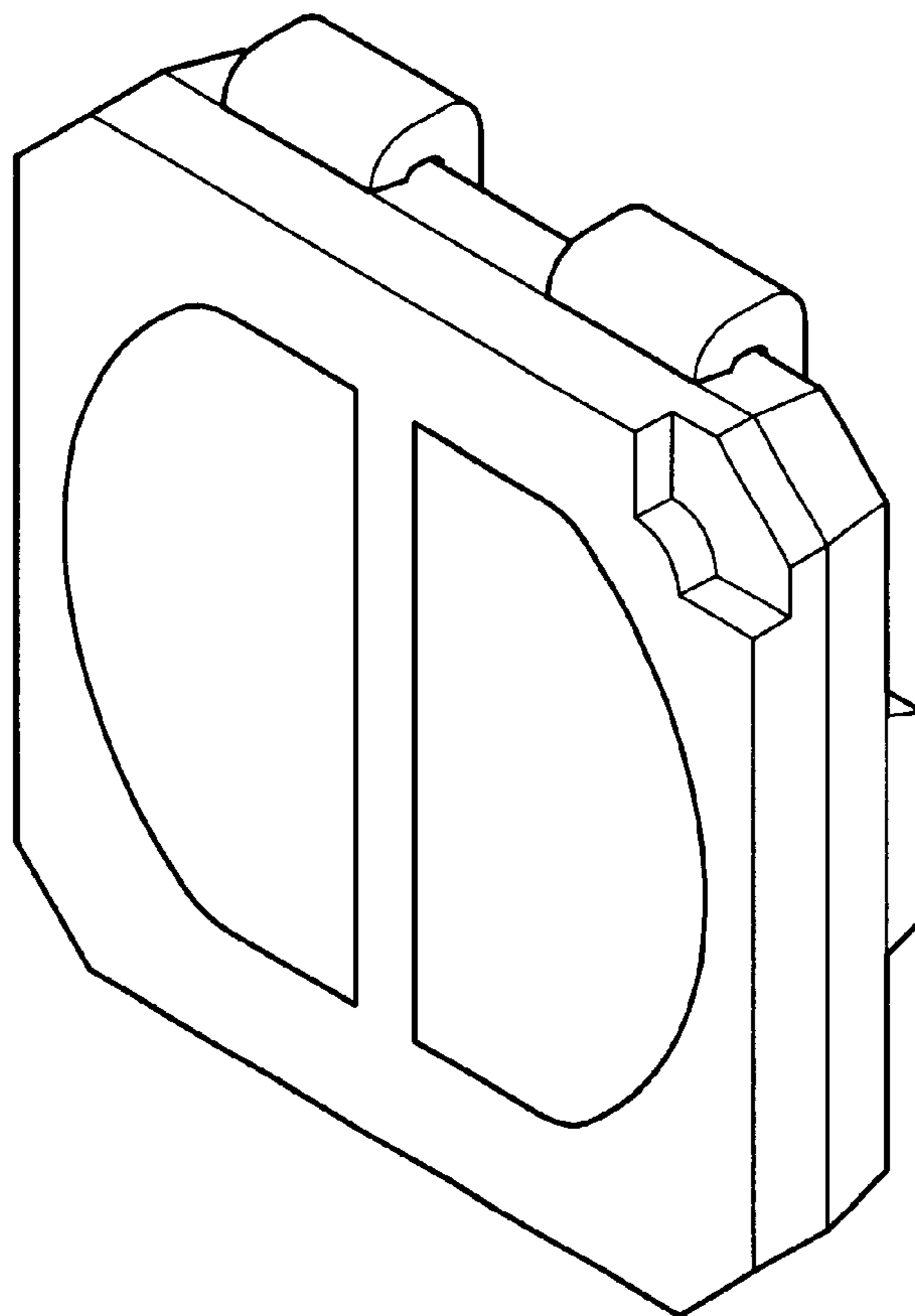
(57) **CLAIM**

The ornamental design for a light-emitting diode, as shown and described.

**DESCRIPTION**

FIG. 1 is a perspective view of a light-emitting diode;  
FIG. 2 is a front view thereof;  
FIG. 3 is a rear view thereof;  
FIG. 4 is a left side view thereof;  
FIG. 5 is a right side view thereof;  
FIG. 6 is a top plan view thereof; and,  
FIG. 7 is a bottom view thereof.

**1 Claim, 3 Drawing Sheets**



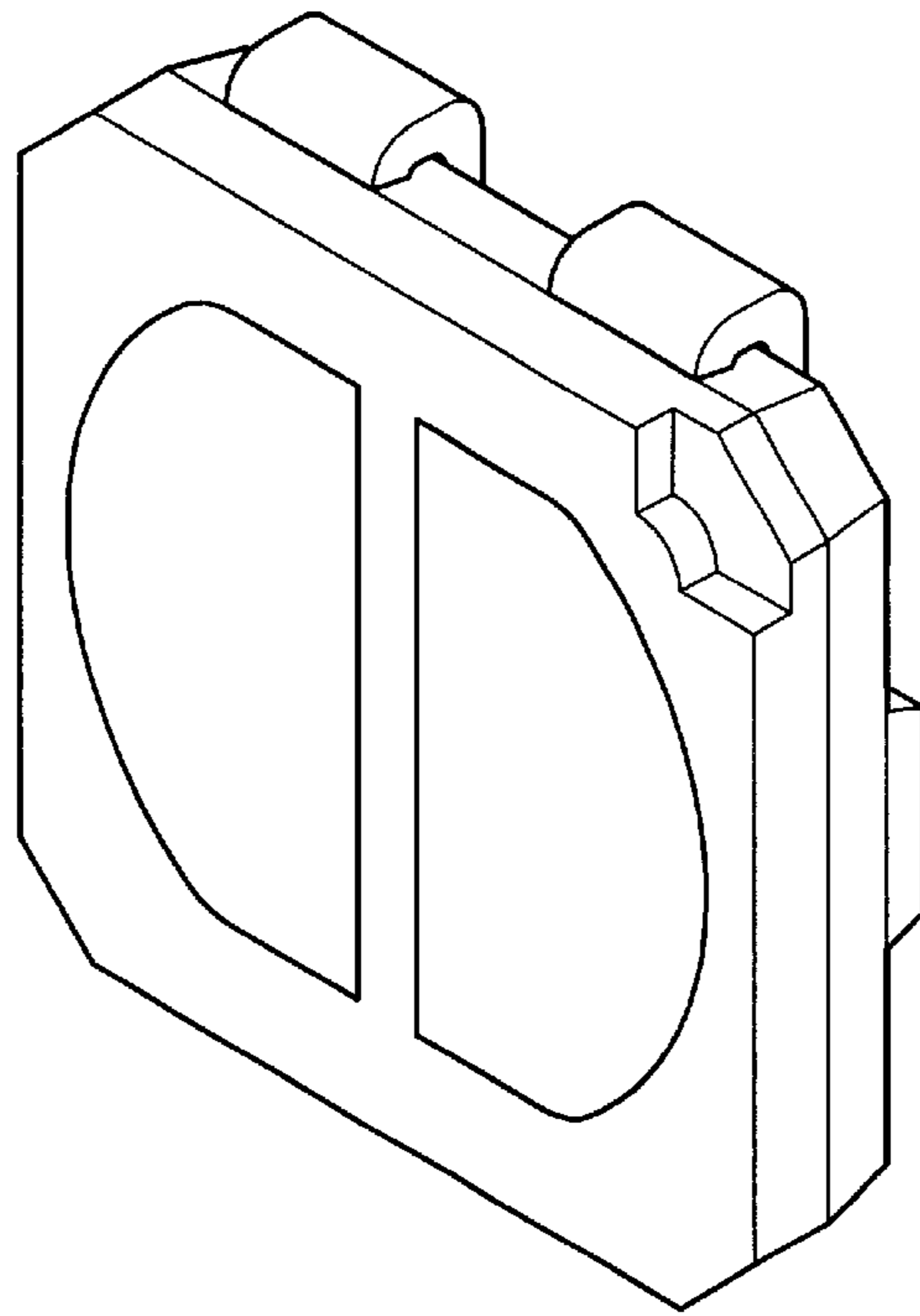


FIG. 1

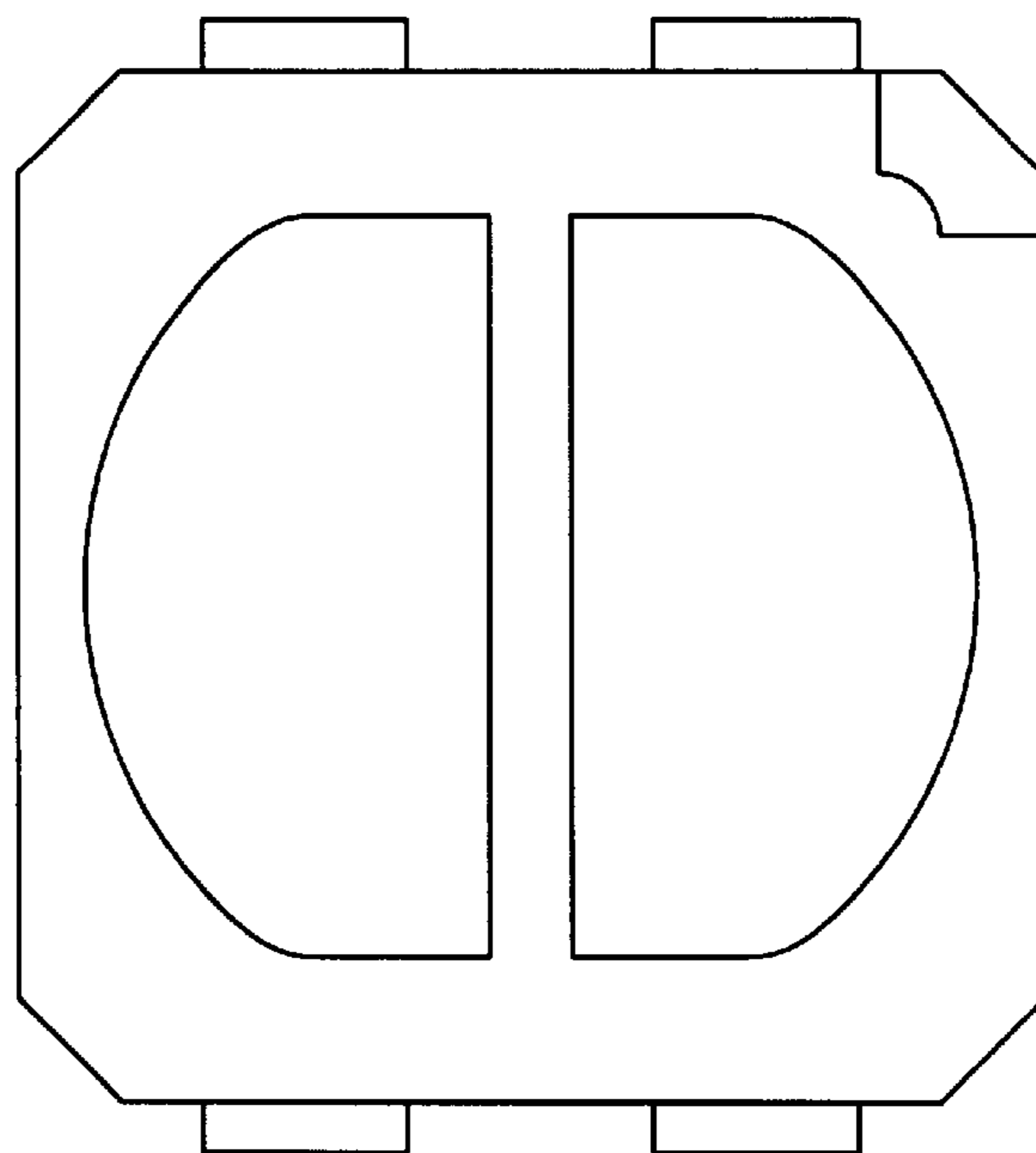


FIG. 2

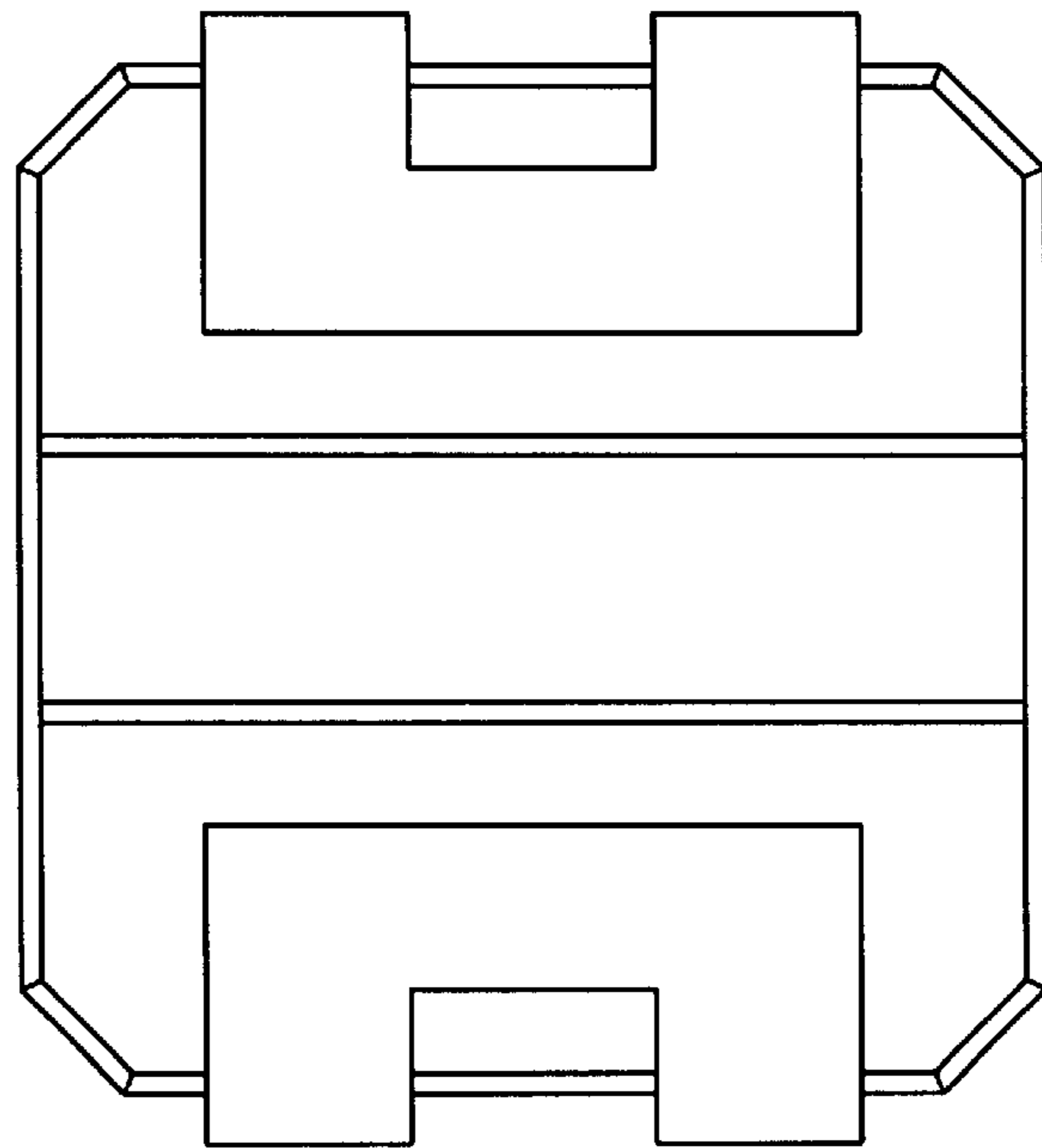


FIG. 3

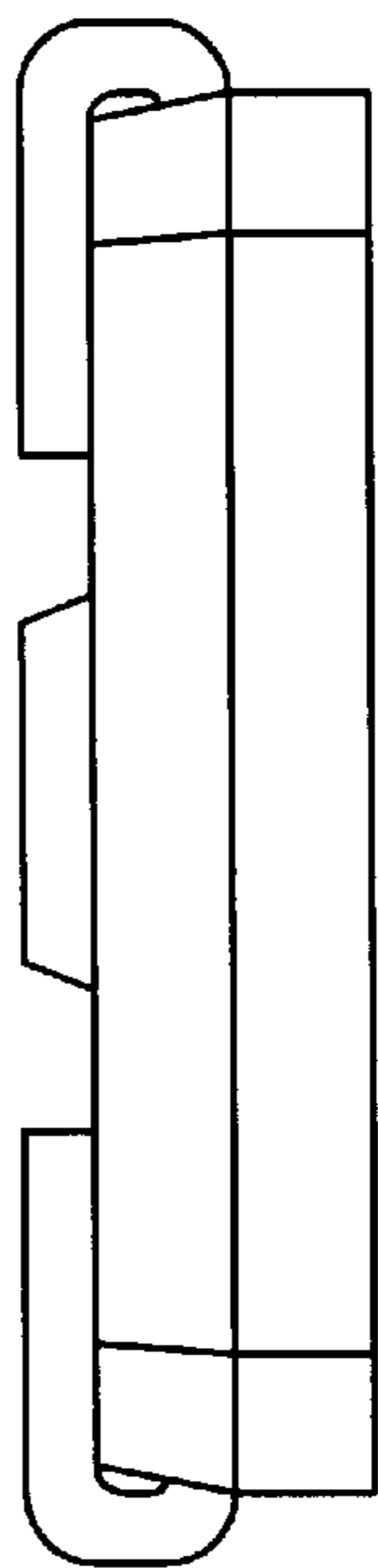


FIG. 4

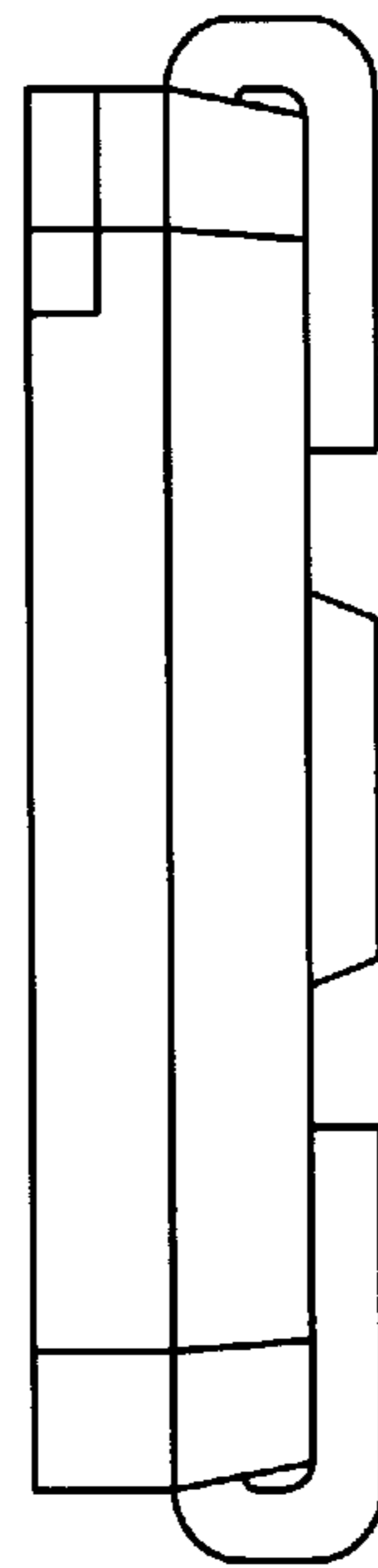


FIG. 5

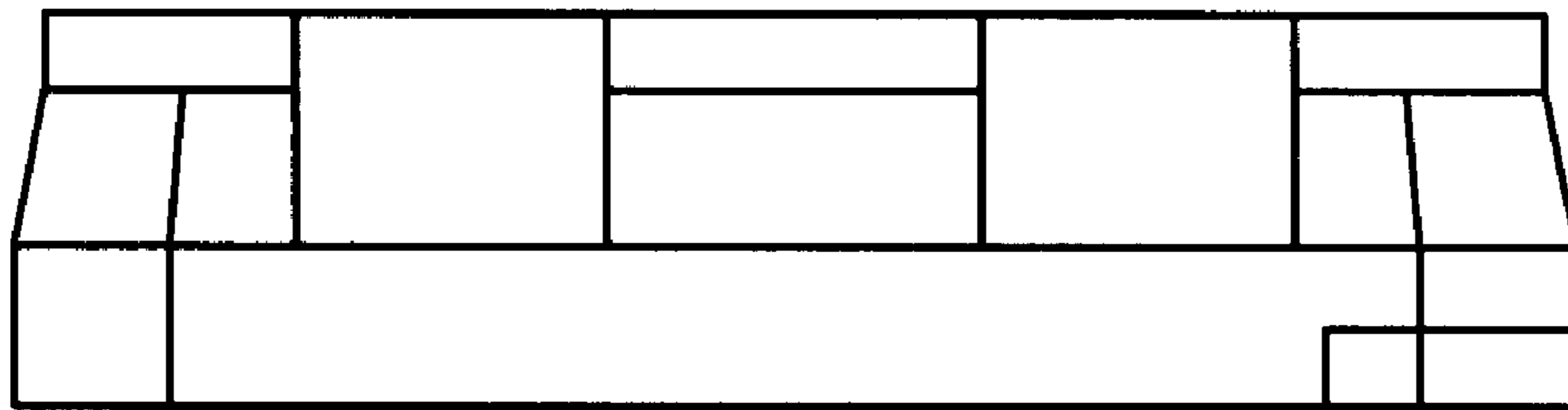


FIG. 6

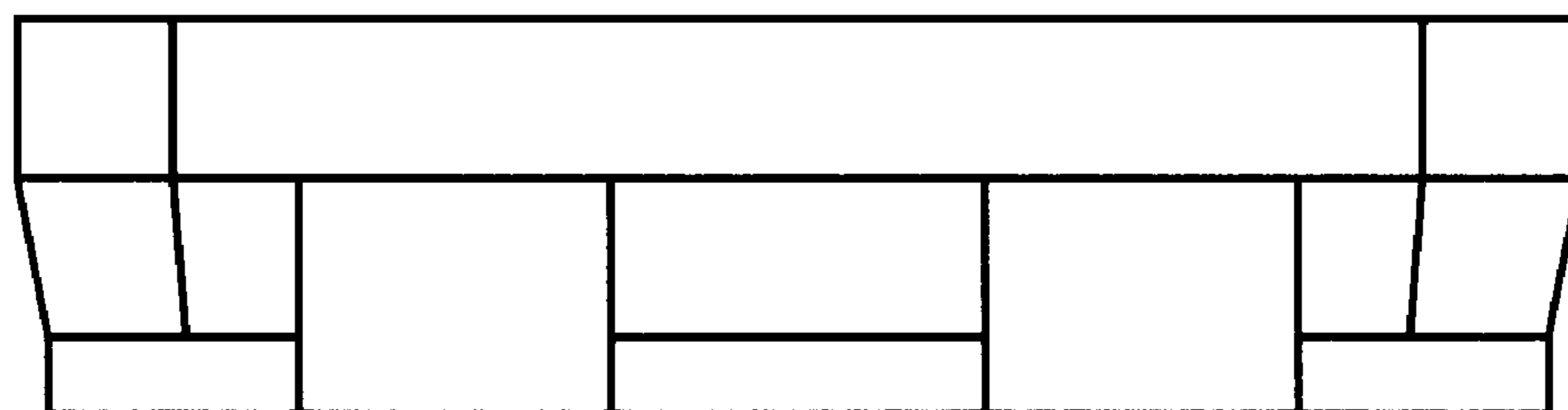


FIG. 7