



US00D521945S

(12) **United States Design Patent** (10) **Patent No.:** **US D521,945 S**
Sorenson (45) **Date of Patent:** ** *May 30, 2006

(54) **ELECTRICAL ROCKER SWITCH ACTUATOR**

(75) Inventor: **Richard Sorenson**, Stuart, FL (US)

(73) Assignee: **Carling Technologies, Inc.**, Plainville, CT (US)

(*) Notice: This patent is subject to a terminal disclaimer.

(**) Term: **14 Years**

(21) Appl. No.: **29/222,293**

(22) Filed: **Jan. 27, 2005**

(51) **LOC (8) Cl.** **13-03**

(52) **U.S. Cl.** **D13/174; D13/169**

(58) **Field of Classification Search** D13/169, D13/171, 170, 174; 174/57, 66; 200/6 R, 200/437, 457, 525, 553, 218, 277.2, 296, 200/297, 295, 302.3, 303, 310, 315, 329, 200/330, 331, 332.1, 333, 335; 307/141, 307/157

See application file for complete search history.

(56) **References Cited**

U.S. PATENT DOCUMENTS

- | | | | | | |
|------------|---|---------|-----------------|-------|---------|
| D328,454 S | * | 8/1992 | Sorenson et al. | | D13/174 |
| D341,568 S | * | 11/1993 | Sorenson et al. | | D13/174 |
| D403,306 S | * | 12/1998 | LeClair et al. | | D13/169 |
| D454,120 S | * | 3/2002 | Sadowski et al. | | D13/174 |
| D458,231 S | * | 6/2002 | Errato | | D13/169 |

* cited by examiner

*Primary Examiner—Stella Reid
Assistant Examiner—Selina Sikder*

(74) *Attorney, Agent, or Firm—McCormick, Paulding & Huber LLP*

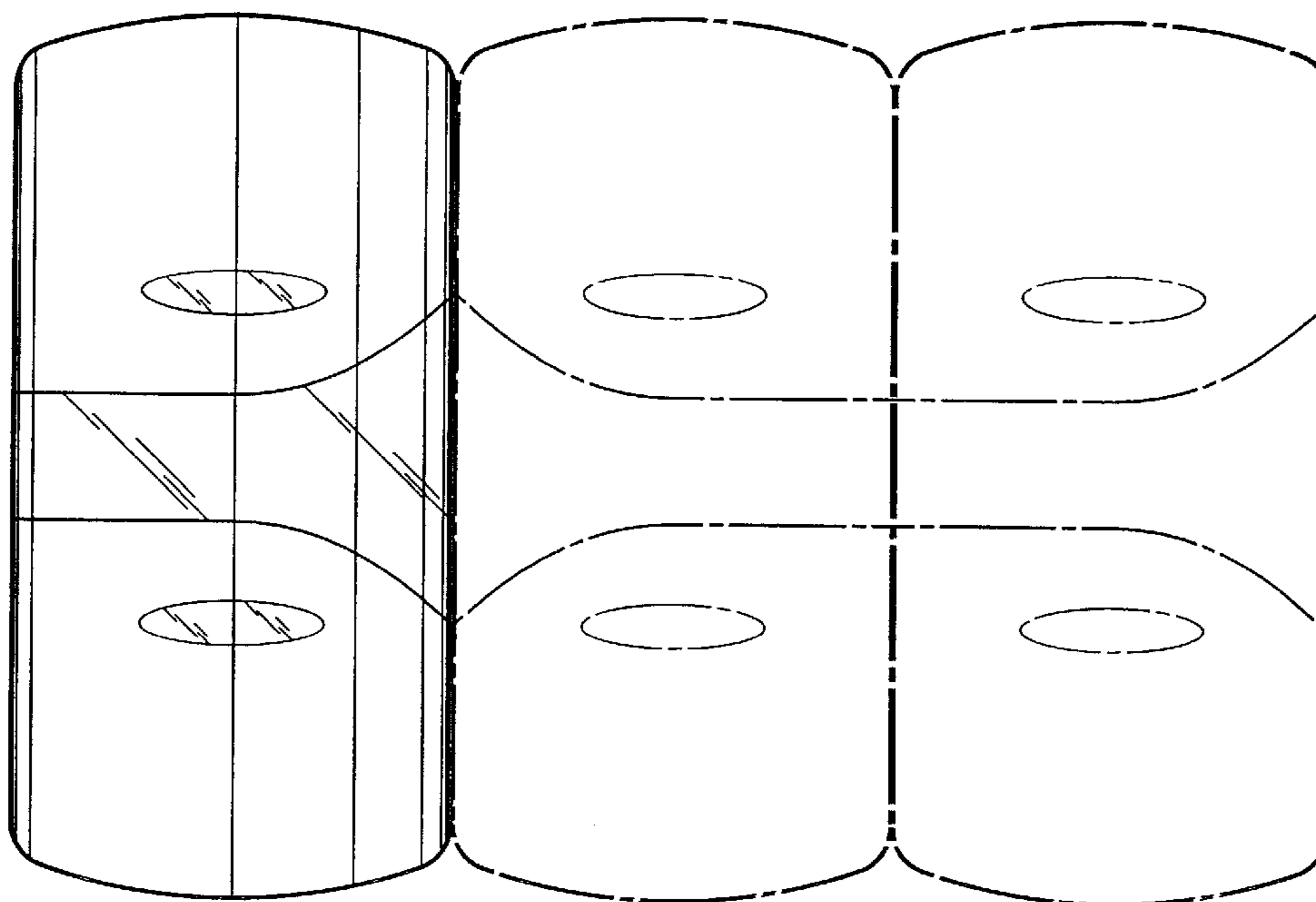
(57) **CLAIM**

The ornamental design for an electrical rocker switch actuator, as shown and described.

DESCRIPTION

FIG. 1 is a top plan view of a first embodiment of an electrical rocker switch showing my new design; FIG. 2 is a left side elevational view thereof; FIG. 3 is a right side elevational view thereof; FIG. 4 is an end elevational view thereof, the opposite end being a mirror image; FIG. 5 is a top plan view of a second embodiment; FIG. 6 is a left side elevational view thereof; FIG. 7 is a right side elevational view thereof; FIG. 8 is an end elevational view thereof; and FIG. 9 is an opposite end elevational view thereof; FIG. 10 is a top plan view of a third embodiment; FIG. 11 is a left side elevational view thereof; FIG. 12 is a right side elevational view thereof; FIG. 13 is an end view thereof, the opposite end view being a mirror image; FIG. 14 is a top plan view of a fourth embodiment; FIG. 15 is a left side elevational view thereof the right side being identical thereto; FIG. 16 is an end elevational view thereof; and, FIG. 17 is an opposite end elevational view thereof. The broken/phantom lines show the environment of my invention and, is provided for illustrative purposes only and forms no part of the claimed design.

1 Claim, 4 Drawing Sheets



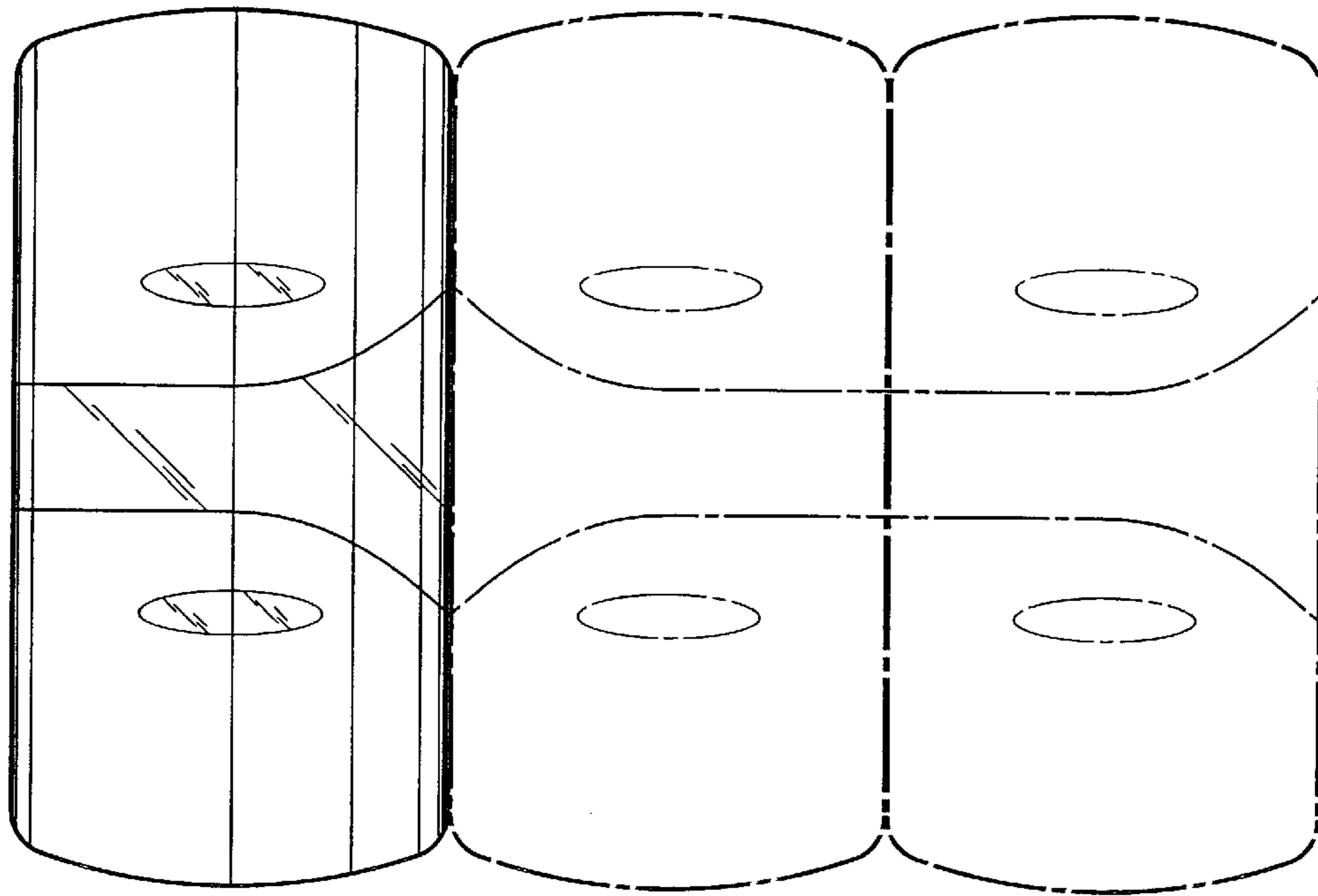


FIG. 1

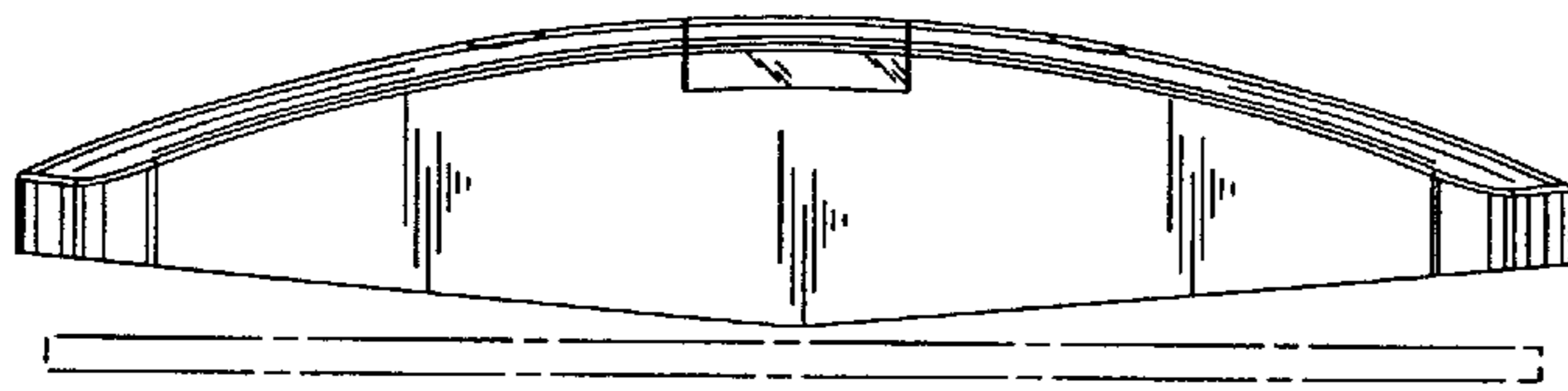


FIG. 2

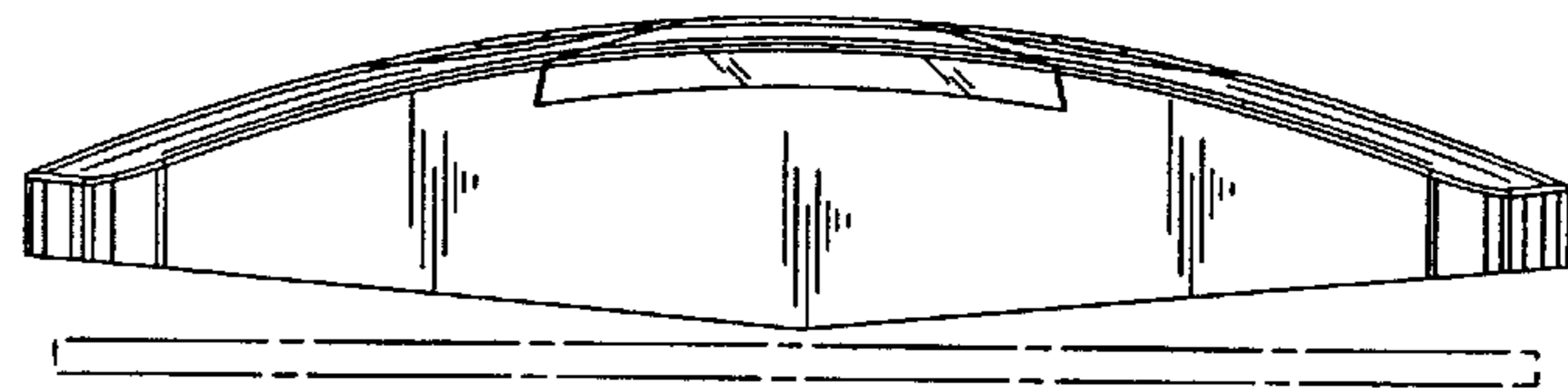


FIG. 3

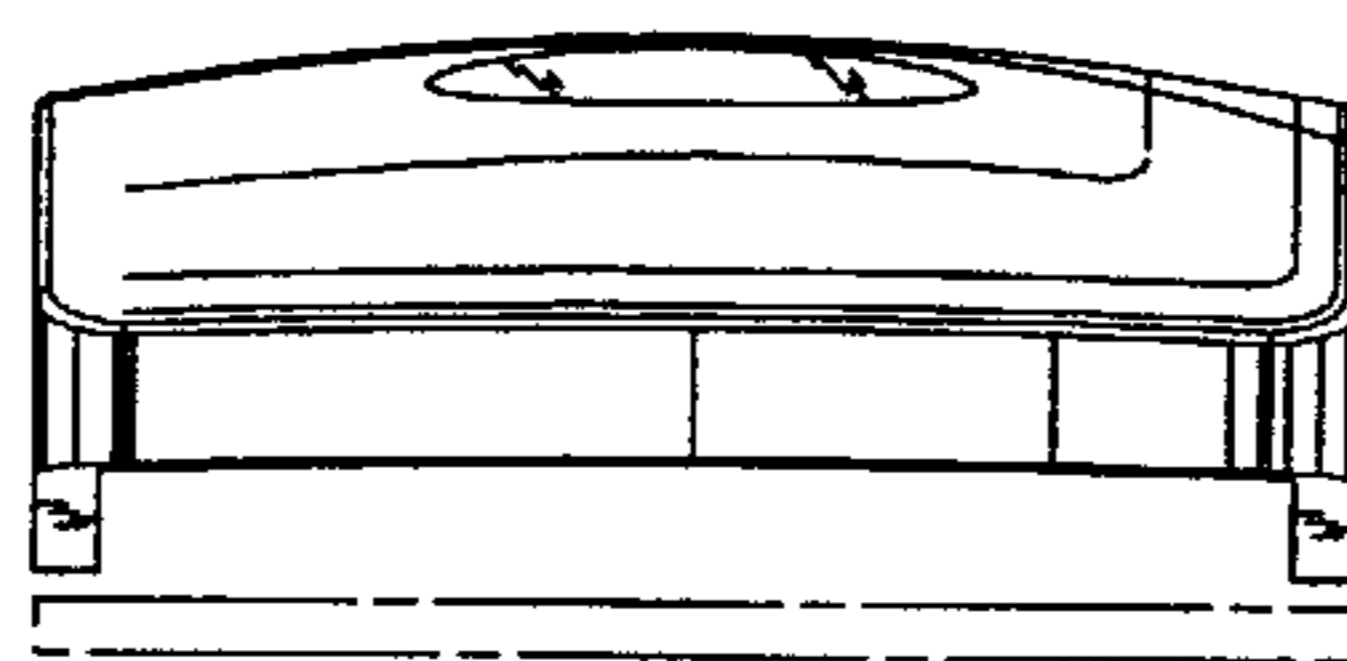


FIG. 4

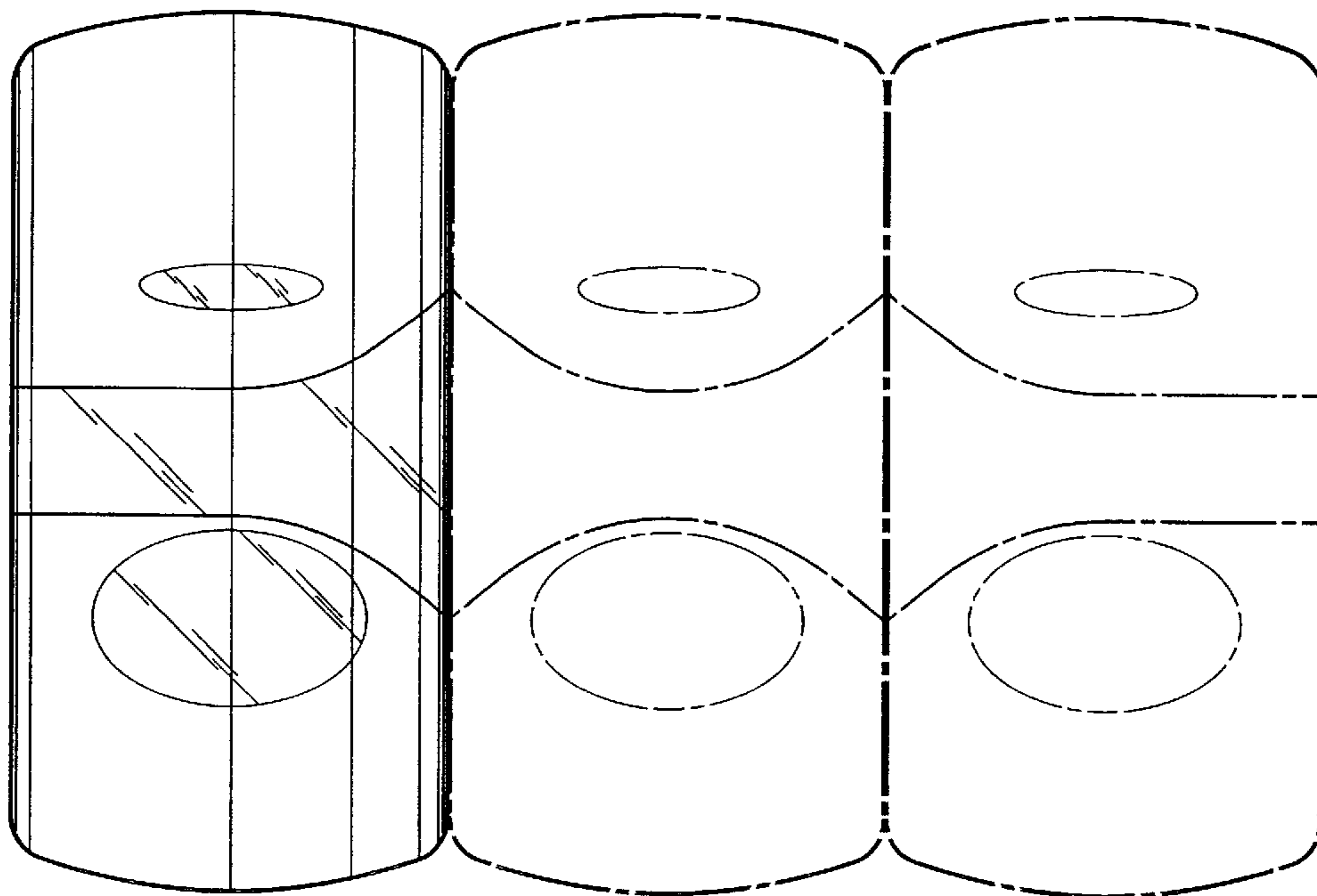


FIG. 5

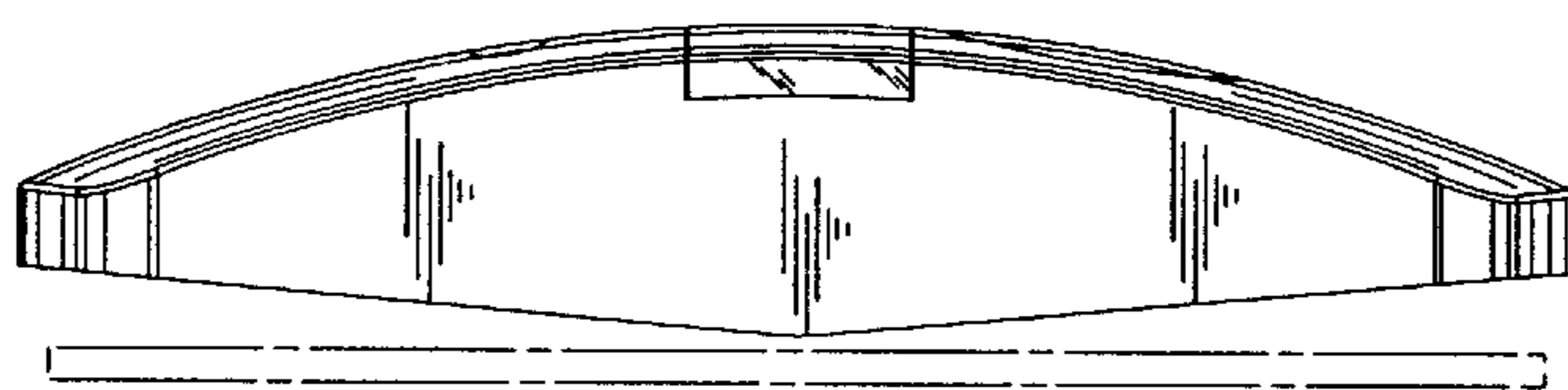


FIG. 6

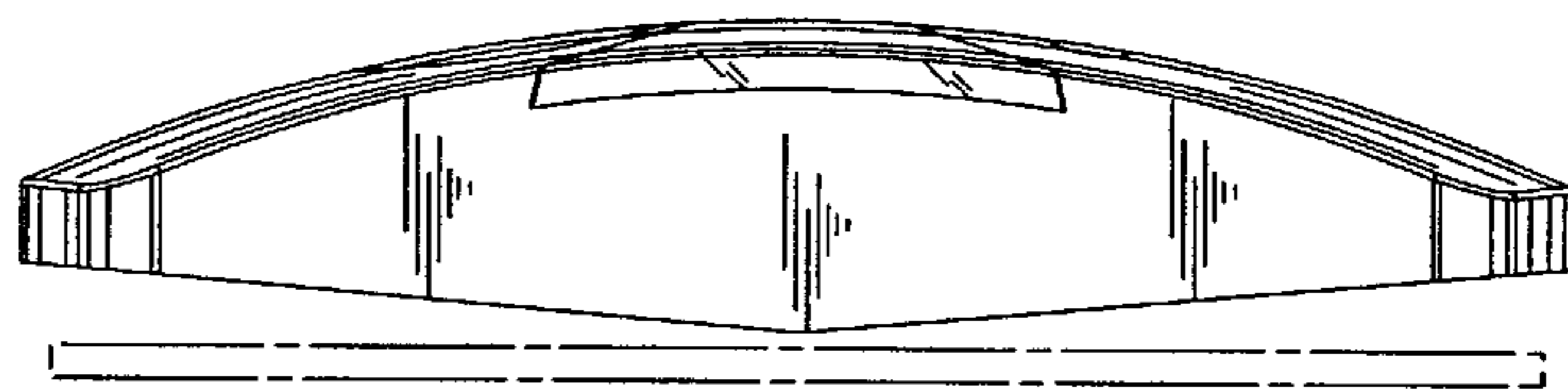


FIG. 7

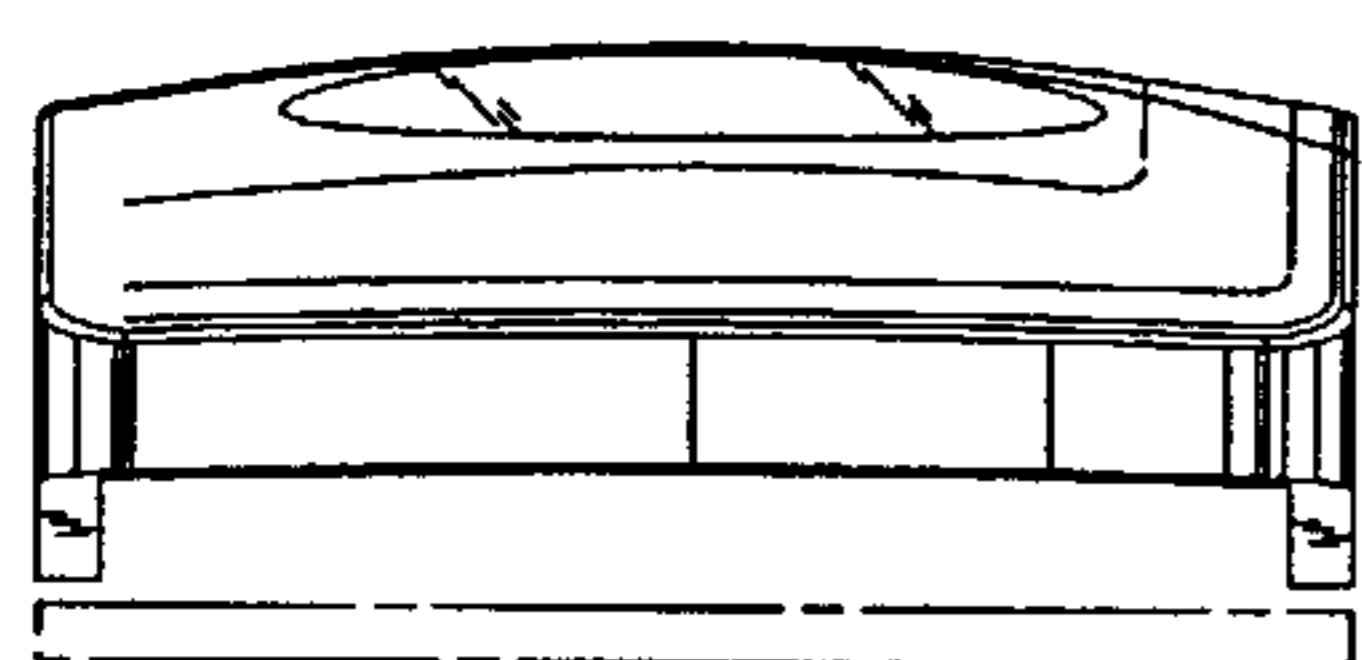


FIG. 8

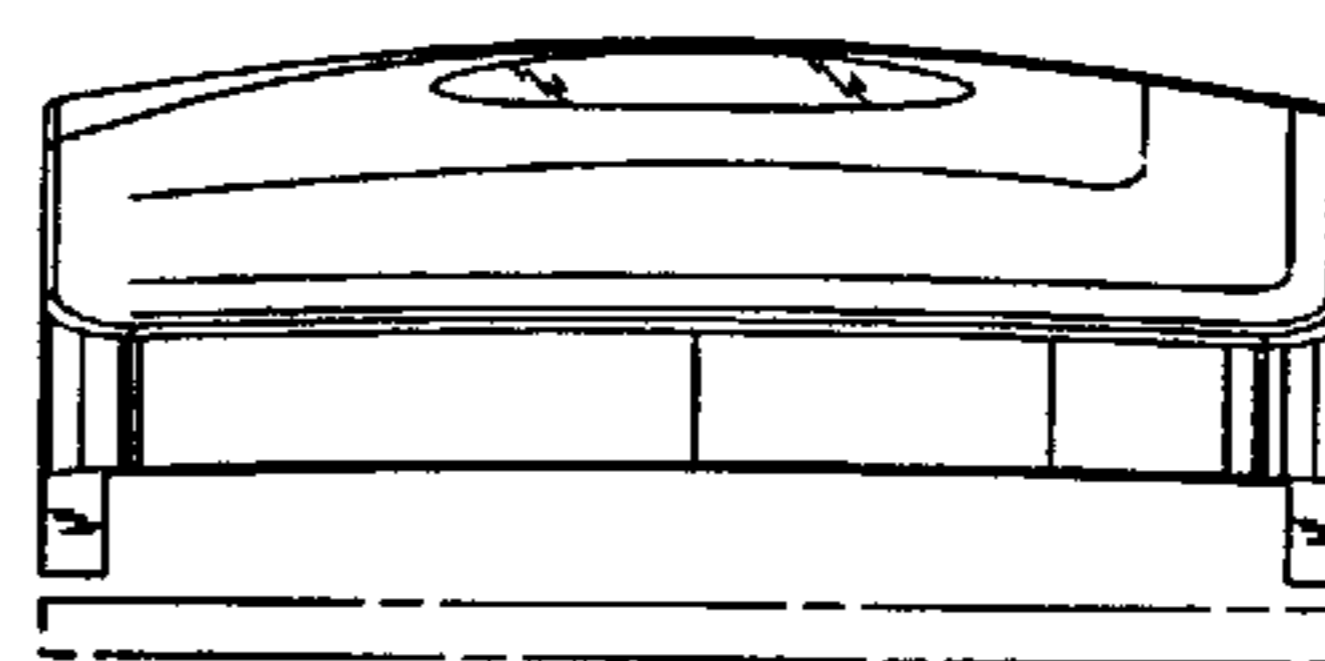


FIG. 9

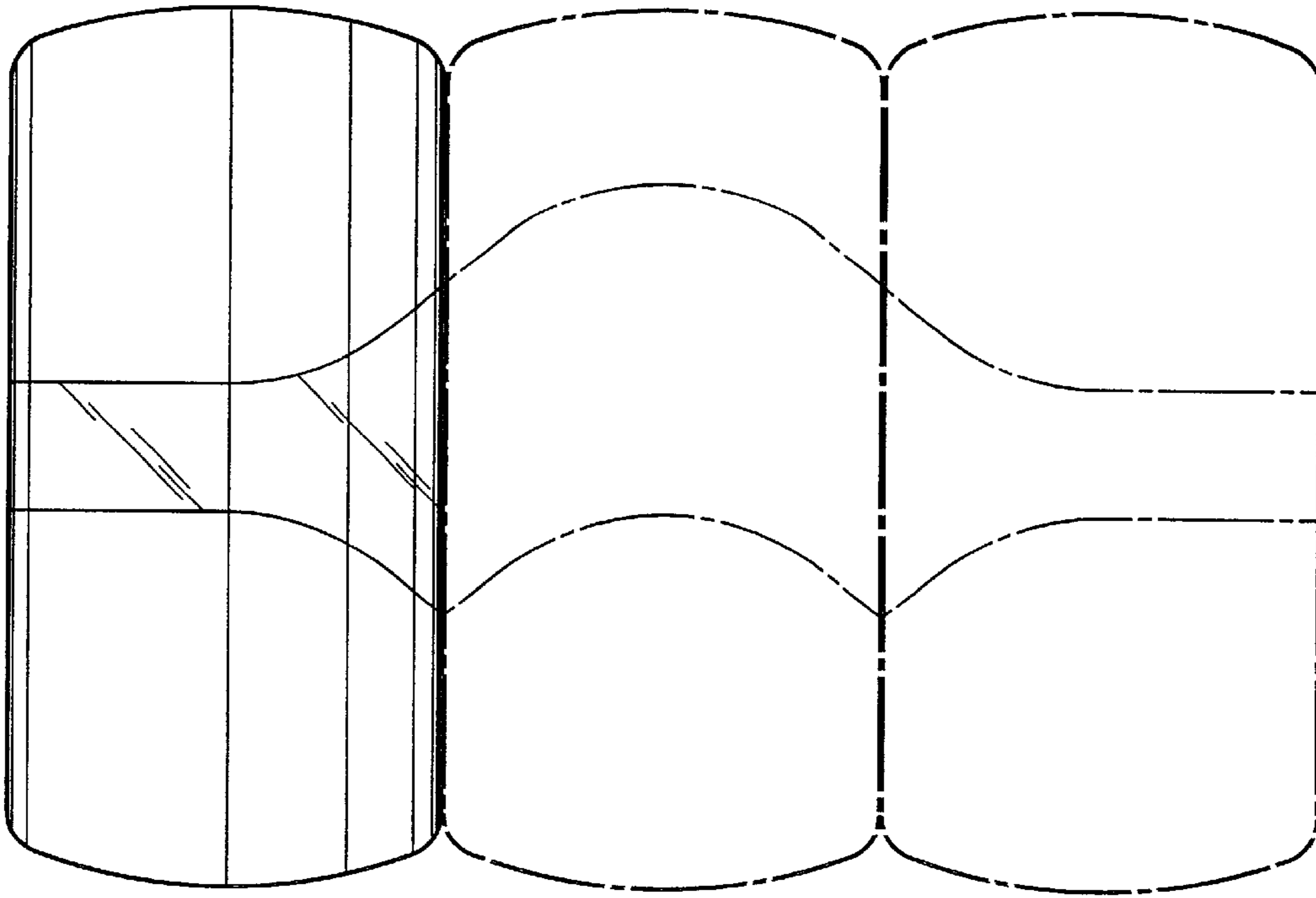


FIG. 10

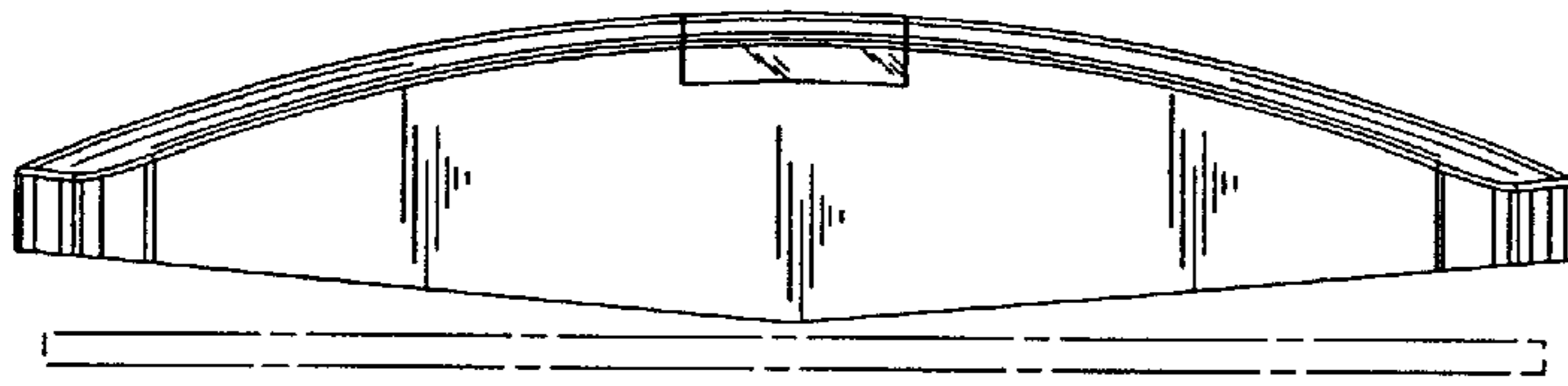


FIG. 11

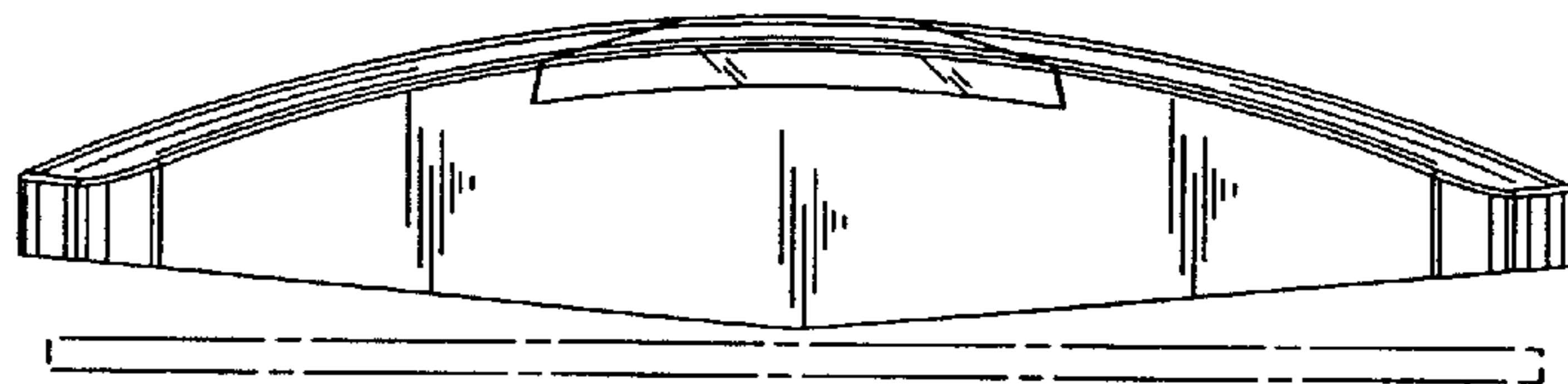


FIG. 12

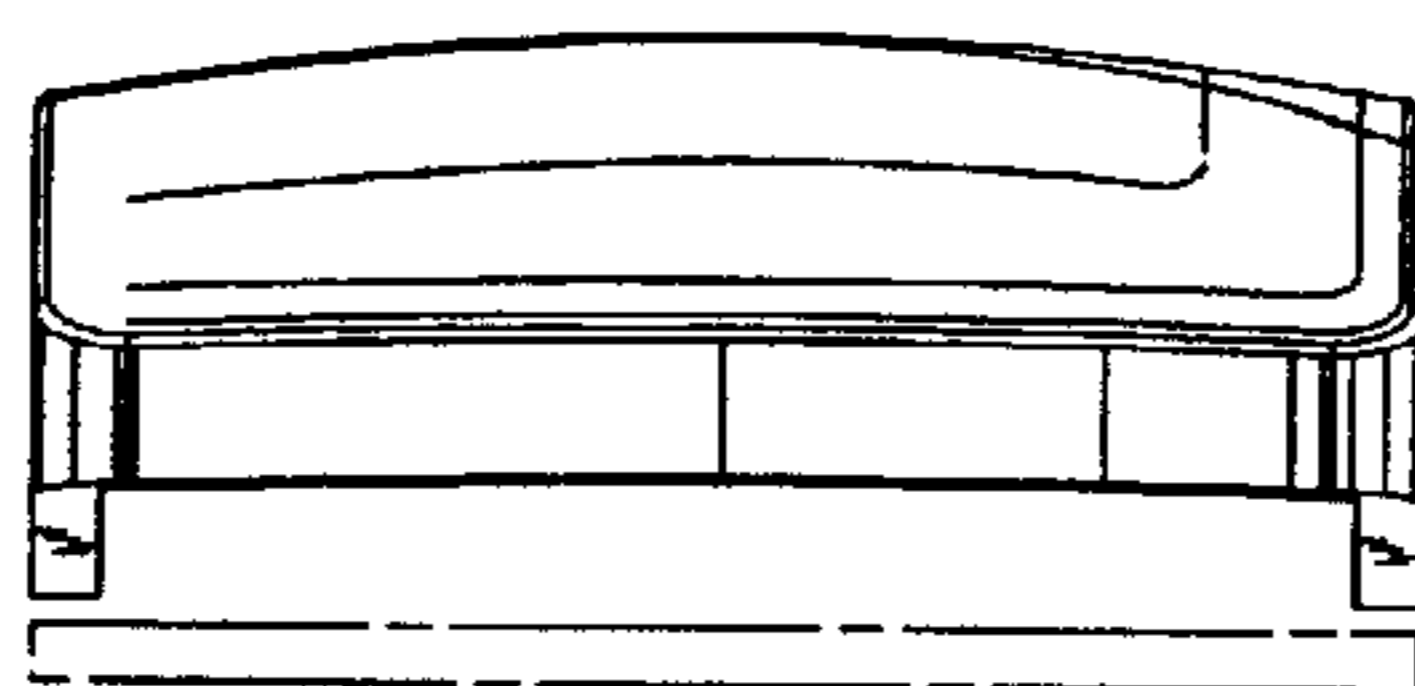


FIG. 13

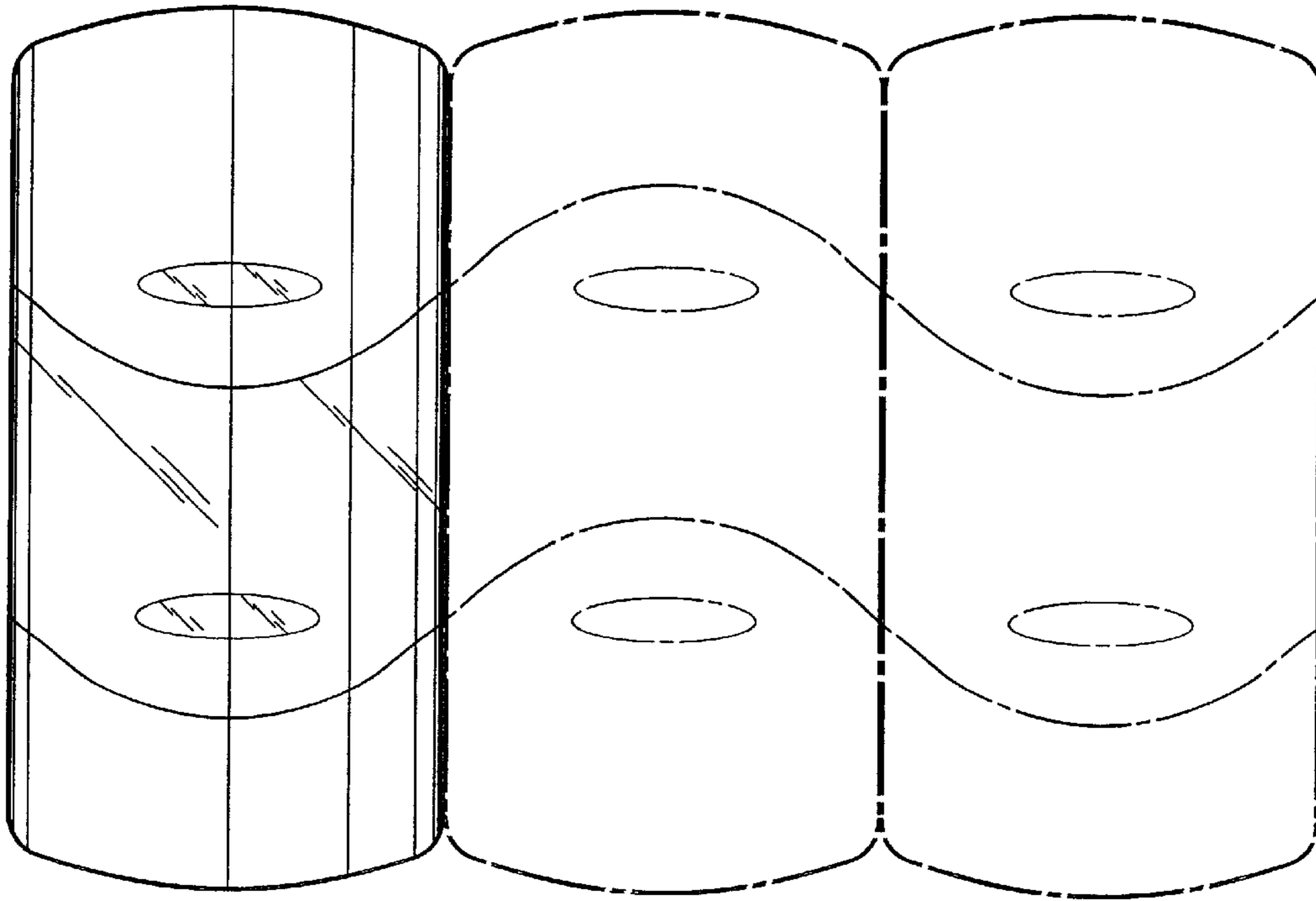


FIG. 14

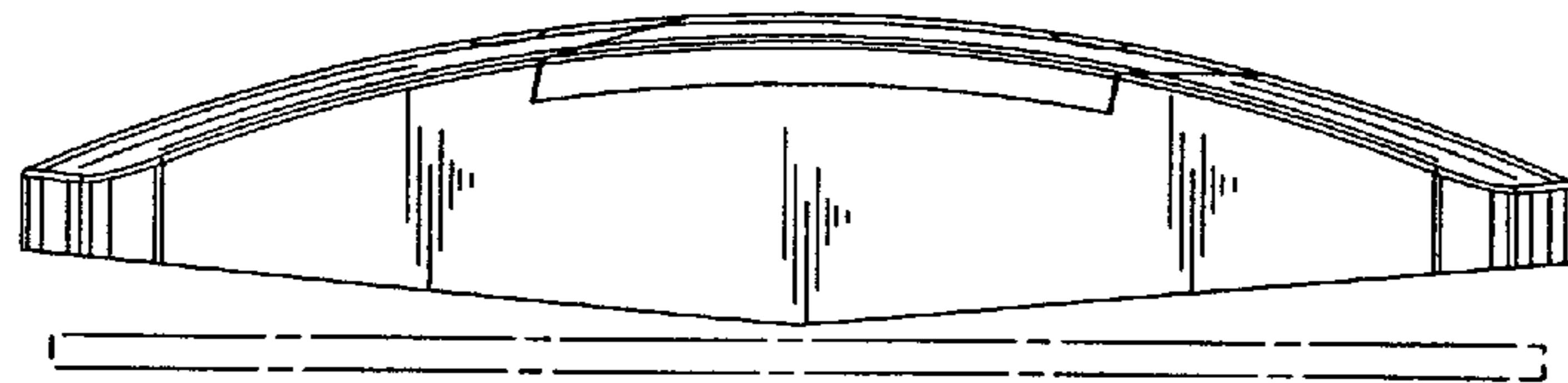


FIG. 15

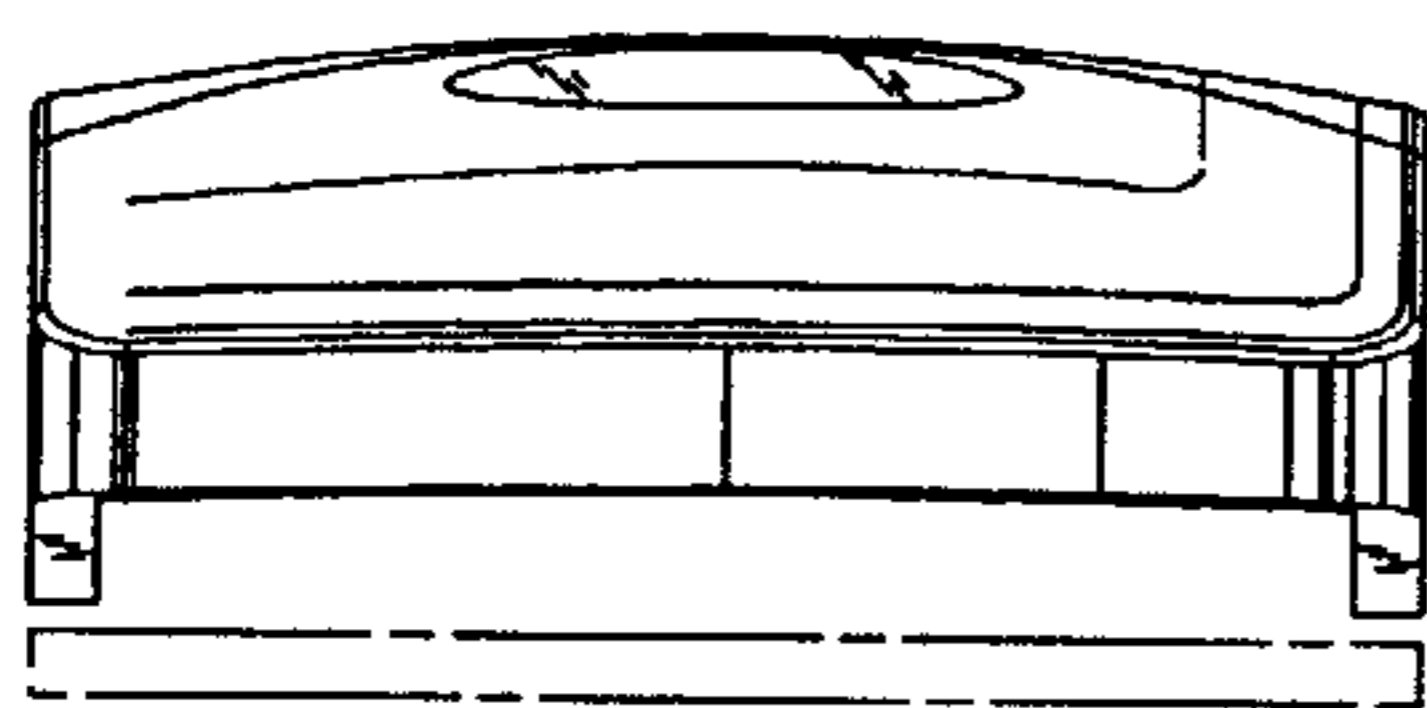


FIG. 16

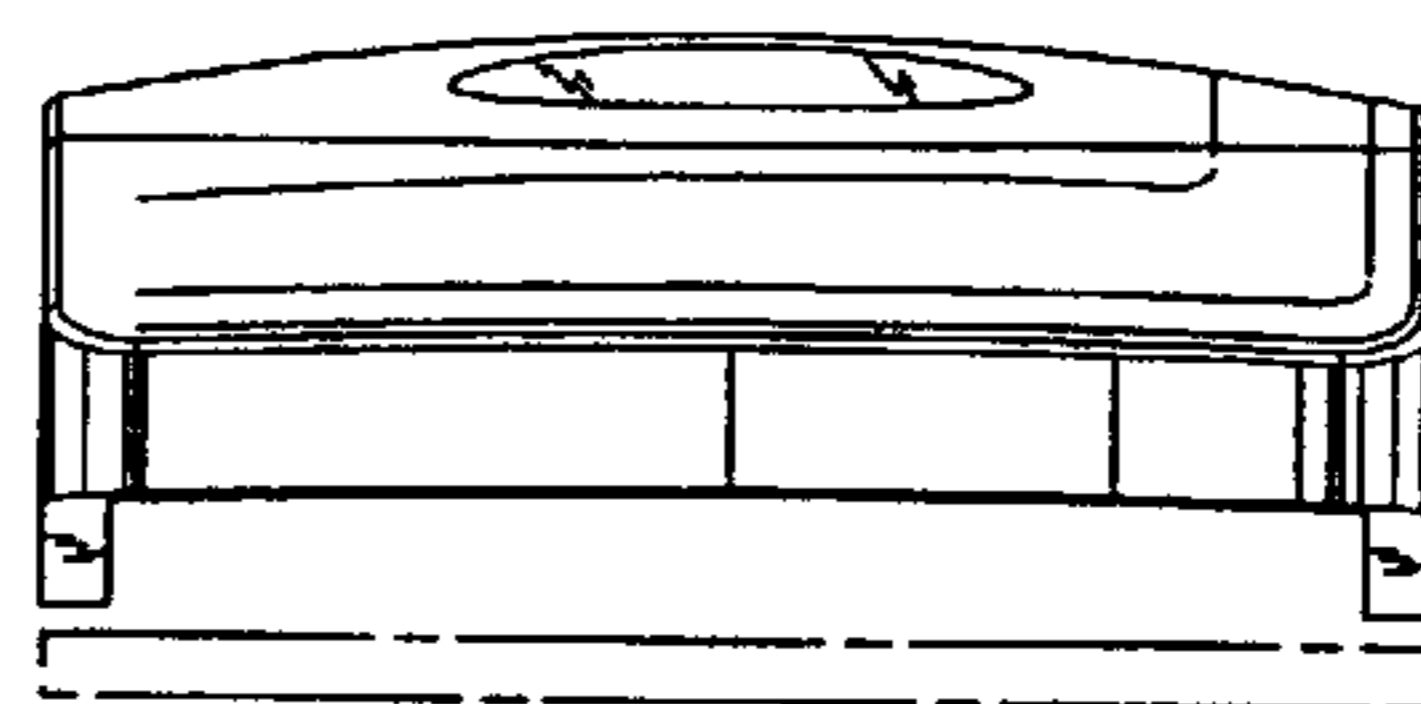


FIG. 17