



US00D521943S

(12) **United States Design Patent**
Betteridge

(10) **Patent No.:** **US D521,943 S**

(45) **Date of Patent:** **** May 30, 2006**

(54) **REMOTE CONTROLLER FOR
ELECTRONIC DEVICES**

D379,460 S * 5/1997 Chang et al. D14/218
D392,642 S * 3/1998 Bickford et al. D14/218

(76) Inventor: **Kathleen S. Betteridge**, 27626 Violin
Canyon Rd. #210, Castaic, CA (US)
91384

* cited by examiner

Primary Examiner—Stella Reid
Assistant Examiner—Selina Sikder

(**) Term: **14 Years**

(74) *Attorney, Agent, or Firm*—Aaron T. Borrowman;
Kelly Lowry & Kelly, LLP

(21) Appl. No.: **29/231,690**

(57) **CLAIM**

(22) Filed: **Jun. 7, 2005**

The ornamental design for a remote controller for electronic devices, as shown and described.

(51) **LOC (8) Cl.** **13-03**

DESCRIPTION

(52) **U.S. Cl.** **D13/168; D14/218**

(58) **Field of Classification Search** D13/168;
D10/104, 106; D14/218, 247; 340/825.22,
340/825.24, 825.25, 825.31, 825.36, 825.69,
340/825.71, 825.72; 341/20, 22, 23, 34, 173,
341/176; 348/734; 455/95, 100, 128, 151.1–151.4,
455/352–355; 463/39

FIG. 1 is a perspective view of the remote controller for electronic devices;

FIG. 2 is a top plan view of the remote controller for electronic devices shown in FIG. 1;

FIG. 3 is a bottom plan view of the remote controller for electronic devices as shown in FIG. 1;

FIG. 4 is a left side elevational view of the remote controller for electronic devices of FIG. 1;

FIG. 5 is a right side elevational view of the remote controller for electronic devices of FIG. 1;

FIG. 6 is a front end view of the remote controller for electronic devices of FIG. 1; and,

FIG. 7 is a rear end view of the remote controller for electronic devices of FIG. 1.

The broken line showing of the environment is for illustrative purposes only and forms no part of the claimed design.

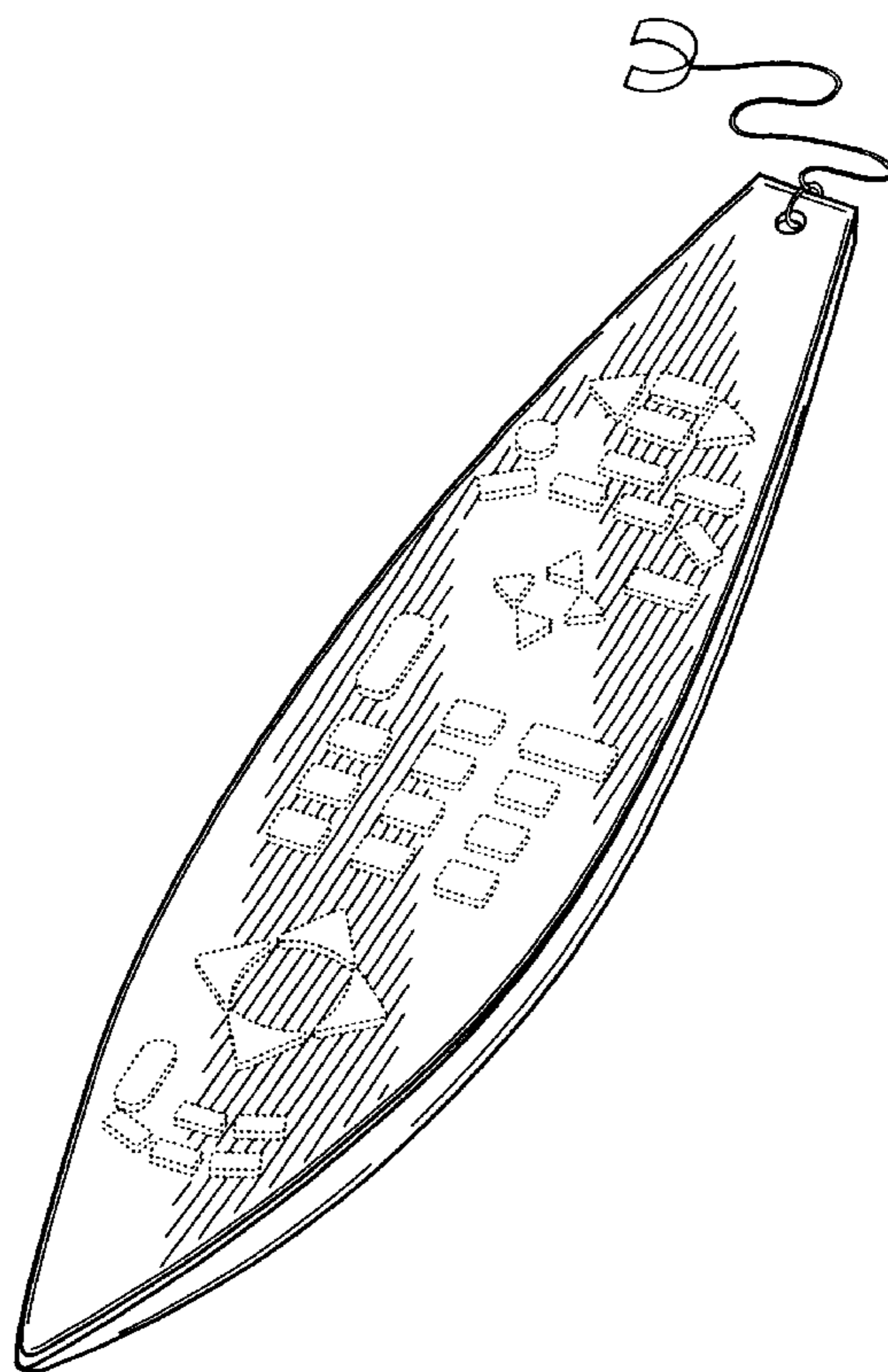
See application file for complete search history.

(56) **References Cited**

U.S. PATENT DOCUMENTS

D368,074 S * 3/1996 Lee et al. D13/168
D377,352 S * 1/1997 Bird et al. D14/218
D378,512 S * 3/1997 Lee et al. D13/168
D378,679 S * 4/1997 Soriano D14/218
D379,184 S * 5/1997 Luciano et al. D14/218

1 Claim, 2 Drawing Sheets



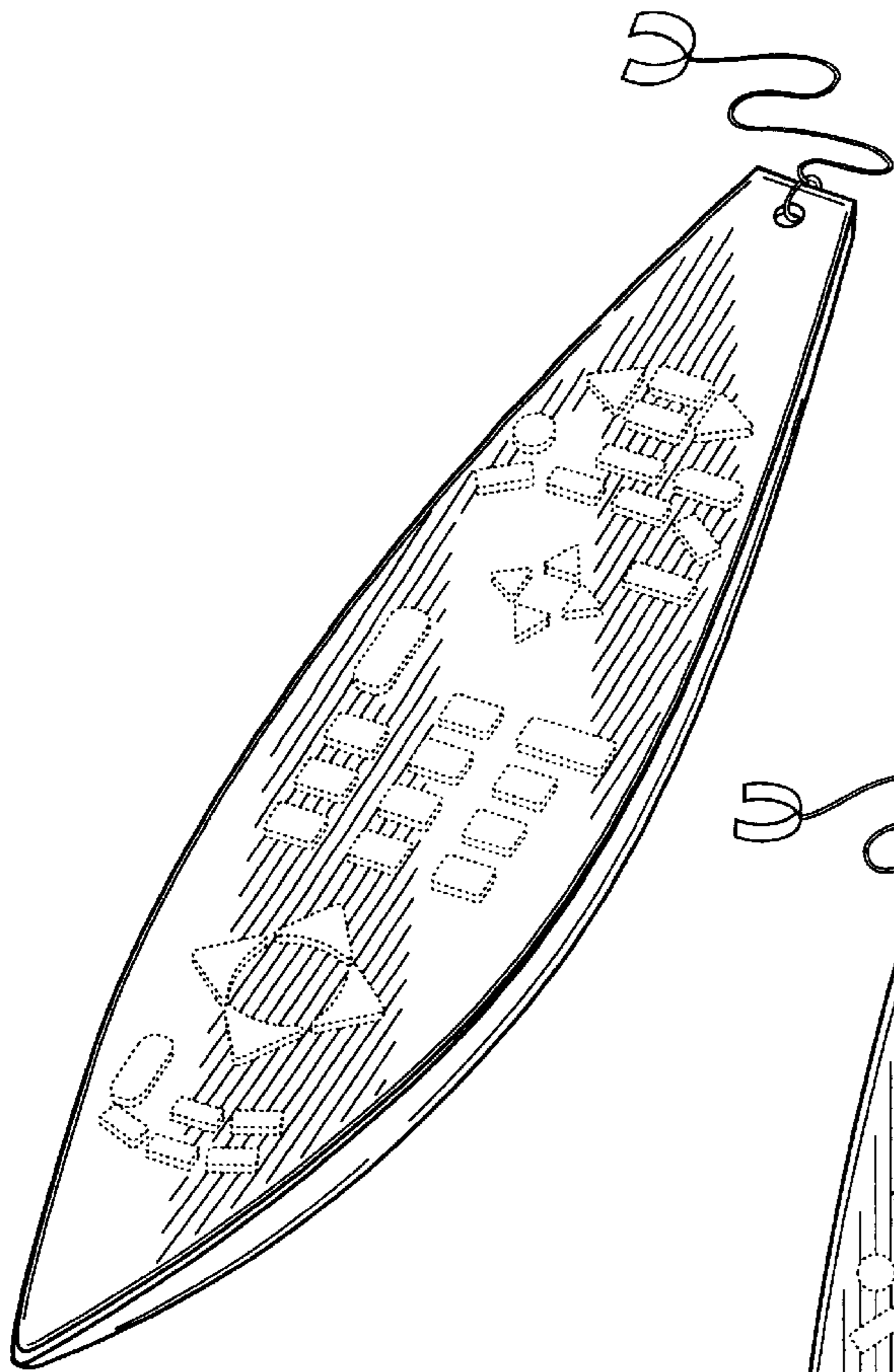


FIG. 1

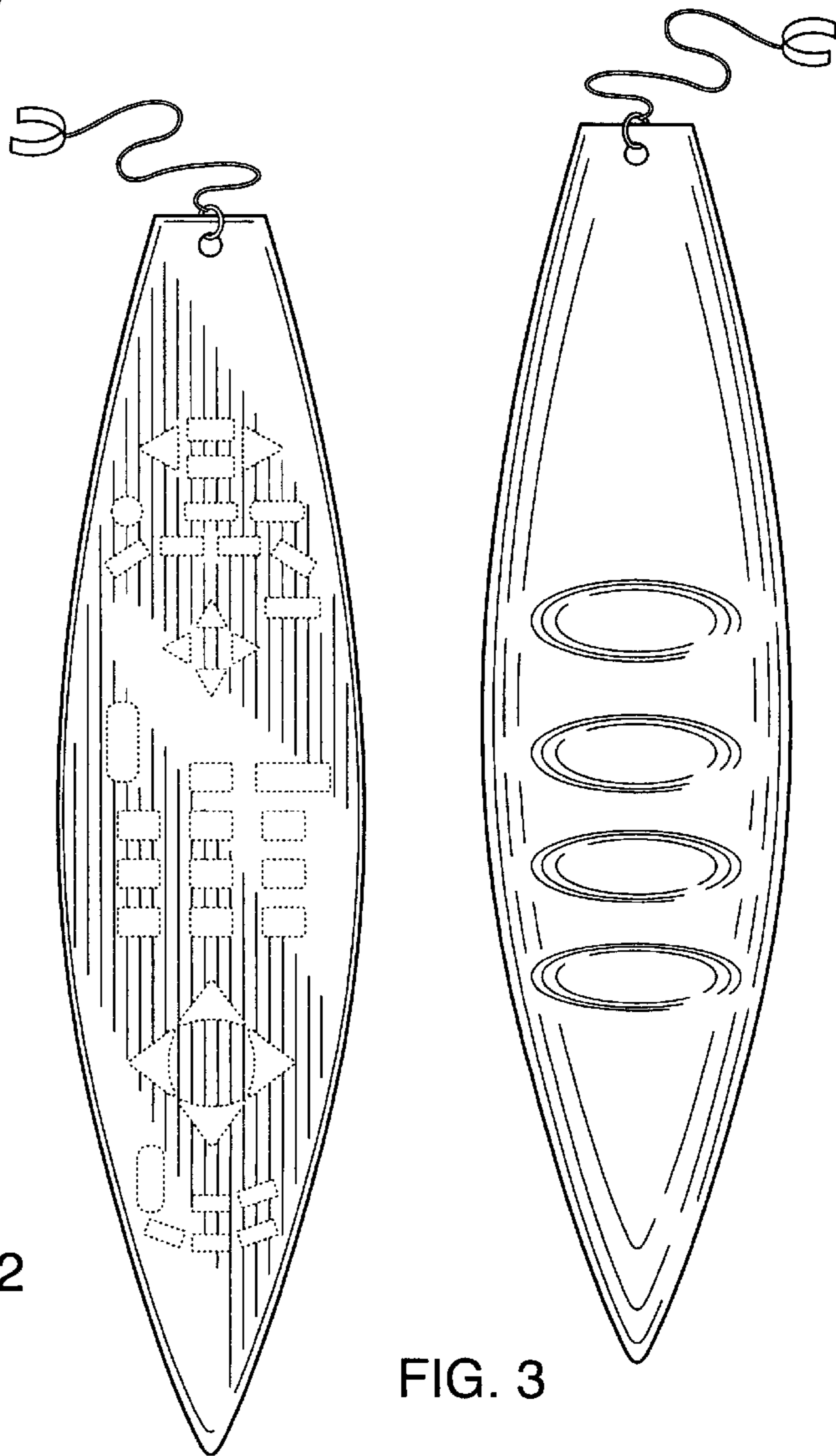


FIG. 2

FIG. 3

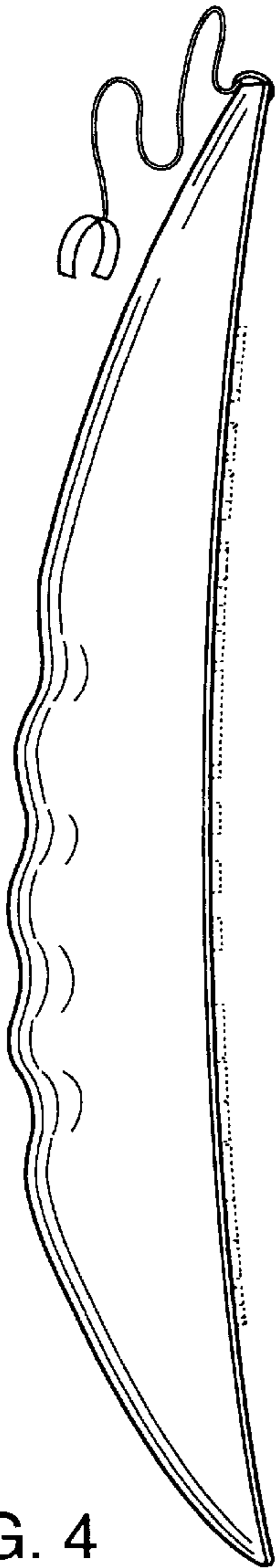


FIG. 4

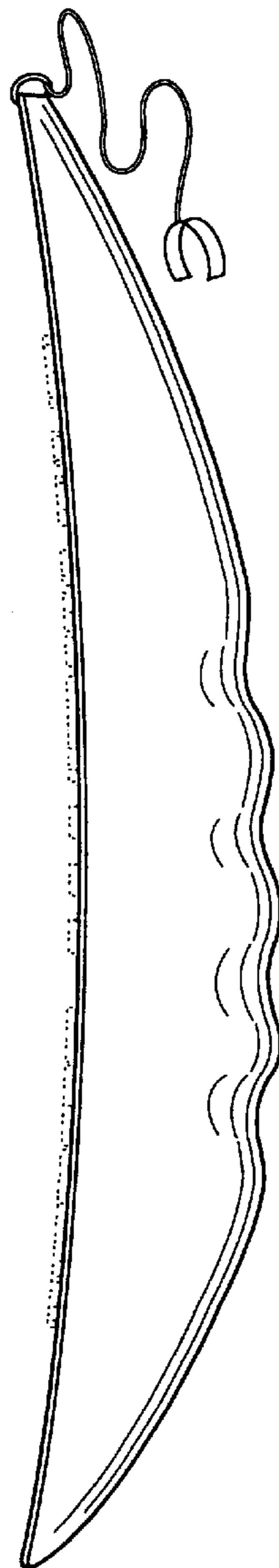


FIG. 5

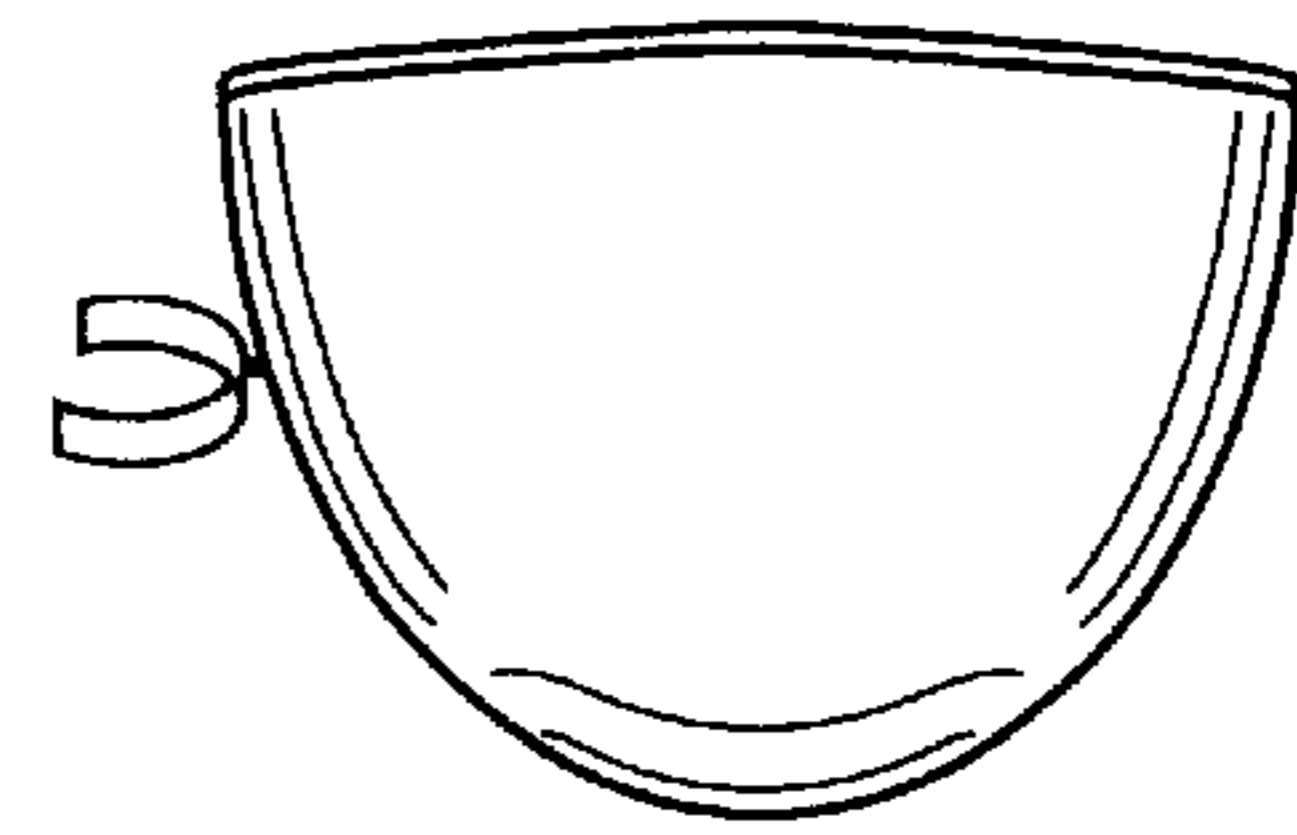


FIG. 6

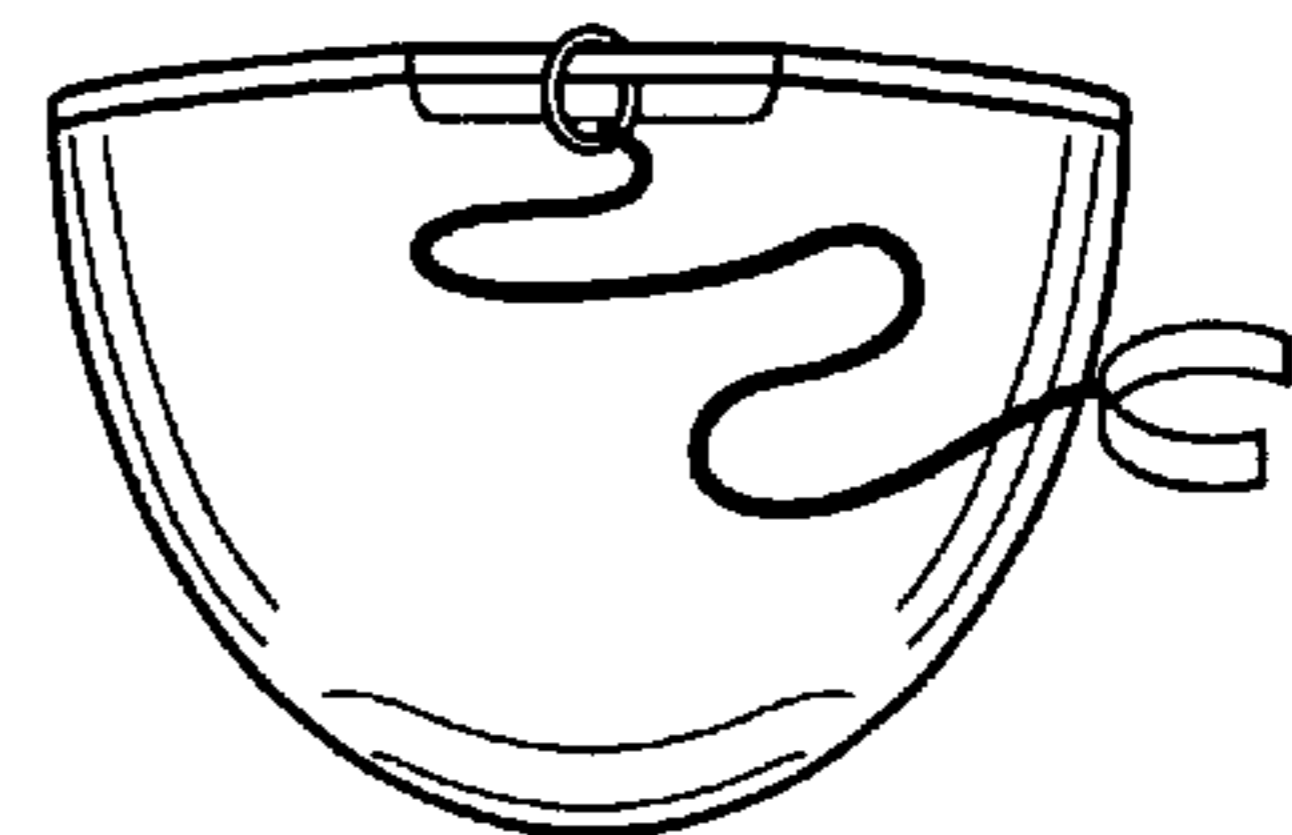


FIG. 7