



US00D521941S

(12) **United States Design Patent**
Phung et al.

(10) **Patent No.:** **US D521,941 S**

(45) **Date of Patent:** **** May 30, 2006**

(54) **CONNECTOR HOUSING CAP**

D481,012 S * 10/2003 Eck D13/156
D484,459 S * 12/2003 Grant et al. D13/133
6,677,530 B1 * 1/2004 Blaha et al. 174/84 R

(75) Inventors: **Phillip Phung**, Kirkland, WA (US);
Jennifer M. Waite, Renton, WA (US);
Max R. Banakar, Bellevue, WA (US);
Patrick S. McNutt, Carnation, WA
(US)

(73) Assignee: **Leviton Manufacturing Co., Inc.**,
Little Neck, NY (US)

(**) Term: **14 Years**

(21) Appl. No.: **29/212,925**

(22) Filed: **Sep. 9, 2004**

(51) **LOC (8) Cl.** **13-03**

(52) **U.S. Cl.** **D13/156**

(58) **Field of Classification Search** D13/154,
D13/156, 184; 174/138 F, 74 A, 74 R, 82;
439/901, 730, 750, 519, 521; 361/669, 823
See application file for complete search history.

(56) **References Cited**

U.S. PATENT DOCUMENTS

D31,044 S	*	6/1899	Perkins	D13/156
D51,893 S	*	3/1918	Temple et al.	D13/156
2,337,781 A	*	12/1943	Stoker	174/74 A
D222,469 S	*	10/1971	Plummer	D13/156
D244,463 S	*	5/1977	Judd	D13/156
4,350,841 A	*	9/1982	Scott	174/87
D293,235 S	*	12/1987	Loof	D13/157
4,761,354 A	*	8/1988	Poe et al.	429/121
D326,259 S	*	5/1992	Studenski	D13/156
D368,250 S	*	3/1996	Castaldo	D13/156

OTHER PUBLICATIONS

Hubbell Incorporated, Hubbell Premier Wiring, Connecting Hardware for Harsh Environments, HI-IMPACT Category 5e Patch Cords, DS-E4, 07/04, 2 pages, Stonington, CT.

* cited by examiner

Primary Examiner—Alan P. Douglas
Assistant Examiner—Rosemary K. Tarcza

(74) *Attorney, Agent, or Firm*—George C. Rondeau, Jr.;
Davis Wright Tremaine LLP

(57) **CLAIM**

The ornamental design for a connector housing cap, as shown and described.

DESCRIPTION

FIG. 1 is a top perspective view of a connector housing cap showing our new design.

FIG. 2 is a bottom perspective view thereof.

FIG. 3 is a top plan view thereof.

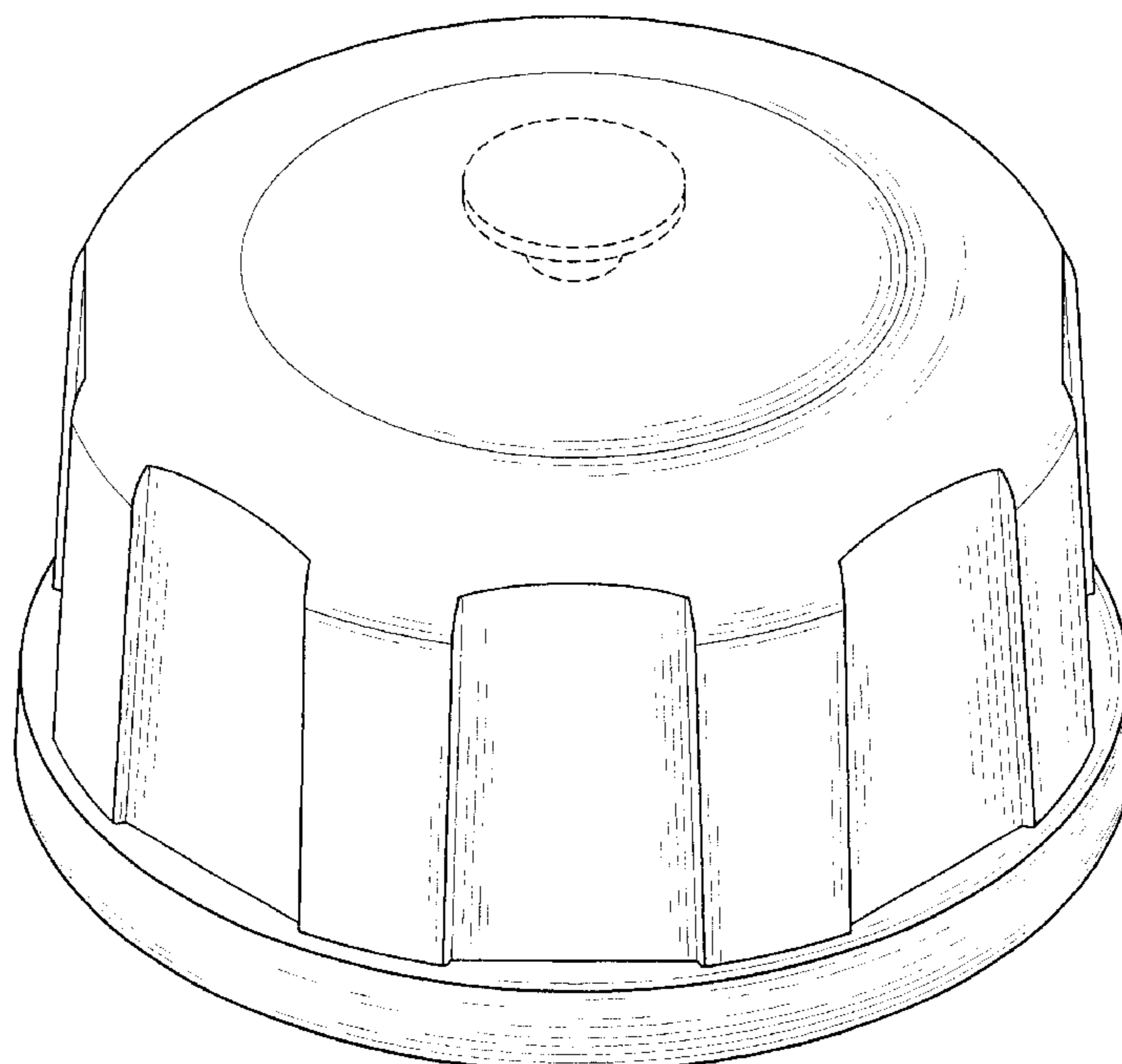
FIG. 4 is a bottom plan view thereof.

FIG. 5 is a left side elevational view thereof, the right side elevational view being a mirror image thereof; and,

FIG. 6 is another left side elevational view thereof rotated from the view of FIG. 5, the rotated right side elevational view being a mirror image thereof.

The broken lines are for illustrative purposes only and form no part of the claimed design.

1 Claim, 5 Drawing Sheets



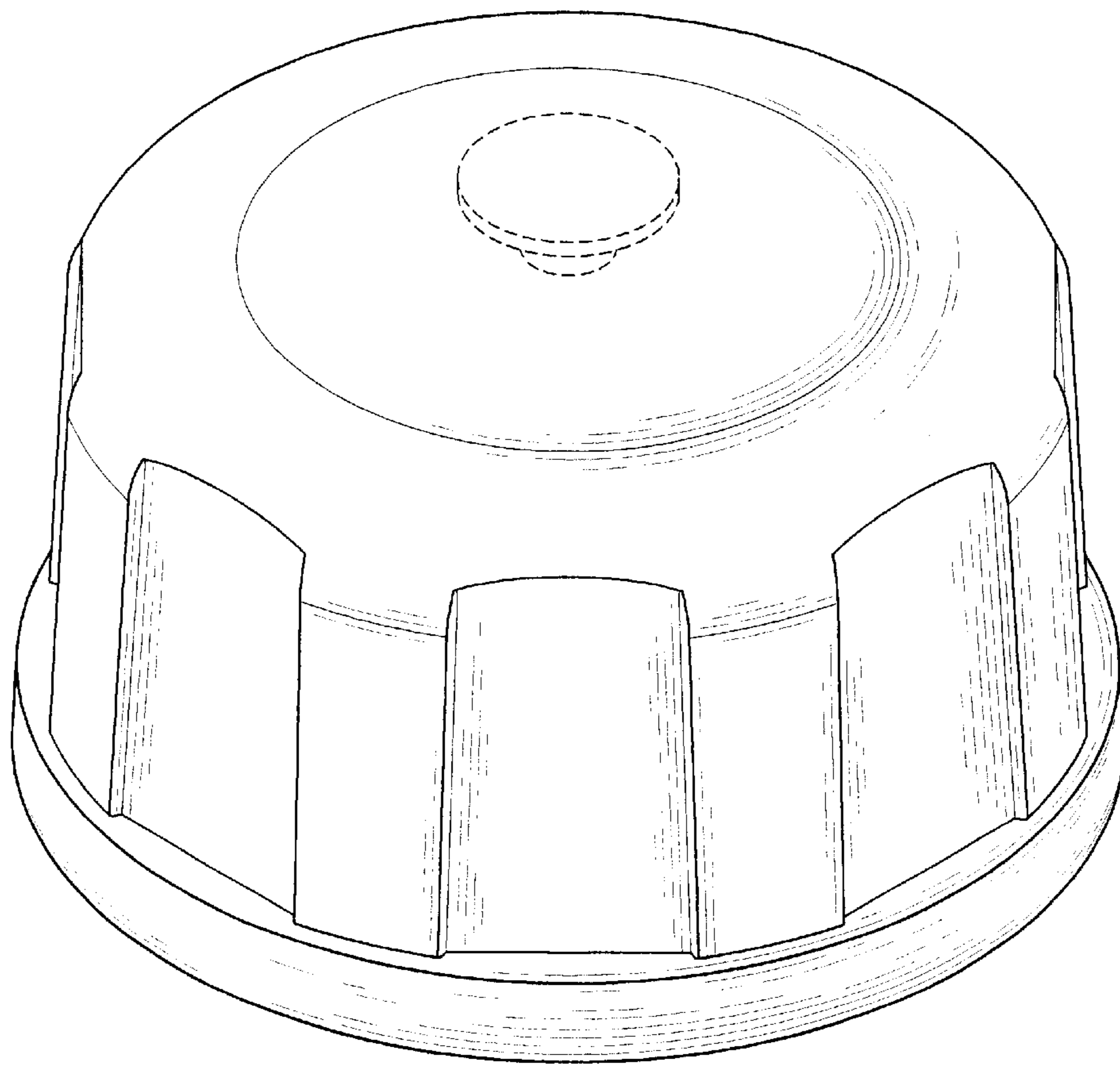


Fig. 1

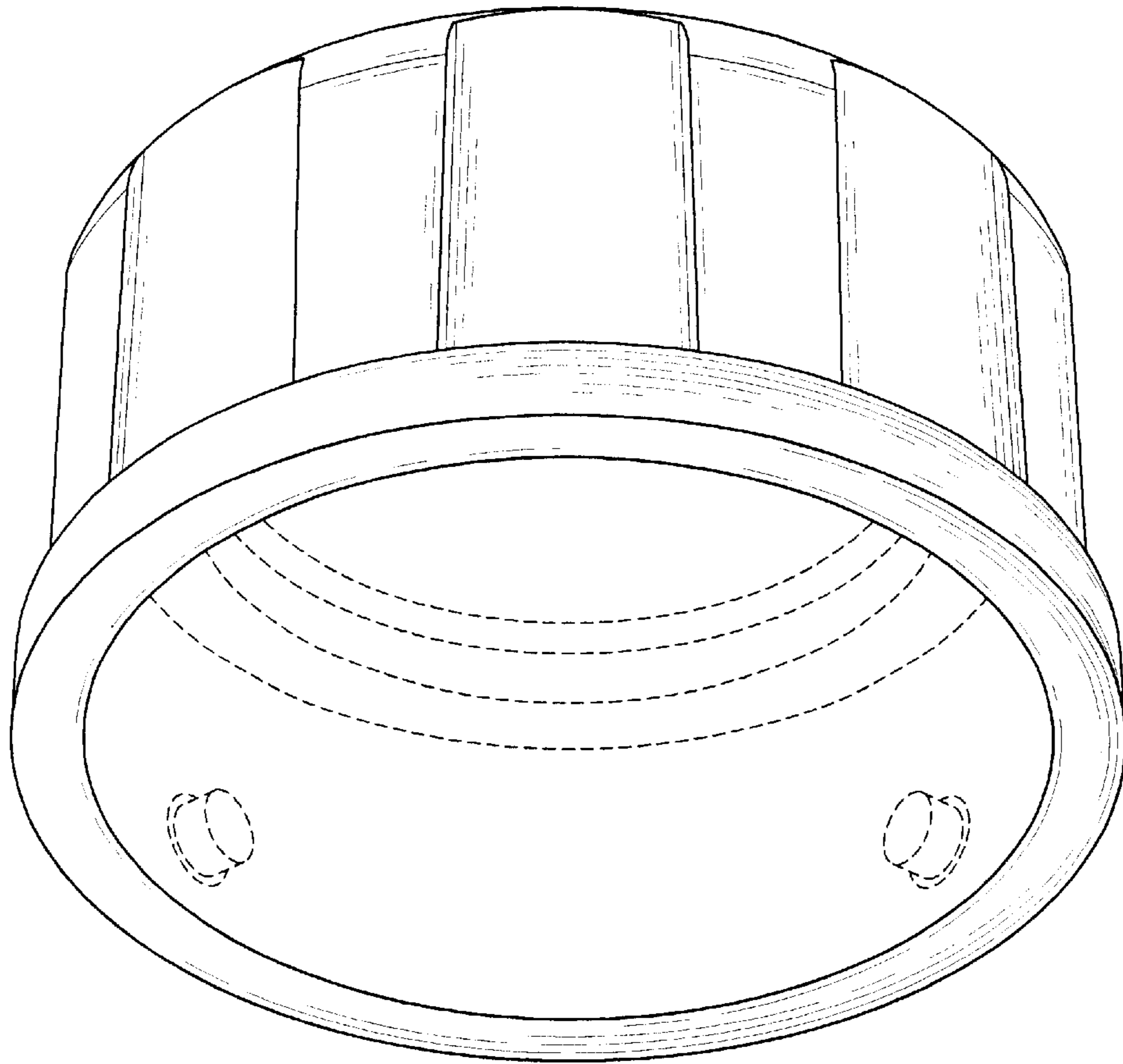


Fig. 2

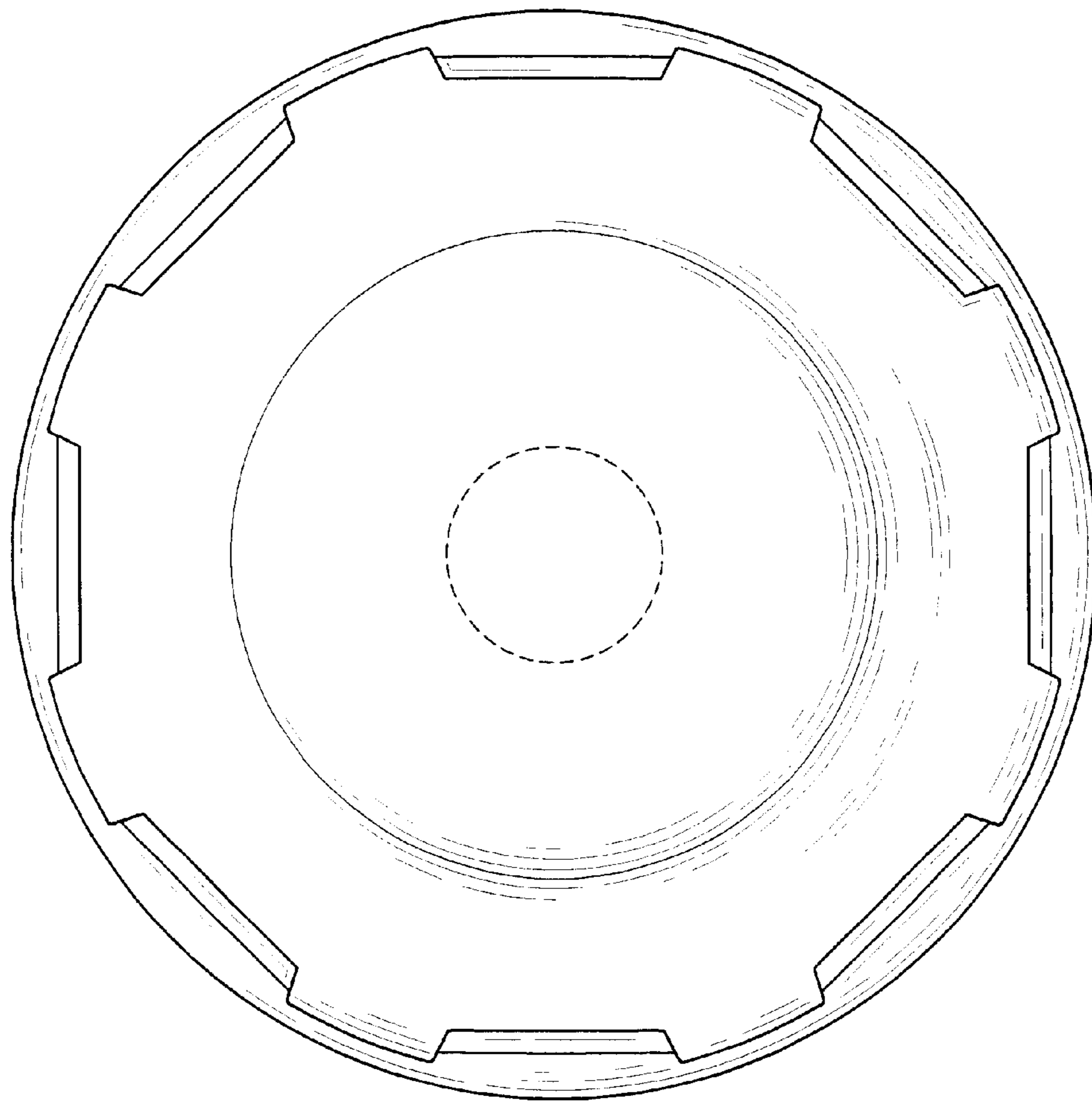


Fig. 3

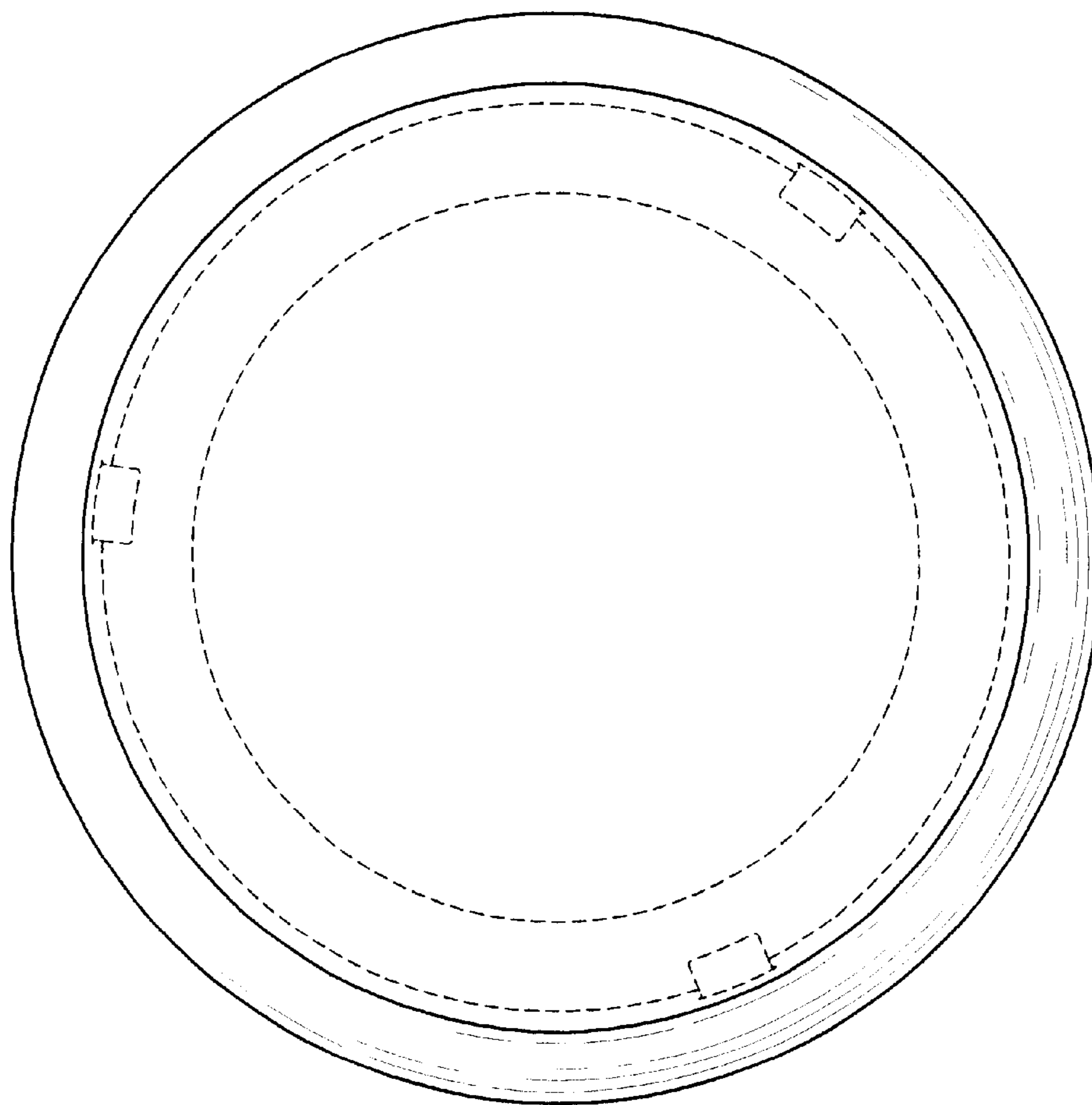


Fig. 4

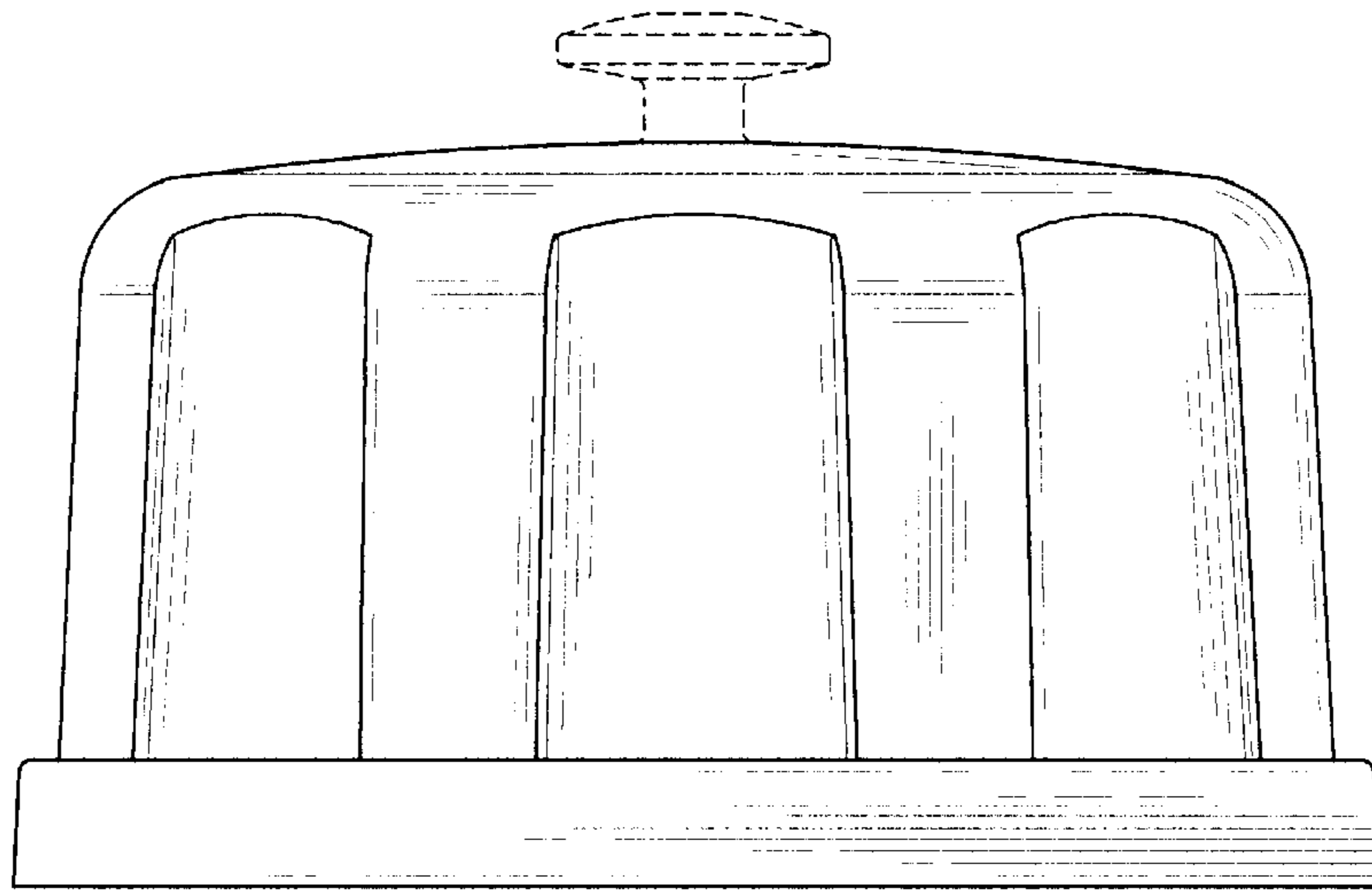


Fig. 5

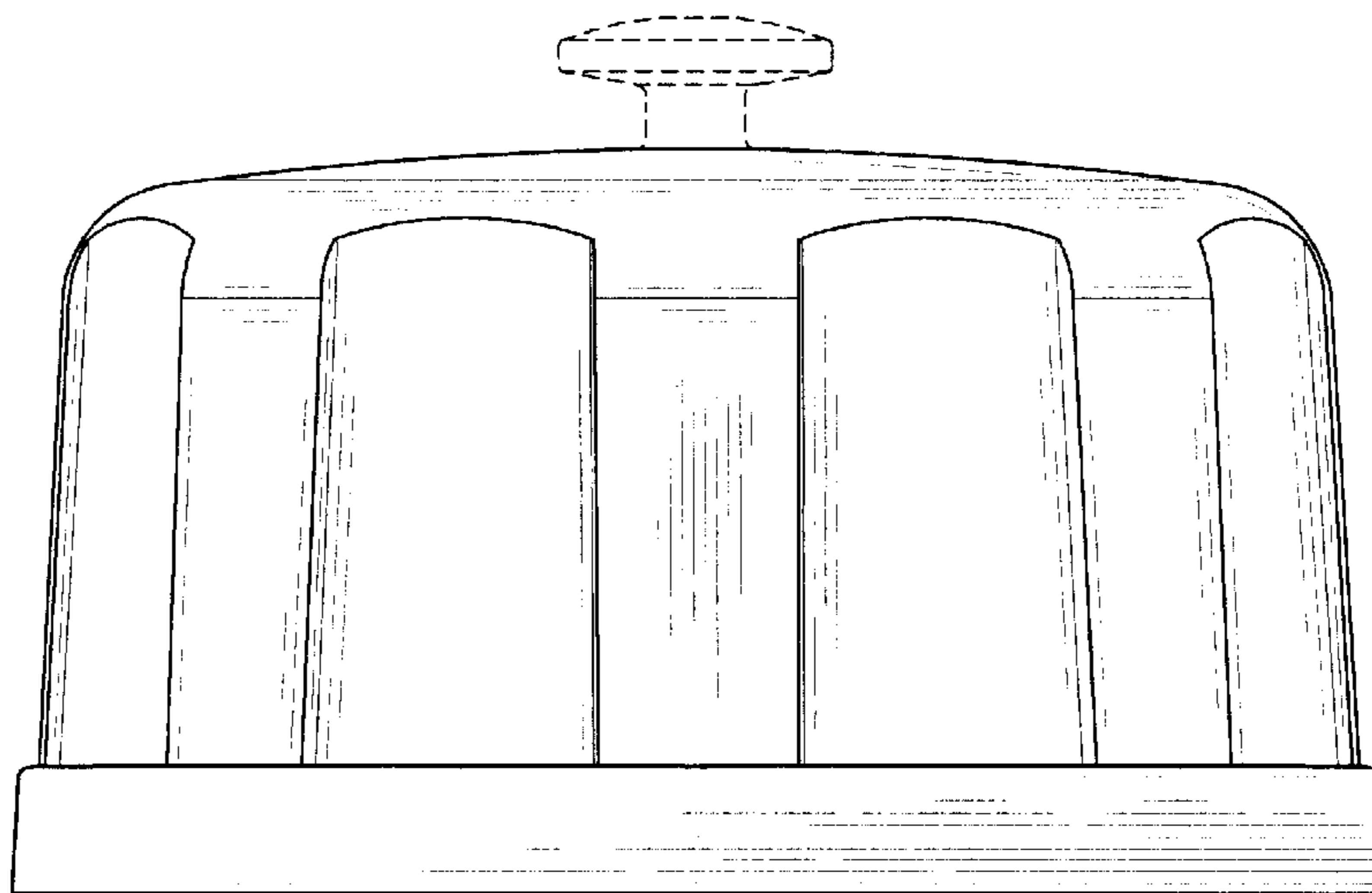


Fig. 6