



US00D521939S

(12) **United States Design Patent** (10) **Patent No.:** **US D521,939 S**
Mahoney (45) **Date of Patent:** **** May 30, 2006**

(54) **HOUSING ASSEMBLY SURFACE CONFIGURATION**

(75) Inventor: **William G. Mahoney**, Suwanee, GA (US)

(73) Assignee: **Scientific-Atlanta, Inc.**, Sugarloaf Parkway

(**) Term: **14 Years**

(21) Appl. No.: **29/204,749**

(22) Filed: **May 4, 2004**

(51) **LOC (8) Cl.** **13-03**

(52) **U.S. Cl.** **D13/151; D13/146; D13/147**

(58) **Field of Classification Search** D13/133, D13/146-147, 154, 184, 199; D14/217, 230, D14/299; 174/52.1, 59, 65 R; 333/100; 439/98, 439/100, 578

See application file for complete search history.

(56) **References Cited**

U.S. PATENT DOCUMENTS

D301,240 S *	5/1989	Chino	D14/217
D301,242 S *	5/1989	Chino	D14/217
5,055,056 A	10/1991	Auclair et al.	439/98
5,364,281 A	11/1994	Leto	439/100
D396,691 S *	8/1998	Shen	D13/147
D400,506 S *	11/1998	Mahoney	D13/146
D404,713 S *	1/1999	Hsiang	D13/147
D408,363 S *	4/1999	Hsiang	D13/151
D410,630 S *	6/1999	Kodaira et al.	D13/151
D437,313 S *	2/2001	Chen et al.	D14/240
D452,681 S *	1/2002	Inoue	D13/151
D452,850 S *	1/2002	Inoue	D13/151
D506,445 S *	6/2005	Mahoney	D13/154
2003/0094299 A1 *	5/2003	Lee	174/59

OTHER PUBLICATIONS

“Motorola Broadband Signal Splitter” Overview, Motorola.com website, Motorola, Inc., 2004, p. 1.

“Motorola Signal Booster” Overview, Motorola.com website, Motorola, Inc., 2004, p. 1.

* cited by examiner

Primary Examiner—Stella Reid

Assistant Examiner—Daniel Bui

(57) **CLAIM**

The ornamental design of a housing assembly surface configuration, as shown and described.

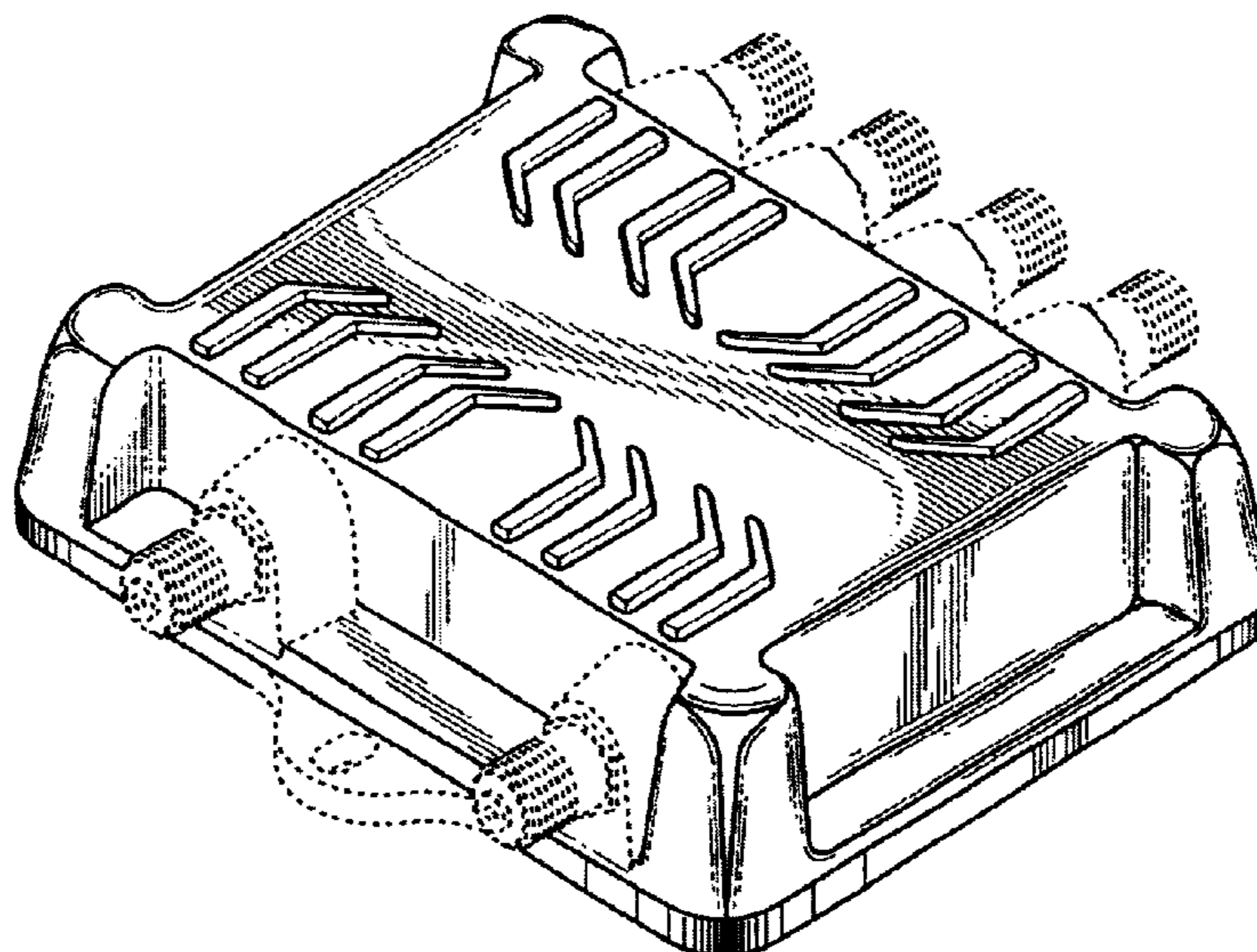
DESCRIPTION

This design application is related to U.S. utility application No. Ser. 10/838,631 entitled “Indicator for Mounting Ground Wire”, U.S. utility application Ser. 10/838,630 entitled “Mounting Tabs Arrangement”, U.S. design application No. Ser. 29/204,788 entitled “Housing Assembly With Ground Wire Connection”, and U.S. design application Ser. No. 29/204,750 entitled “Ground Wire Connection Portion”, all to the same inventor, which are incorporated herein by reference, and having been filed concurrently with the present design application.

FIG. 1 is a perspective view of a new housing assembly surface configuration according to the present invention; FIG. 2 is a front view of the design shown in FIG. 1; FIG. 3 is a rear view of the design shown in FIG. 1; FIG. 4 is a side view of the design shown in FIG. 1; FIG. 5 is a top view of the design shown in FIG. 1; and, FIG. 6 is a bottom view of the design shown in FIG. 1.

The broken lines in the drawings are for illustrative purposes only and form no part of the claimed design the dash-dot lines represent the boundaries of the claimed design.

1 Claim, 3 Drawing Sheets



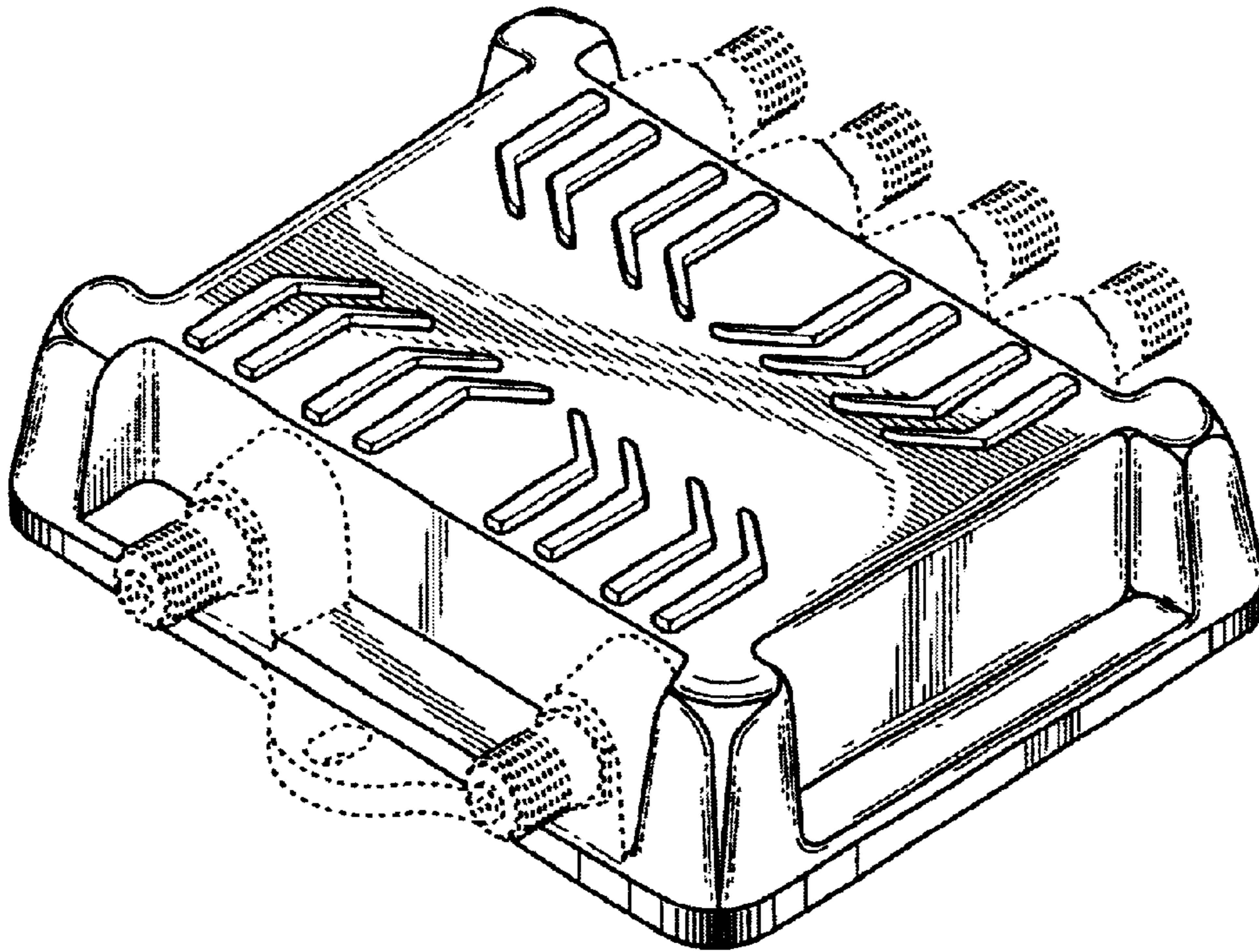


Fig. 1

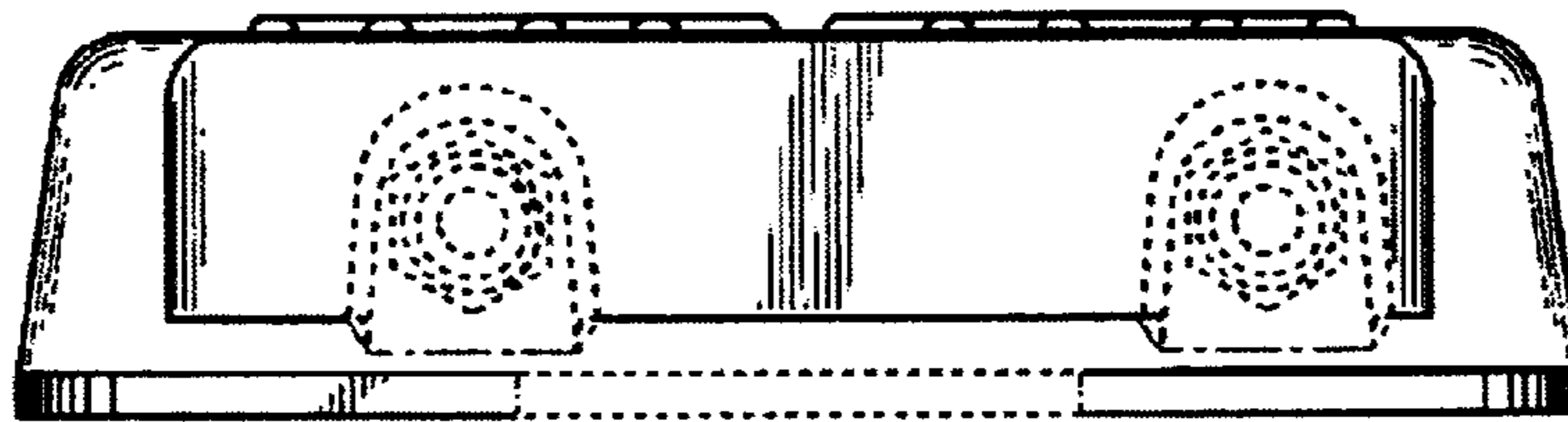


Fig. 2

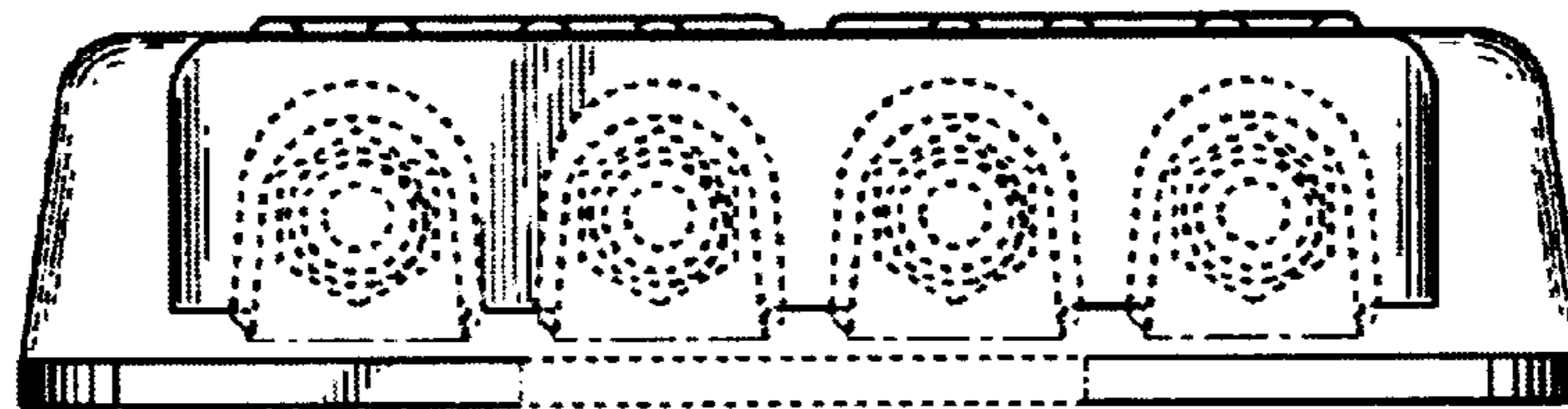


Fig. 3

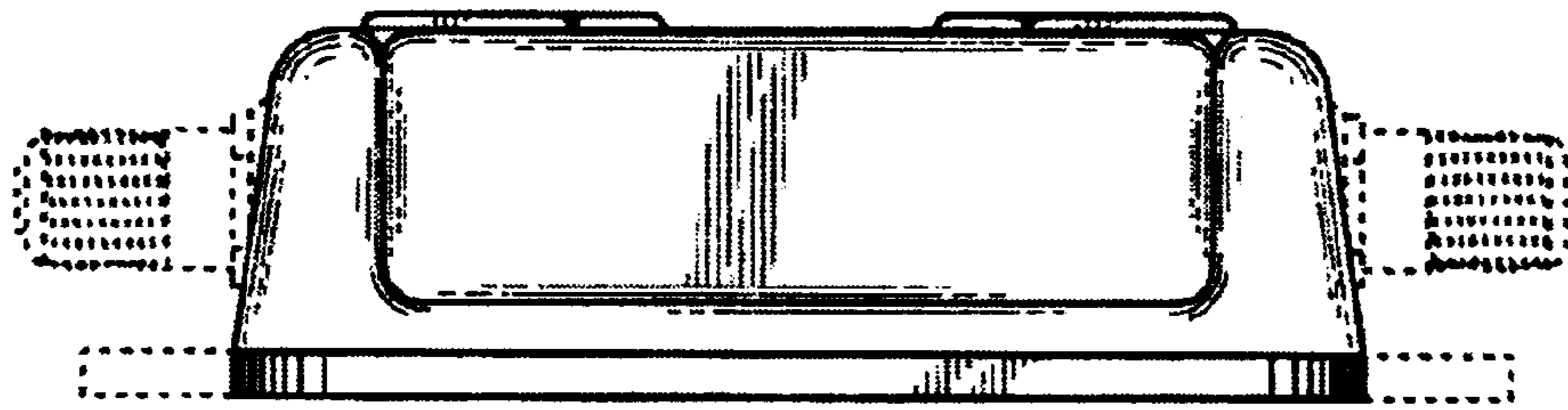


Fig. 4

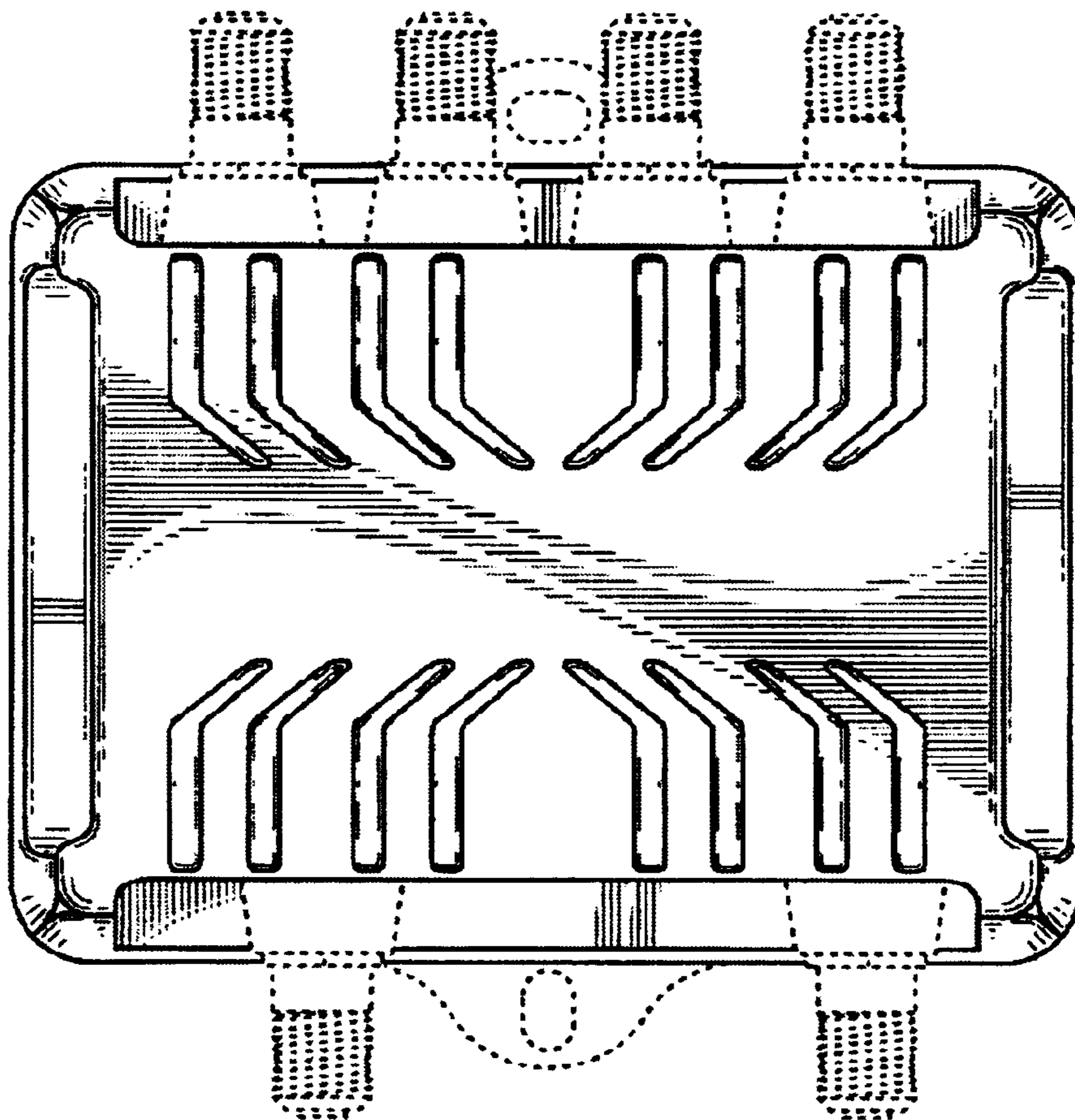


Fig. 5

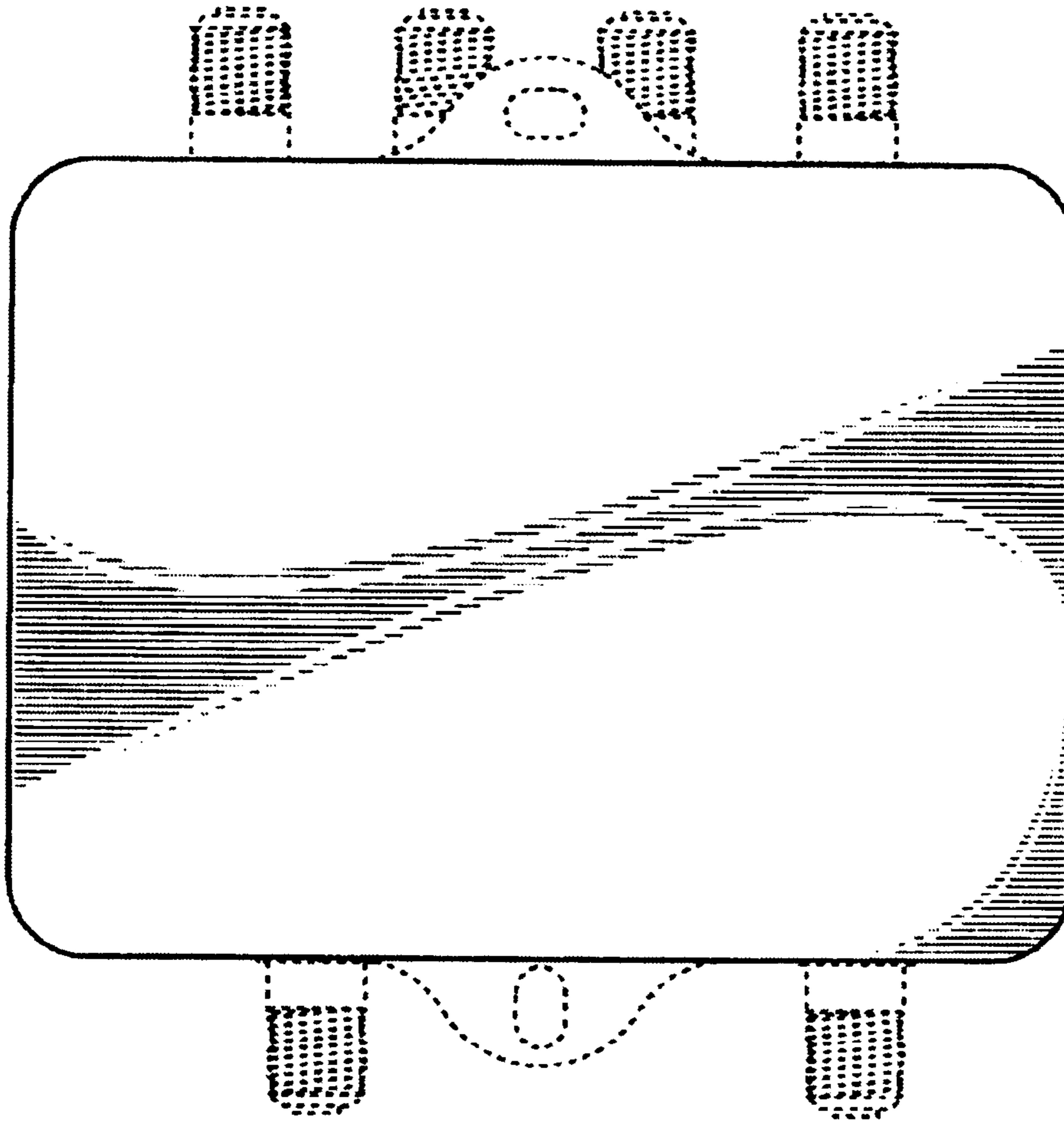


Fig. 6