

US00D521937S

(12) **United States Design Patent**  
**Nishio et al.**

(10) **Patent No.:** **US D521,937 S**  
(45) **Date of Patent:** **\*\* May 30, 2006**

(54) **CONNECTOR**

(75) Inventors: **Atsushi Nishio**, Tama (JP); **Yoshinori Ohta**, Tama (JP); **Yasuhiko Shinohara**, Tama (JP)

(73) Assignee: **Mitsumi Electric Co., Ltd.**, Tokyo (JP)

(\*\*) Term: **14 Years**

(21) Appl. No.: **29/223,251**

(22) Filed: **Feb. 14, 2005**

(30) **Foreign Application Priority Data**

Nov. 15, 2004 (JP) ..... 2004-034787

(51) **LOC (8) Cl.** ..... **13-03**

(52) **U.S. Cl.** ..... **D13/147**

(58) **Field of Classification Search** ..... D13/146,  
D13/147, 184, 199; 439/247-248, 350, 353,  
439/357, 489, 557, 567, 587, 595, 680, 750  
See application file for complete search history.

(56) **References Cited**

**U.S. PATENT DOCUMENTS**

3,335,393 A \* 8/1967 Anderson ..... 439/427  
5,267,882 A \* 12/1993 Davis ..... 439/680  
D344,491 S \* 2/1994 Nakamura ..... D13/147

D351,137 S \* 10/1994 Sato ..... D13/147  
5,464,355 A \* 11/1995 Rothenberger ..... 439/559  
D422,561 S \* 4/2000 Wu et al. .... D13/147  
D476,955 S \* 7/2003 Ushiro et al. .... D13/147  
D500,737 S \* 1/2005 Shao ..... D13/147

\* cited by examiner

*Primary Examiner*—Stella Reid

*Assistant Examiner*—Daniel Bui

(74) *Attorney, Agent, or Firm*—Sughrue Mion, PLLC

(57) **CLAIM**

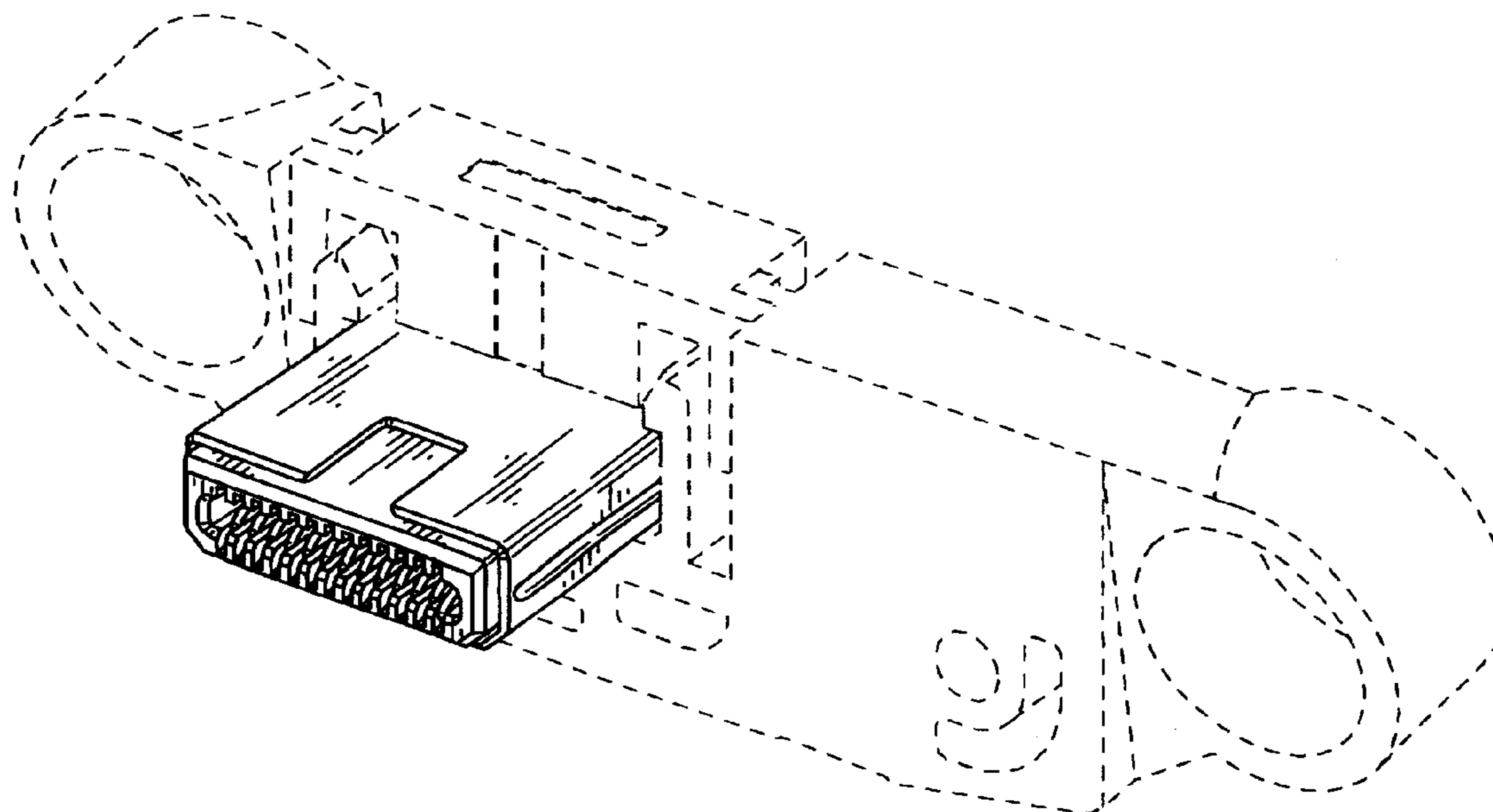
The ornamental design for a connector, as shown and described.

**DESCRIPTION**

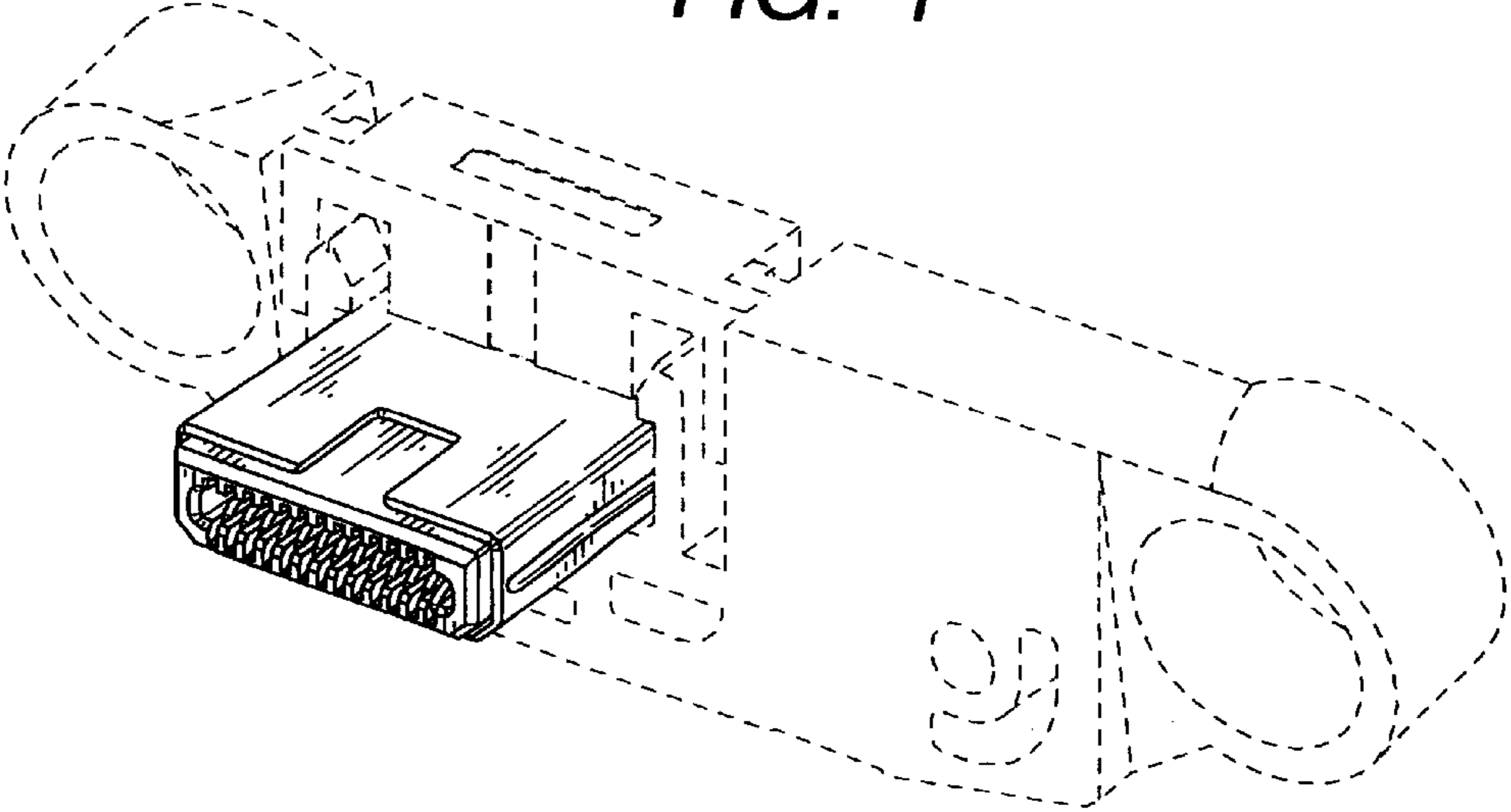
FIG. 1 is a perspective view of the front, top, and right side of a connector showing our new design; FIG. 2 is a front elevational view thereof; FIG. 3 is a rear elevational view thereof; FIG. 4 is a right side elevational view thereof; FIG. 5 is a left side elevational view thereof; FIG. 6 is a top plan view thereof; and, FIG. 7 is a bottom plan view thereof.

The elements shown in broken lines are for illustrative purposes only and form no part of the claimed design.

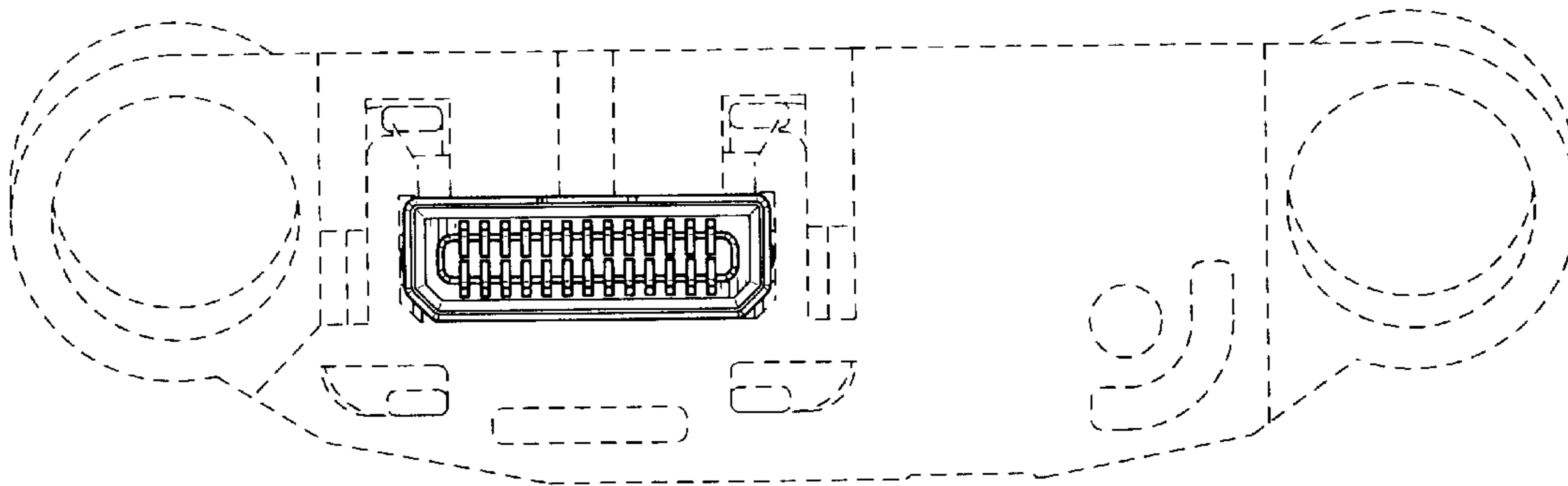
**1 Claim, 4 Drawing Sheets**



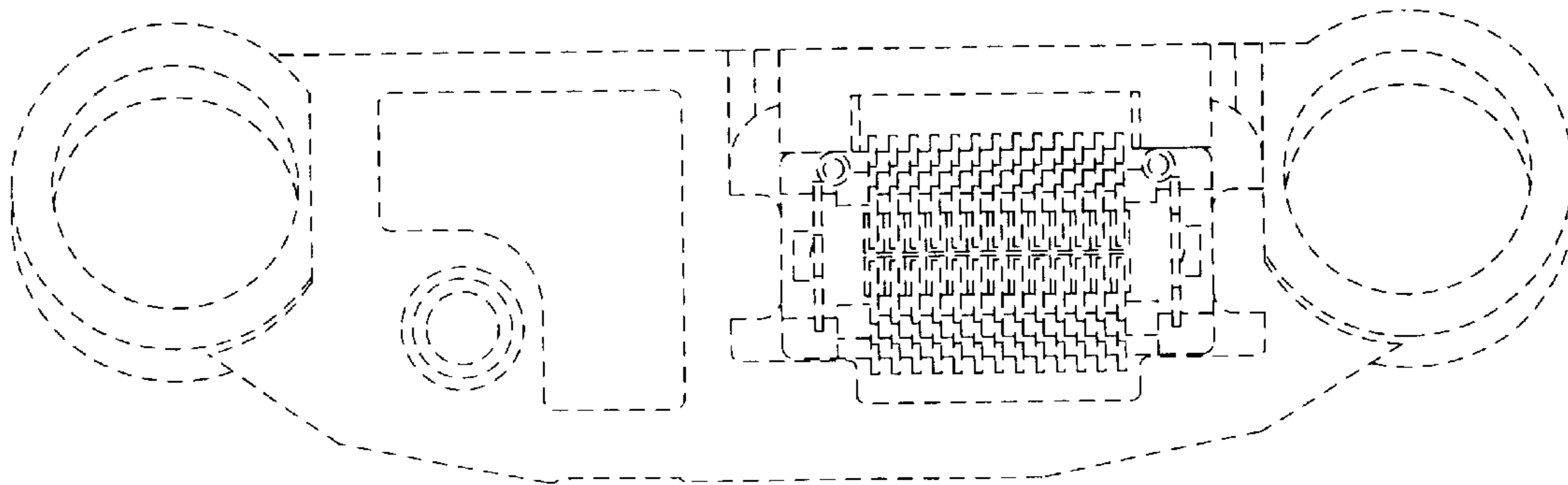
*FIG. 1*



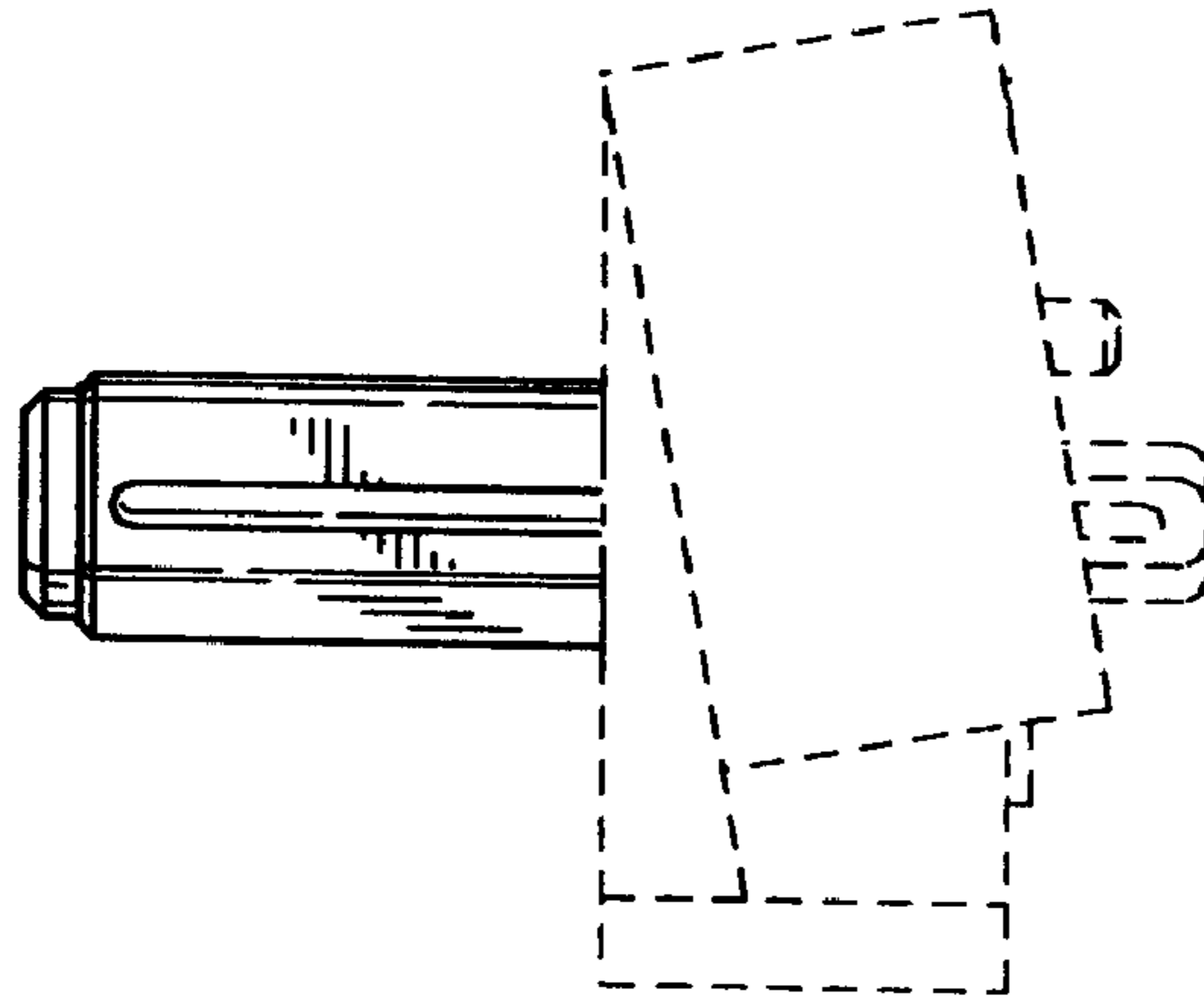
*FIG. 2*



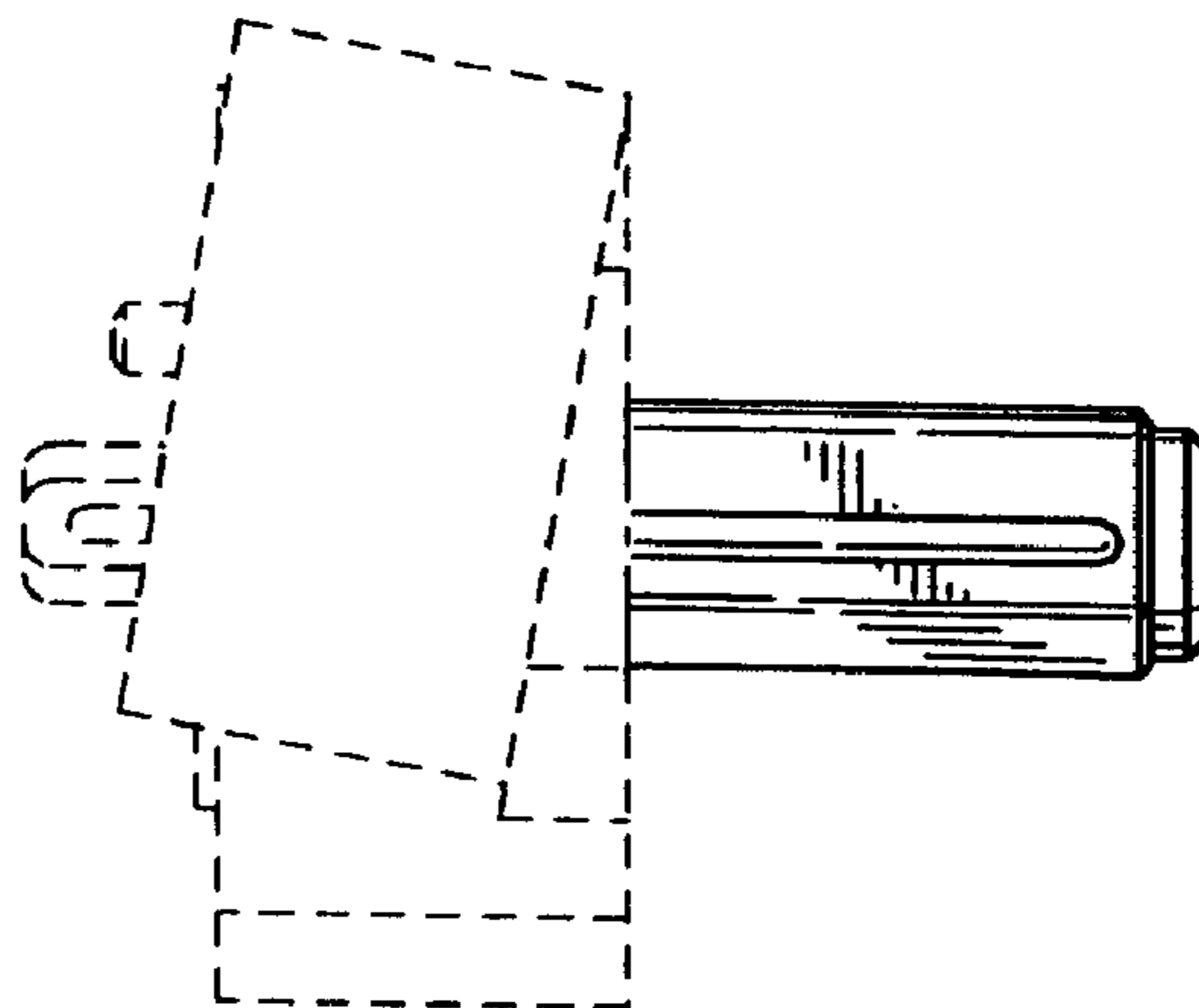
*FIG. 3*



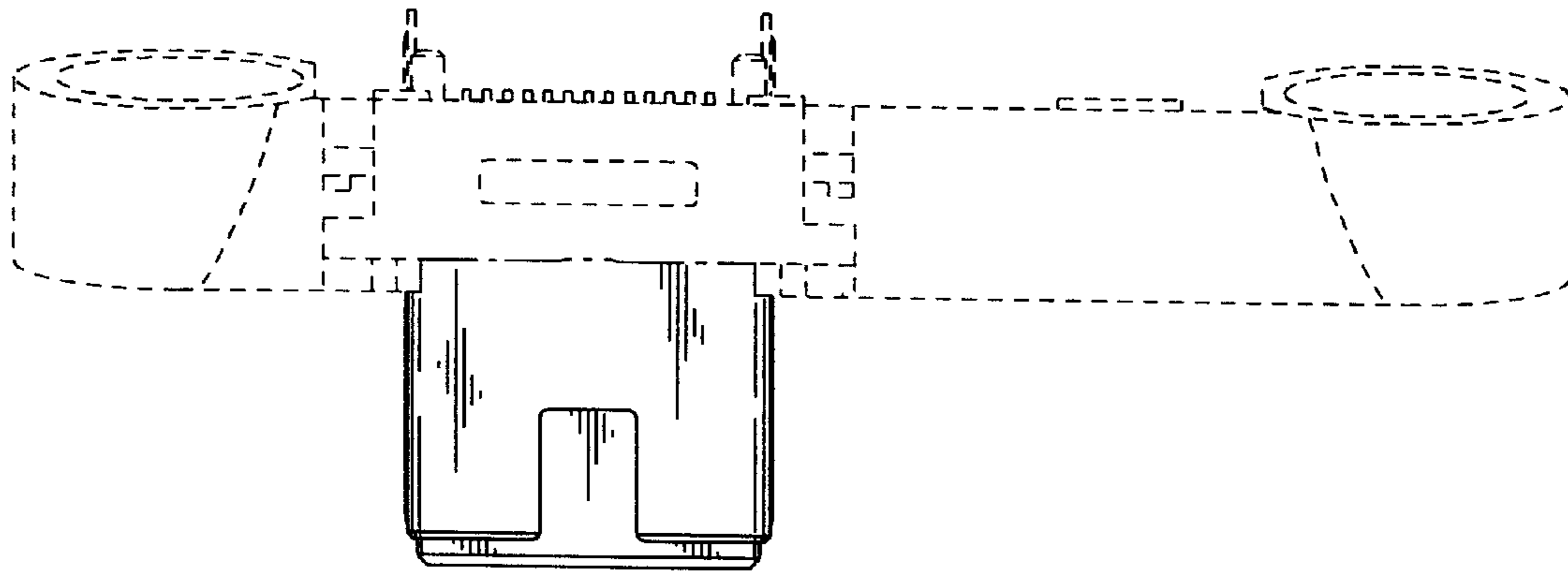
**FIG. 4**



**FIG. 5**



*FIG. 6*



*FIG. 7*

