



US00D521936S

(12) **United States Design Patent**
Novotney et al.

(10) **Patent No.:** **US D521,936 S**

(45) **Date of Patent:** **** May 30, 2006**

(54) **CONNECTOR SYSTEM**

(75) Inventors: **Donald J. Novotney**, San Jose, CA (US); **Evans Hankey**, San Francisco, CA (US); **Stephen Zadesky**, San Carlos, CA (US); **Timothy J. Wells**, Santa Clara, CA (US)

(73) Assignee: **Apple Computer, Inc.**, Cupertino, CA (US)

(**) Term: **14 Years**

(21) Appl. No.: **29/220,892**

(22) Filed: **Jan. 7, 2005**

(51) **LOC (8) Cl.** **13-03**

(52) **U.S. Cl.** **D13/147**

(58) **Field of Classification Search** D13/133, D13/146-147, 154, 199; 439/79, 108, 607-610
See application file for complete search history.

(56) **References Cited**

U.S. PATENT DOCUMENTS

4,632,486	A	*	12/1986	Hasircoglu	439/394
D339,791	S	*	9/1993	Lucey et al.	D13/147
D380,196	S	*	6/1997	Aramaki	D13/147
D418,479	S	*	1/2000	Chiou	D13/147
6,336,827	B1	*	1/2002	Akama et al.	439/610

D465,459	S	*	11/2002	Zhu et al.	D13/147
D479,200	S	*	9/2003	Liu et al.	D13/147
6,758,685	B1	*	7/2004	Huang et al.	439/79
D500,737	S	*	1/2005	Shao	D13/147
D502,146	S	*	2/2005	Lai et al.	D13/147

* cited by examiner

Primary Examiner—Stella Reid

Assistant Examiner—Daniel Bui

(74) *Attorney, Agent, or Firm*—Sawyer Law Group LLP

(57) **CLAIM**

The ornamental design for a connector system, as shown and described.

DESCRIPTION

FIG. 1 is a first perspective view of a connector system, showing our new design;

FIG. 2 is a second perspective view thereof;

FIG. 3 is a front view thereof;

FIG. 4 is a back view thereof;

FIG. 5 is a top view thereof;

FIG. 6 is a bottom view thereof;

FIG. 7 is a first side view thereof; and,

FIG. 8 is a second side view thereof.

The broken line showing of the environment is for illustrative purposes only and forms no part of the claimed design.

1 Claim, 6 Drawing Sheets

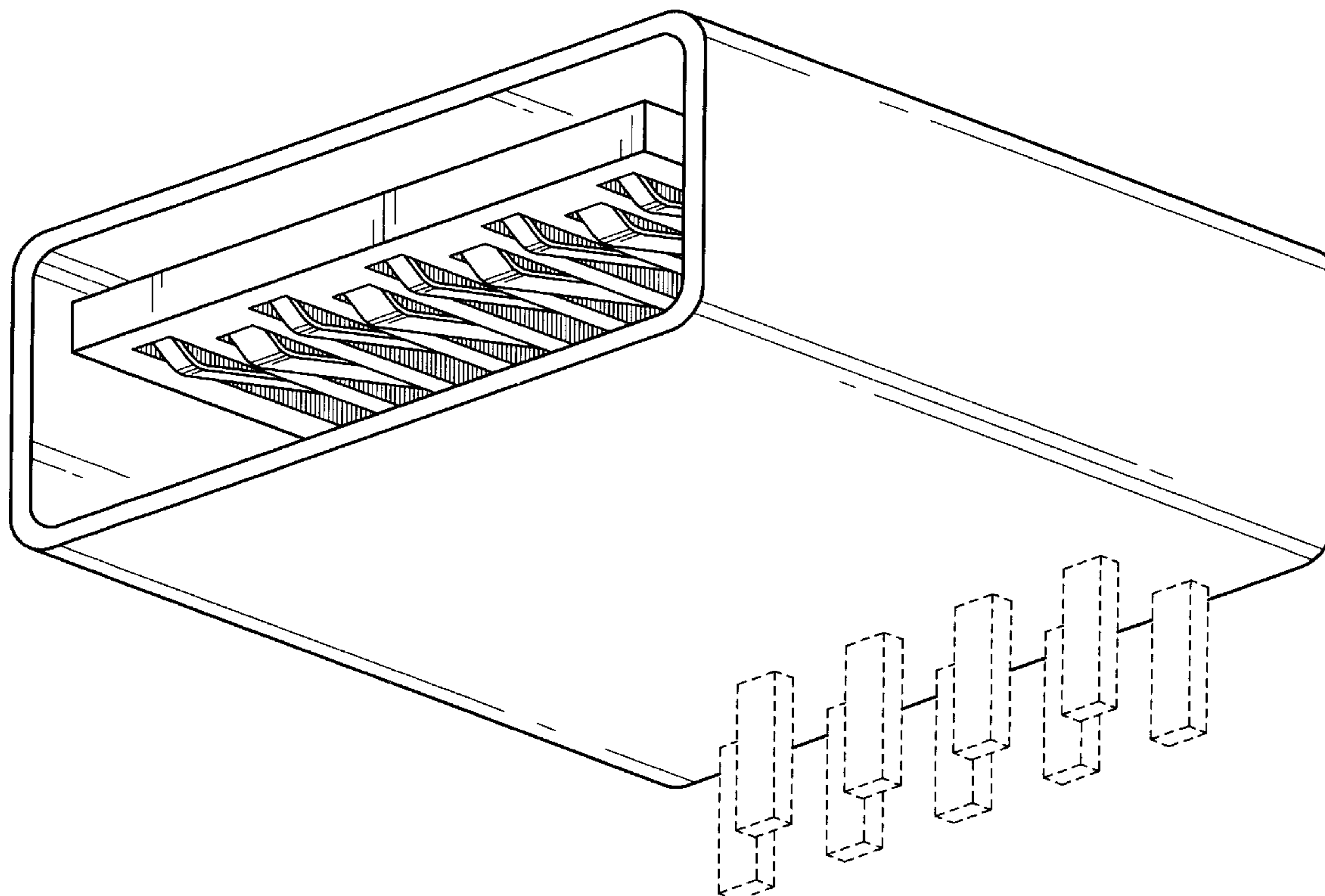


FIG. 1

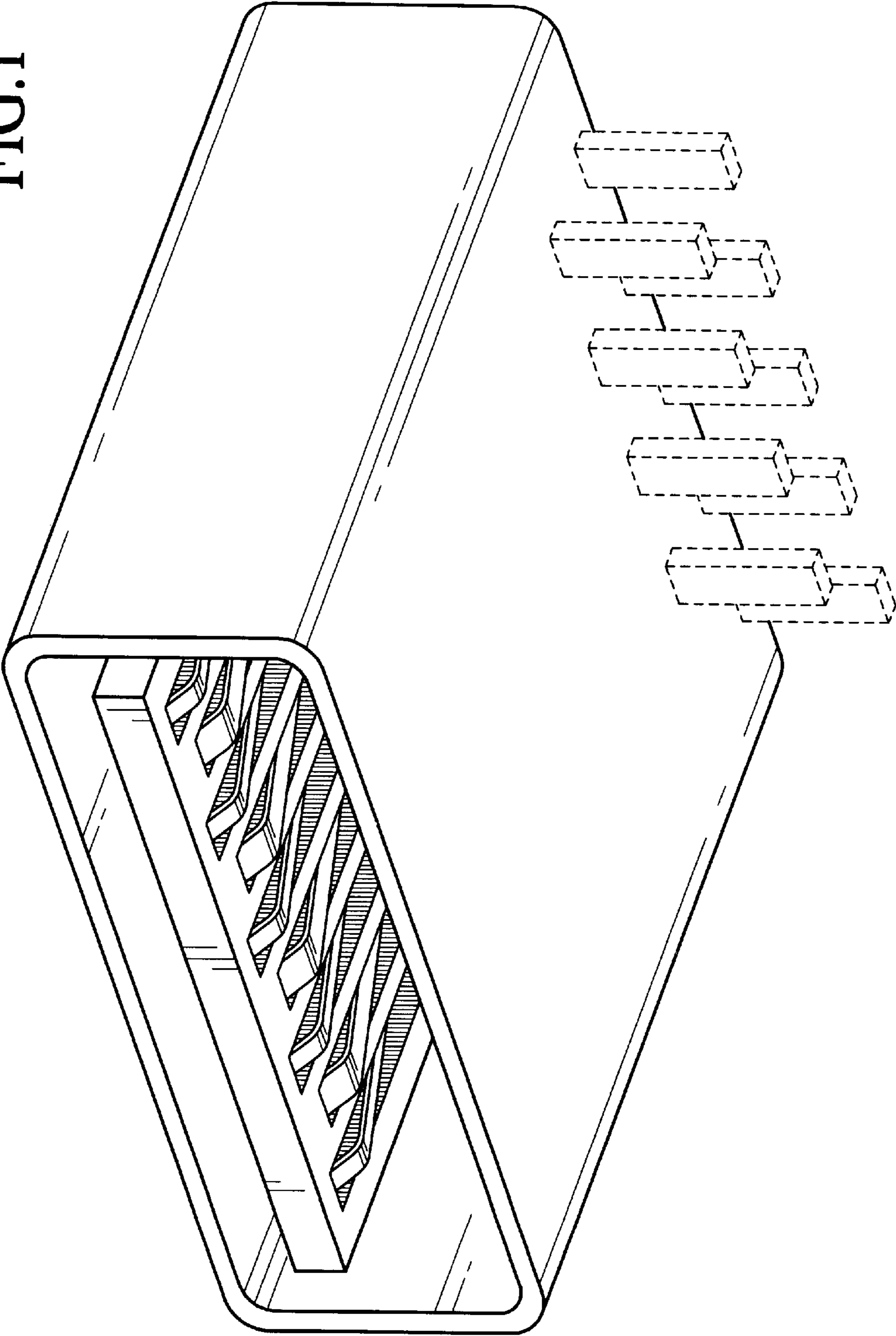
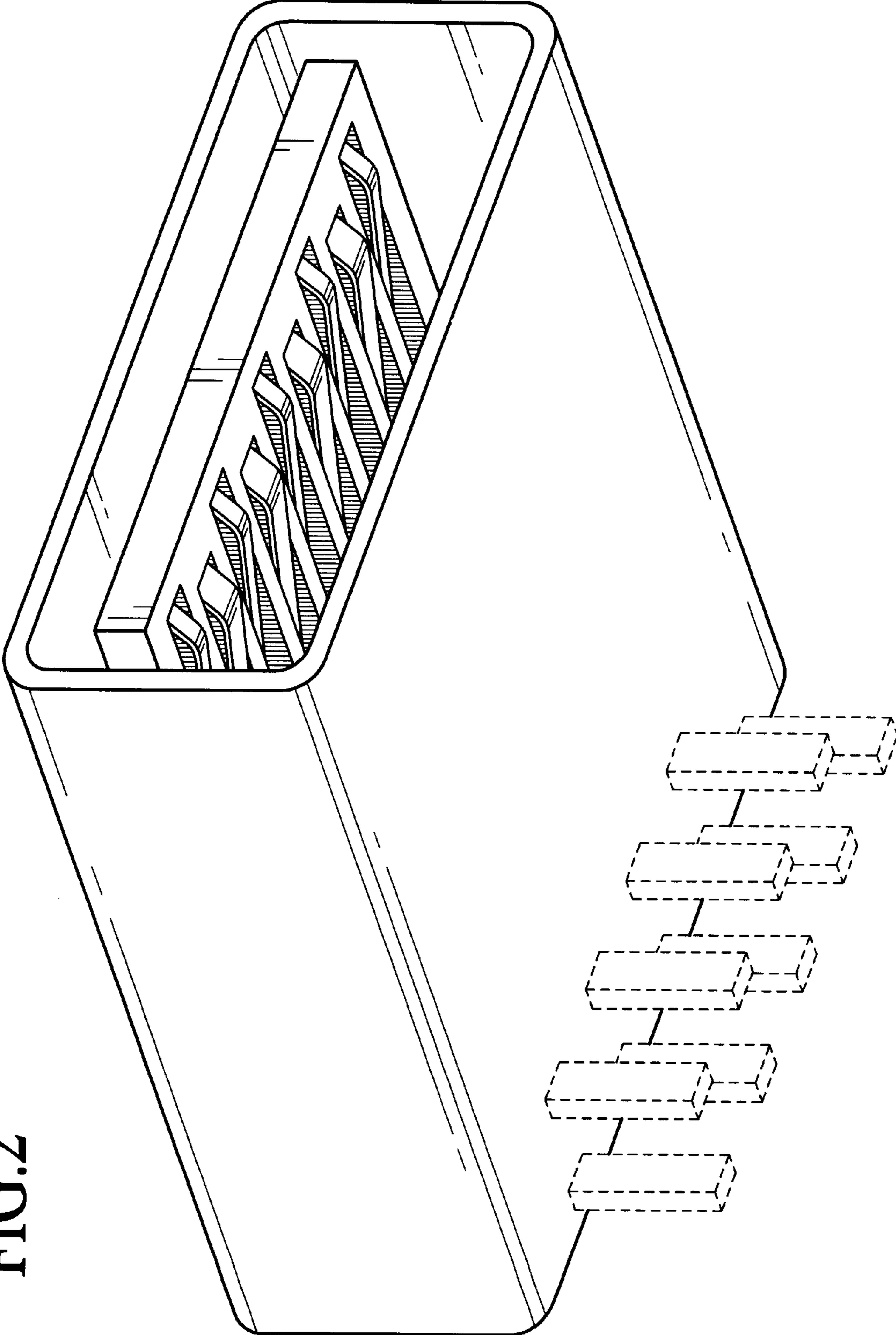


FIG.2



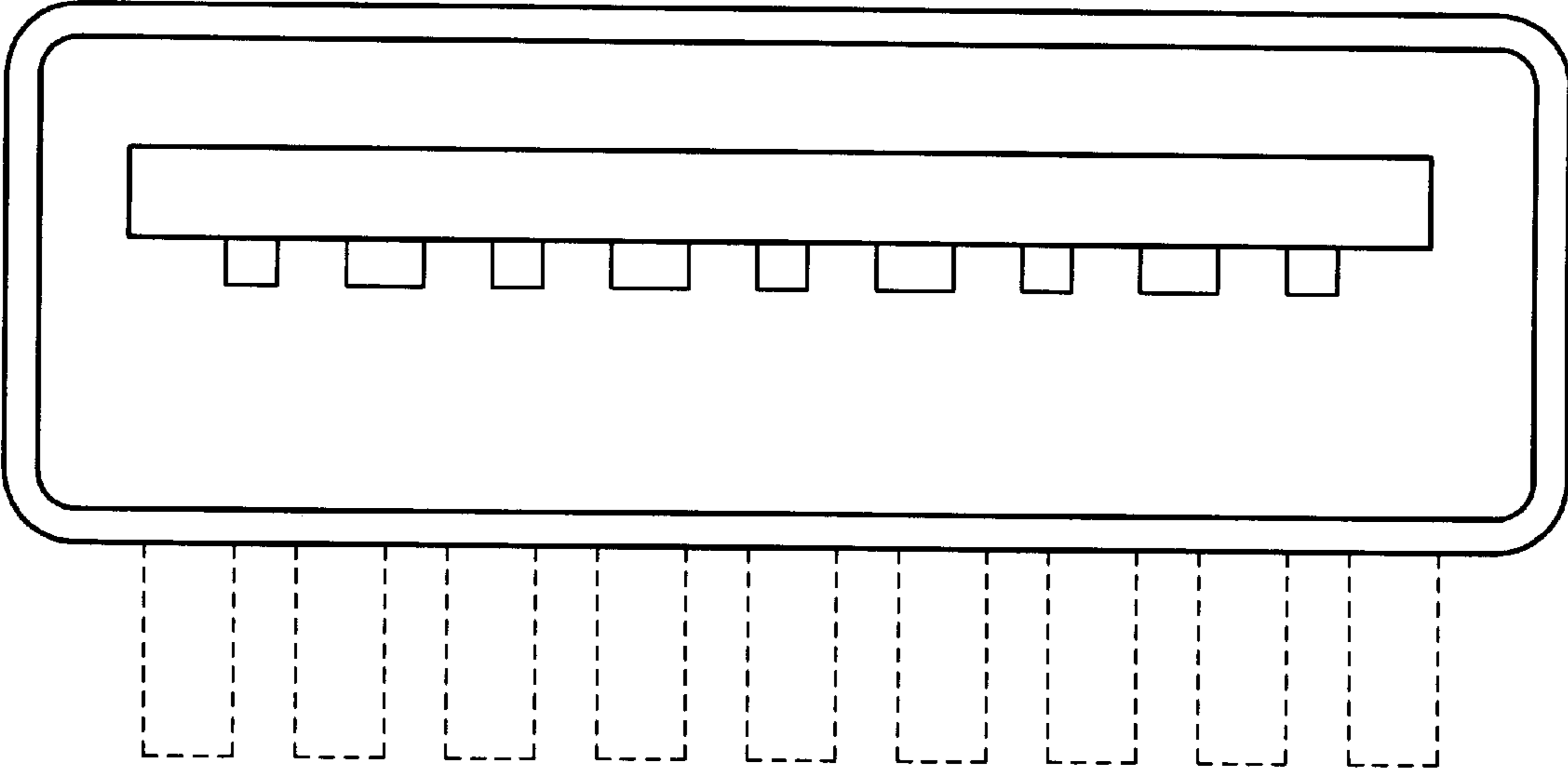


FIG.3

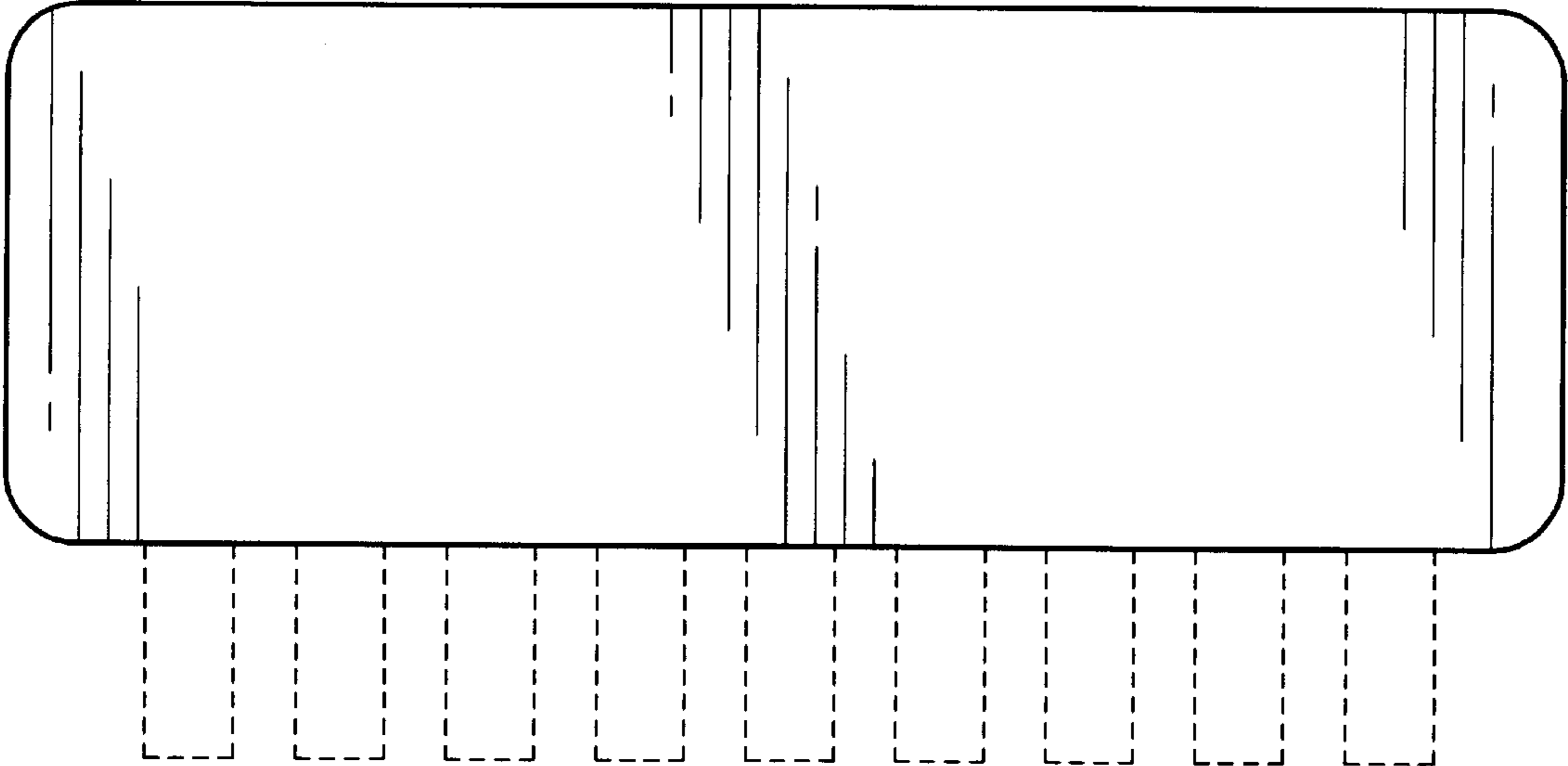


FIG.4

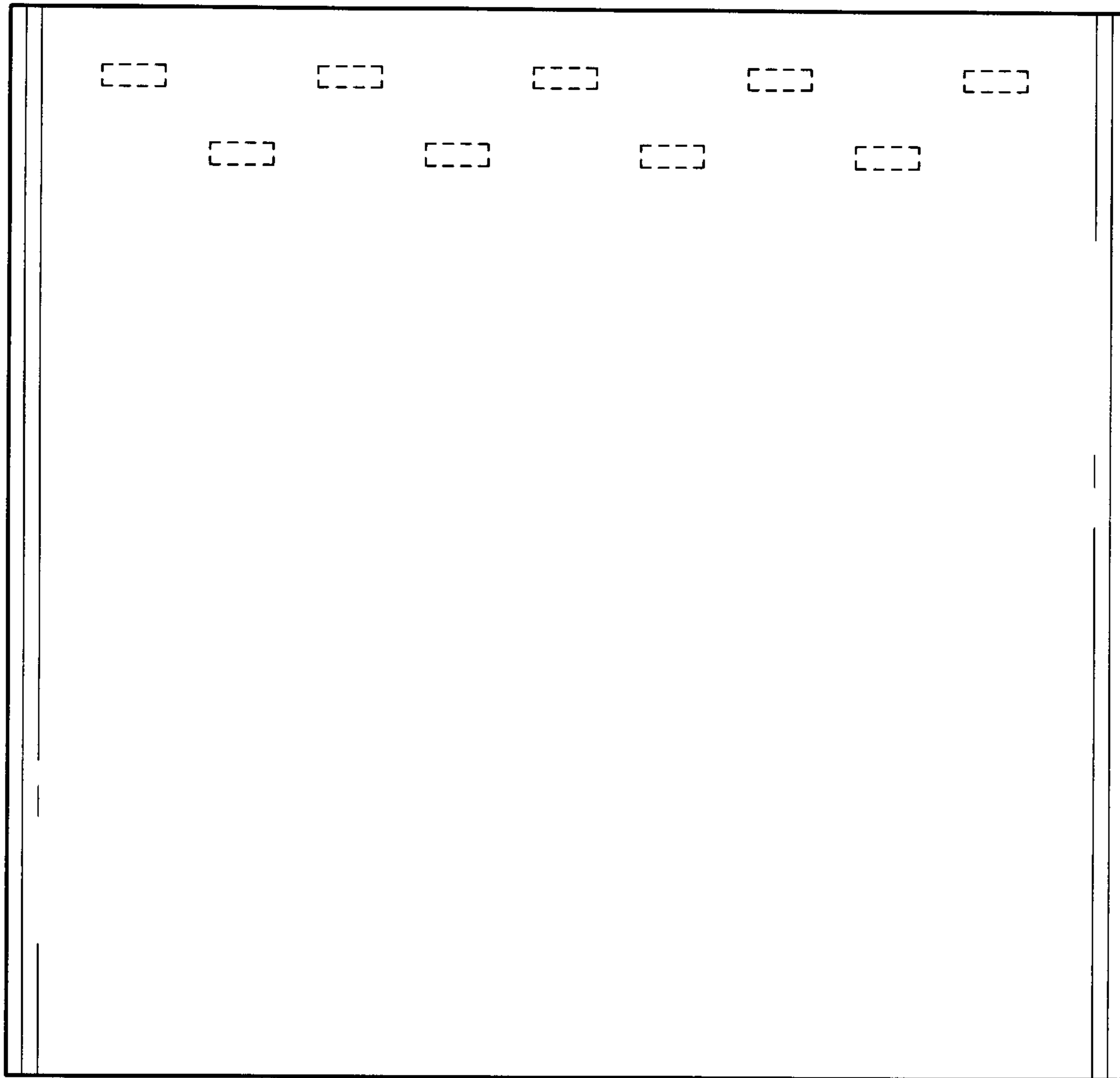


FIG.5

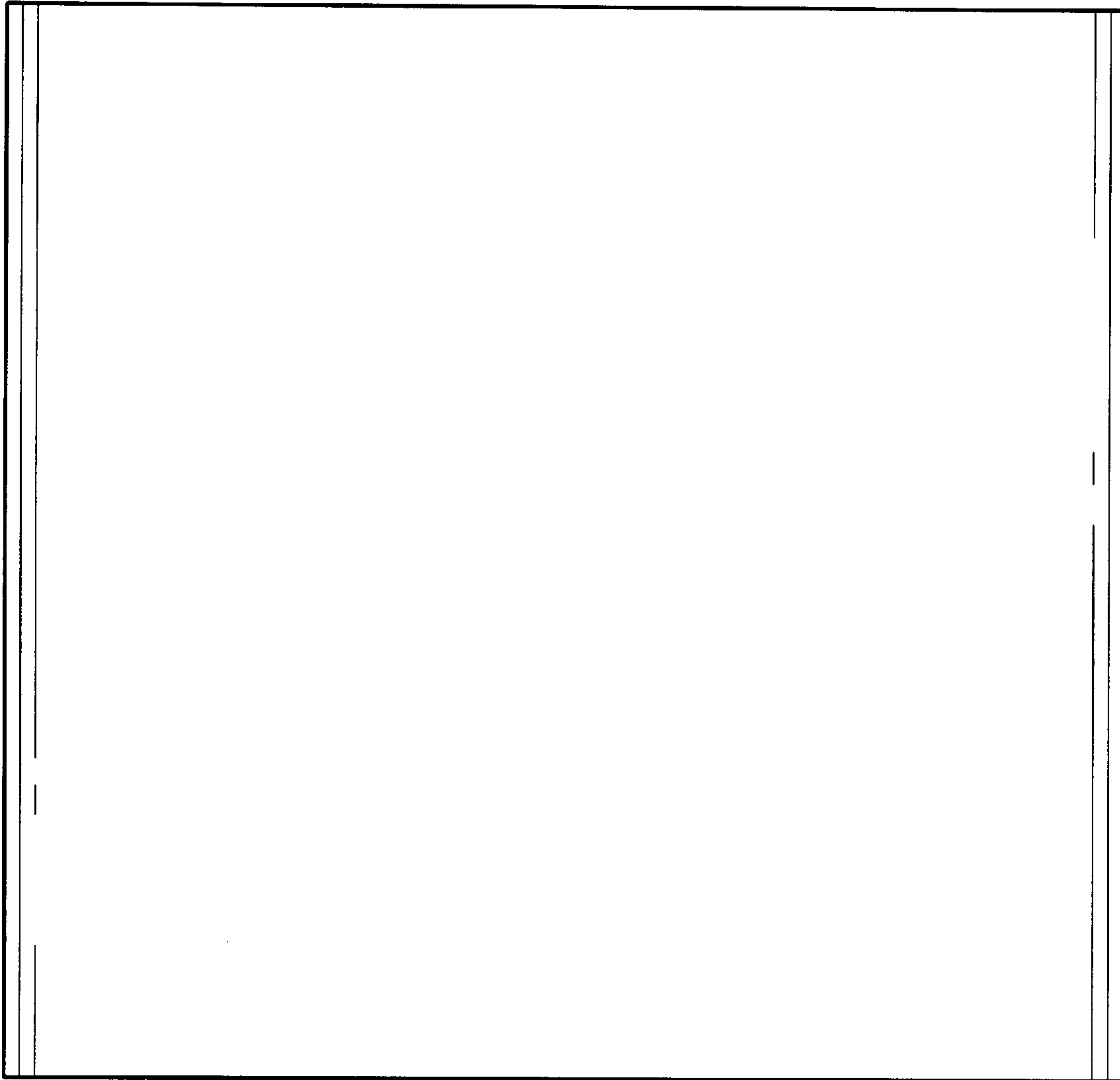


FIG.6

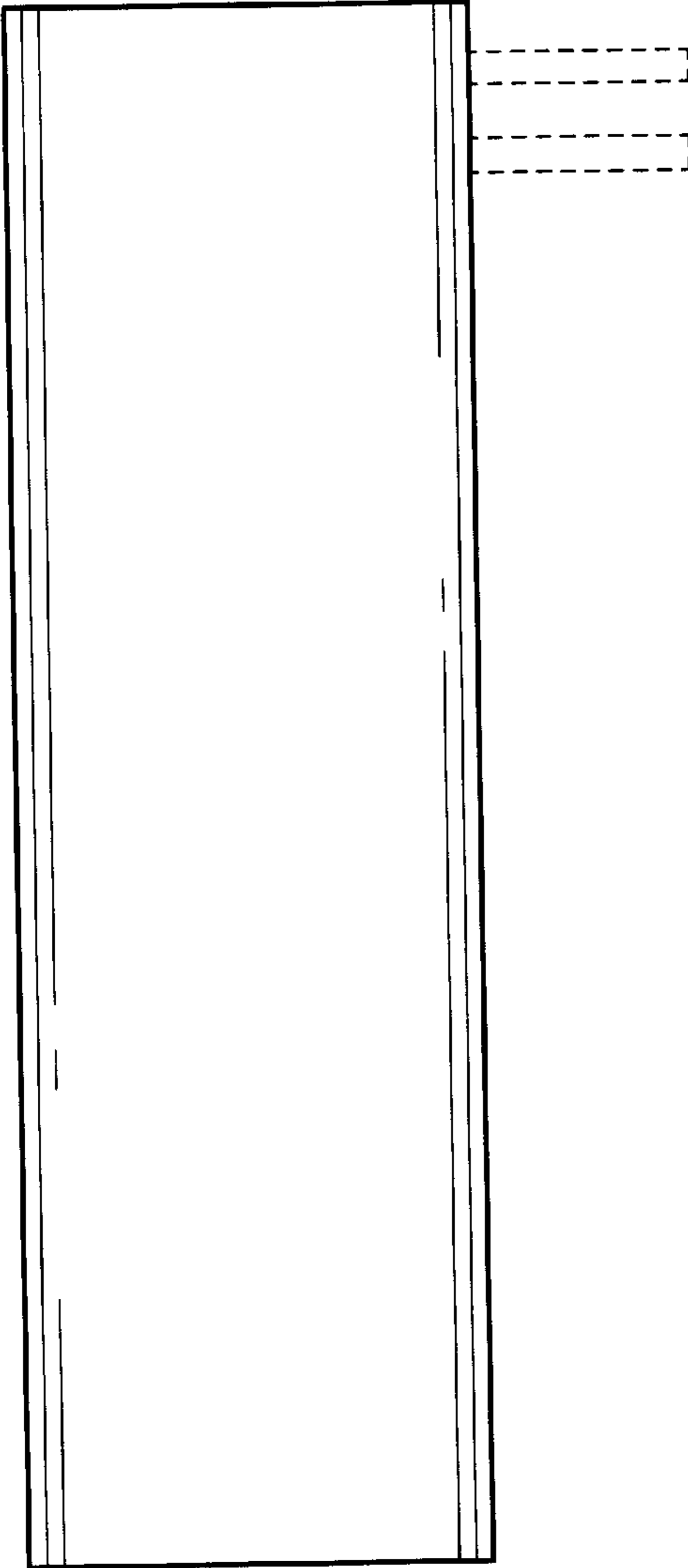


FIG. 7

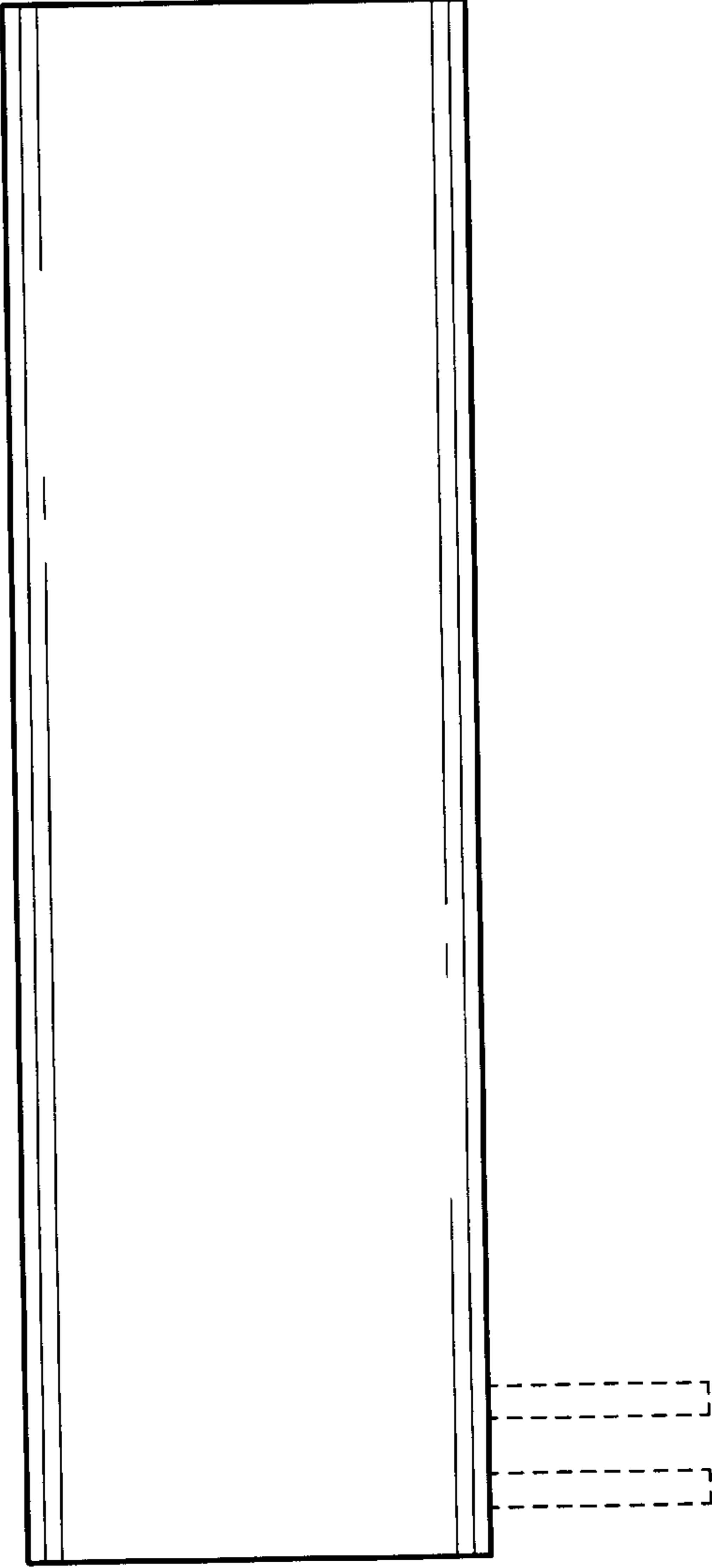


FIG. 8