



US00D521934S

(12) **United States Design Patent**
Zhuang et al.

(10) **Patent No.:** **US D521,934 S**

(45) **Date of Patent:** **** May 30, 2006**

(54) **POWER CONNECTOR**

(75) Inventors: **Quan Zhuang**, Kunsan (CN);
ZhiQiang Chen, Kunsan (CN);
Hao-Dong Zhao, Kunsan (CN); **Bing Pen**, Kunsan (CN)

(73) Assignee: **Hon Hai Precision Ind. Co., Ltd.**,
Taipei Hsien (TW)

(**) Term: **14 Years**

(21) Appl. No.: **29/214,607**

(22) Filed: **Oct. 5, 2004**

(30) **Foreign Application Priority Data**

Apr. 15, 2004 (CN) 2004300179004

(51) **LOC (8) Cl.** **13-03**

(52) **U.S. Cl.** **D13/147**

(58) **Field of Classification Search** D13/133,
D13/146-147, 154, 199; 439/352, 465, 595,
439/607, 680, 752

See application file for complete search history.

(56) **References Cited**

U.S. PATENT DOCUMENTS

4,940,420 A * 7/1990 Munie 439/272

D310,994 S	*	10/1990	Yagi et al.	D13/146
D310,995 S	*	10/1990	Yamamoto	D13/147
D324,032 S	*	2/1992	Sueyoshi et al.	D13/147
5,603,641 A	*	2/1997	Kuhn et al.	439/680
D415,999 S	*	11/1999	Esposito	D13/162
6,171,136 B1	*	1/2001	Liu et al.	439/466
6,482,045 B1	*	11/2002	Arai	439/680
D503,150 S	*	3/2005	Yamawaki et al.	D13/147
6,964,582 B1	*	11/2005	Zhuang et al.	439/607
2005/0124218 A1	*	6/2005	Chen et al.	439/607

* cited by examiner

Primary Examiner—Stella Reid

Assistant Examiner—Daniel Bui

(74) *Attorney, Agent, or Firm*—Wei Te Chung

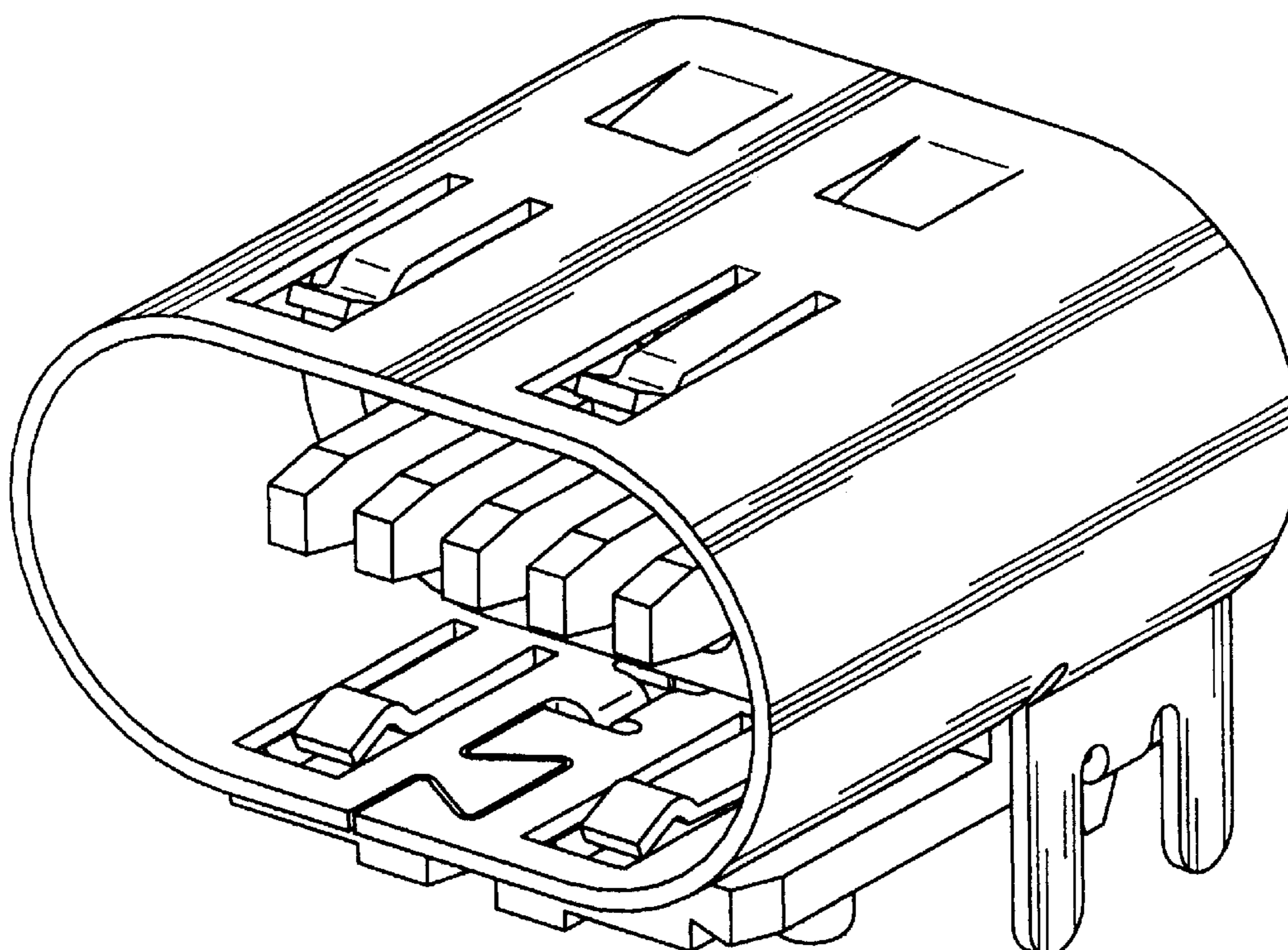
(57) **CLAIM**

The ornamental design for a power connector, as shown.

DESCRIPTION

FIG. 1 is a front, top and right side perspective view of a power connector showing our new design; FIG. 2 is a front elevational view thereof; FIG. 3 is a rear elevational view thereof; FIG. 4 is a left side elevational view thereof; FIG. 5 is a right side elevational view thereof; FIG. 6 is a top plan view thereof; and, FIG. 7 is a bottom plan view thereof.

1 Claim, 7 Drawing Sheets



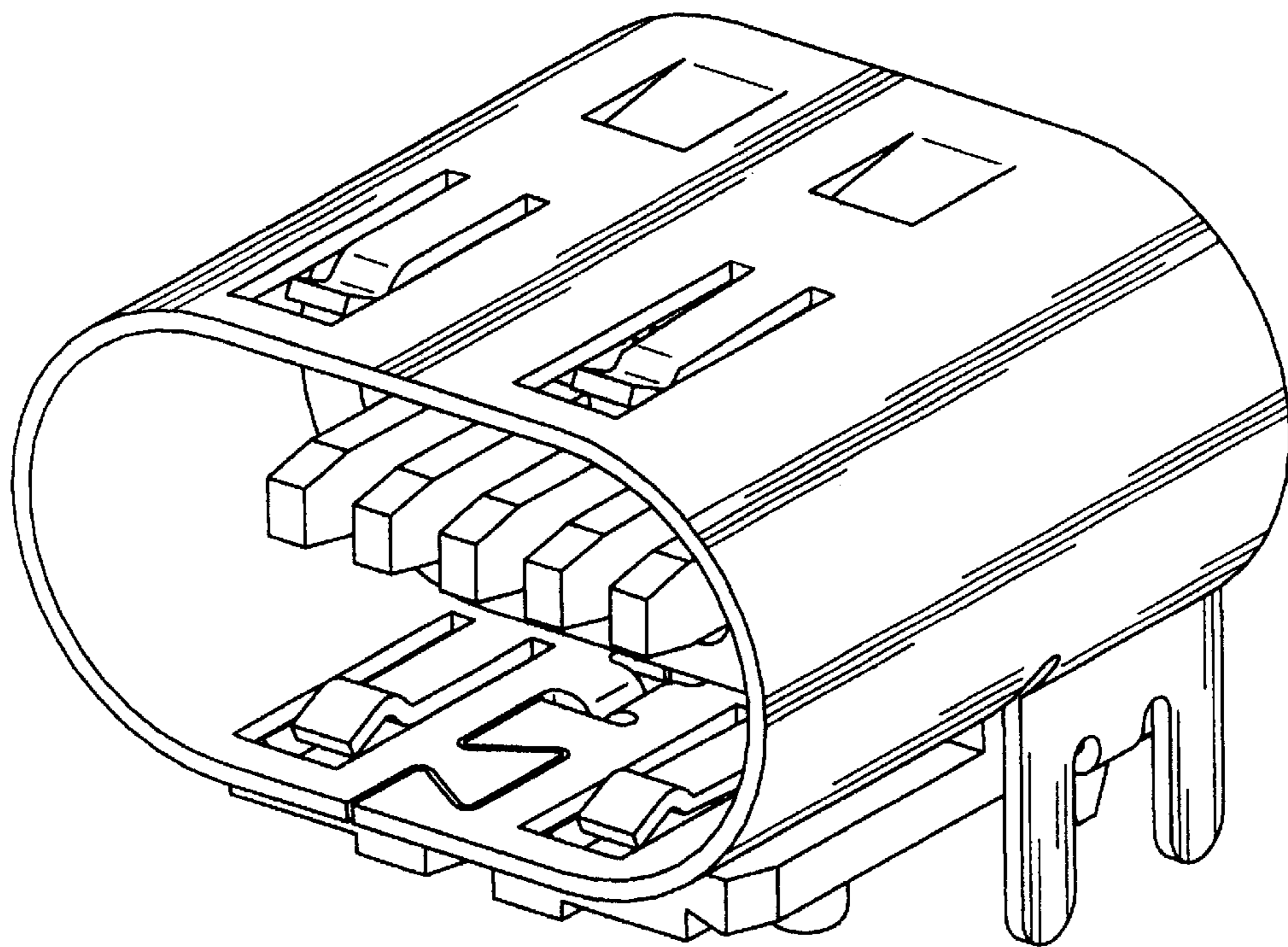


FIG. 1

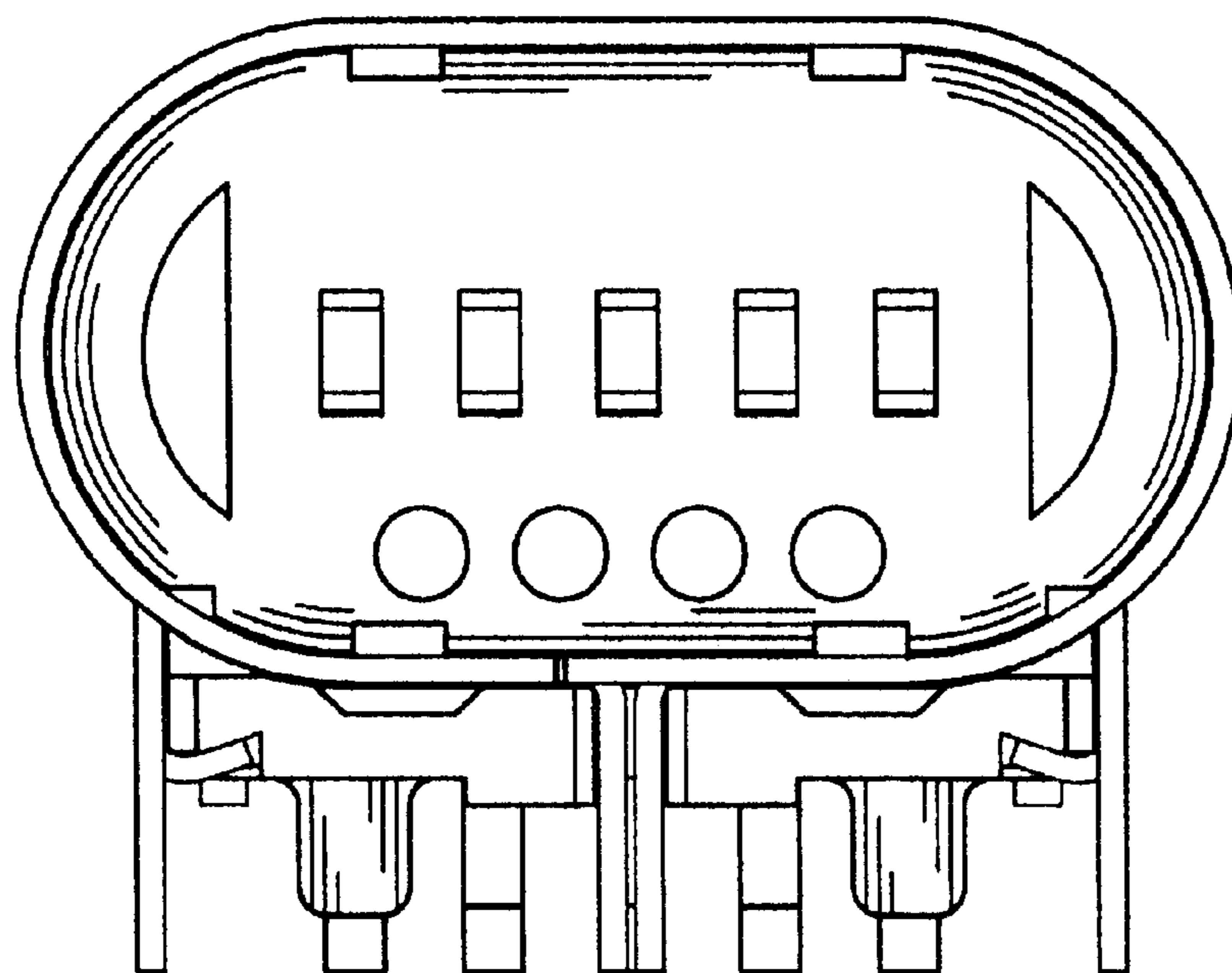


FIG. 2

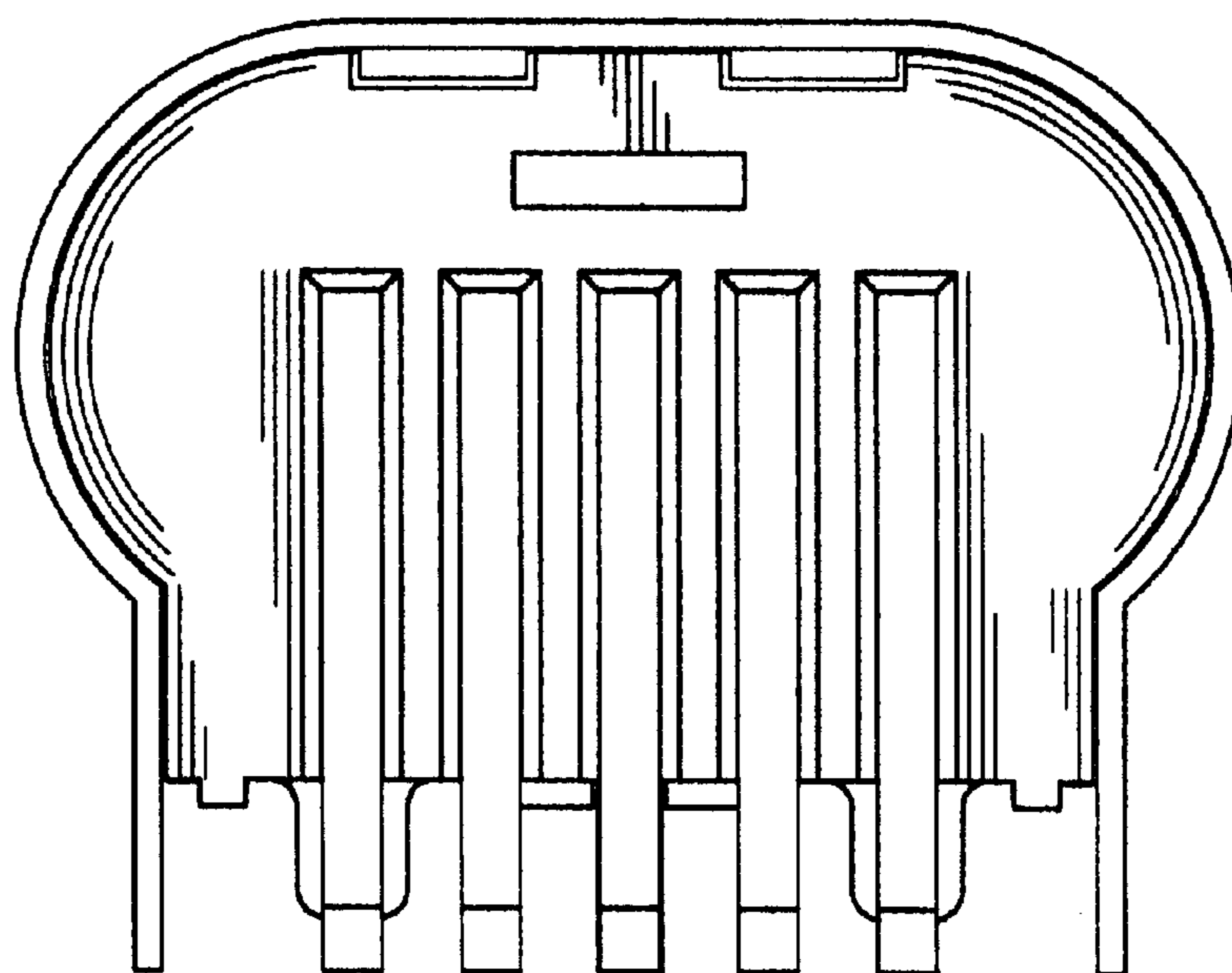


FIG. 3

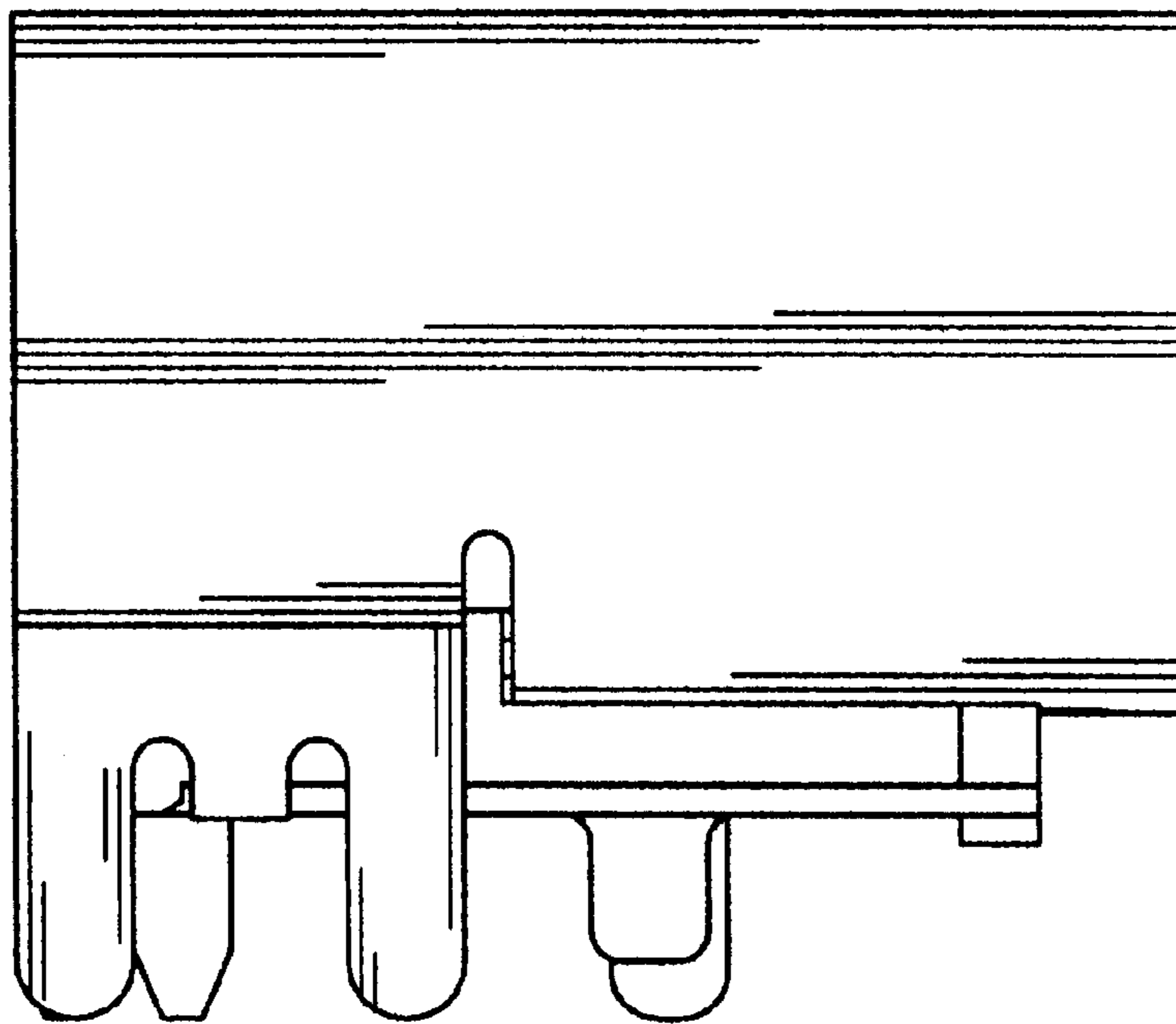


FIG. 4

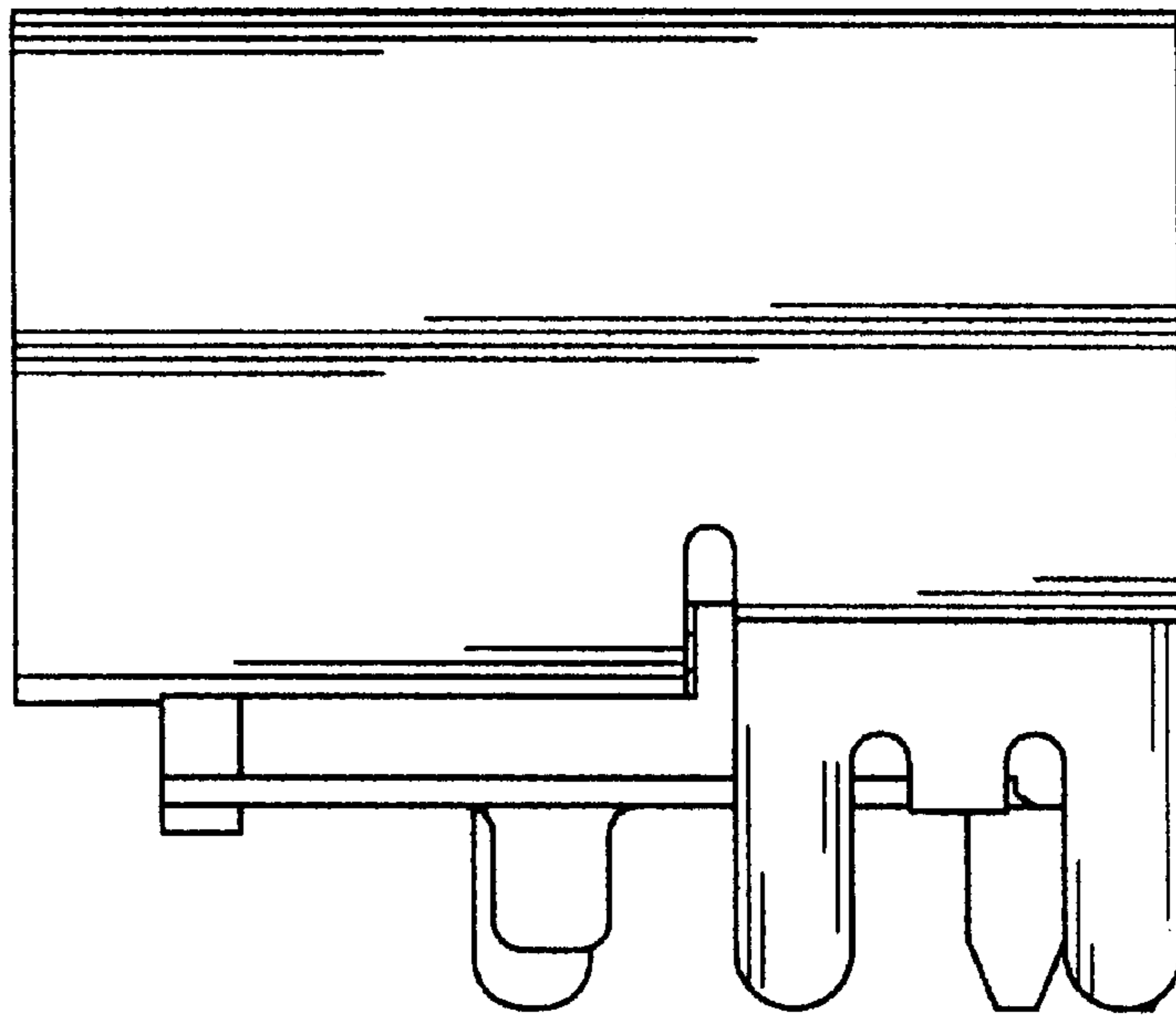


FIG. 5

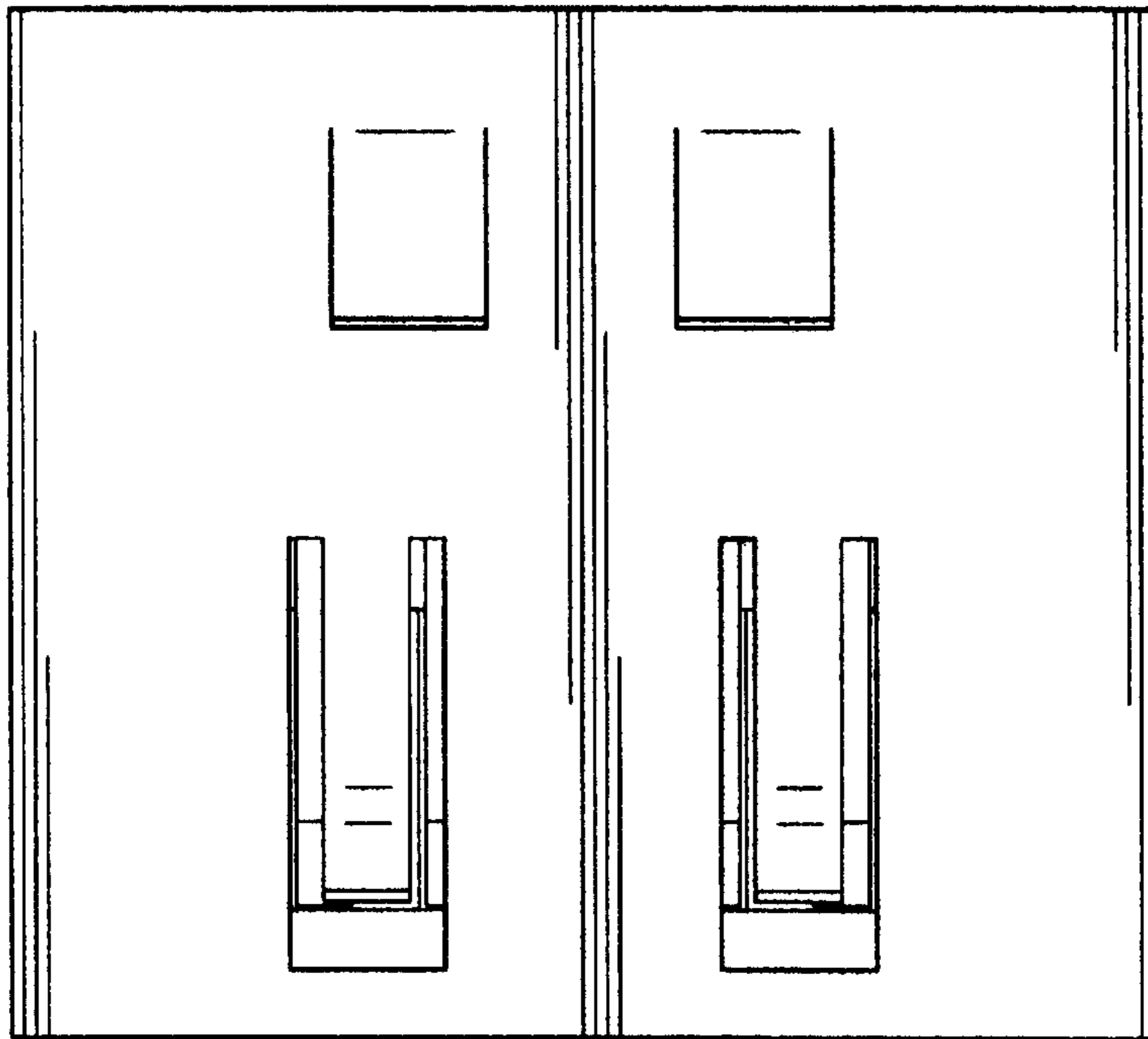


FIG. 6

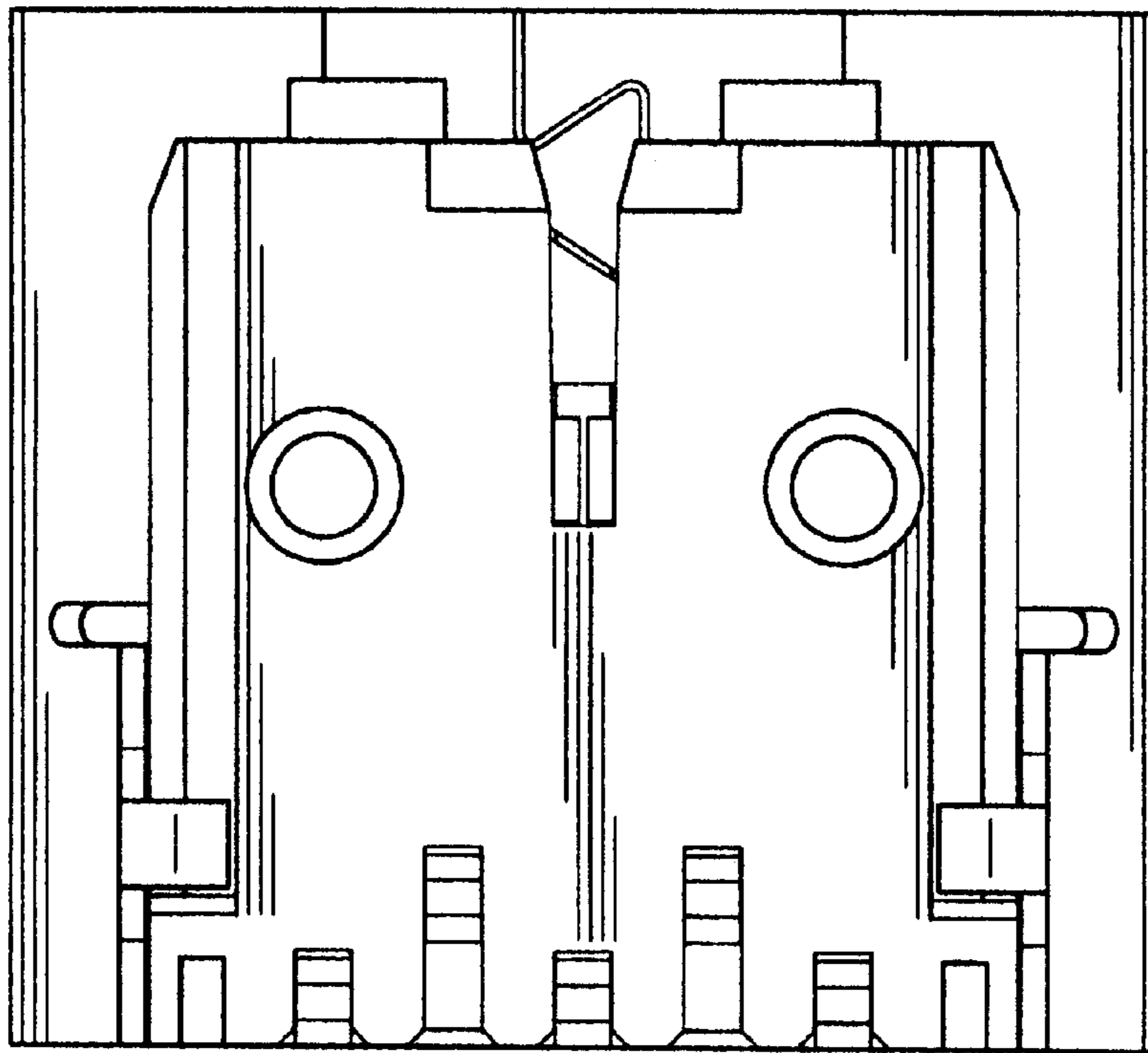


FIG. 7